



US00D466187S

(12) **United States Design Patent**
Kuo

(10) **Patent No.:** **US D466,187 S**

(45) **Date of Patent:** **** Nov. 26, 2002**

(54) **SPRAY HANDLE**

D453,548 S * 2/2002 Wang D23/226

(76) Inventor: **Wen-Li Kuo**, 235 Chung-Ho Box 8-24,
Taipei (TW)

* cited by examiner

Primary Examiner—Robin V. Taylor

(**) Term: **14 Years**

(57) **CLAIM**

(21) Appl. No.: **29/151,623**

The ornamental design for a spray handle, as shown and described.

(22) Filed: **Dec. 10, 2001**

DESCRIPTION

(51) **LOC (7) Cl.** **23-01**

(52) **U.S. Cl.** **D23/226**

(58) **Field of Search** D23/213, 226,
D23/223; 239/525-527

FIG. 1 is a front view of a spray handle showing my new design;

FIG. 2 is a rear view thereof;

FIG. 3 is a left side view thereof;

FIG. 4 is a right side view thereof;

FIG. 5 is an upper view thereof;

FIG. 6 is a bottom view thereof; and,

FIG. 7 is a perspective view thereof.

(56) **References Cited**

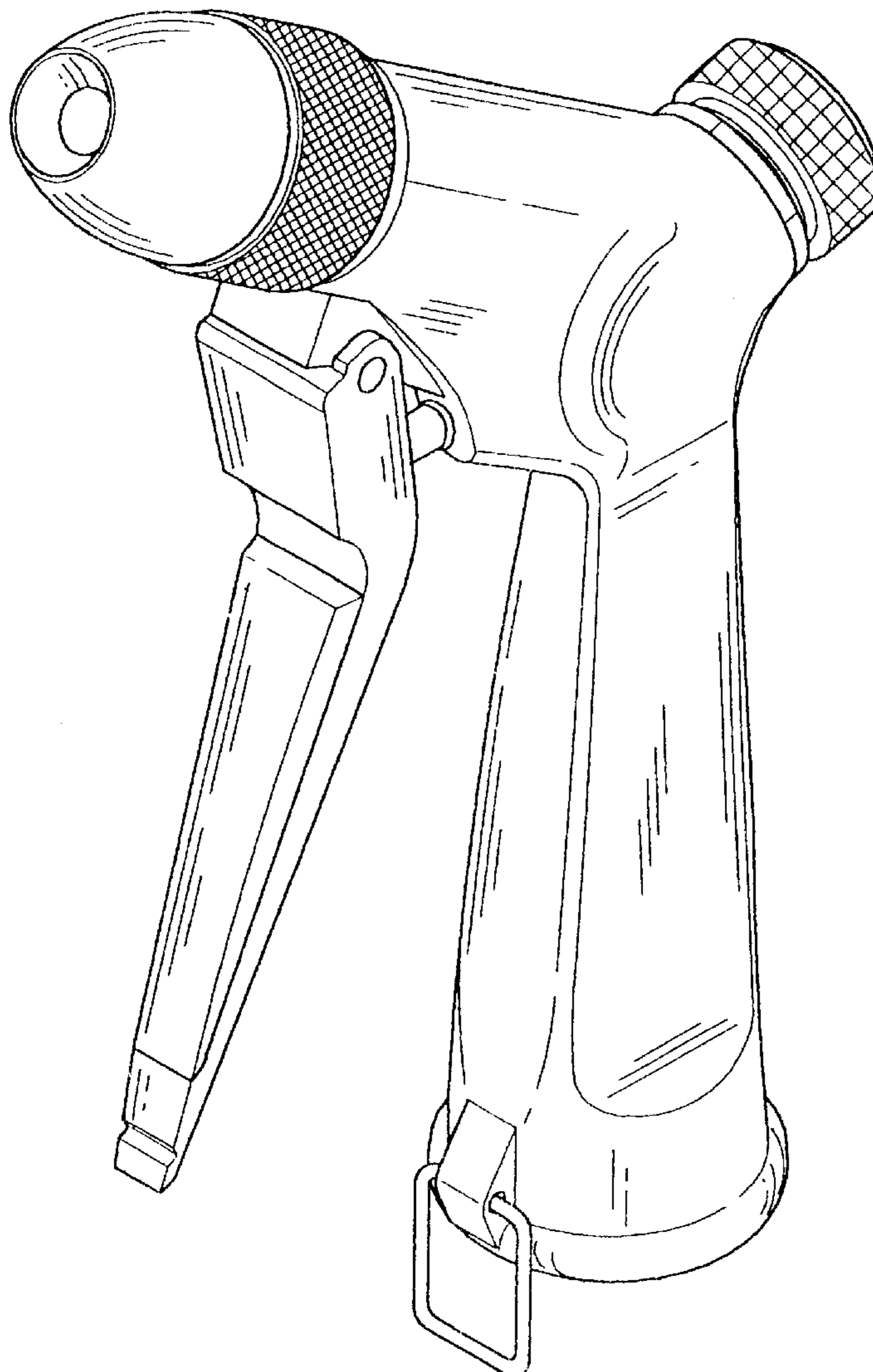
U.S. PATENT DOCUMENTS

D376,839 S * 12/1996 Hung D23/226

D394,491 S * 5/1998 Guo D23/226

D441,424 S * 5/2001 Guo D23/226

1 Claim, 7 Drawing Sheets



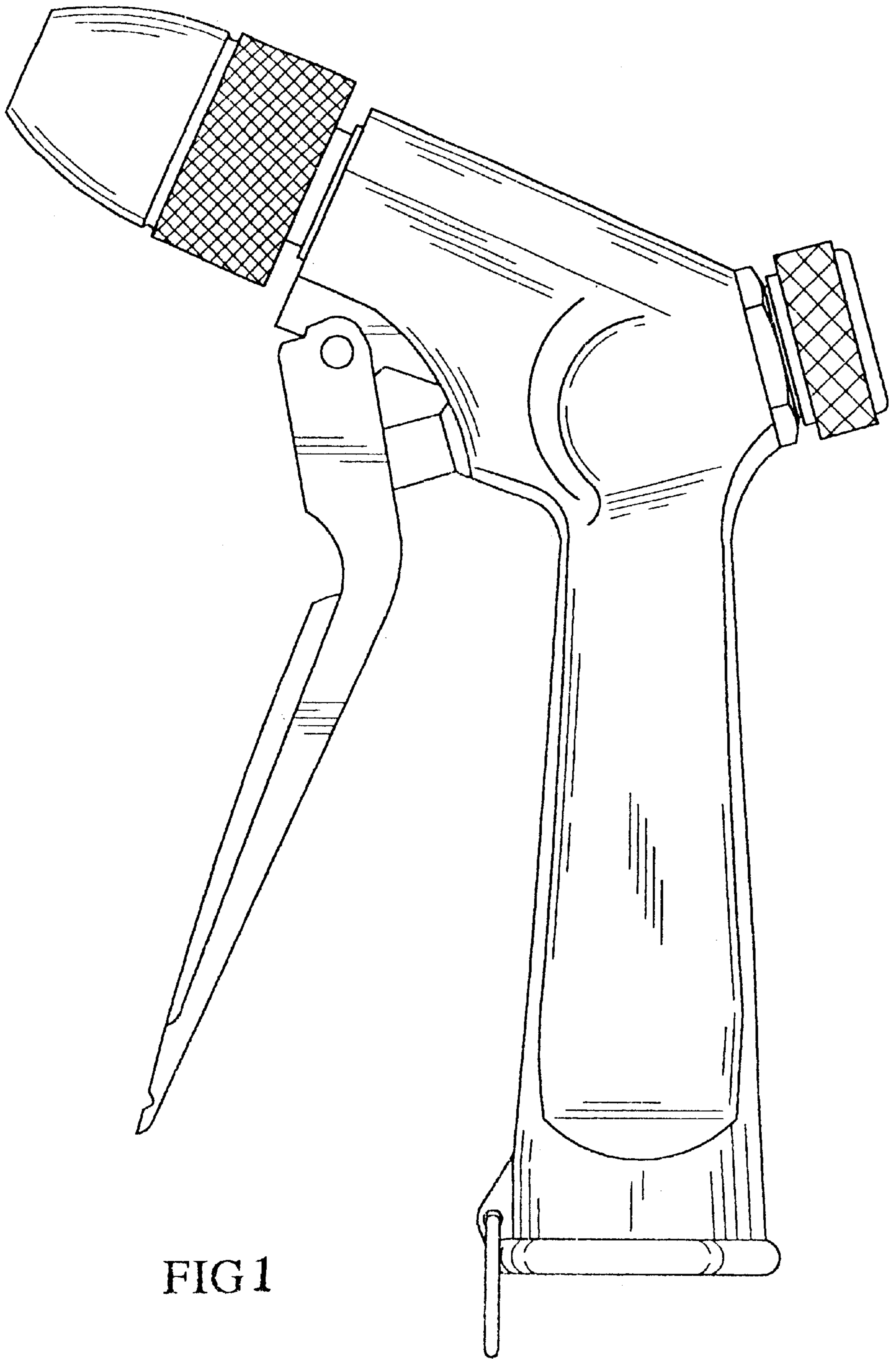


FIG 1

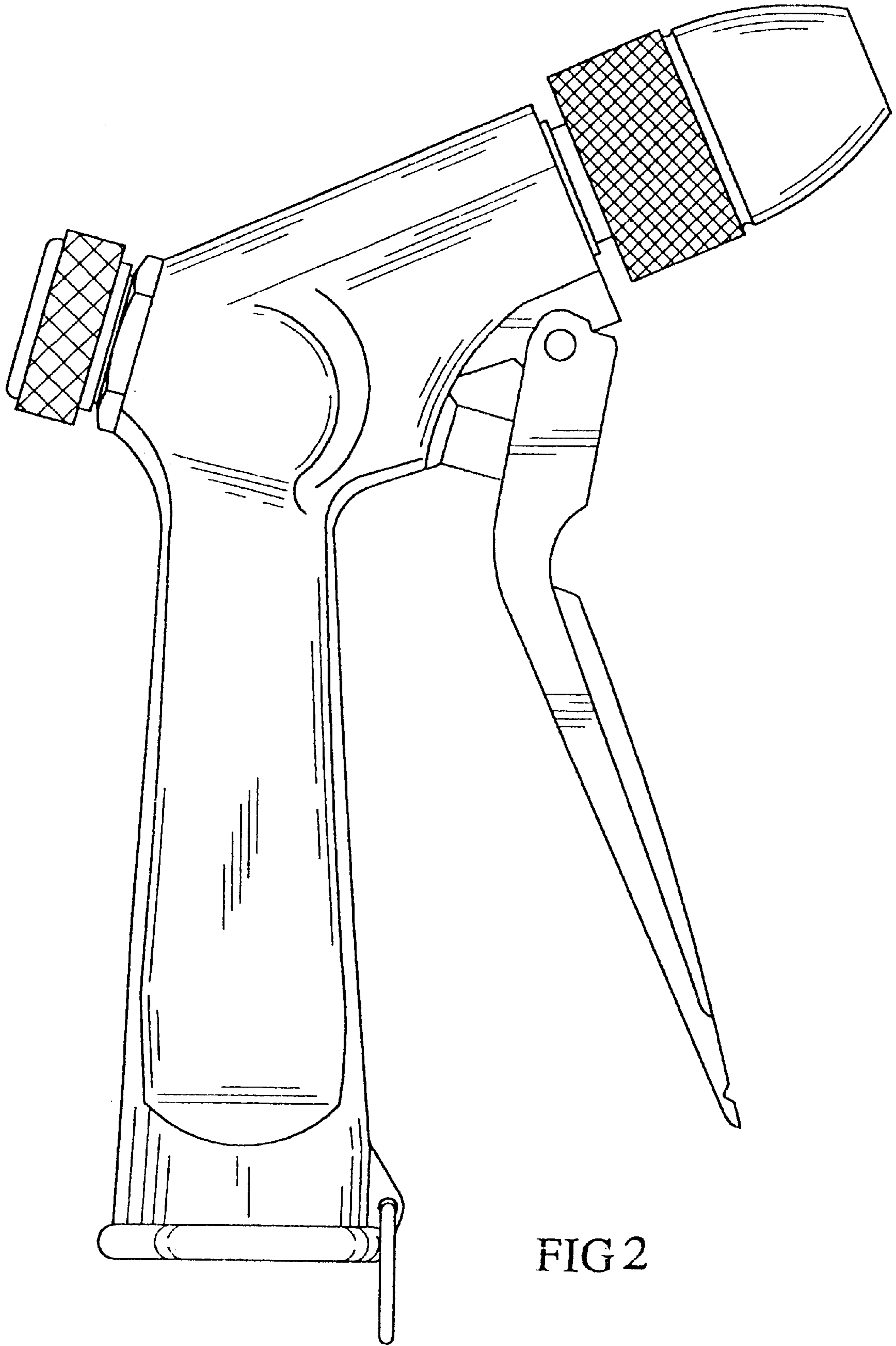


FIG 2

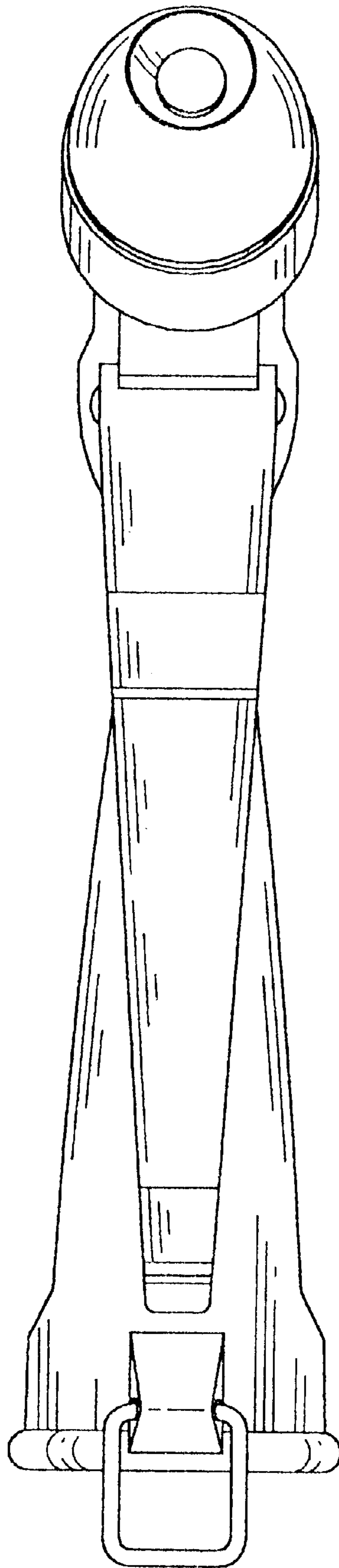


FIG. 3

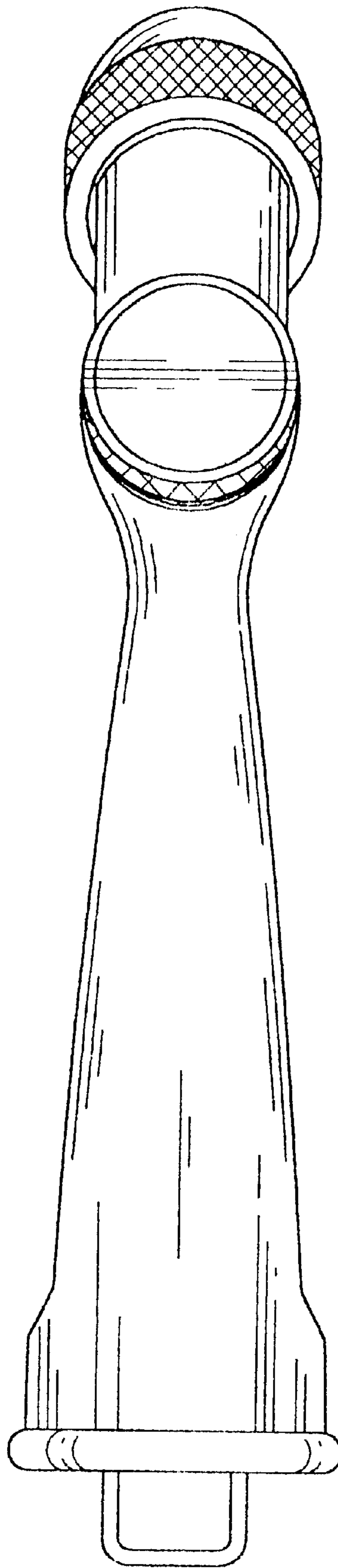


FIG.4

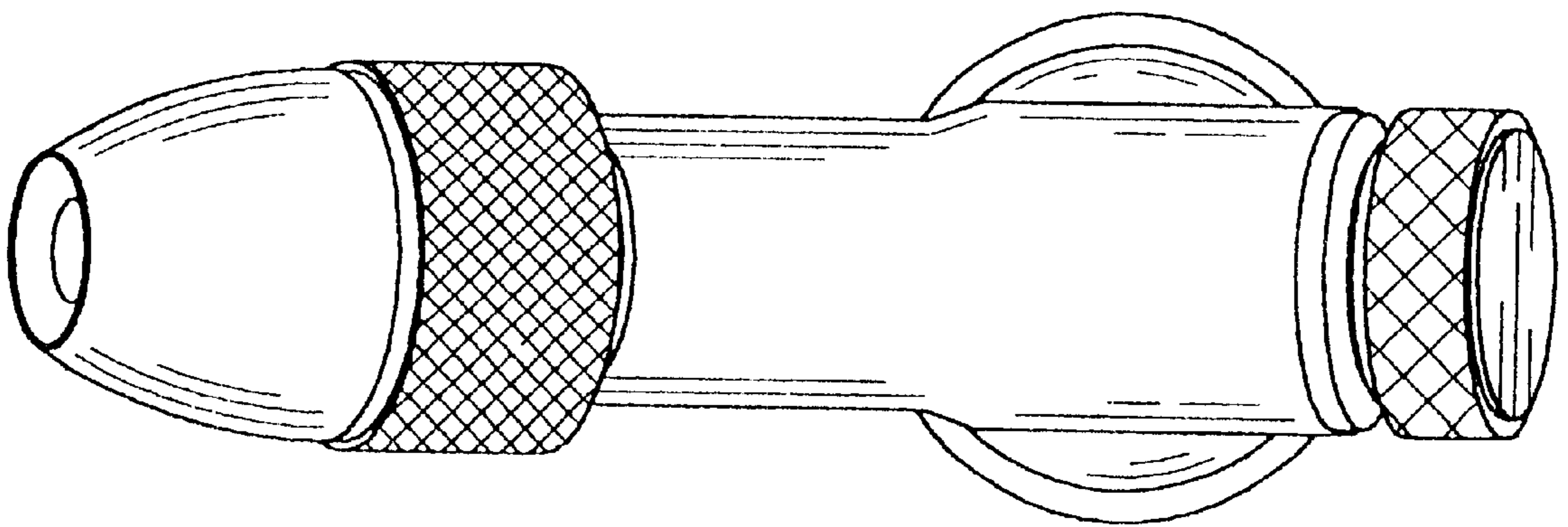


FIG. 5

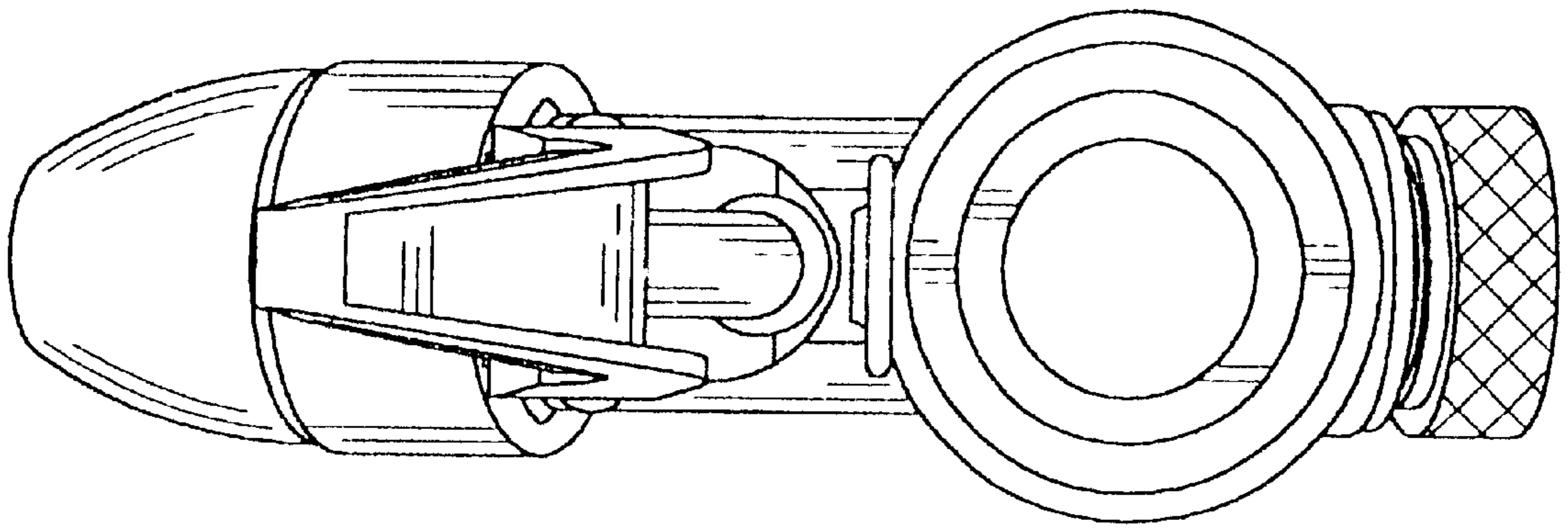


FIG.6

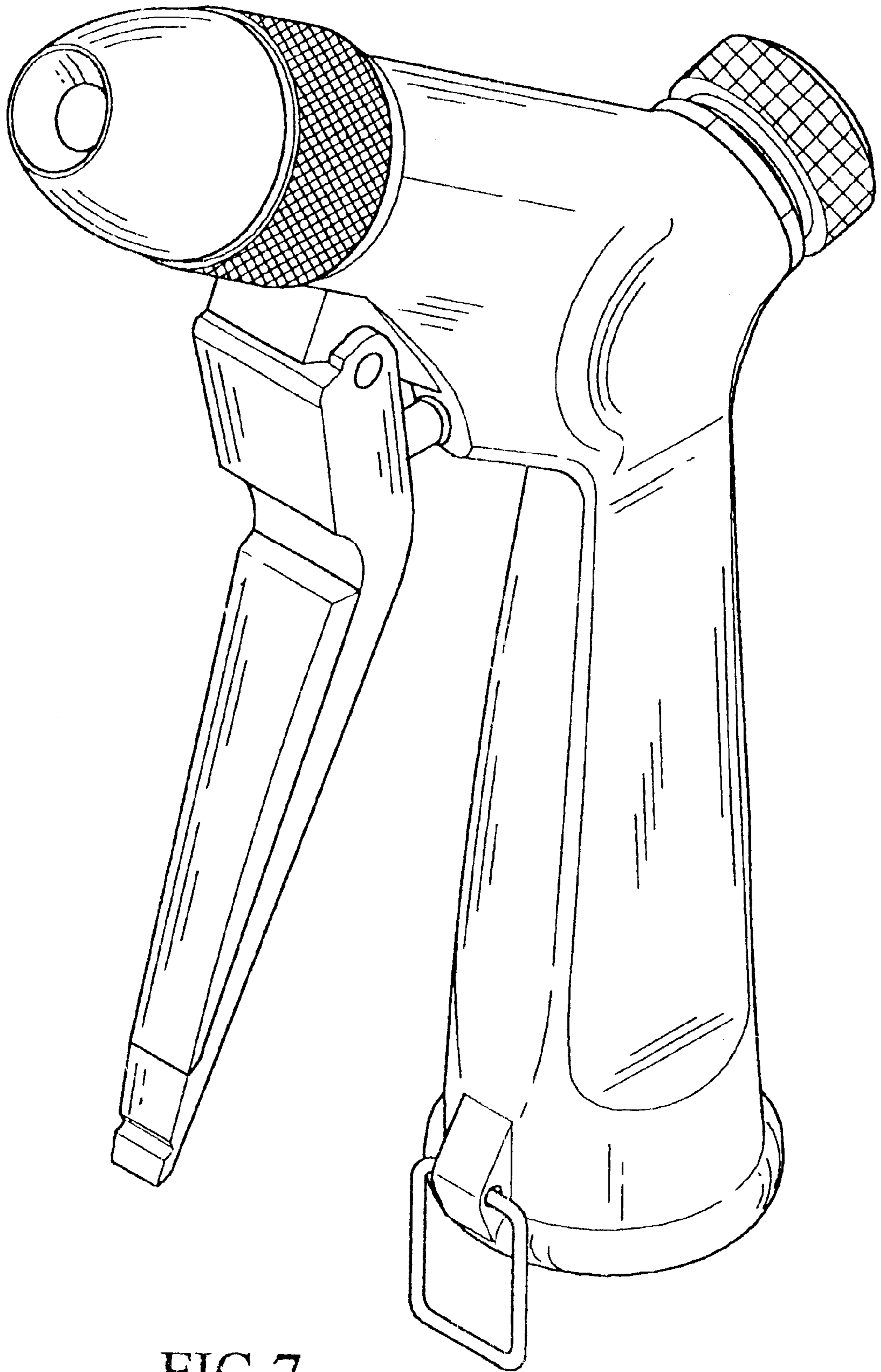


FIG. 7