



US00D466184S

(12) **United States Design Patent**
Kuo

(10) **Patent No.:** **US D466,184 S**

(45) **Date of Patent:** **** Nov. 26, 2002**

(54) **SPRINKLER**

D427,281 S * 6/2000 Guo D23/216

(76) Inventor: **Wen-Li Kuo**, 235 Chung-Ho Box 8-24,
Taipei (TW)

* cited by examiner

(**) Term: **14 Years**

Primary Examiner—Robin V. Taylor

(21) Appl. No.: **29/151,615**

(57) **CLAIM**

(22) Filed: **Dec. 10, 2001**

The ornamental design for a sprinkler, as shown and described.

(51) **LOC (7) Cl.** **23-01**

(52) **U.S. Cl.** **D23/216**

(58) **Field of Search** D23/213, 214,
D23/215, 216; 239/240–242

DESCRIPTION

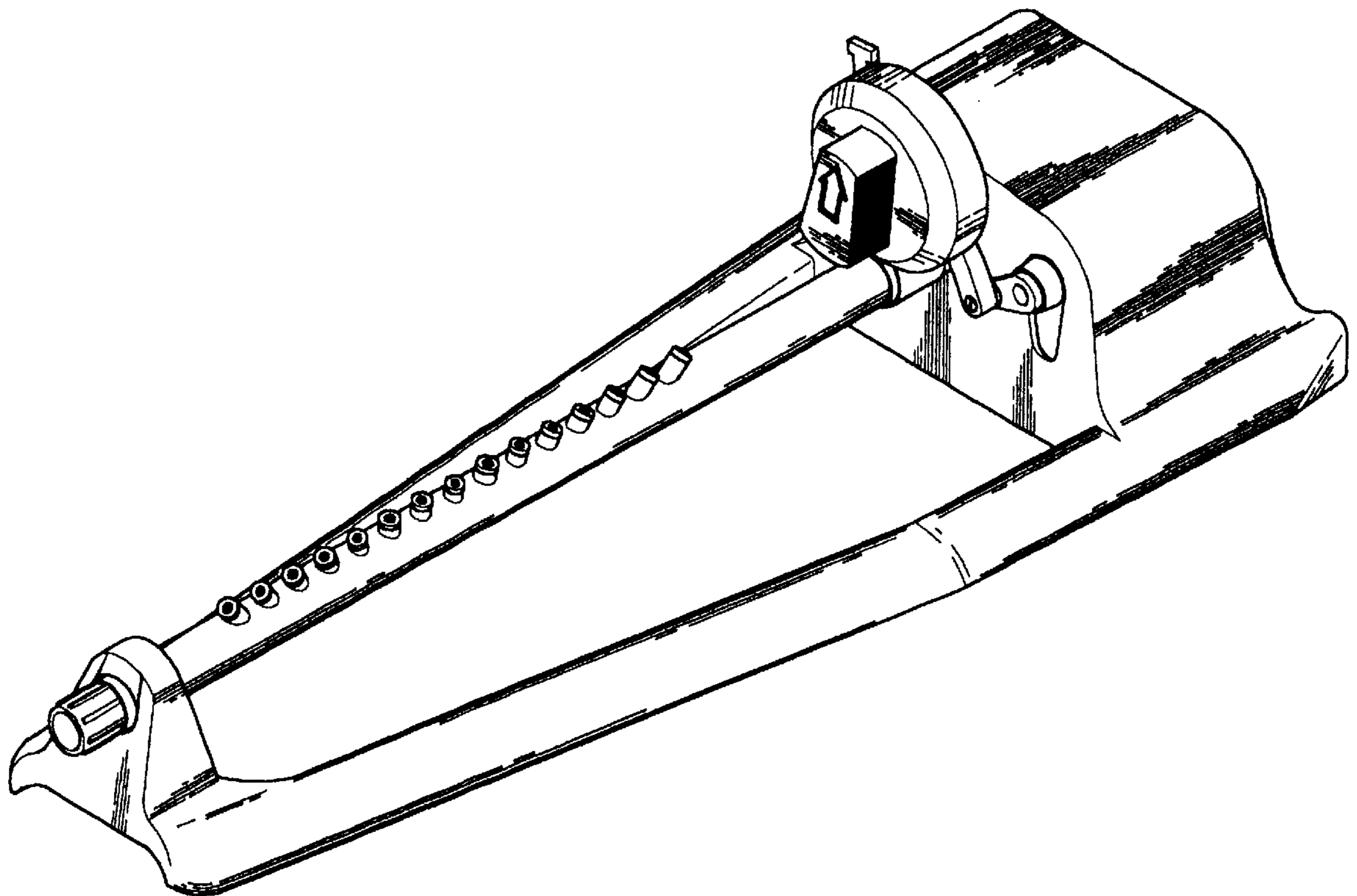
FIG. 1 is a front view of a sprinkler showing my new design;
FIG. 2 is a rear view thereof;
FIG. 3 is a left side view thereof;
FIG. 4 is a right side view thereof;
FIG. 5 is an upper view thereof;
FIG. 6 is a lower view thereof; and,
FIG. 7 is a perspective view thereof.

(56) **References Cited**

U.S. PATENT DOCUMENTS

- D282,866 S * 3/1986 Hayes D23/216
- D398,952 S * 9/1998 Hsueh D23/216
- D422,681 S * 4/2000 Heren D23/216

1 Claim, 7 Drawing Sheets



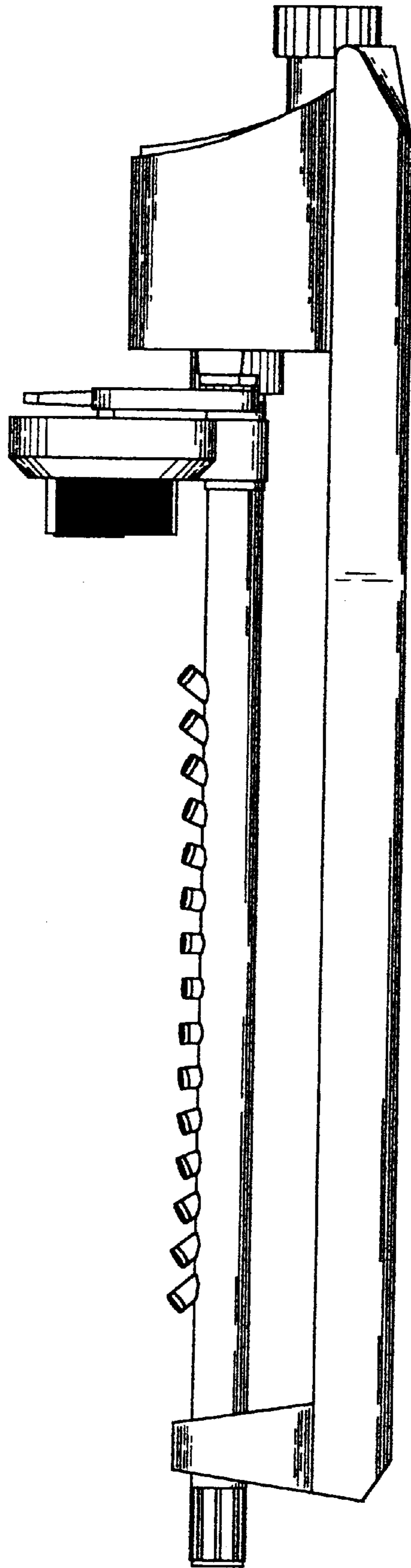


FIG 1

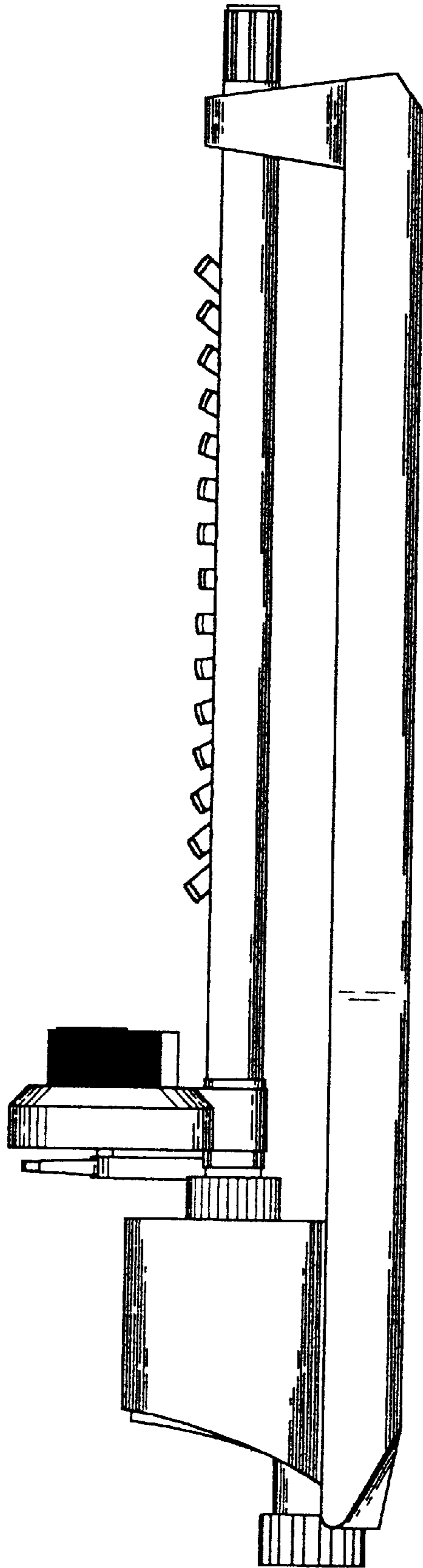


FIG 2

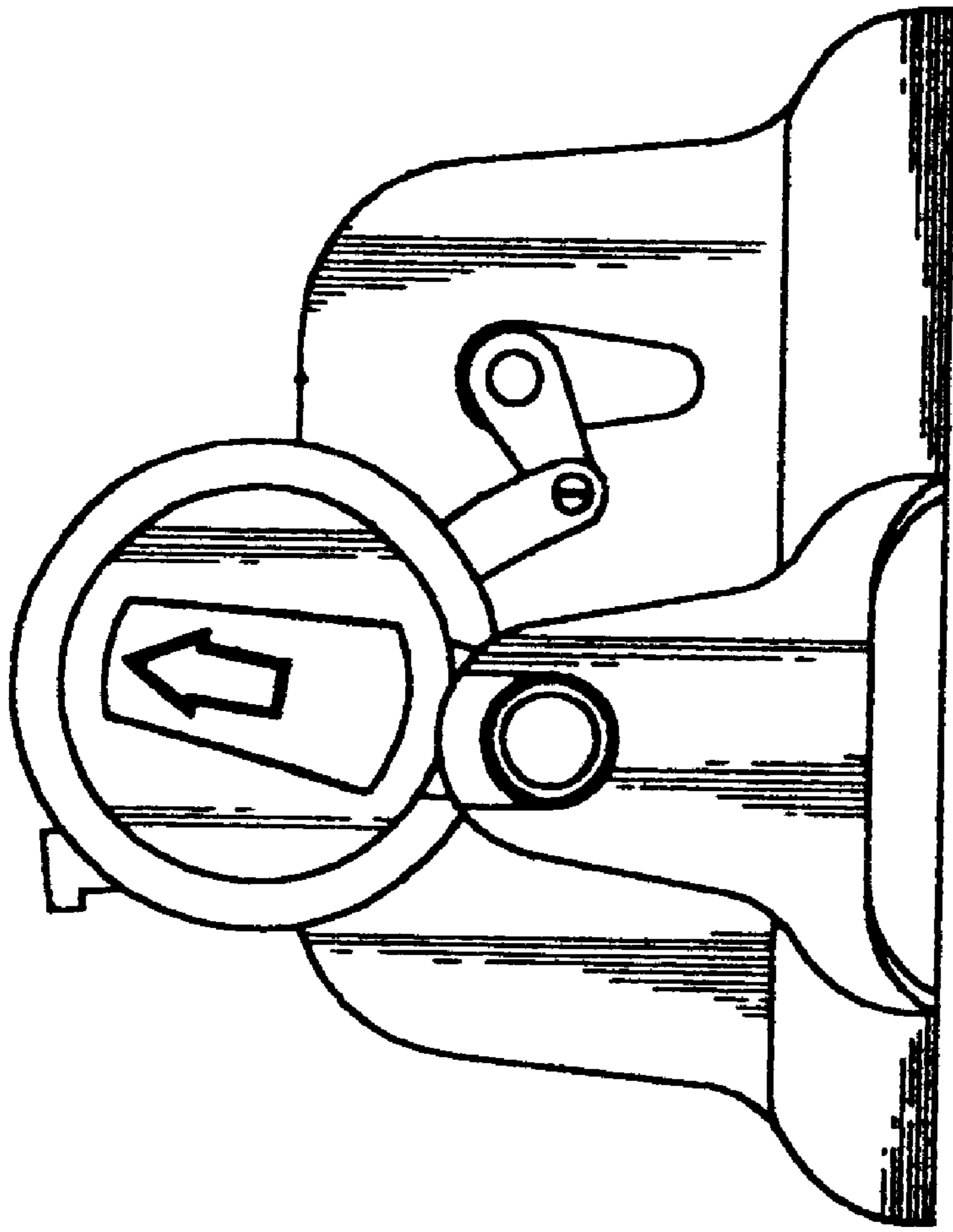


FIG 3

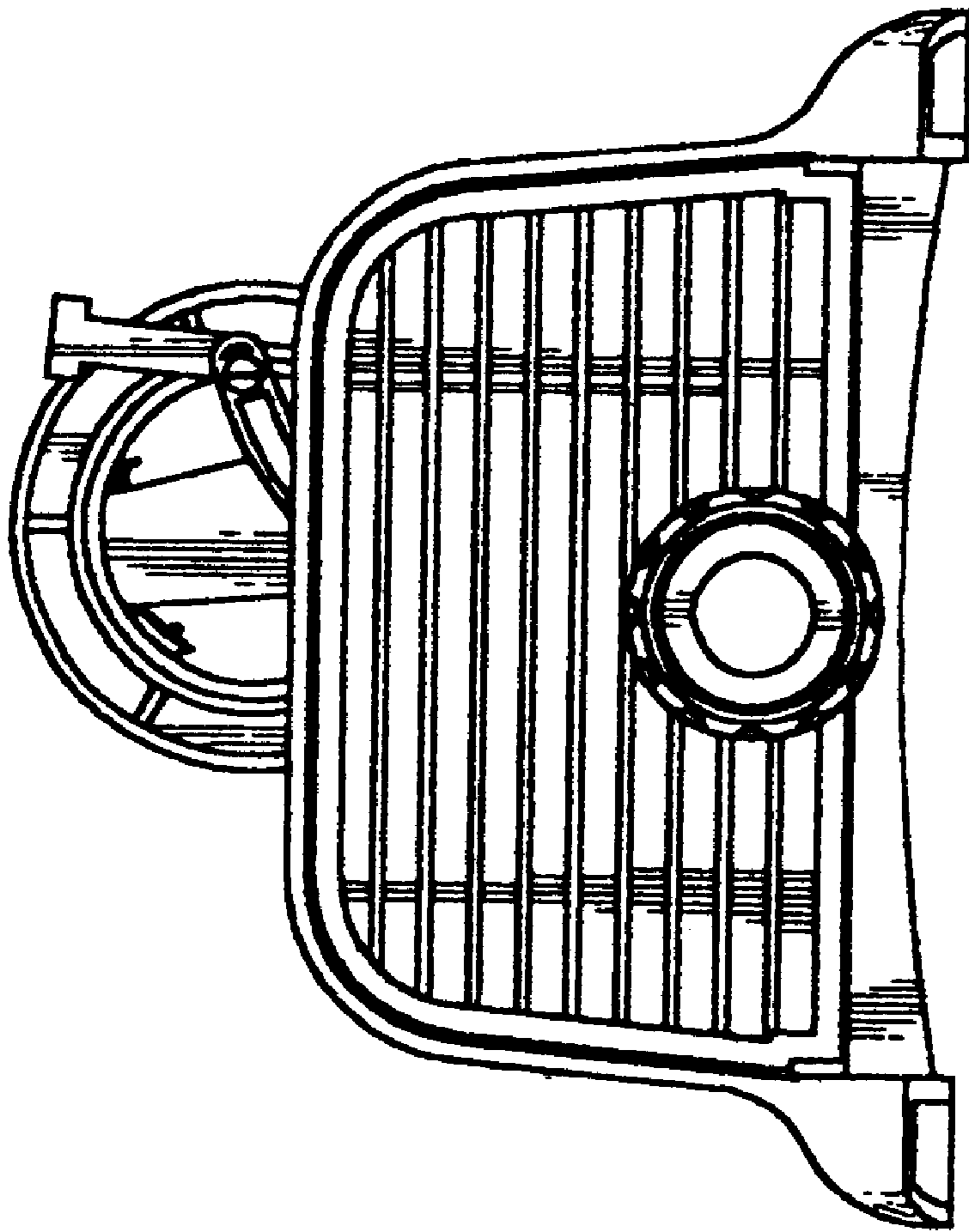


FIG 4

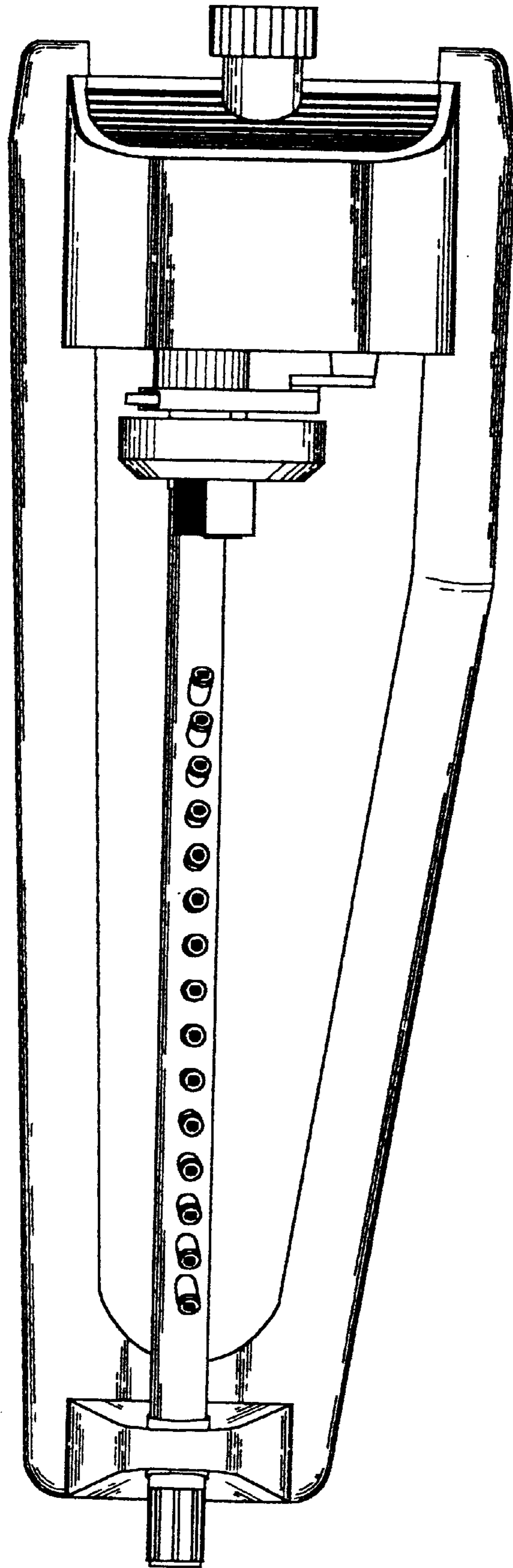


FIG 5

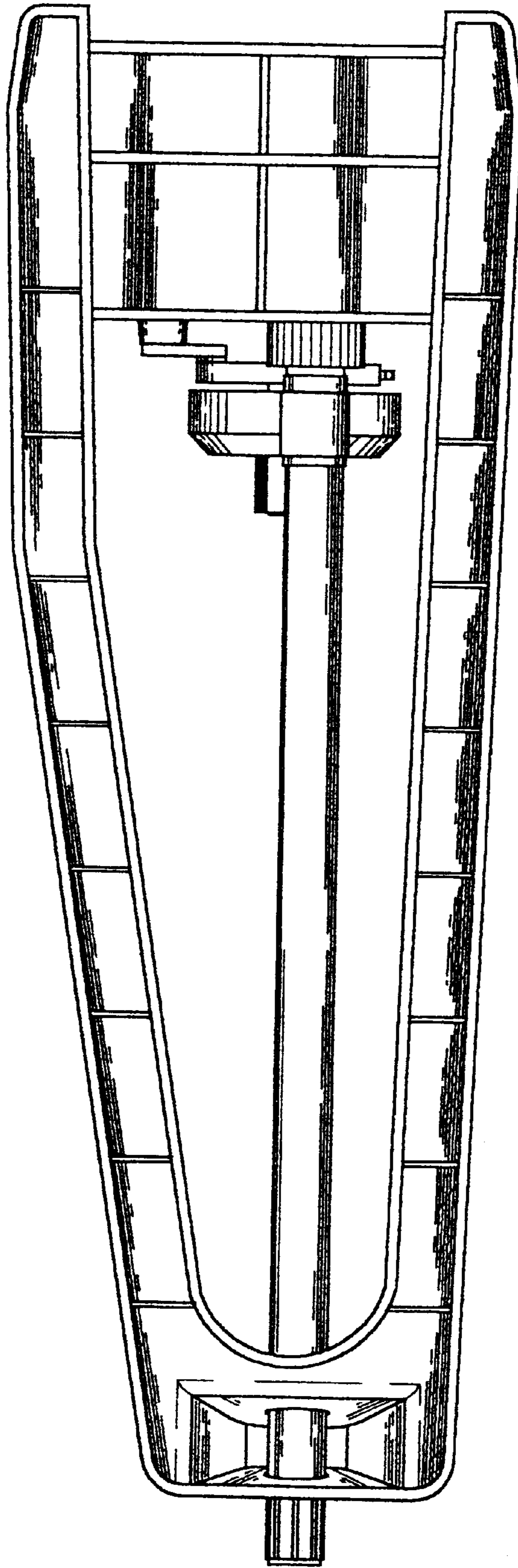


FIG 6

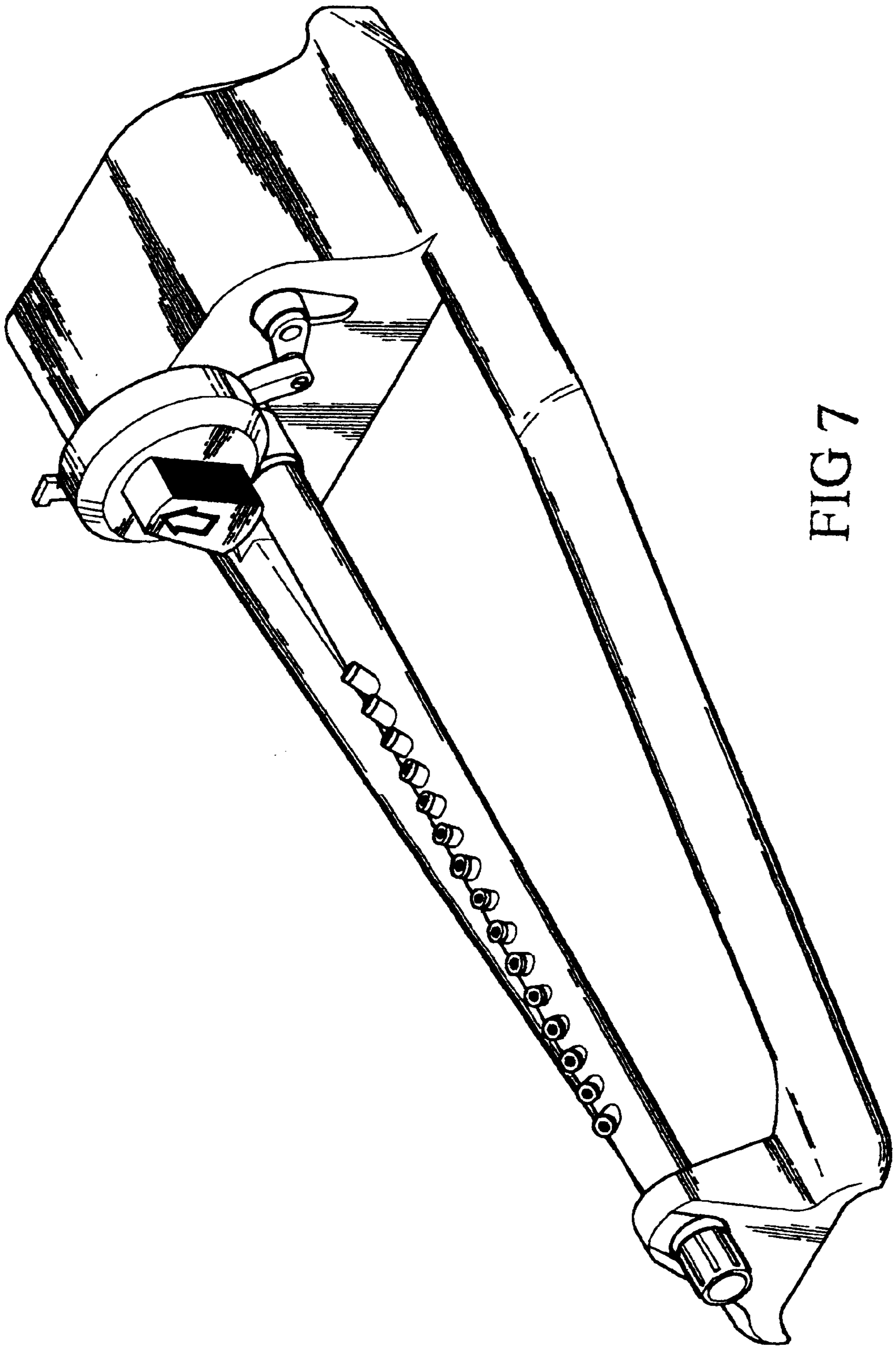


FIG 7