



US00D466183S

(12) **United States Design Patent**  
**Tse**

(10) **Patent No.:** **US D466,183 S**

(45) **Date of Patent:** **\*\* Nov. 26, 2002**

(54) **SHOWERHEAD ASSEMBLY**

(75) Inventor: **Hing Fai Tse**, New Territories (HK)

(73) Assignee: **Brand New Technology Ltd.**, Kowloon (HK)

(\*\*) Term: **14 Years**

(21) Appl. No.: **29/153,224**

(22) Filed: **Jan. 8, 2002**

(51) **LOC (7) Cl.** ..... **23-01**

(52) **U.S. Cl.** ..... **D23/213; D23/223**

(58) **Field of Search** ..... **D23/213, 223, D23/226, 229, 230; 239/525, 526, 532**

(56) **References Cited**

**U.S. PATENT DOCUMENTS**

D285,244 S	*	8/1986	Clivio et al.	.....	D23/213
5,170,943 A	*	12/1992	Artzberger	.....	239/532
D433,099 S	*	10/2000	Chao	.....	D23/226

**OTHER PUBLICATIONS**

True Temper Water Works brochure; item #W647H Feb. 1986.\*

\* cited by examiner

*Primary Examiner*—Robin V. Taylor

(74) *Attorney, Agent, or Firm*—Leydig, Voit & Mayer, Ltd.

(57) **CLAIM**

The ornamental design for a showerhead assembly, as shown and described.

**DESCRIPTION**

FIG. 1 is a right side elevational view of a showerhead assembly showing my new design;

FIG. 2 is a similar right side elevational view of the showerhead assembly, with a part of it shown in partial length for ease of illustration;

FIG. 3 is a left side elevational view thereof;

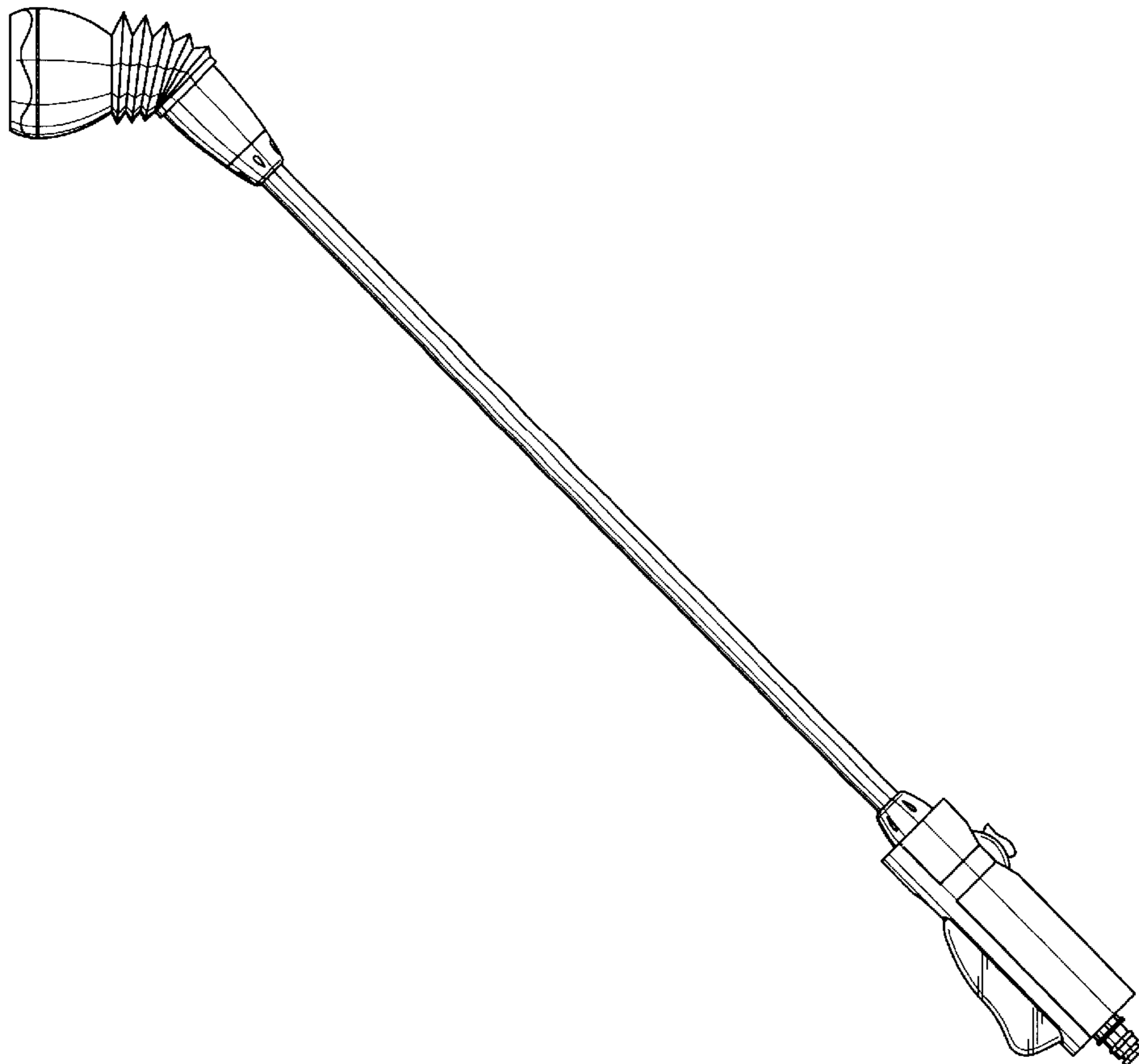
FIG. 4 is a front elevational view thereof;

FIG. 5 is a rear elevational view thereof;

FIG. 6 is a top plan view thereof; and,

FIG. 7 is a bottom plan view thereof.

**1 Claim, 4 Drawing Sheets**



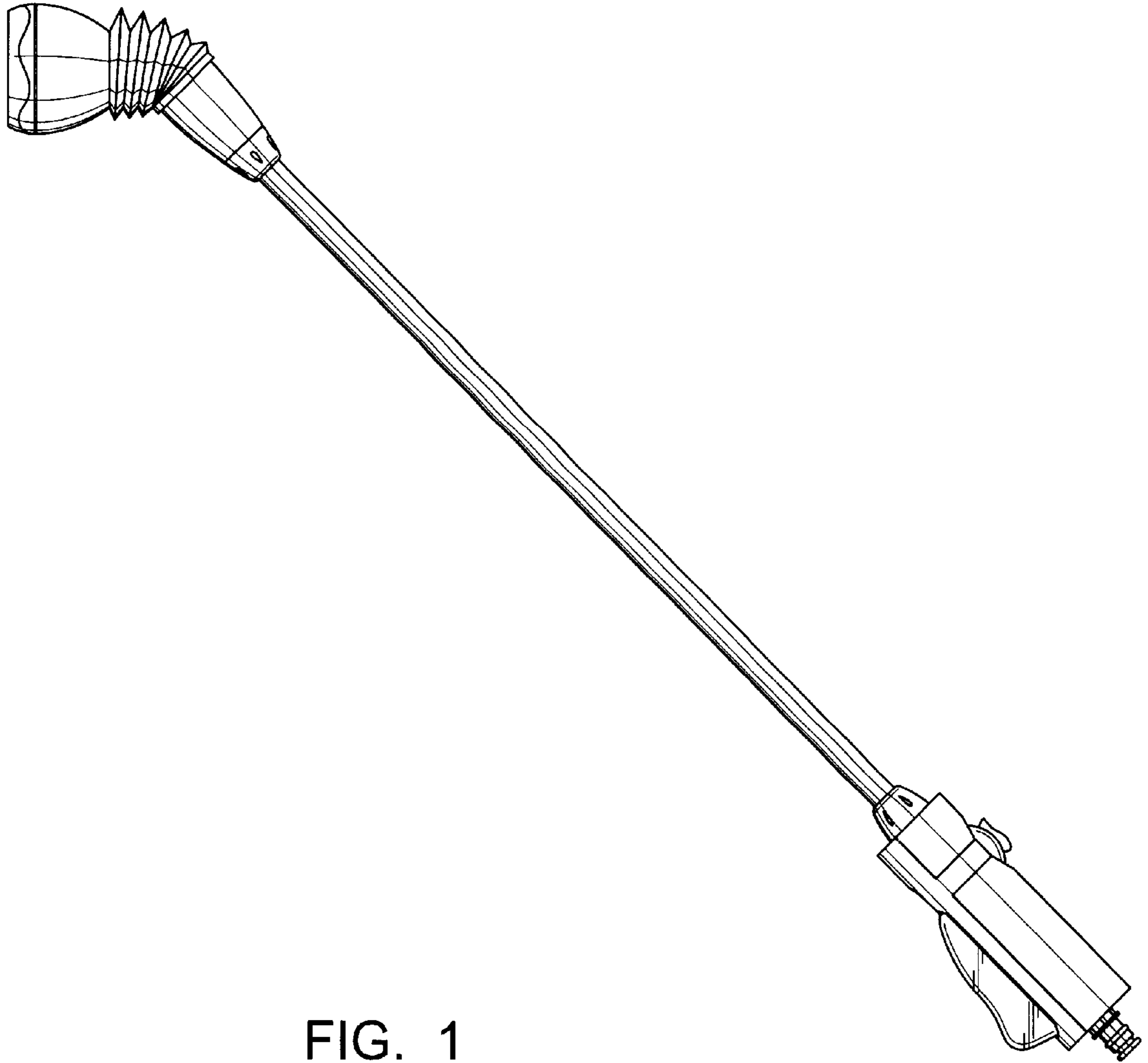


FIG. 1

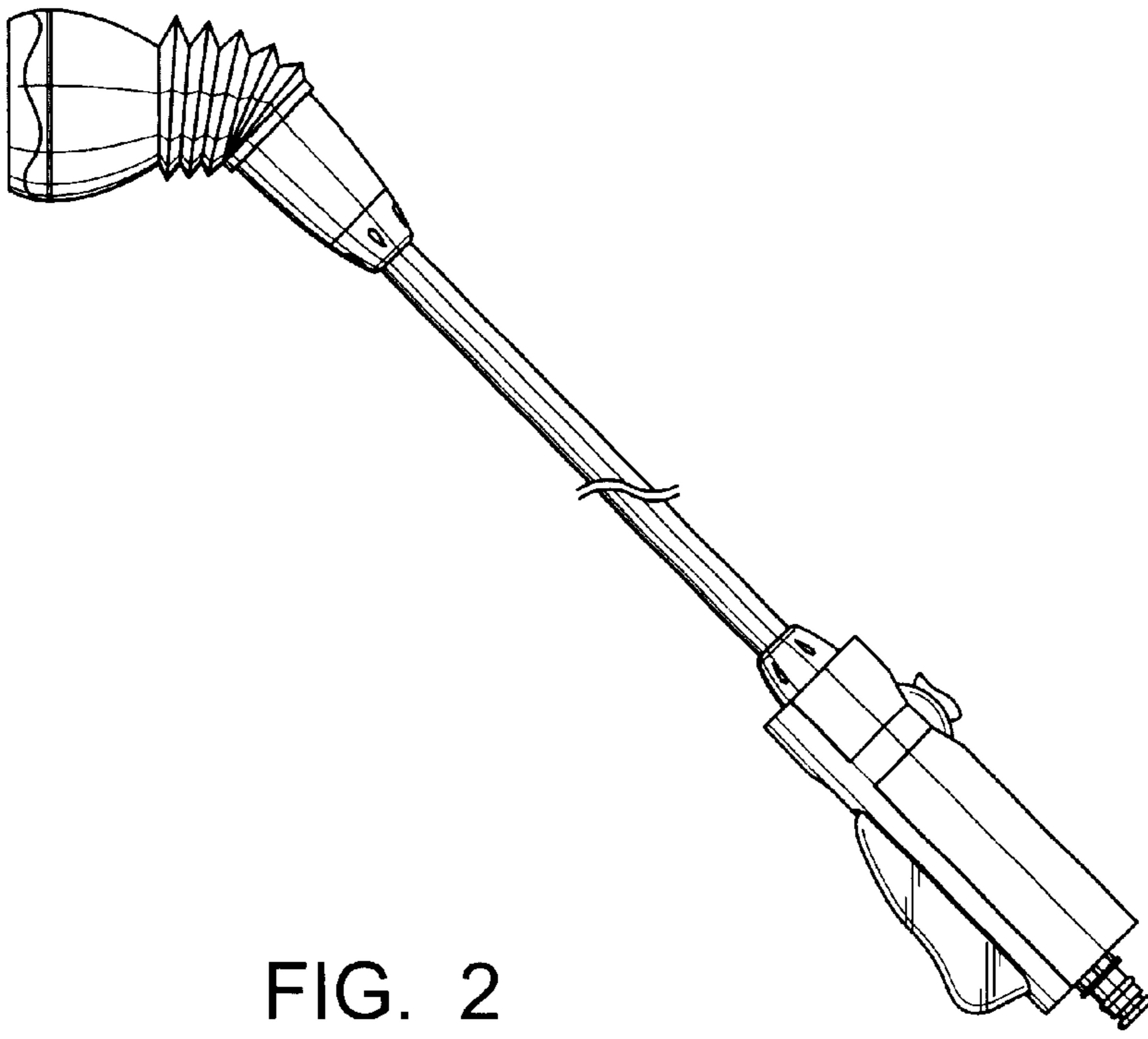


FIG. 2

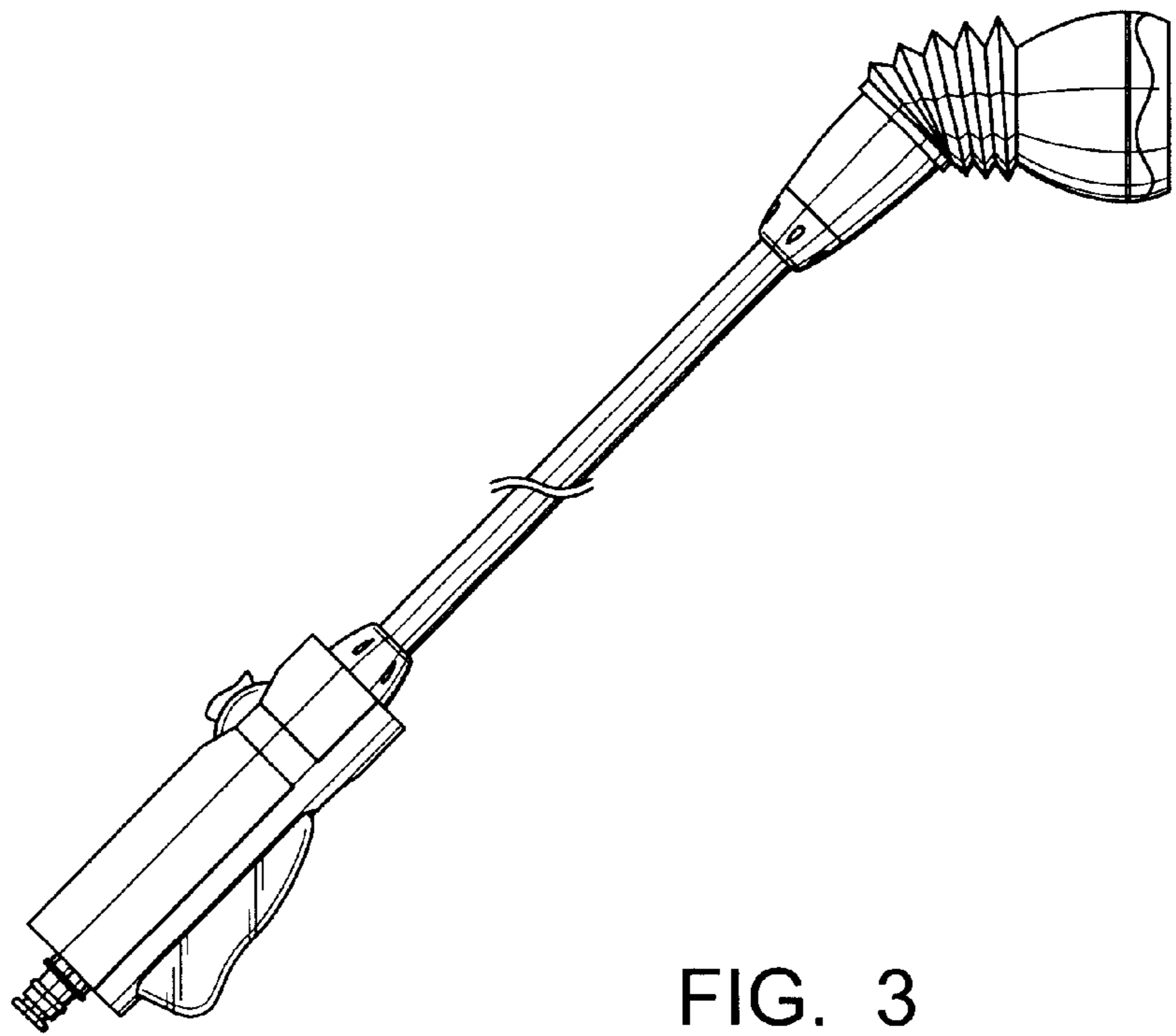


FIG. 3

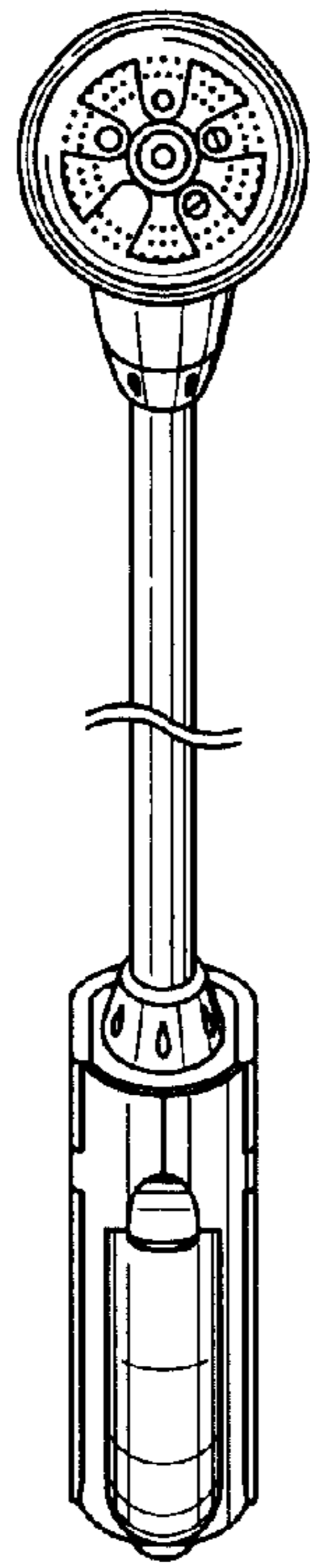


FIG. 4

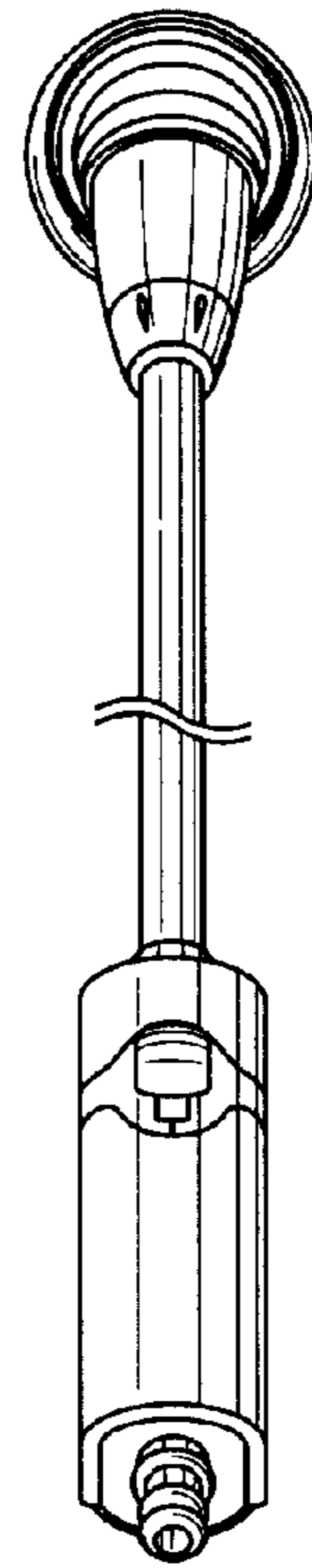


FIG. 5

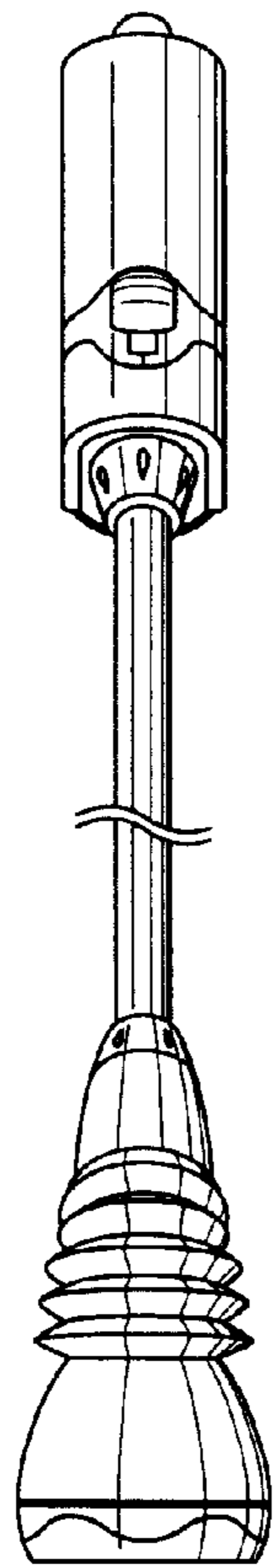


FIG. 6

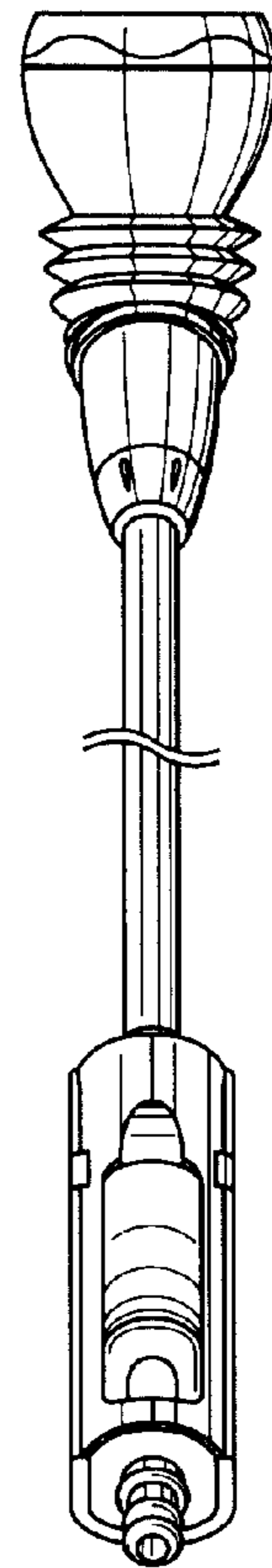


FIG. 7