



US00D466181S

(12) **United States Design Patent**  
**DeSorcy**

(10) **Patent No.:** **US D466,181 S**

(45) **Date of Patent:** **\*\* Nov. 26, 2002**

(54) **BUTT END BOOT FOR FISHING RODS**

D404,794 S \* 1/1999 Pingel ..... D22/142  
6,176,034 B1 \* 1/2001 Collins ..... 43/20

(75) Inventor: **Mark DeSorcy**, Delray Beach, FL (US)

\* cited by examiner

(73) Assignee: **M & C Products**, Boca Raton, FL (US)

*Primary Examiner*—Catherine R. Oliver

(\*\*) Term: **14 Years**

(74) *Attorney, Agent, or Firm*—Robert M. Downey P.A.

(21) Appl. No.: **29/157,300**

(57) **CLAIM**

(22) Filed: **Mar. 13, 2002**

The ornamental design for a butt end boot for fishing rods, as shown and described.

(51) **LOC (7) Cl.** ..... **22-05**

**DESCRIPTION**

(52) **U.S. Cl.** ..... **D22/142**

(58) **Field of Search** ..... D22/142, 138,  
D22/137, 134, 199, 139; 43/23, 22, 20,  
18.1; D8/310

FIG. 1 is a top perspective view of a butt end boot for fishing rods showing my new design;

FIG. 2 is a front elevational view thereof, the left side elevational view, right side elevational view and rear elevational view being identical thereto;

FIG. 3 is a top plan view thereof; and,

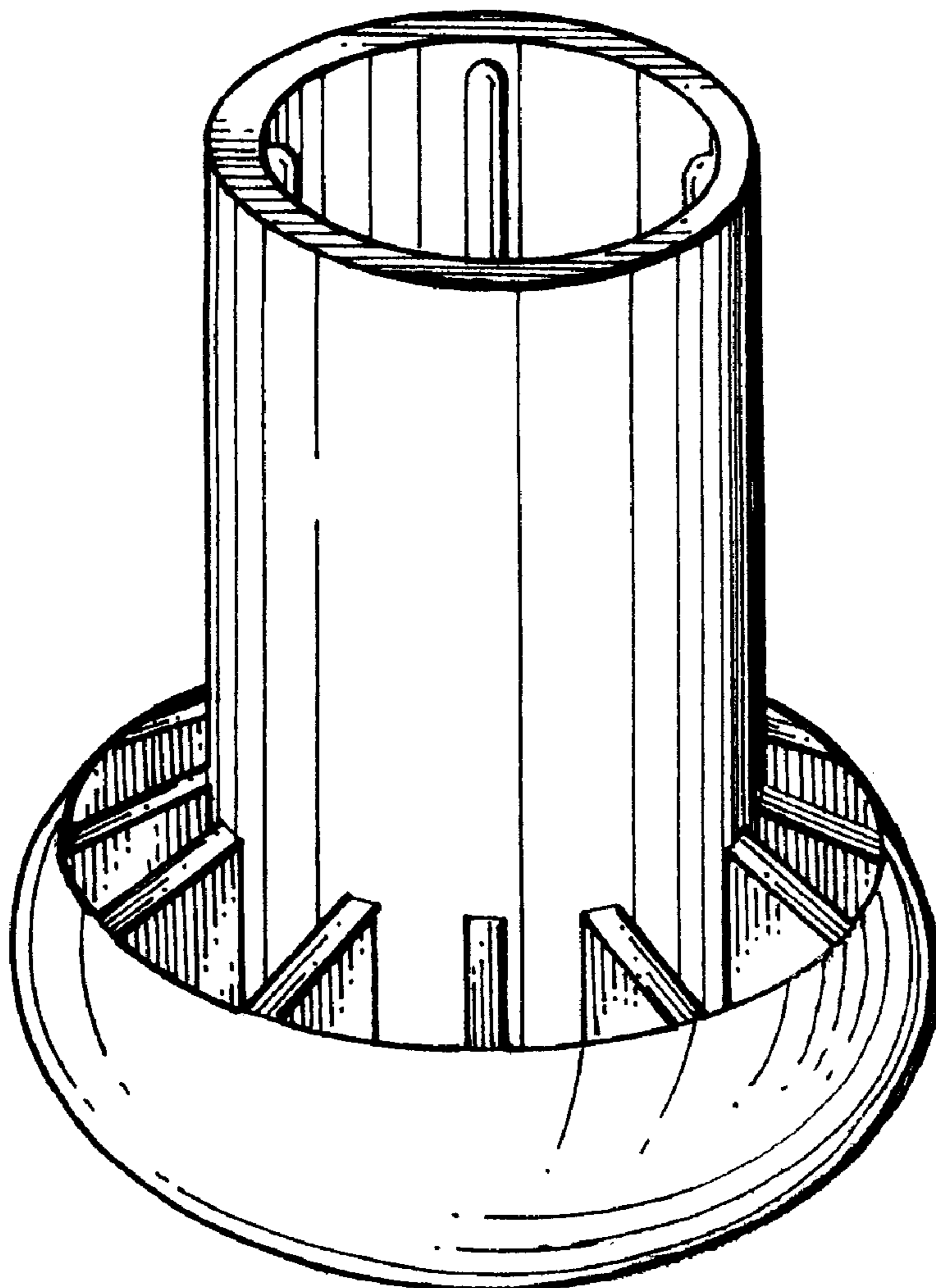
FIG. 4 is a bottom plan view thereof.

(56) **References Cited**

**U.S. PATENT DOCUMENTS**

2,976,076 A \* 3/1961 Russell et al. .... D8/310  
D207,007 S \* 2/1967 Mears ..... D22/142  
D294,161 S \* 2/1988 Peed ..... D22/142

**1 Claim, 1 Drawing Sheet**



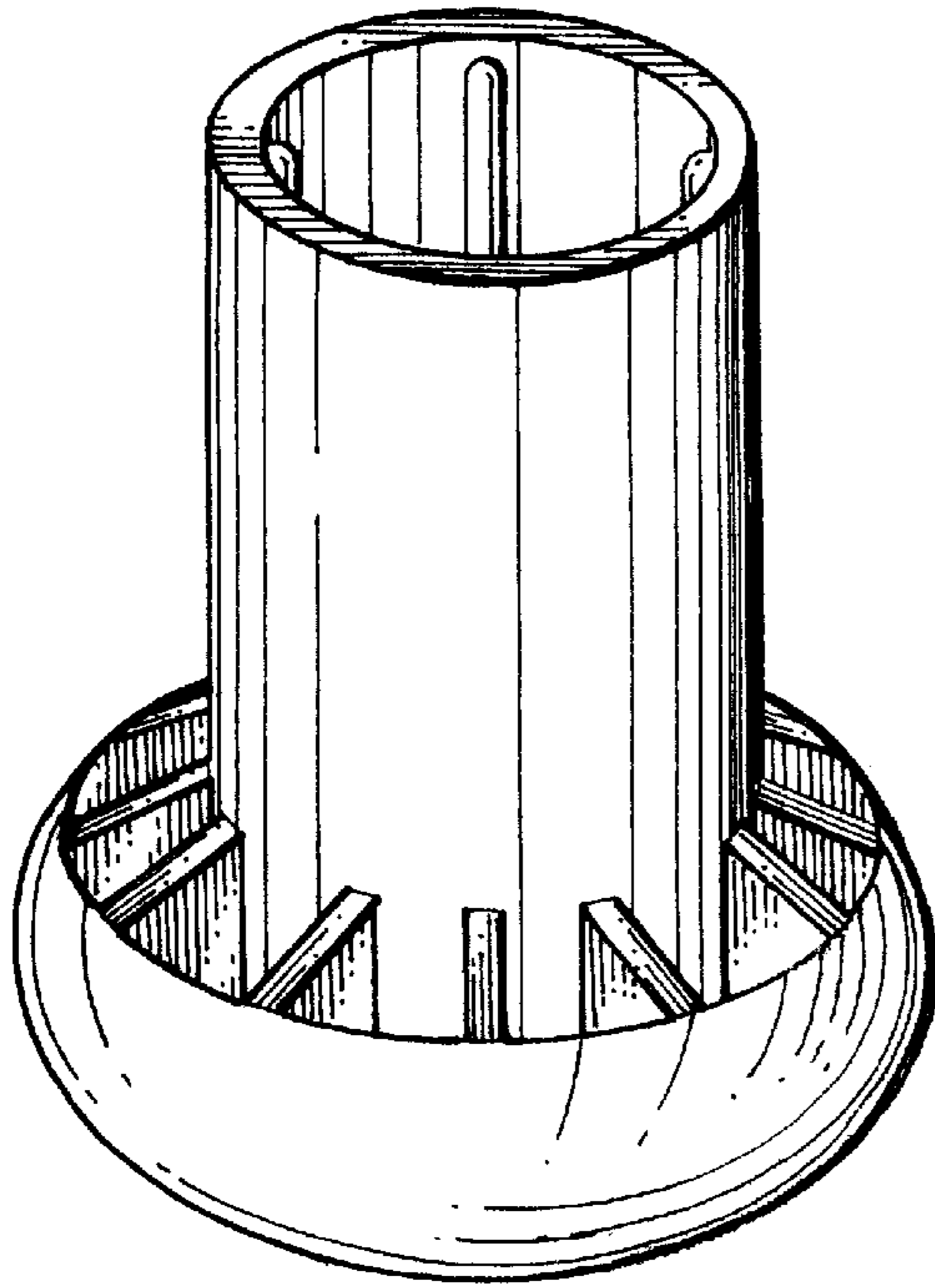


FIG. 1

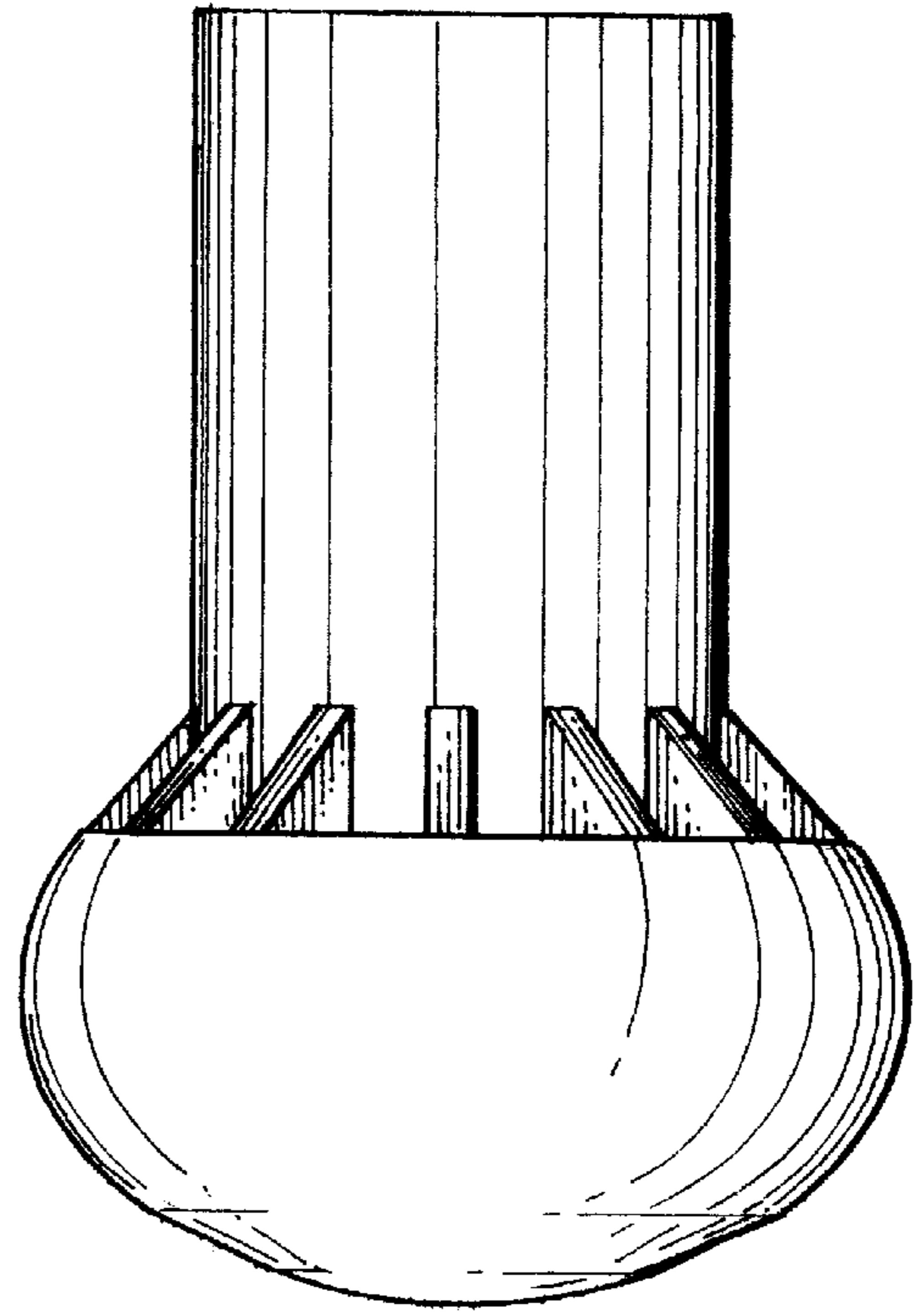


FIG. 2

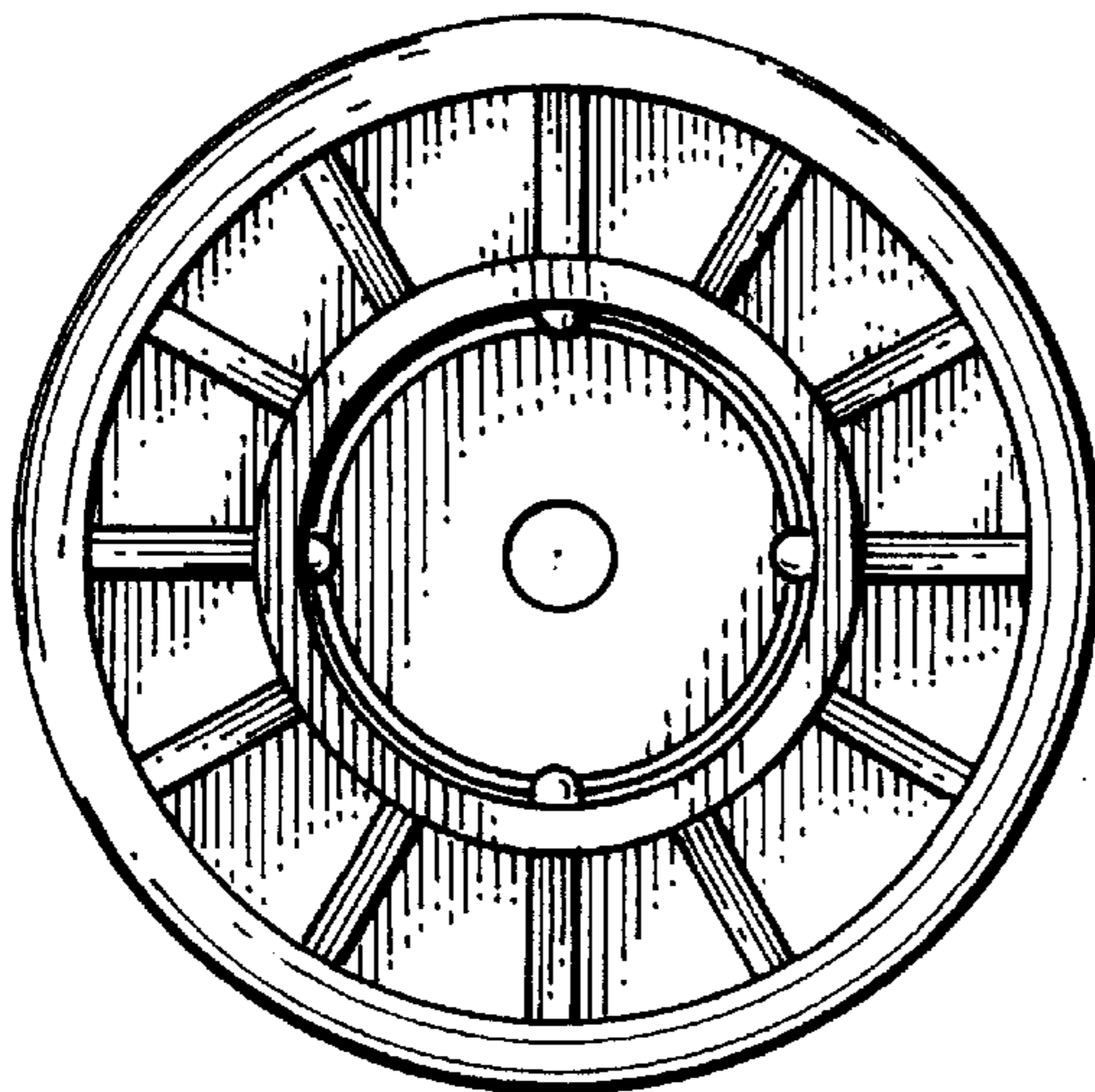


FIG. 3

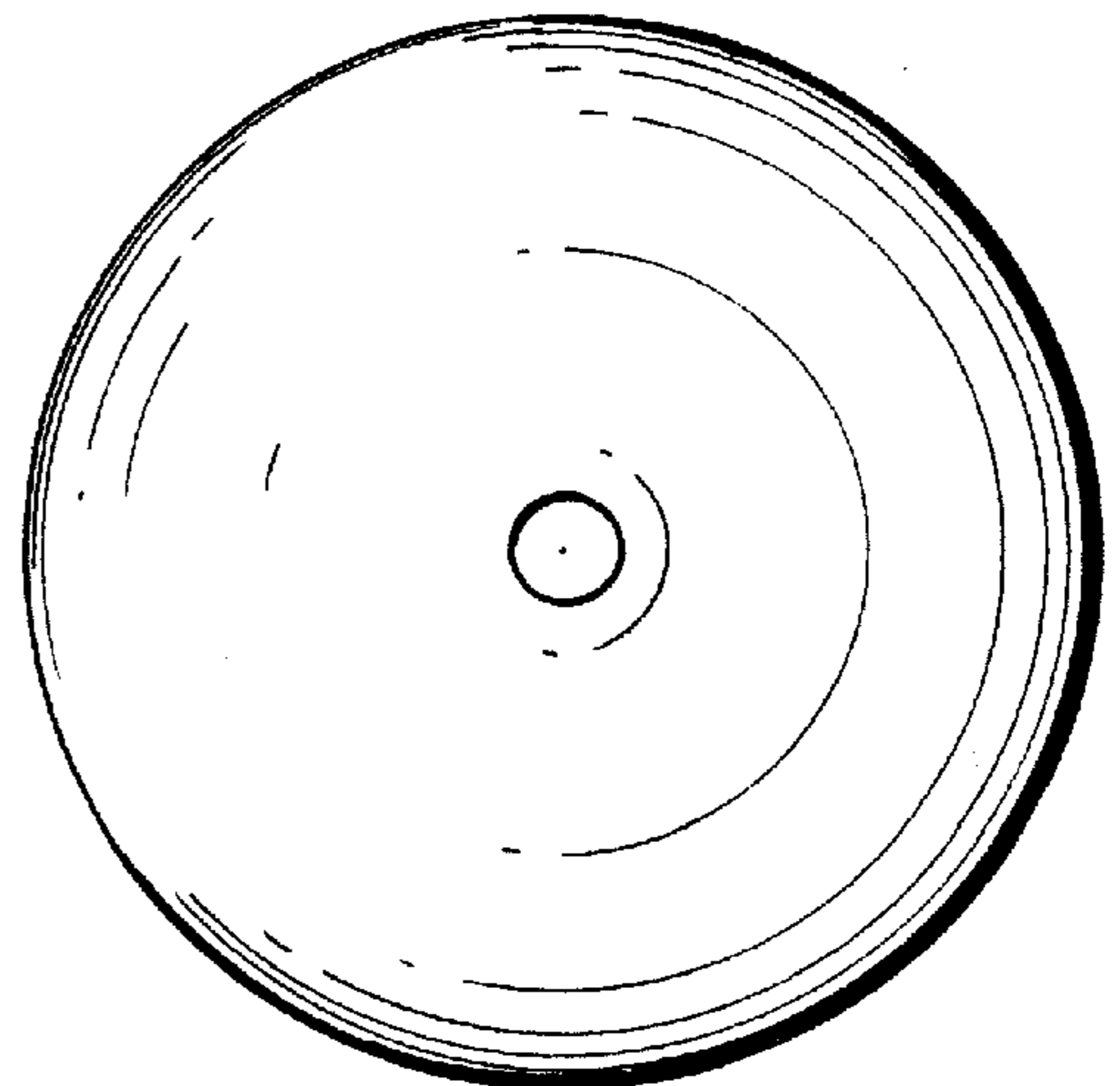


FIG. 4