



US00D466180S

(12) **United States Design Patent**  
**Bambacigno**

(10) **Patent No.:** **US D466,180 S**

(45) **Date of Patent:** **\*\* Nov. 26, 2002**

(54) **SPINNING FISHING LURE BODY**

(76) Inventor: **John A. Bambacigno**, 507 N. Idaho Ave., Grangeville, ID (US) 83530

(\*\*) Term: **14 Years**

(21) Appl. No.: **29/155,061**

(22) Filed: **Jan. 30, 2002**

**Related U.S. Application Data**

(63) Continuation-in-part of application No. 29/136,592, filed on Feb. 1, 2001, and a continuation-in-part of application No. 29/130,884, filed on Oct. 10, 2000.

(51) **LOC (7) Cl.** ..... **22-05**

(52) **U.S. Cl.** ..... **D22/126**

(58) **Field of Search** ..... D22/125-133;  
43/42.08, 42.36, 42.37, 42.47, 42.34, 42.29,  
42.35, 42.45, 42.48, 42.41, 42.31, 42.05

(56) **References Cited**

**U.S. PATENT DOCUMENTS**

2,494,407	A	*	1/1950	Rhodes	.....	43/42.05
2,502,879	A	*	4/1950	Nikander	.....	43/42.08
D175,545	S	*	9/1955	Haines	.....	D22/128
2,736,125	A	*	2/1956	Perkins	.....	43/42.34
D370,248	S	*	5/1996	Bowden	.....	D22/126

D376,189	S	*	12/1996	Thomas	.....	D22/129
D411,869	S		7/1999	Tirone, Jr.	.....	D22/126
D418,574	S		1/2000	Rowh	.....	D22/129
D421,638	S		3/2000	Yount	.....	D22/126
6,115,956	A		9/2000	Firmin	.....	43/42.06
D449,365	S		10/2001	Bambacigno	.....	D22/129
D452,548	S		12/2001	Bambacigno	.....	D22/126

\* cited by examiner

*Primary Examiner*—Catherine R. Oliver

(74) *Attorney, Agent, or Firm*—Wells St. John P.S.

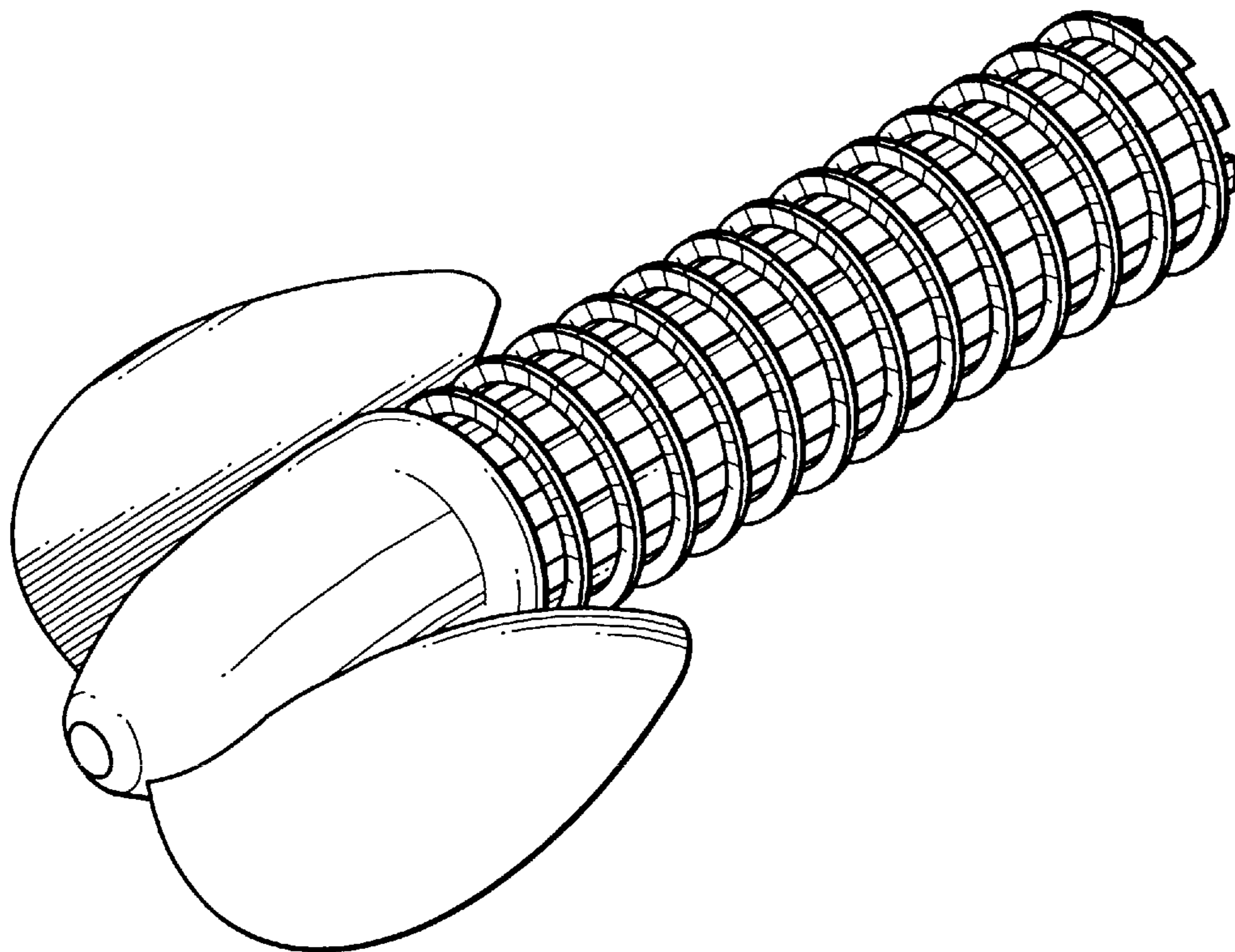
(57) **CLAIM**

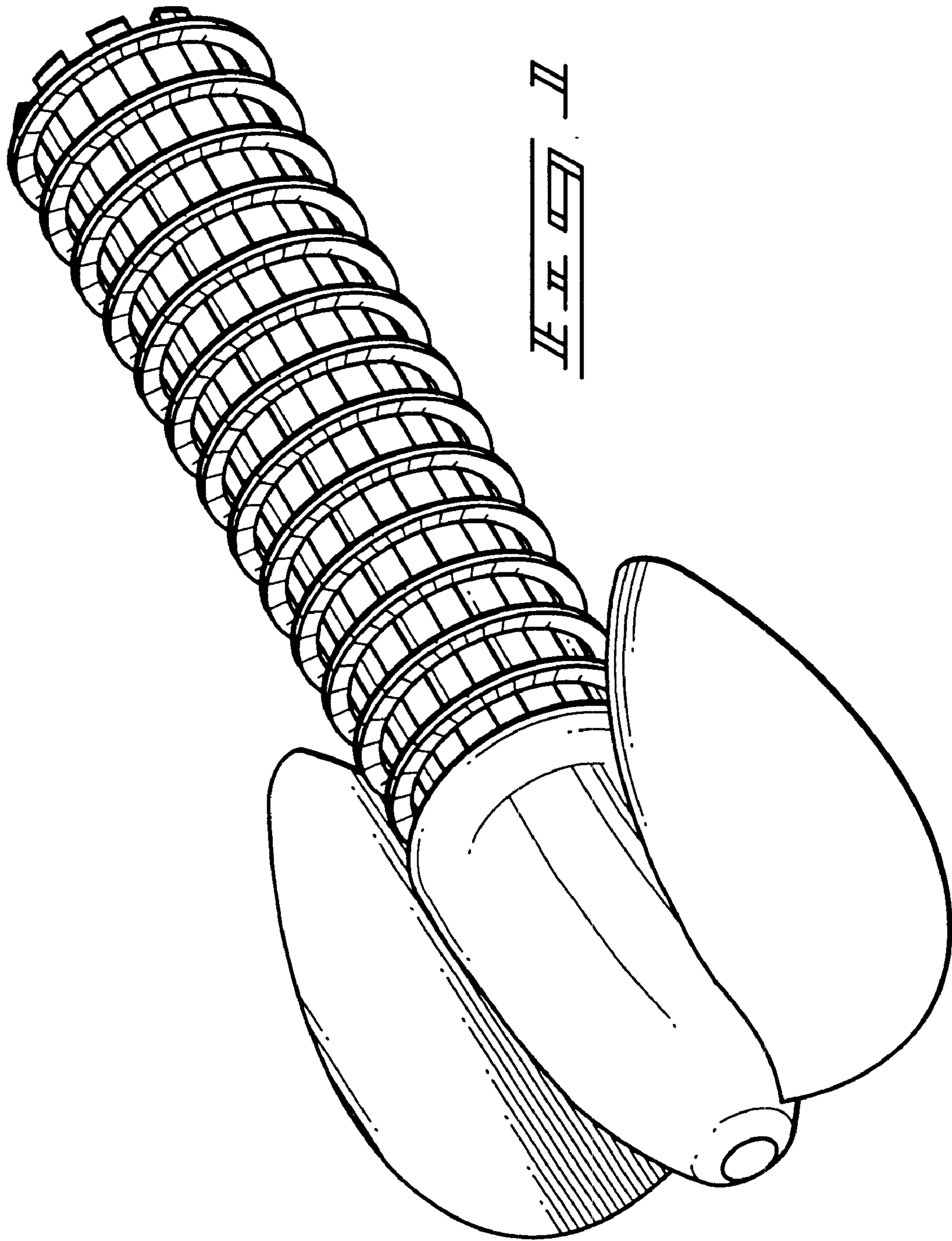
The ornamental design for a spinning fishing lure body, as shown and described.

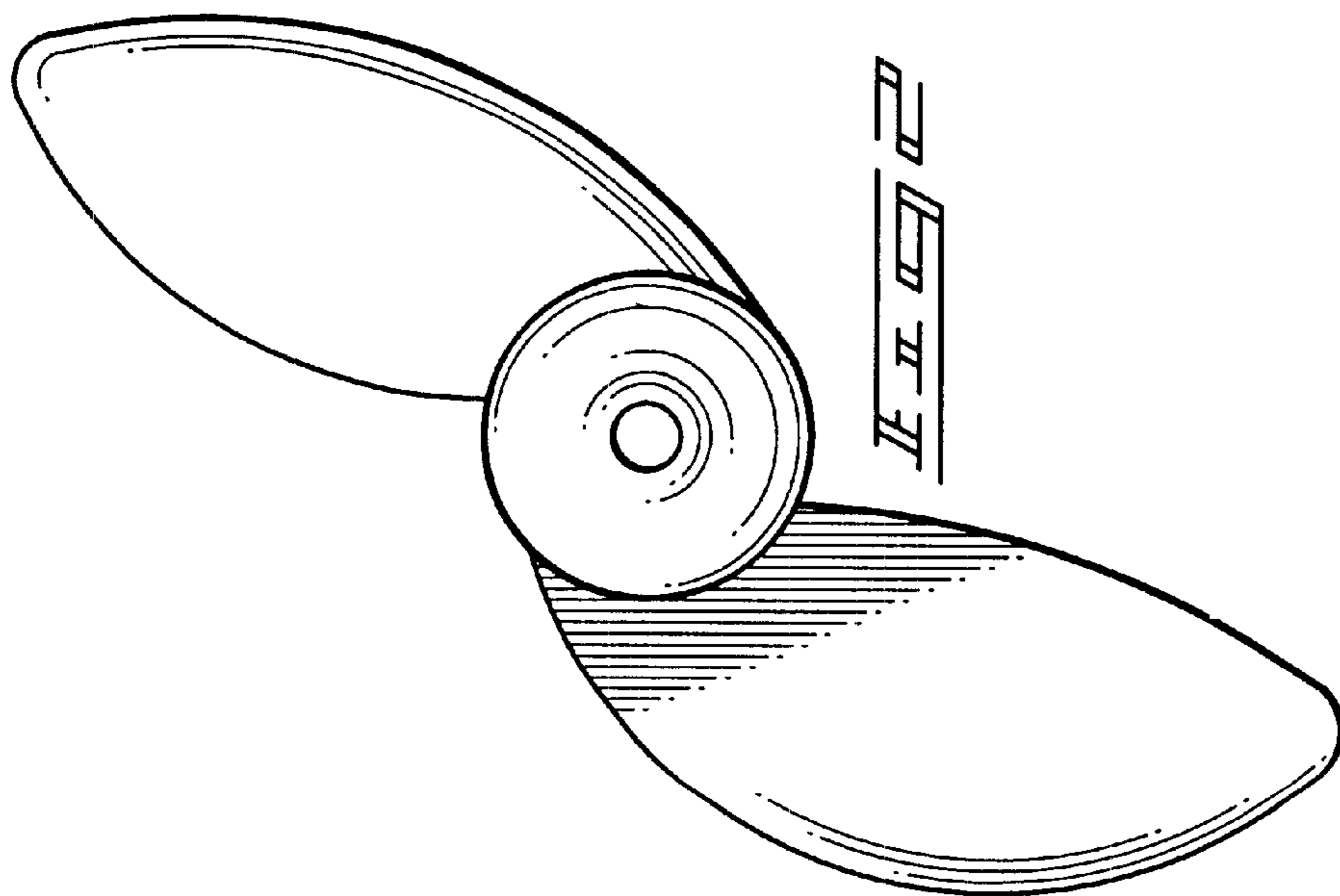
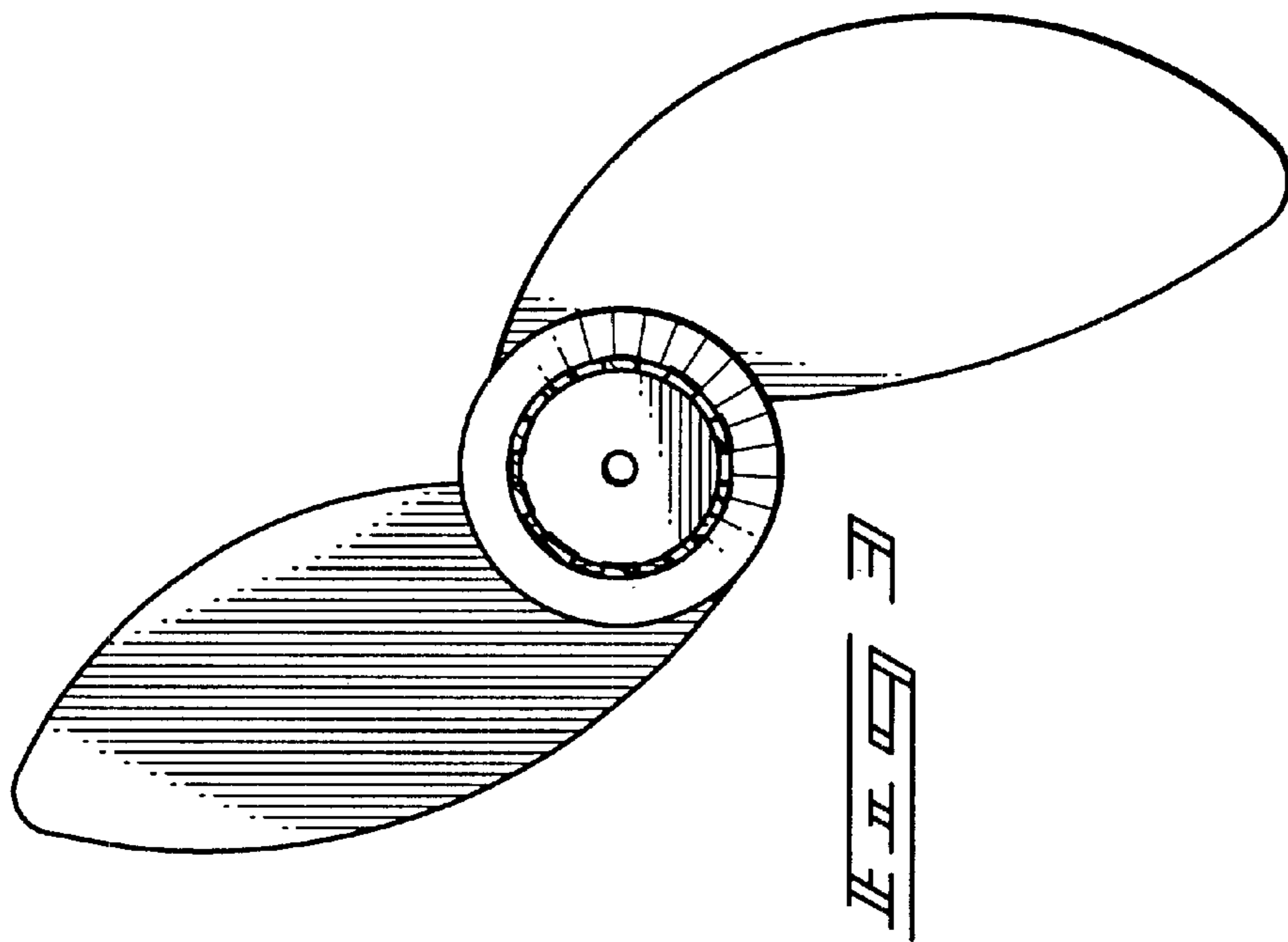
**DESCRIPTION**

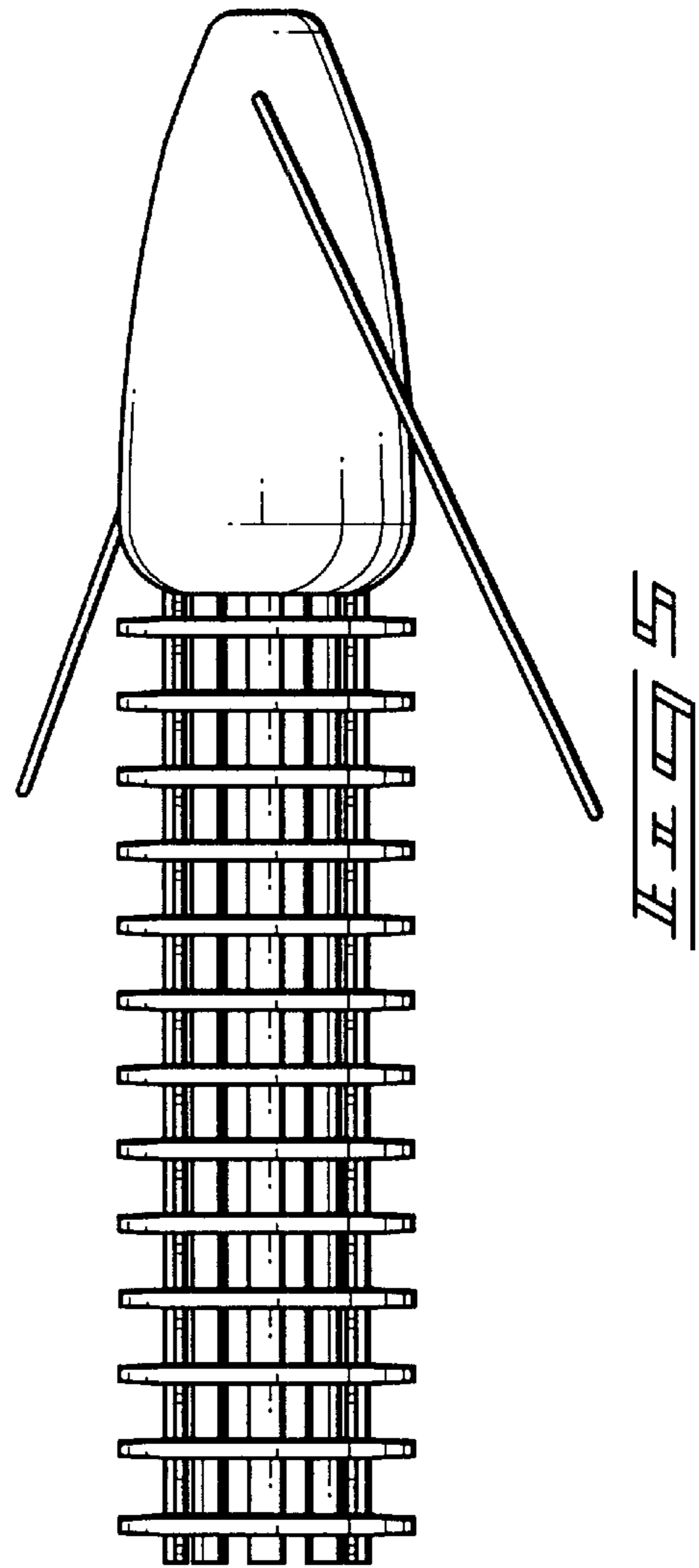
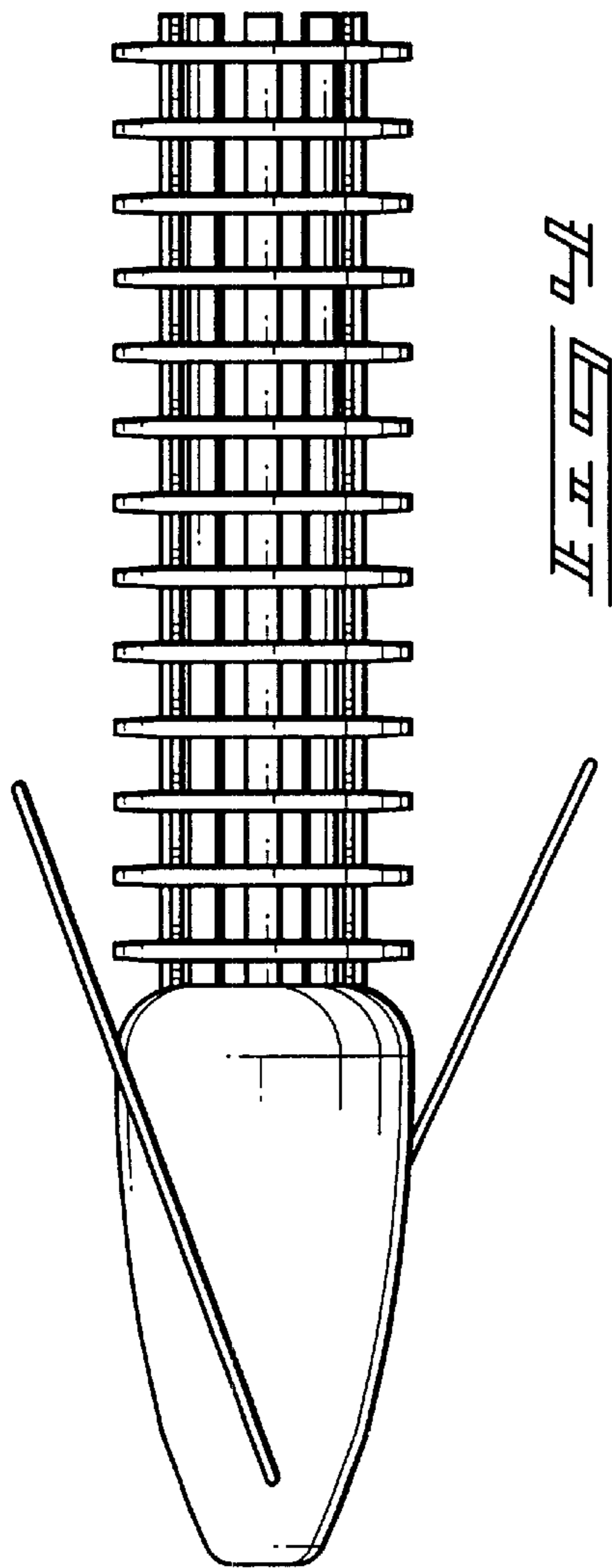
FIG. 1 is a perspective view of a spinning fishing lure body showing my new design;  
FIG. 2 is a front end view thereof;  
FIG. 3 is a rearward end view thereof;  
FIG. 4 is a side elevation view thereof as seen from the right in FIG. 1;  
FIG. 5 is a side elevation view as seen from the left in FIG. 1; and,  
FIG. 6 is a top plan view thereof.

**1 Claim, 4 Drawing Sheets**









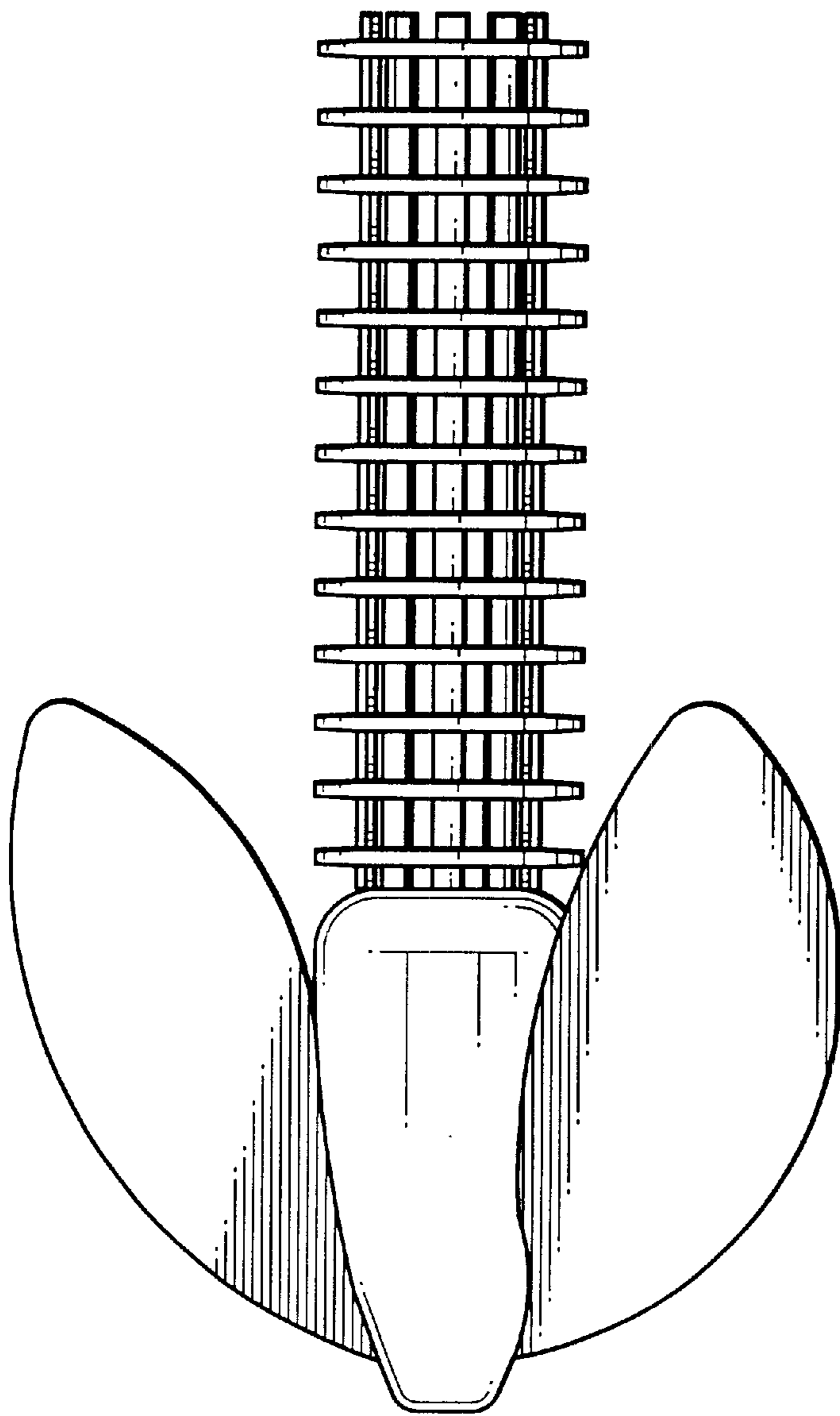


FIG. 1