



US00D466178S

(12) **United States Design Patent**
Lah

(10) **Patent No.:** **US D466,178 S**

(45) **Date of Patent:** **** Nov. 26, 2002**

(54) **JOINT FOR TENT POLE**

(76) Inventor: **Jeh-kun Lah**, 542-3, Gajwa-dong,
Suh-ku, Inchon (KR), 404-250

(**) Term: **14 Years**

(21) Appl. No.: **29/155,230**

(22) Filed: **Feb. 6, 2002**

(30) **Foreign Application Priority Data**

Aug. 6, 2001 (KR) 2001-21812

(51) **LOC (7) Cl.** **21-04**

(52) **U.S. Cl.** **D21/839**

(58) **Field of Search** D21/834-839;
135/120.3, 121, 124-138, 143, 156, 114,
120.1, 142; 446/476; 403/109

(56) **References Cited**

U.S. PATENT DOCUMENTS

942,490 A * 12/1909 Dunn 403/109
2,579,947 A * 12/1951 McIlwaine 135/120.3
3,424,178 A * 1/1969 Yazaki 135/120.3
D259,654 S * 6/1981 Baba D21/839

4,352,362 A * 10/1982 Nichols 135/120.3
4,811,751 A * 3/1989 Maloney, II 446/476
5,598,668 A * 2/1997 Isom 135/142

* cited by examiner

Primary Examiner—Raphael Barkai

(74) *Attorney, Agent, or Firm*—Knobbe, Martens, Olson &
Bear, LLP

(57) **CLAIM**

The ornamental design for a joint for tent pole, as shown.

DESCRIPTION

FIG. 1 is a perspective view of a joint for tent pole showing my new design;
FIG. 2 is a front elevational view thereof;
FIG. 3 is a back elevational view thereof;
FIG. 4 is a left side elevational view thereof;
FIG. 5 is a top plan view thereof; and,
FIG. 6 is a cross-sectional view thereof; the right side elevational view thereof is identical to the left side elevational view of FIG. 4; and the bottom plan view thereof is identical to the top plan view of FIG. 5.

1 Claim, 6 Drawing Sheets

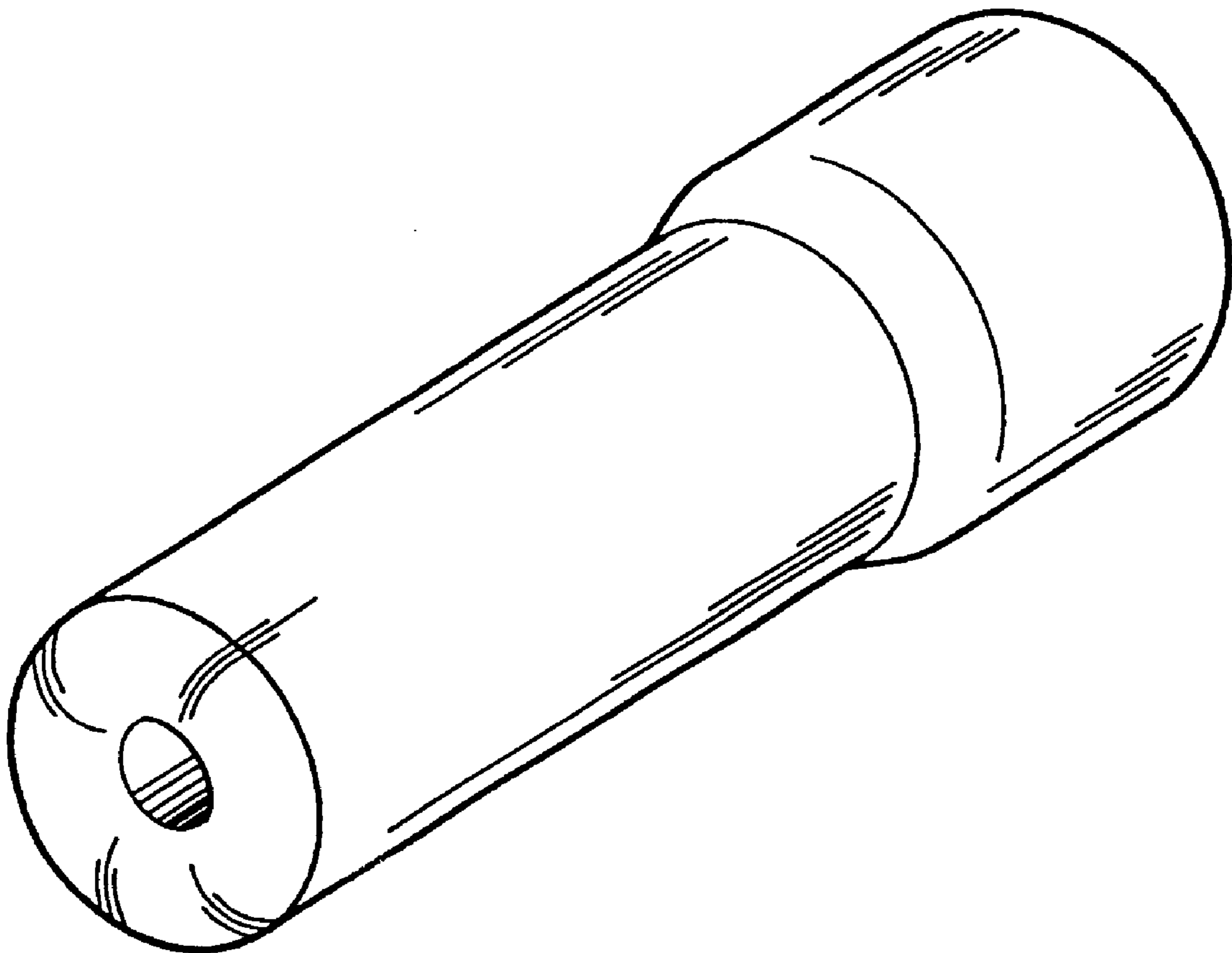


Fig. 1

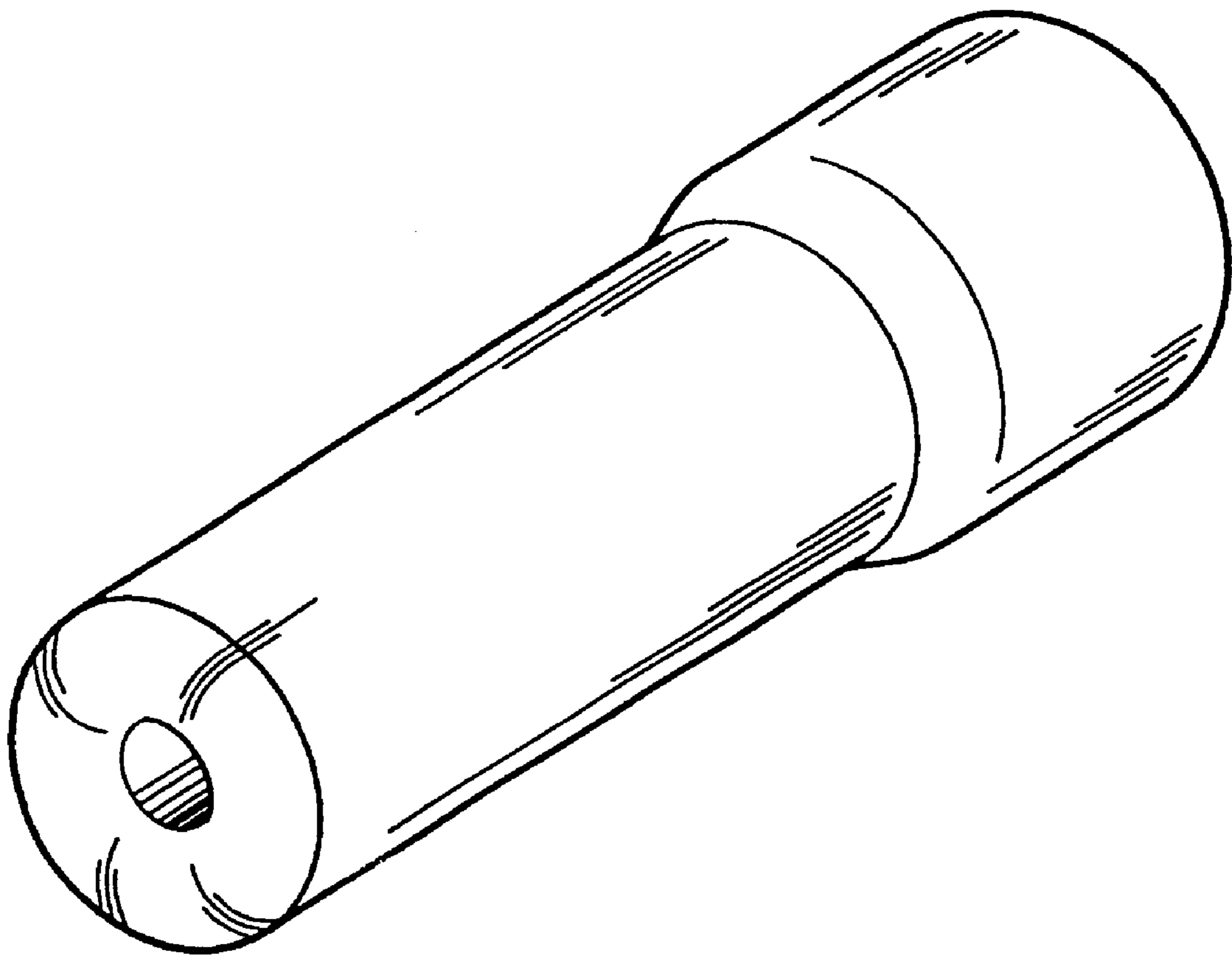


Fig. 2

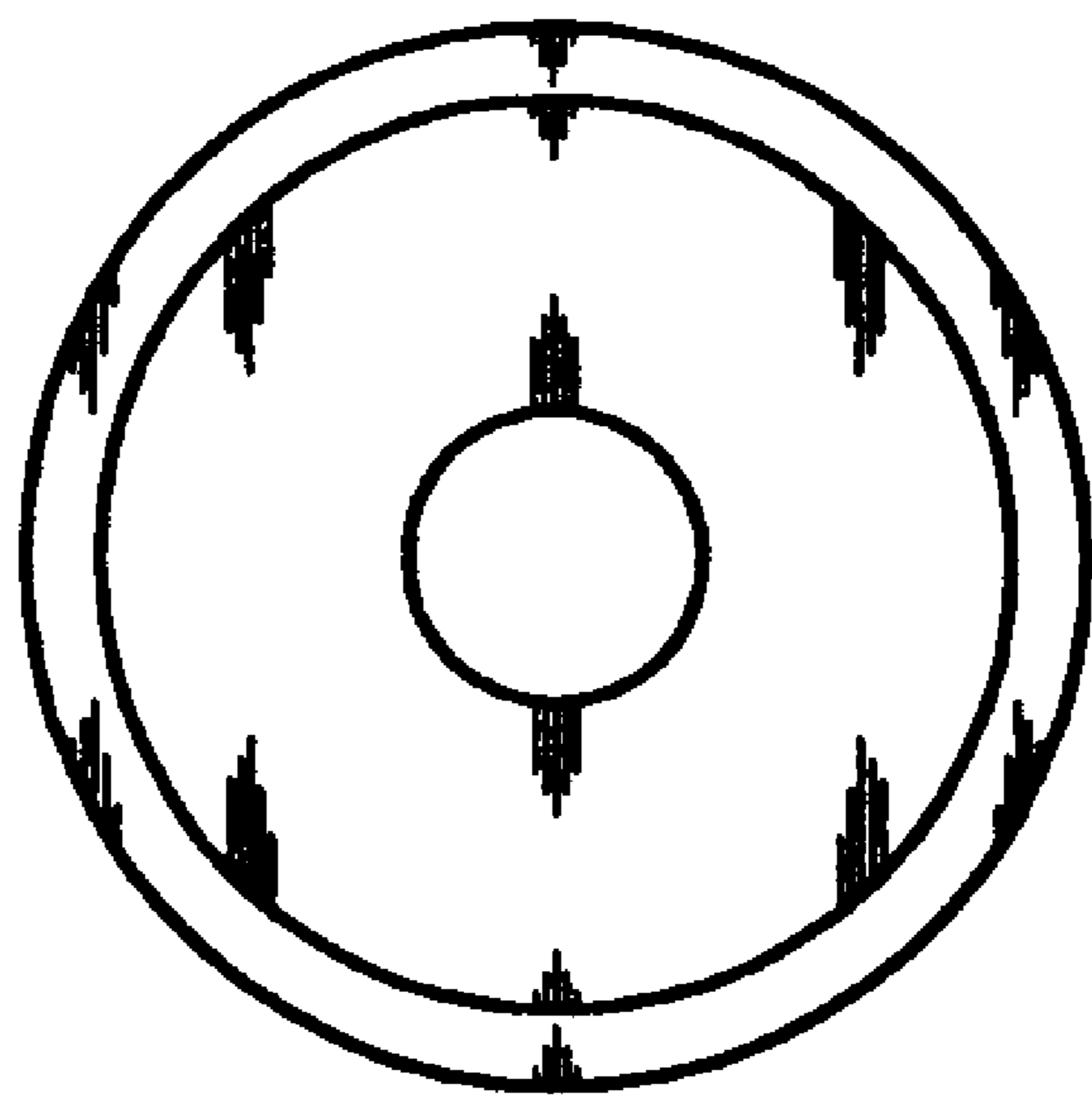


Fig. 3

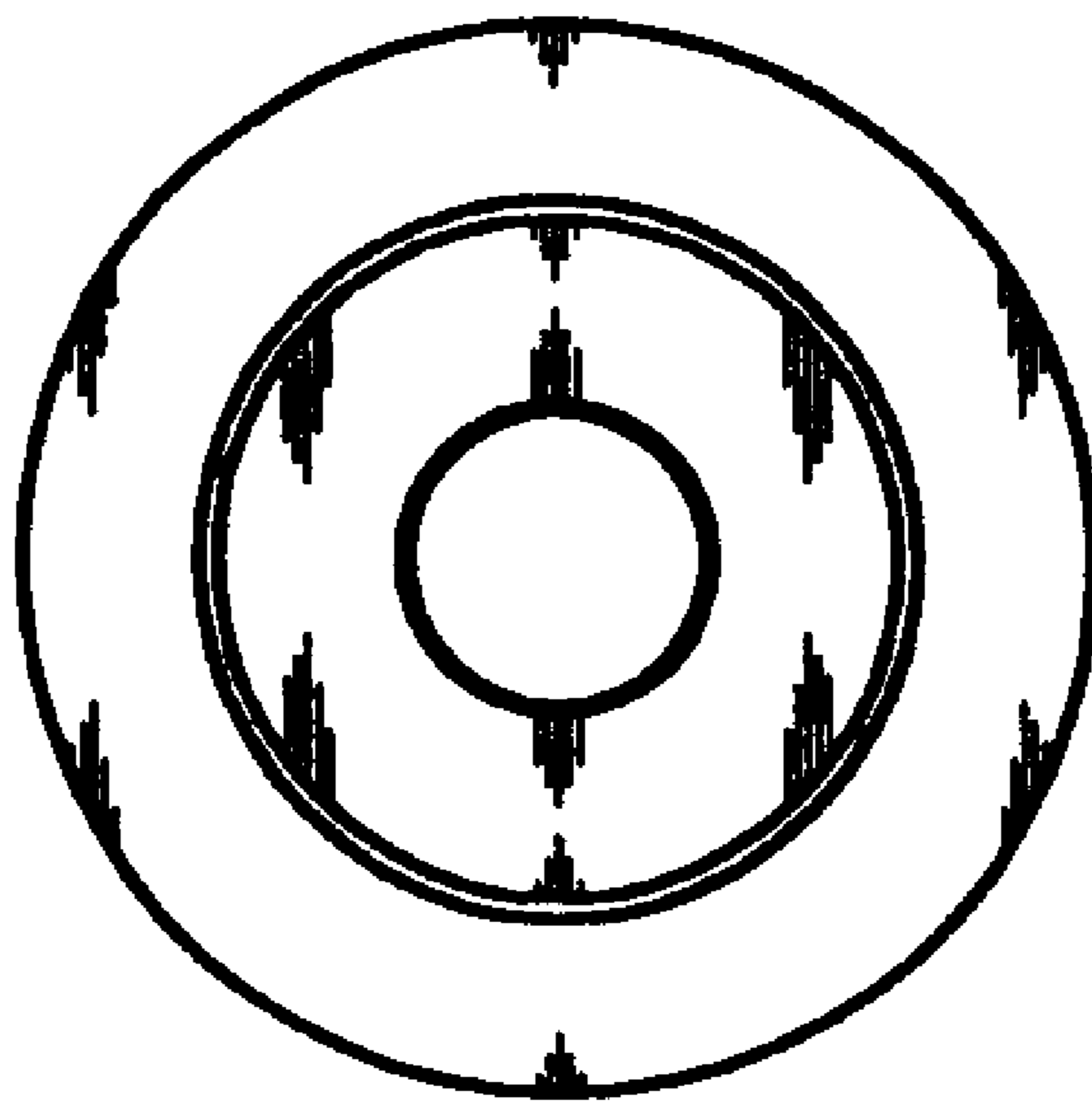


Fig.4

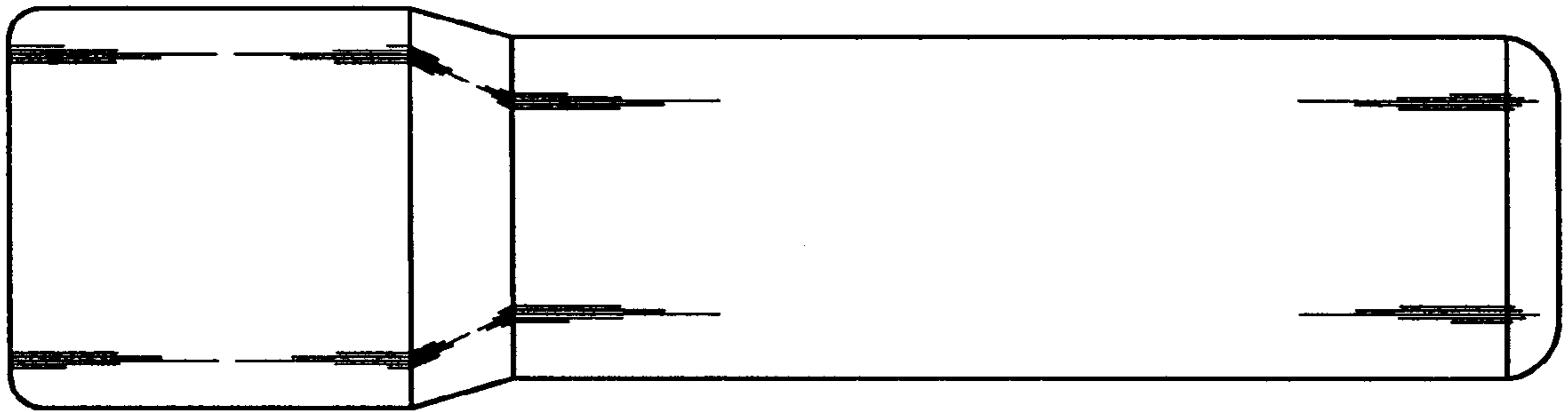


Fig.5

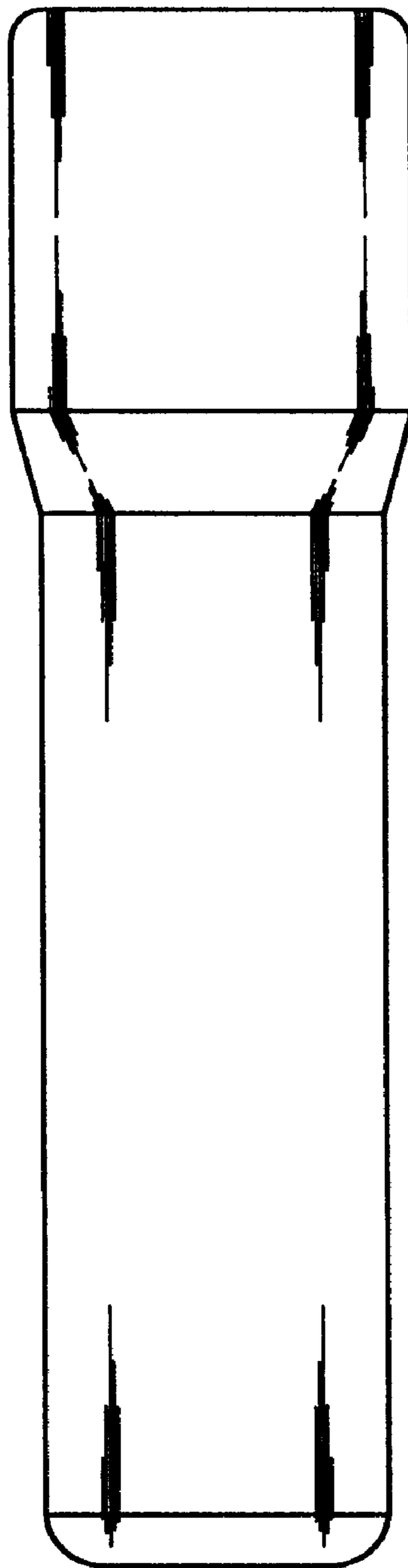


Fig.6

