



US00D466177S

(12) **United States Design Patent**
Carter et al.

(10) **Patent No.:** **US D466,177 S**

(45) **Date of Patent:** **** Nov. 26, 2002**

(54) **CYLINDRICAL CRANE GAME**

(76) Inventors: **Shane P. Carter**, 8701 Stahley Rd.,
East Amherst, NY (US) 14051; **Michael**
Andrews, 388 Cayuga Creek Rd.,
Alden, NY (US) 14004

(**) Term: **14 Years**

(21) Appl. No.: **29/153,090**

(22) Filed: **Nov. 9, 2001**

(51) **LOC (7) Cl.** **21-03**

(52) **U.S. Cl.** **D21/811**

(58) **Field of Search** D21/811-813,
D21/300, 325-327; 273/447, 448, 459,
460, 440; 463/1, 25; 221/210, 211, 212

(56) **References Cited**

U.S. PATENT DOCUMENTS

D95,156 S	*	4/1935	Soellner	D21/811
5,271,628 A	*	12/1993	Okada	273/448
5,397,134 A	*	3/1995	Fishman et al.	463/25
D366,304 S	*	1/1996	Lewis	D21/811
5,653,446 A	*	8/1997	Lin	273/447

5,678,823 A	*	10/1997	Chaffee et al.	273/448
D386,231 S	*	11/1997	Wei	D21/811
D421,284 S	*	2/2000	Huang	D21/811
6,139,429 A	*	10/2000	Shoemaker, Jr.	273/448
6,283,475 B1	*	9/2001	Stibben	273/448

* cited by examiner

Primary Examiner—Prabhakar Deshmukh
(74) *Attorney, Agent, or Firm*—Simpson & Simpson, PLLC

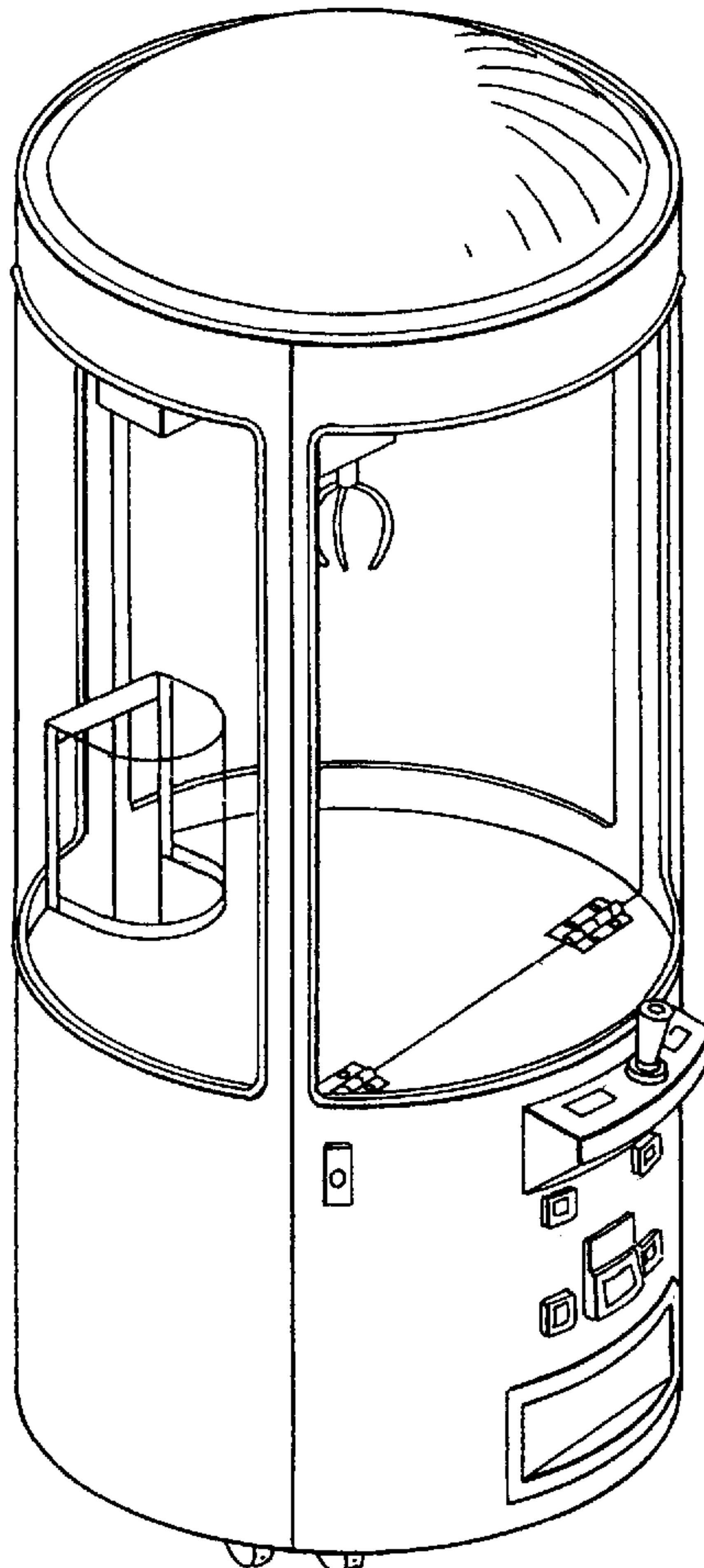
(57) **CLAIM**

The ornamental design for a cylindrical crane game, as shown.

DESCRIPTION

FIG. 1 is a perspective view of a cylindrical crane game showing my new design;
FIG. 2 is a front elevational view thereof;
FIG. 3 is a rear elevational view thereof;
FIG. 4 is a left side elevational view thereof;
FIG. 5 is a right side elevational view thereof;
FIG. 6 is a top plan view thereof; and,
FIG. 7 is a bottom plan view thereof.

1 Claim, 3 Drawing Sheets



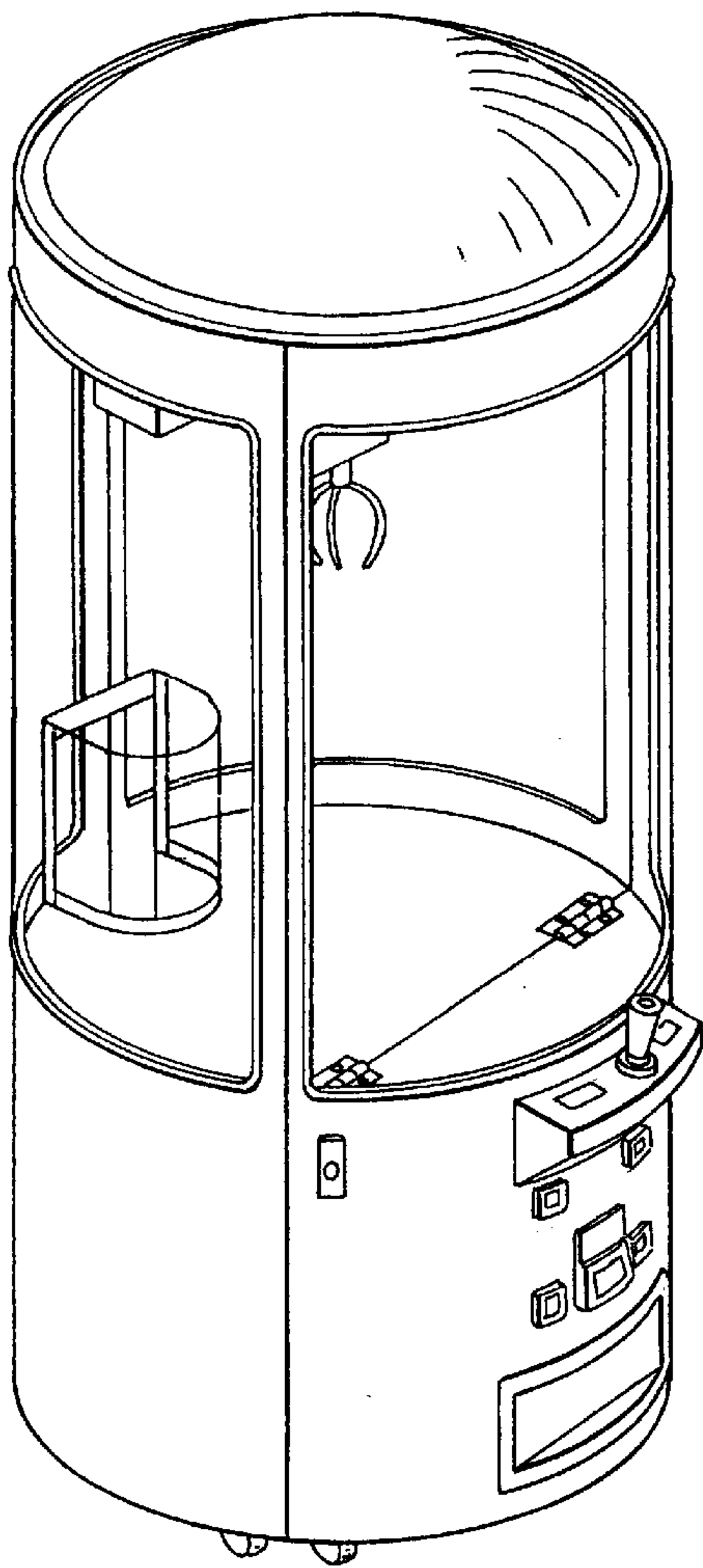


FIG. 1

FIG. 6

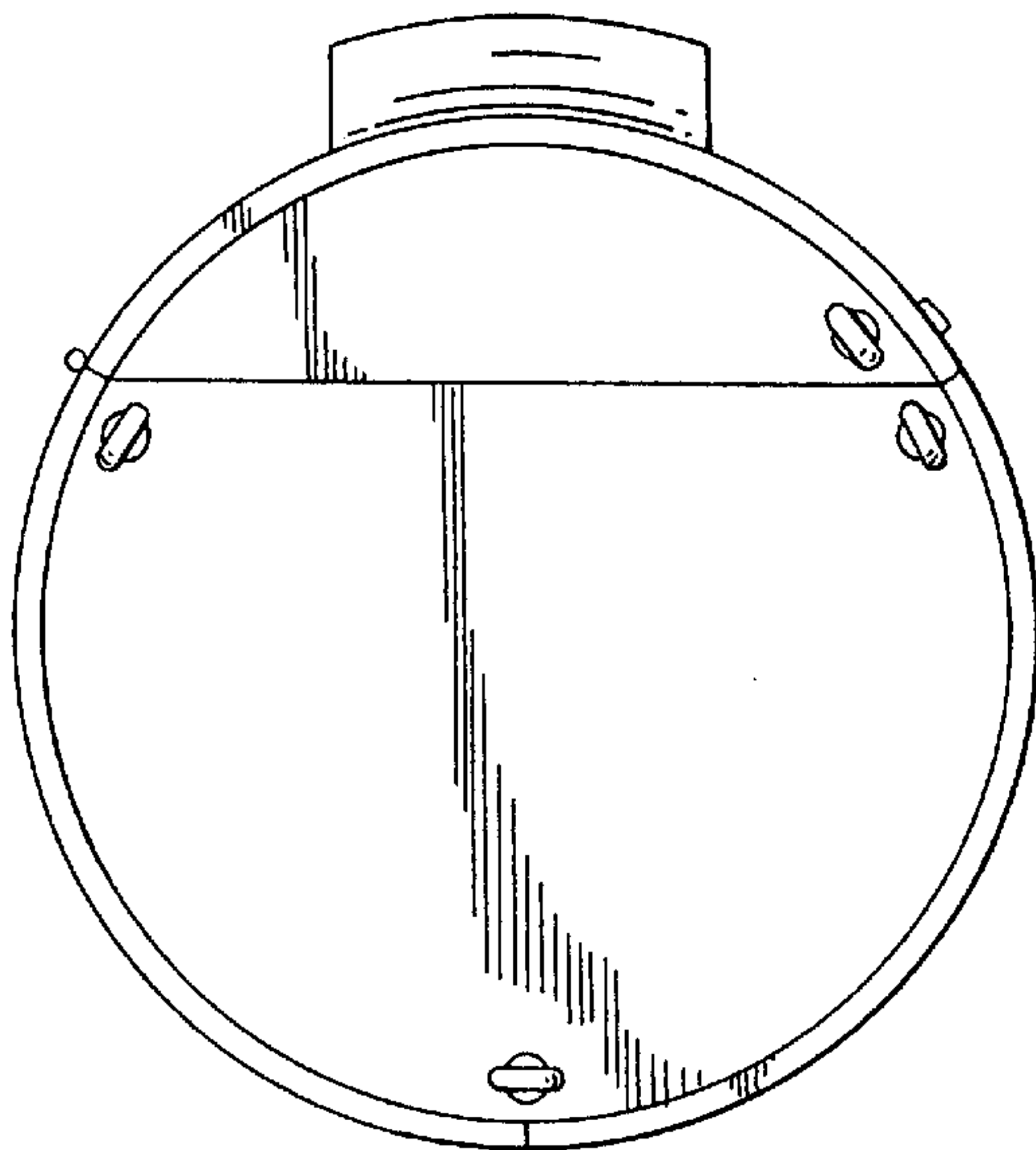
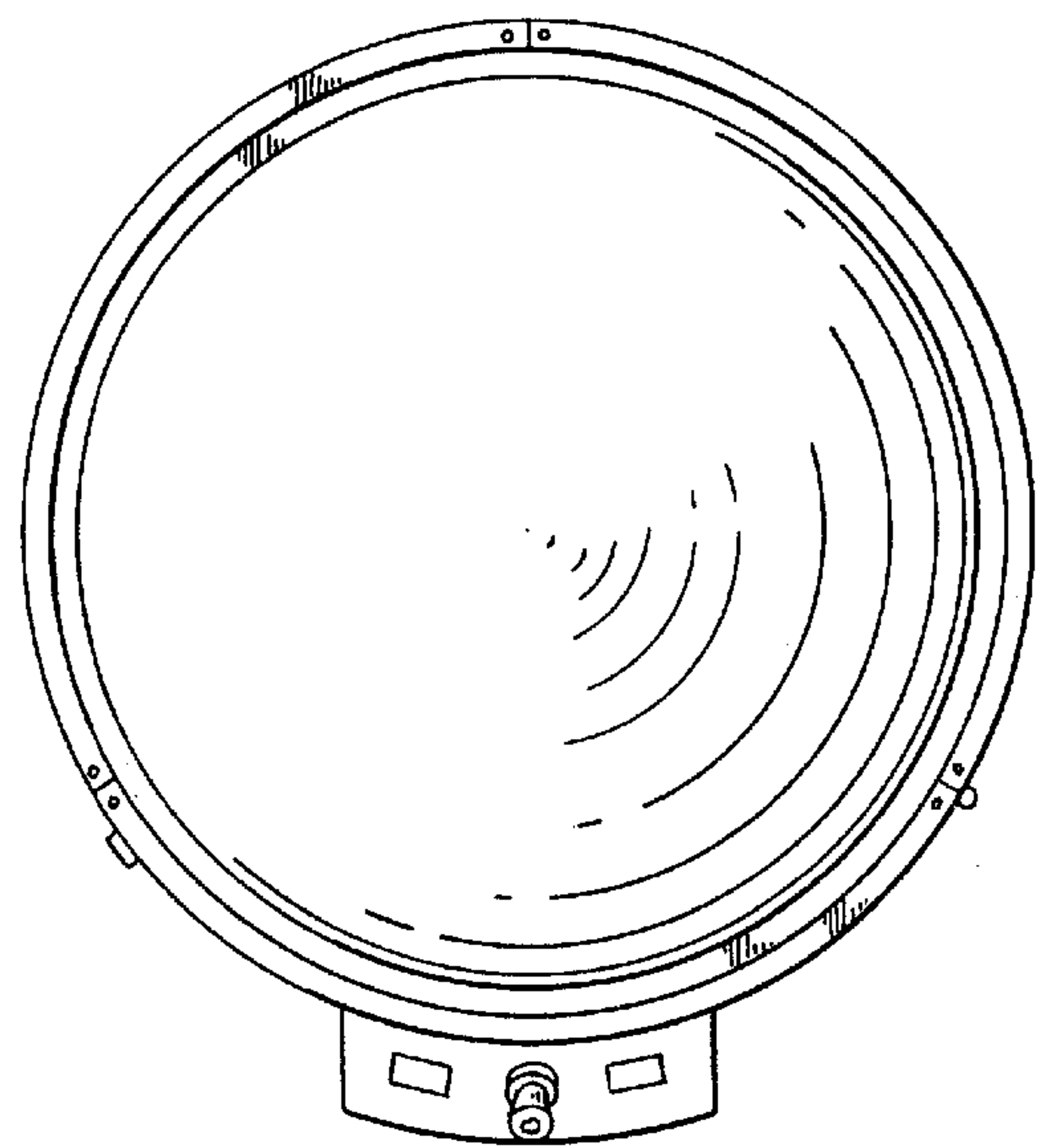


FIG. 7

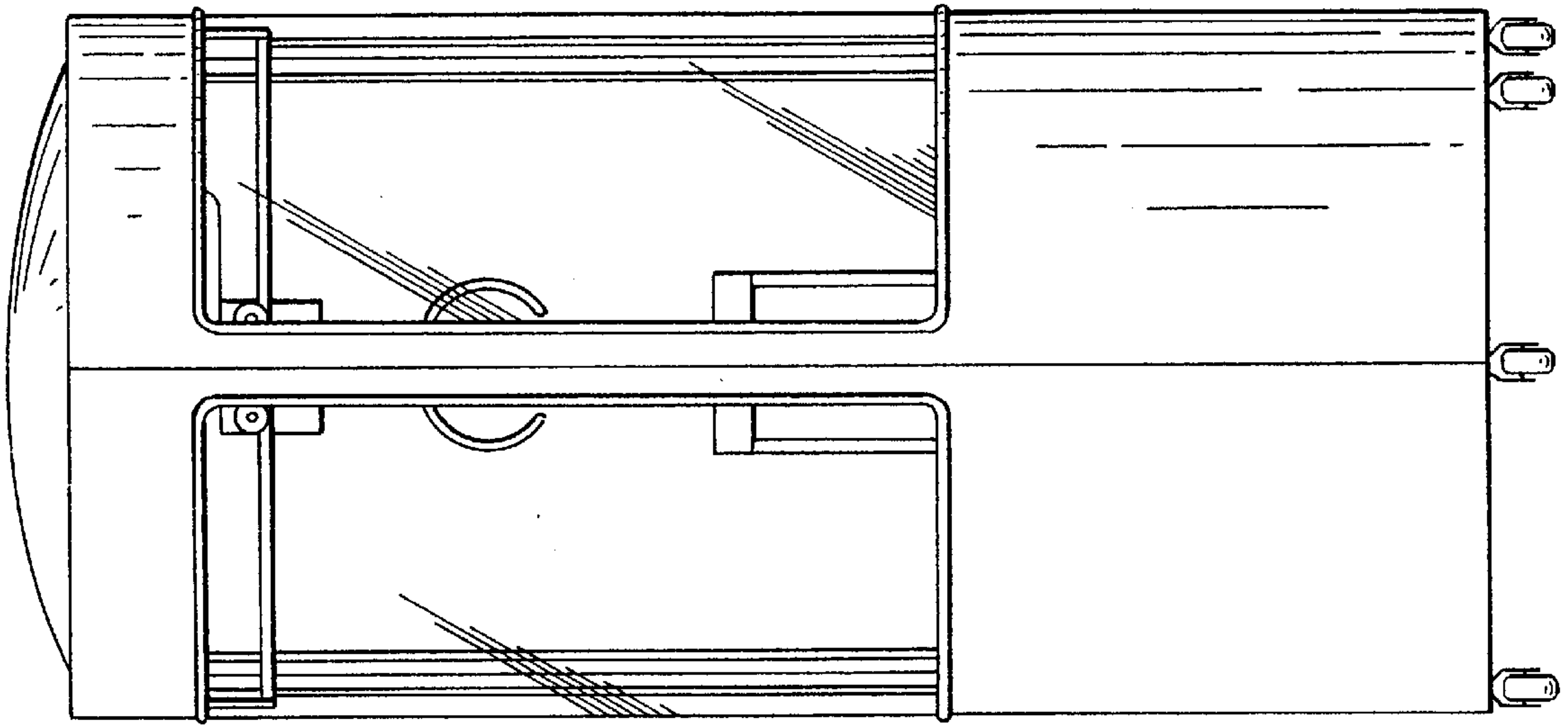
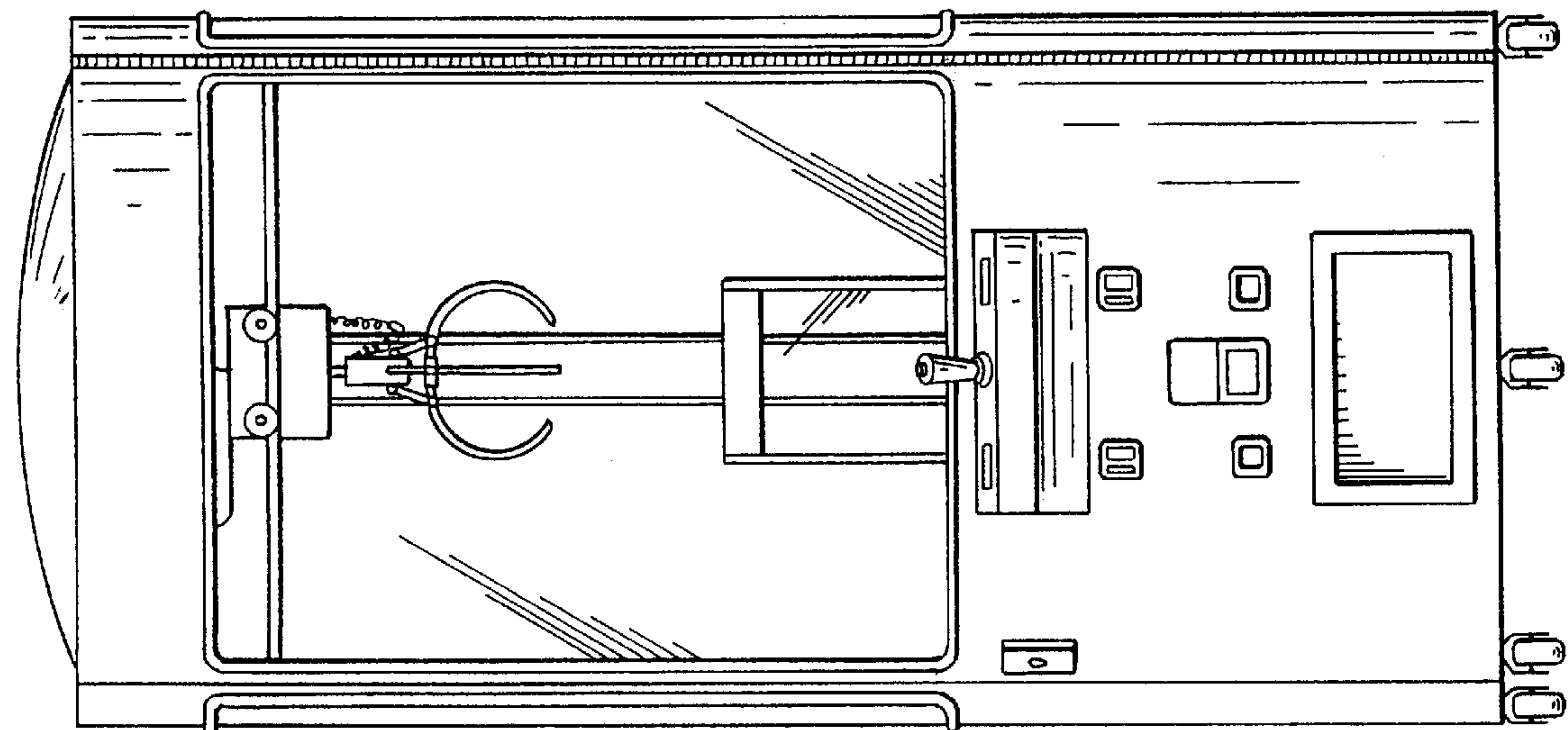


FIG. 2

FIG. 3



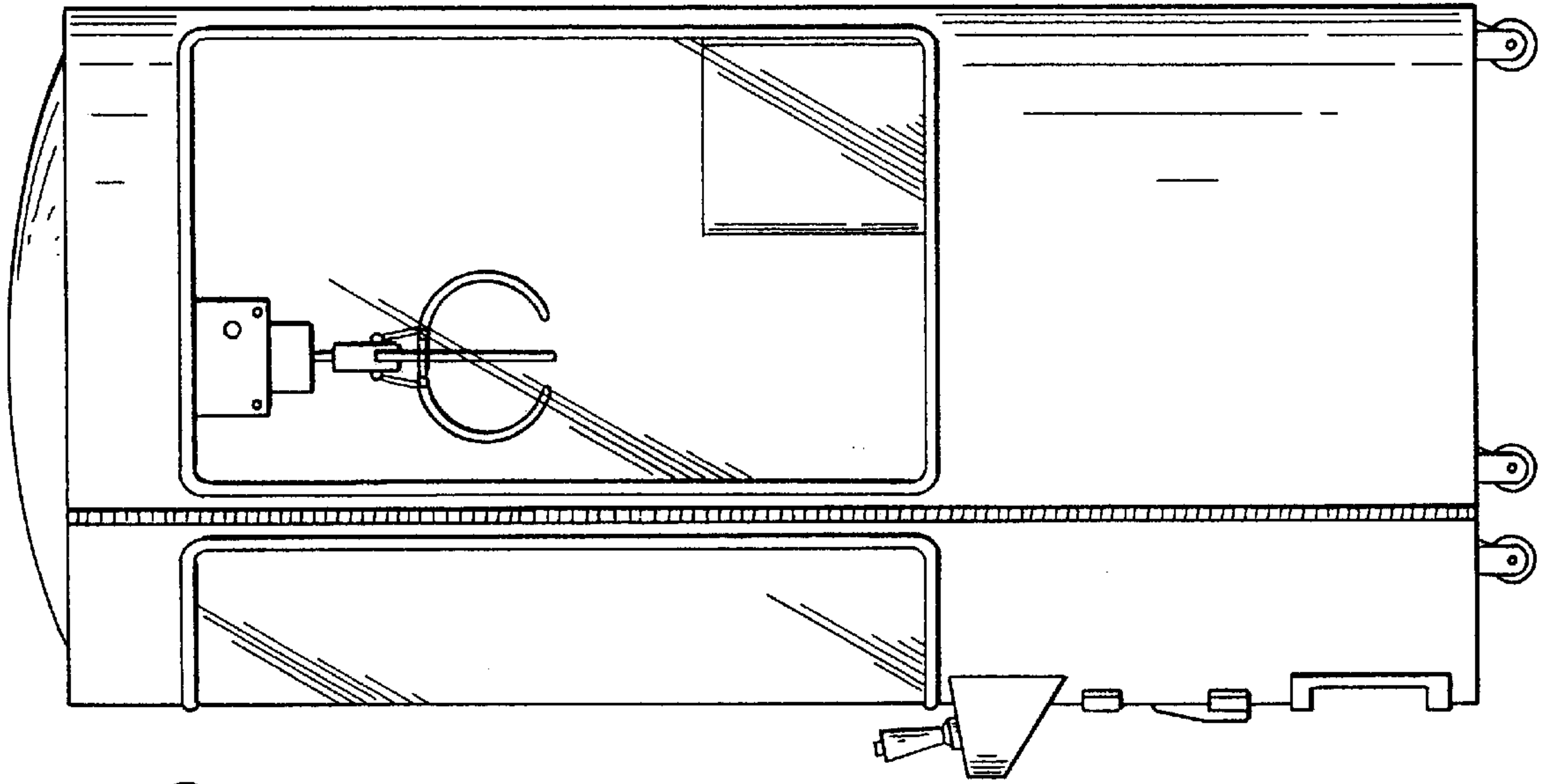


FIG. 5

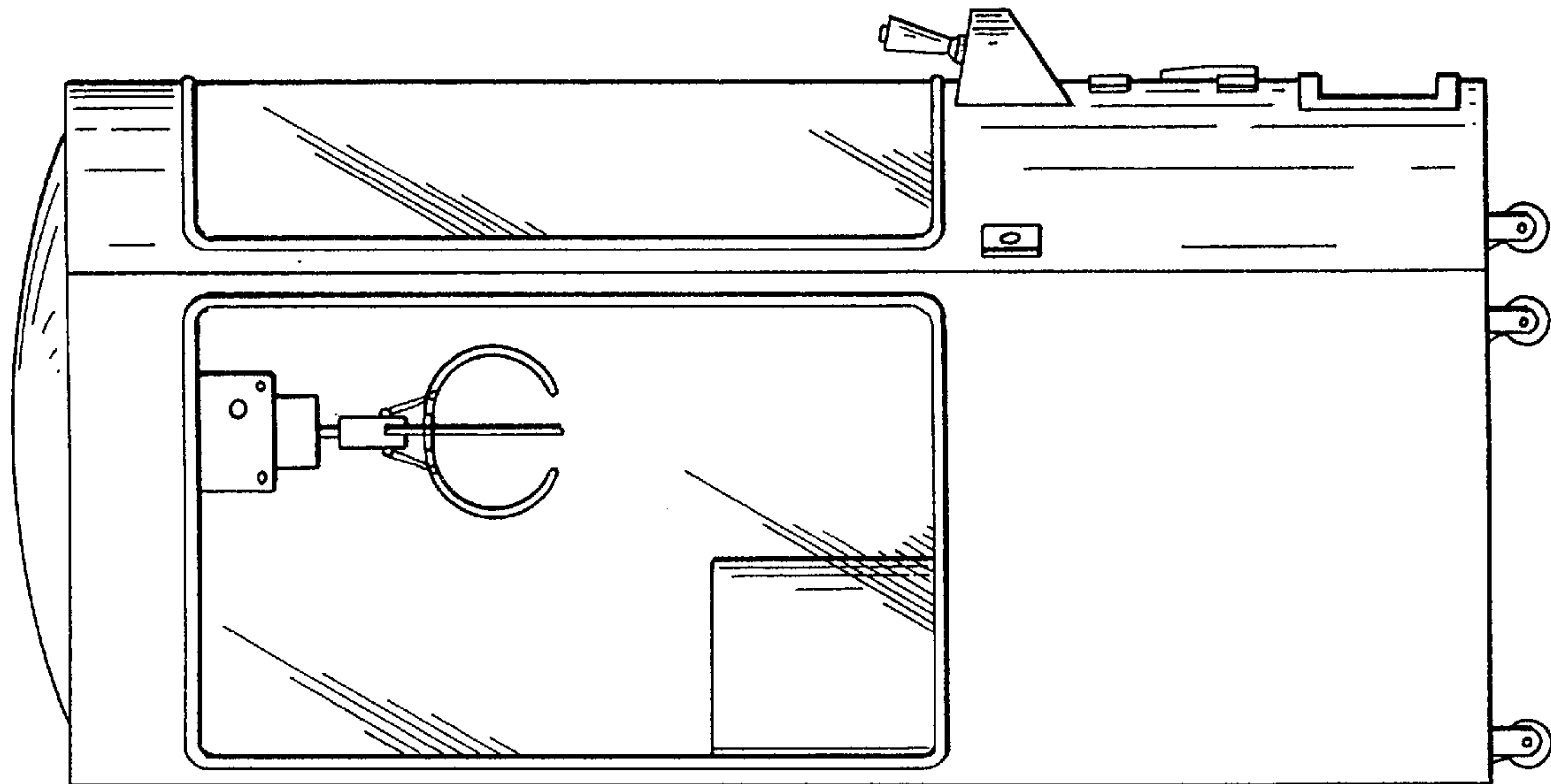


FIG. 4