



US00D466176S

(12) **United States Design Patent**
Peterson

(10) **Patent No.:** **US D466,176 S**

(45) **Date of Patent:** **** Nov. 26, 2002**

(54) **INFLATABLE LOUNGE**

(75) Inventor: **Leroy L. Peterson**, Omaha, NE (US)

(73) Assignee: **Sportsstuff, Inc.**, Omaha, NE (US)

(**) Term: **14 Years**

(21) Appl. No.: **29/155,699**

(22) Filed: **Feb. 14, 2002**

(51) **LOC (7) Cl.** **21-02**

(52) **U.S. Cl.** **D21/803**

(58) **Field of Search** D21/801, 803,
D21/809, 769, 770; D12/316; 441/129-132,
66, 40; 114/345; D6/335, 336, 604; 297/452.41

(56) **References Cited**

U.S. PATENT DOCUMENTS

3,740,095 A	*	6/1973	Nail	297/452.41
D290,108 S	*	6/1987	Wolfe	D21/803
D293,012 S	*	12/1987	Storey et al.	D21/809
D299,941 S	*	2/1989	Chang	D21/809
D308,402 S	*	6/1990	Chang	D21/769

5,360,360 A	*	11/1994	Peterson	441/130
D371,252 S	*	7/1996	Chaput	D21/809
D375,991 S	*	11/1996	Peterson	D21/803
D404,104 S	*	1/1999	Scheurer et al.	D21/803
D435,240 S	*	12/2000	Peterson	D21/803

* cited by examiner

Primary Examiner—Jucy Lieberman

(74) *Attorney, Agent, or Firm*—Henderson & Sturm LLP

(57) **CLAIM**

The ornamental design for an inflatable lounge, as shown and described.

DESCRIPTION

FIG. 1 is a perspective view of the inflatable lounge showing my new design;

FIG. 2 is a top plan view thereof;

FIG. 3 is a left side elevational view thereof;

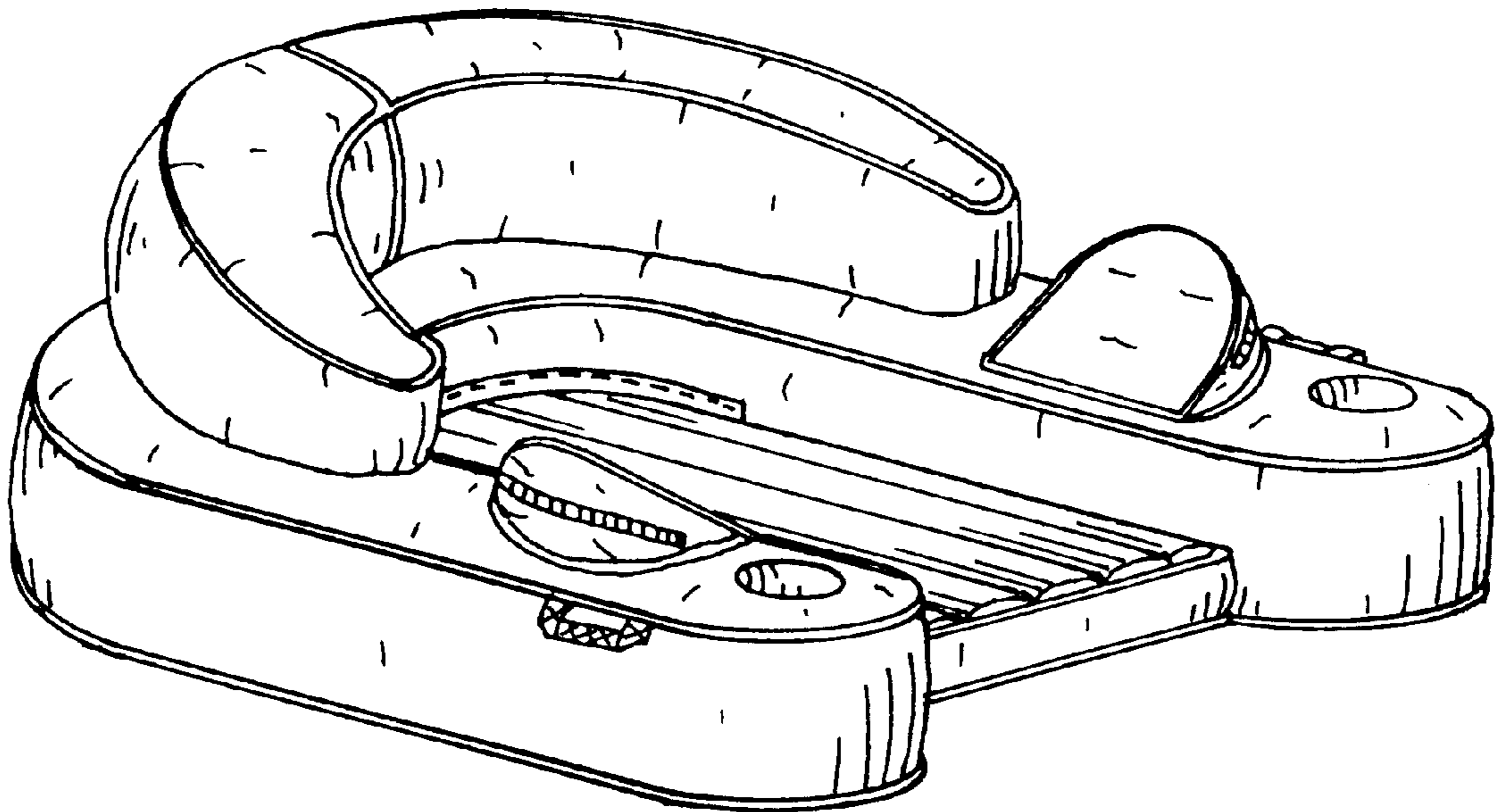
FIG. 4 is a right side elevational view thereof;

FIG. 5 is a front elevational view thereof;

FIG. 6 is a rear elevational thereof; and,

FIG. 7 is a bottom plan view thereof.

1 Claim, 2 Drawing Sheets



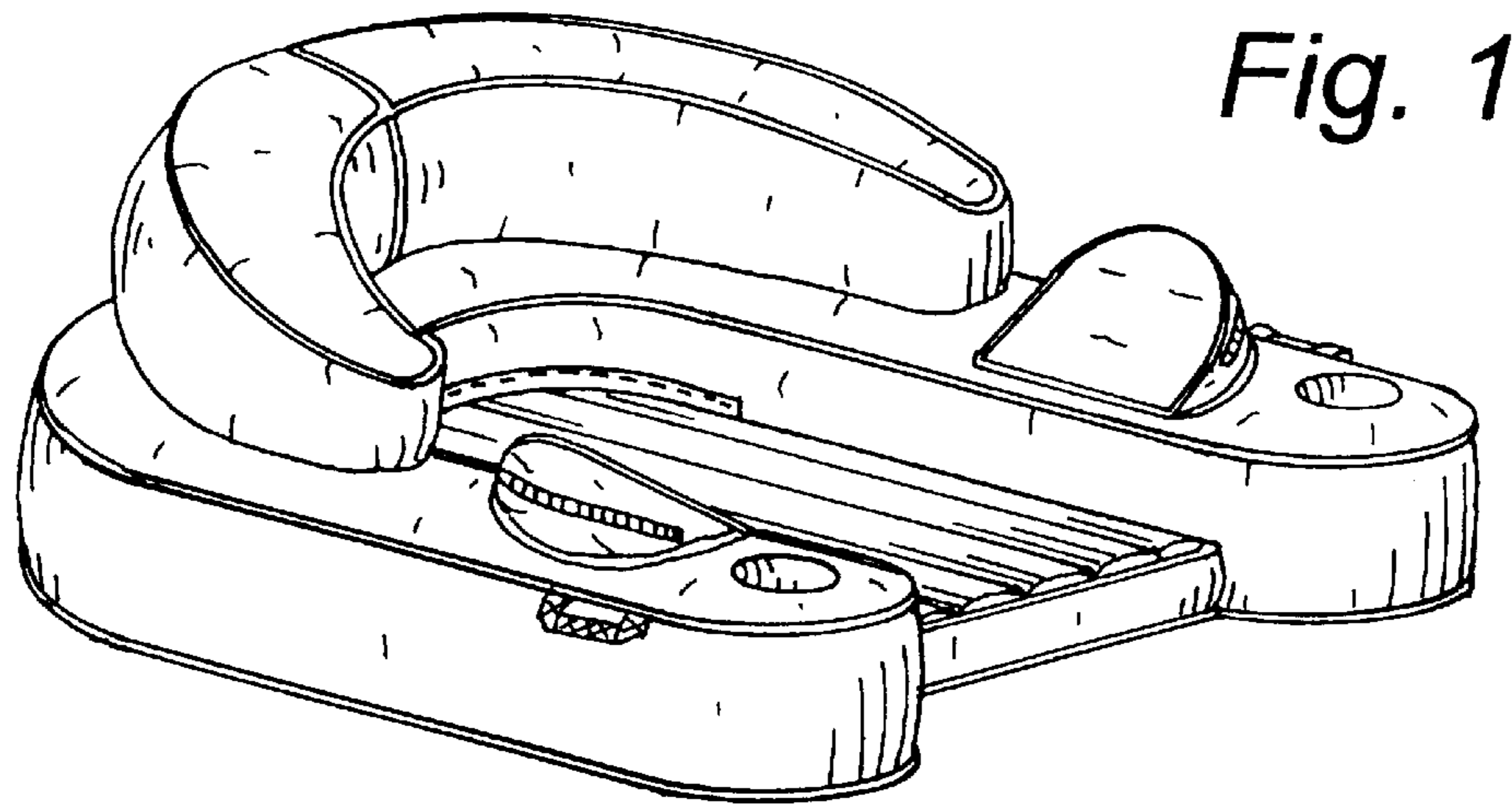


Fig. 1

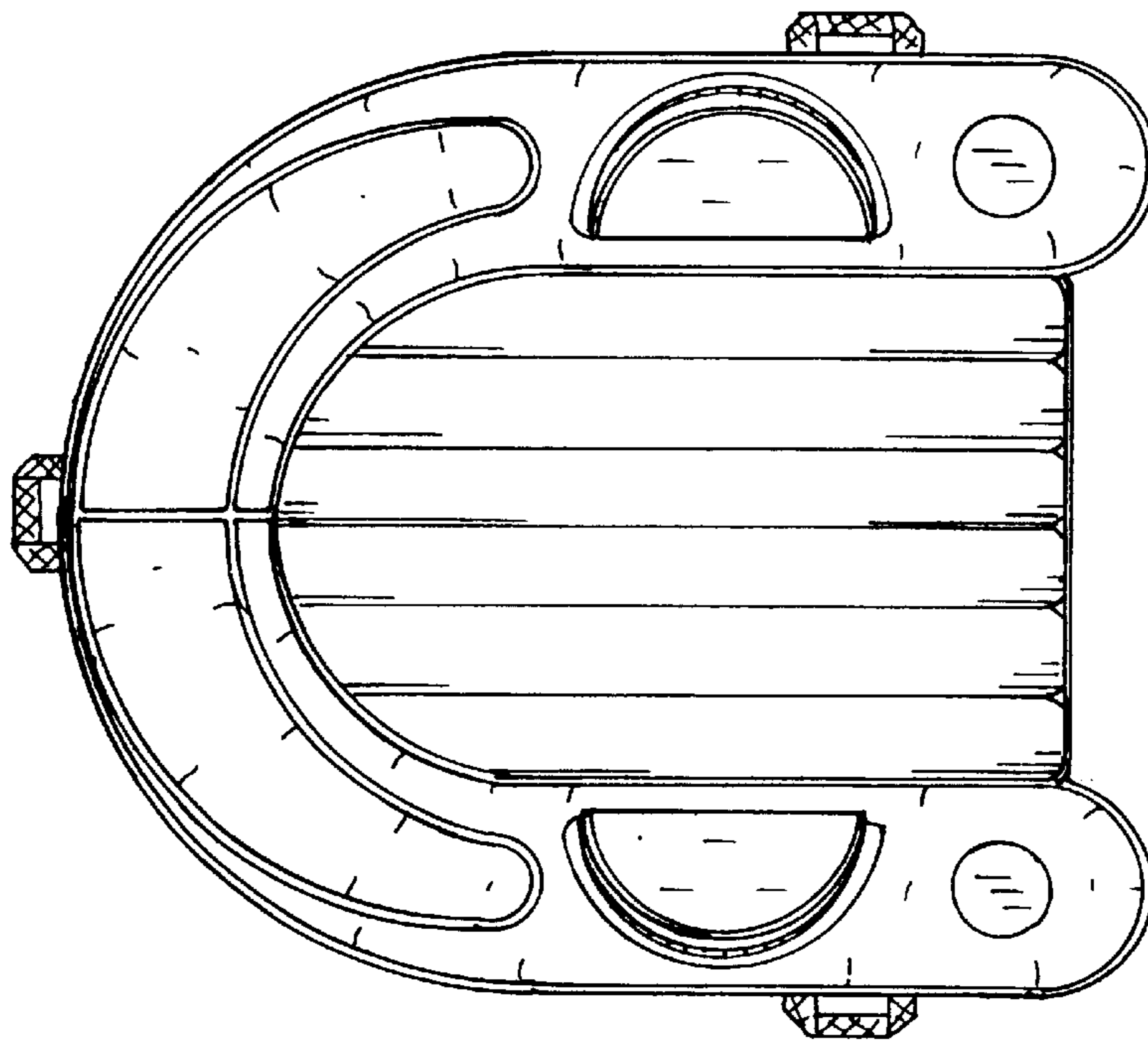


Fig. 2

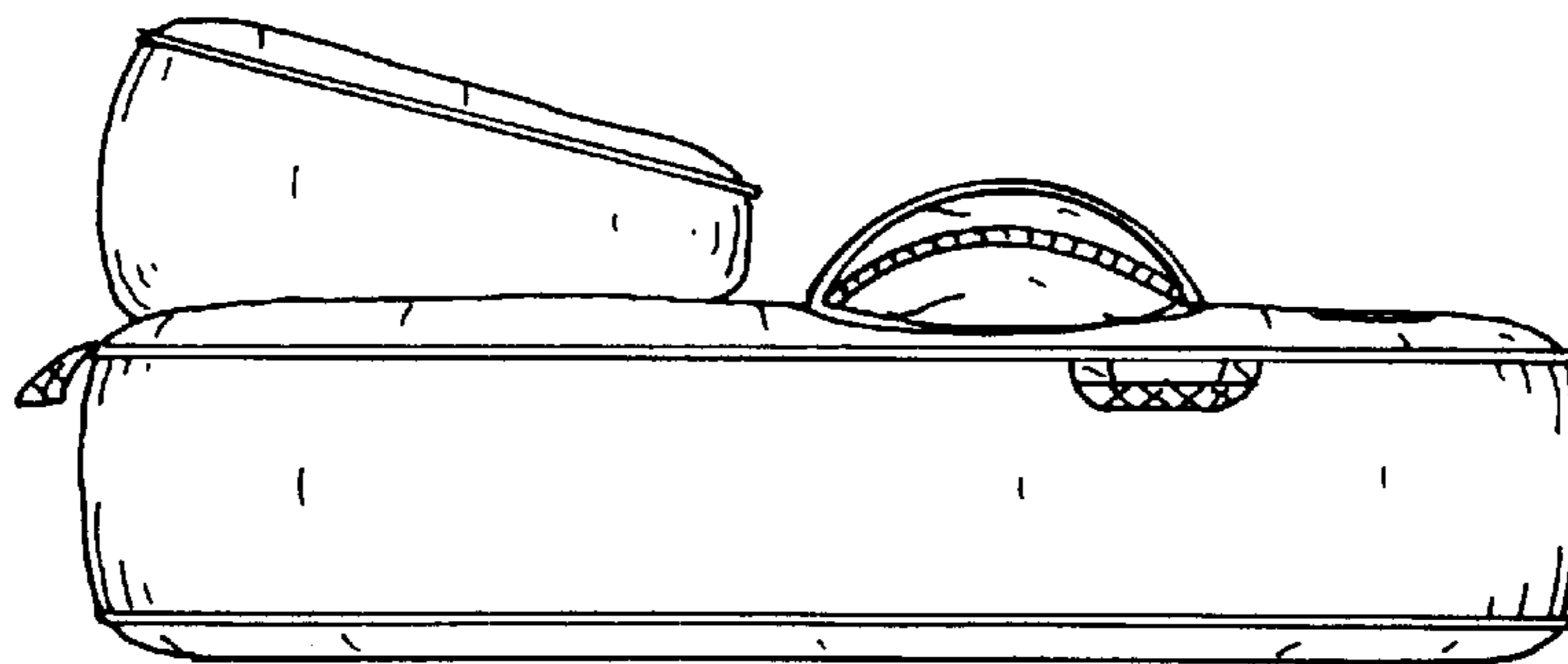


Fig. 3

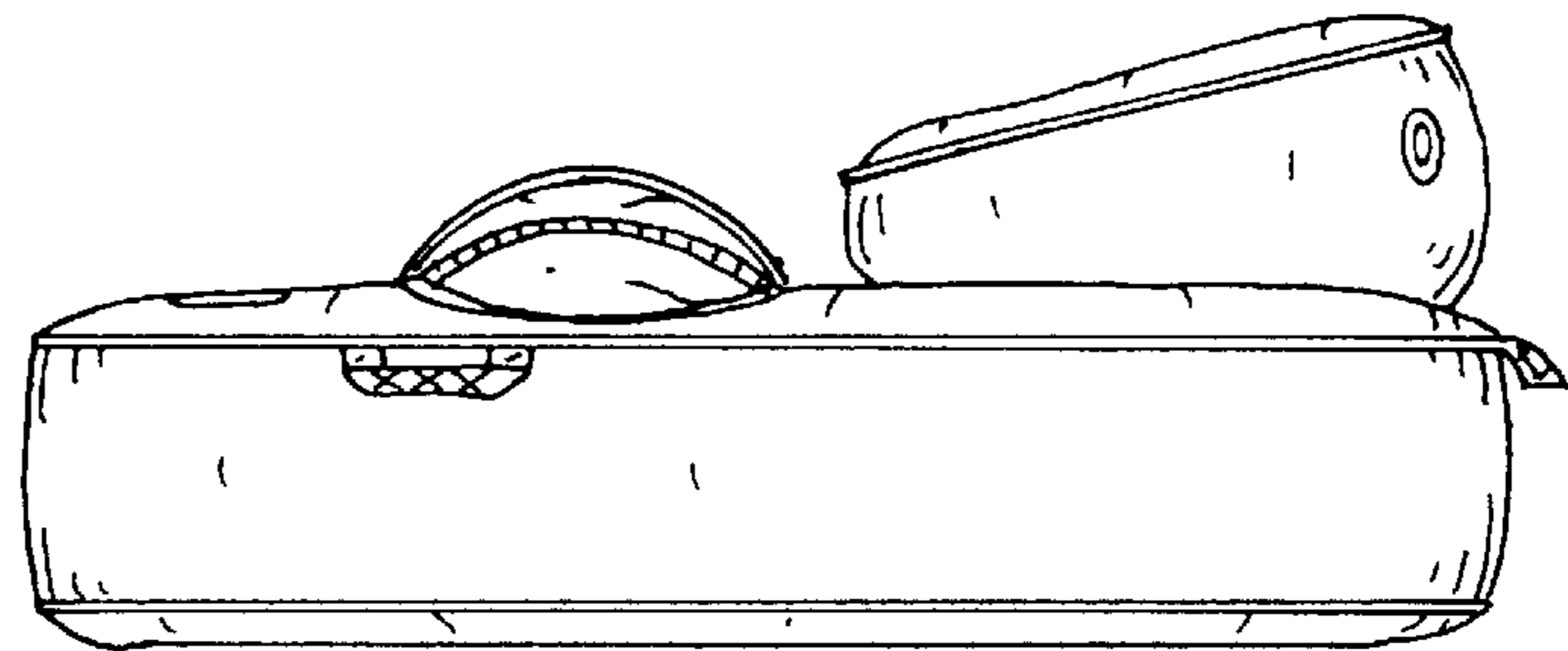


Fig. 4

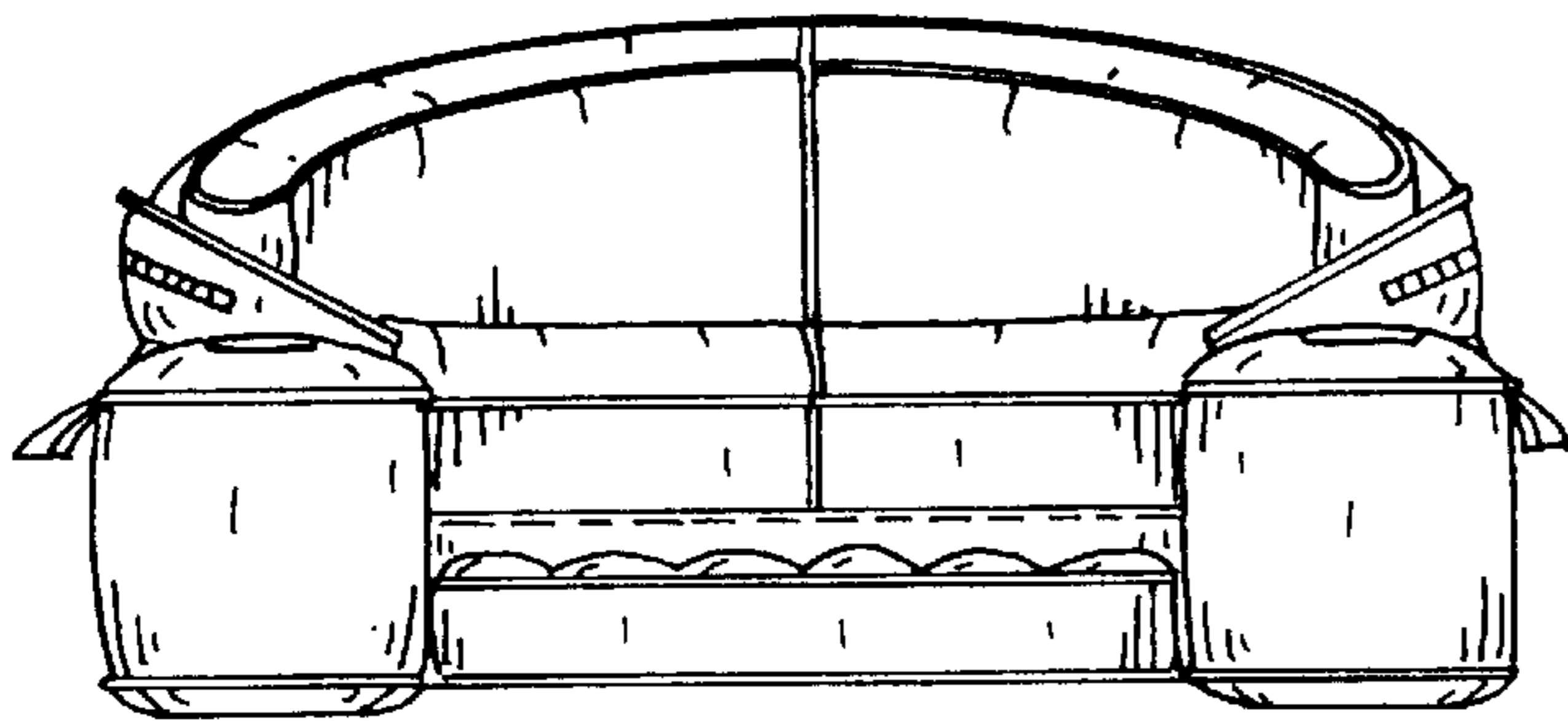


Fig. 5

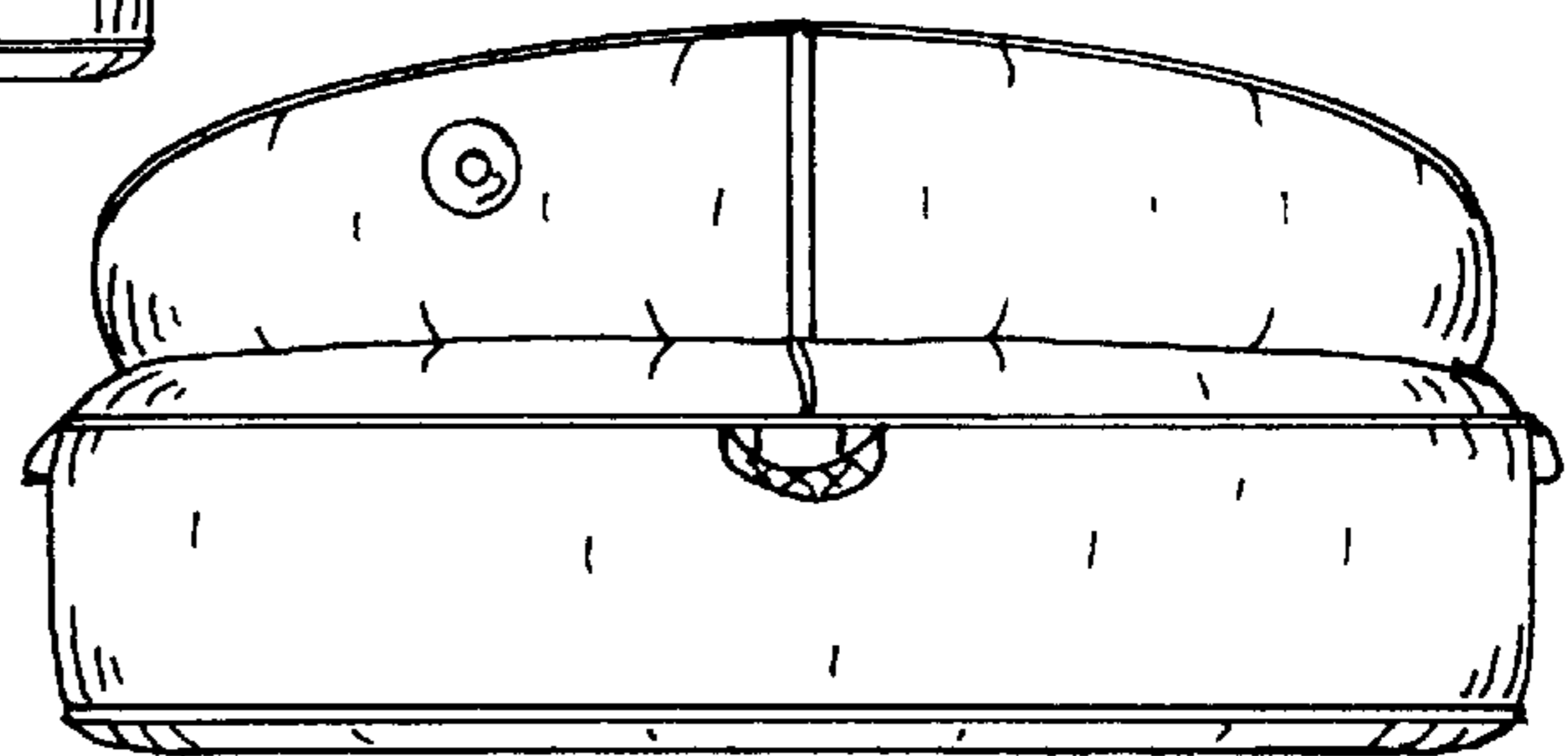


Fig. 6

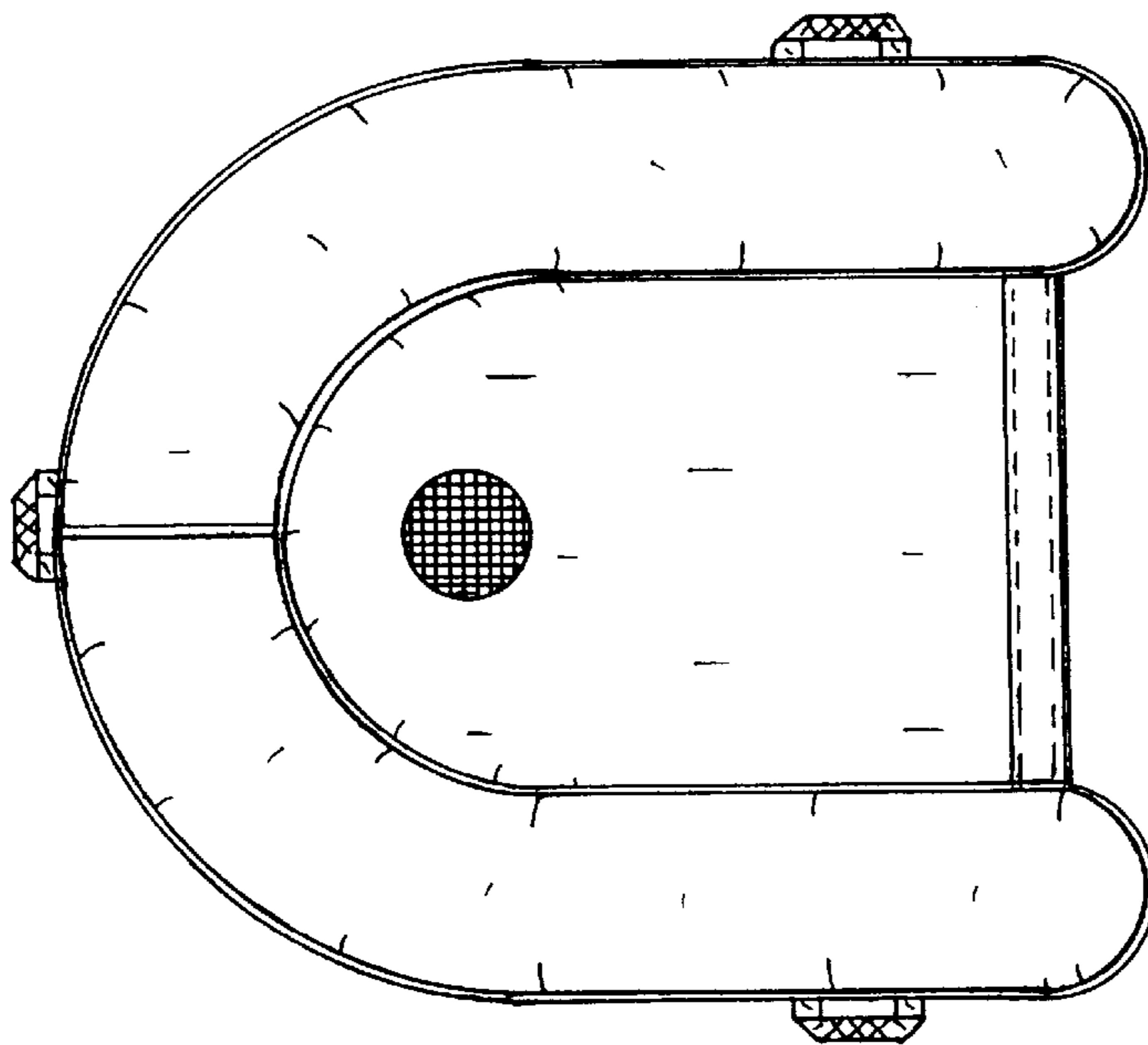


Fig. 7