



US00D466172S

(12) **United States Design Patent**
Pontiff

(10) **Patent No.:** **US D466,172 S**

(45) **Date of Patent:** **** Nov. 26, 2002**

(54) **LEPRECHAUN GOLF HEAD COVER**

D417,899 S * 12/1999 Sloan D21/754
6,113,457 A * 9/2000 Kociemba 150/160
D443,666 S * 6/2001 Perry et al. D21/754

(76) Inventor: **Ronald A. Pontiff**, 1203 Simmons St.,
New Bern, NC (US) 28560

* cited by examiner

(**) Term: **14 Years**

Primary Examiner—Mitchell Siegel

(21) Appl. No.: **29/151,386**

(74) *Attorney, Agent, or Firm*—MacCord Mason PLLC

(22) Filed: **Dec. 4, 2001**

(57) **CLAIM**

(51) **LOC (7) Cl.** **21-02**

The ornamental design for a leprechaun golf head cover, as shown and described.

(52) **U.S. Cl.** **D21/754**

(58) **Field of Search** D21/754, 633;
150/160

DESCRIPTION

(56) **References Cited**

FIG. 1 is a front view of the golf head cover.
FIG. 2 is a back view of the golf head cover.
FIG. 3 is a left side view of the golf head cover.
FIG. 4 is a right side view of the golf head cover.
FIG. 5 is a top view of the golf head cover; and,
FIG. 6 is a bottom view of the golf head cover.

U.S. PATENT DOCUMENTS

D207,910 S * 6/1967 Dam D21/633
D403,720 S * 1/1999 Colinelli D21/754
D403,725 S * 1/1999 Colinelli D21/754
D403,726 S * 1/1999 Colinelli D21/754
D403,727 S * 1/1999 Colinelli D21/754

1 Claim, 3 Drawing Sheets

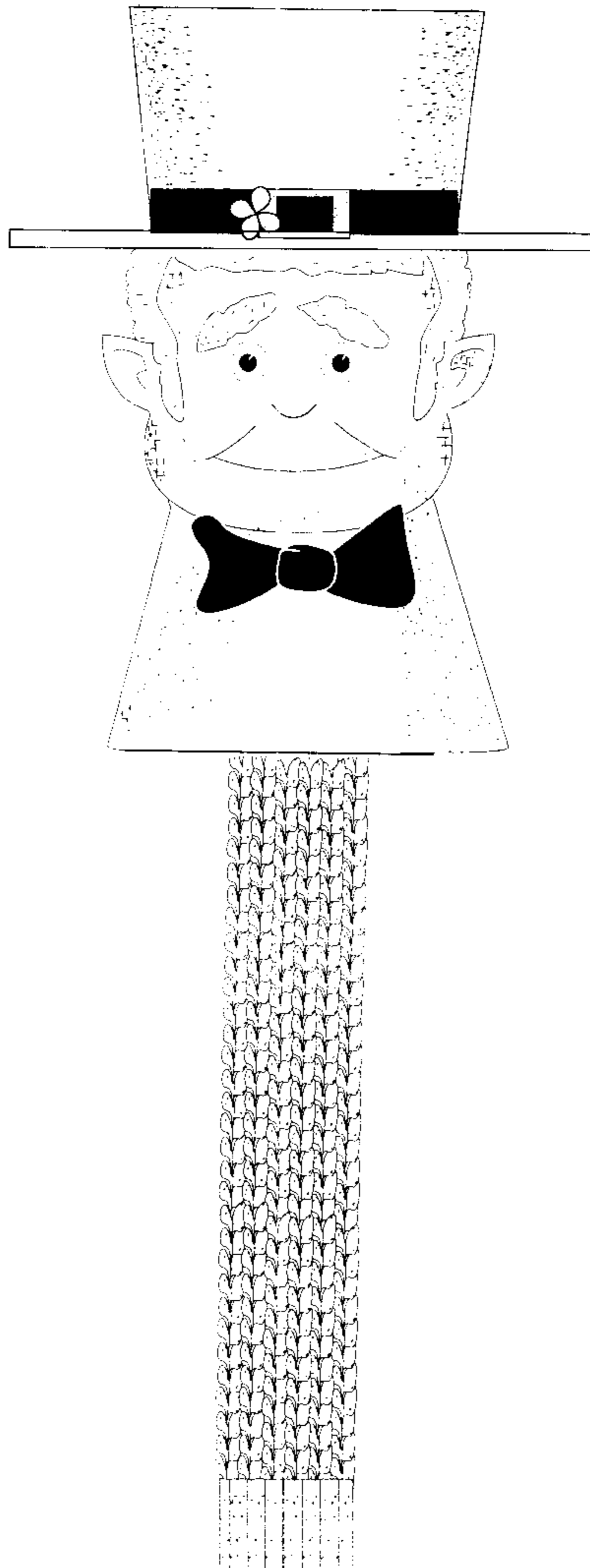


Fig. 1

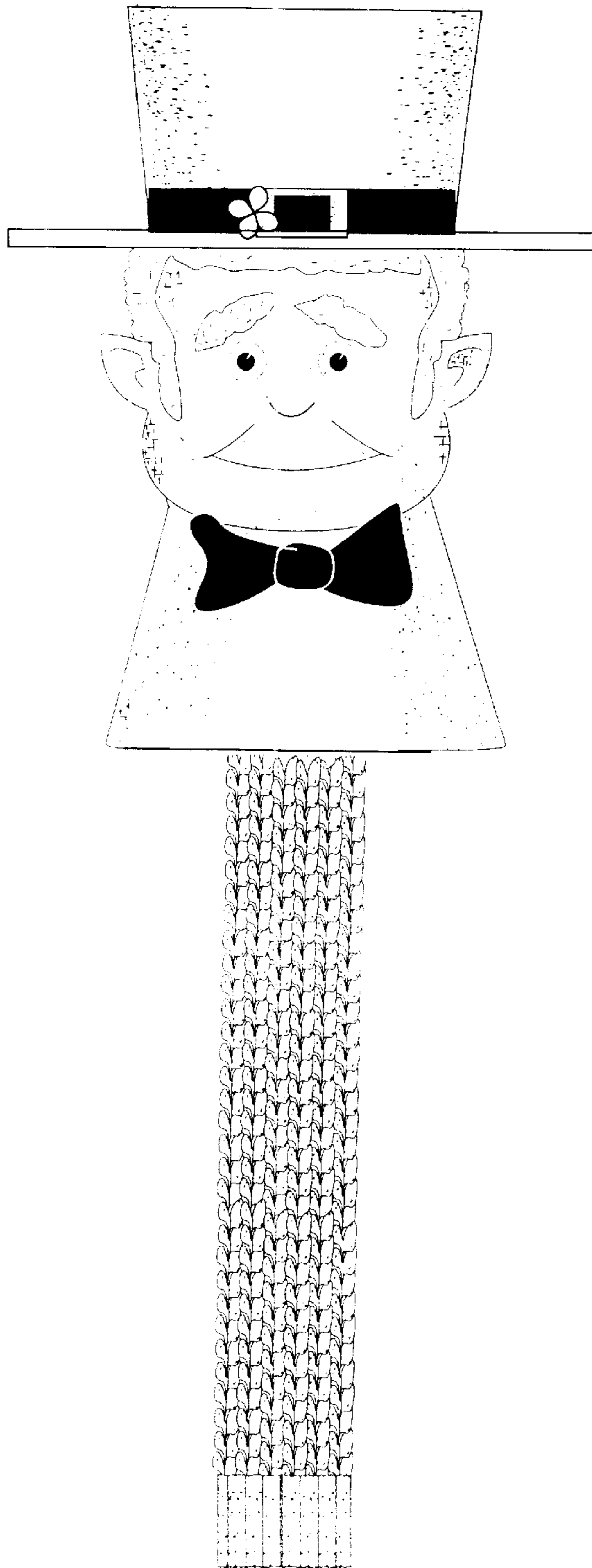


Fig. 2

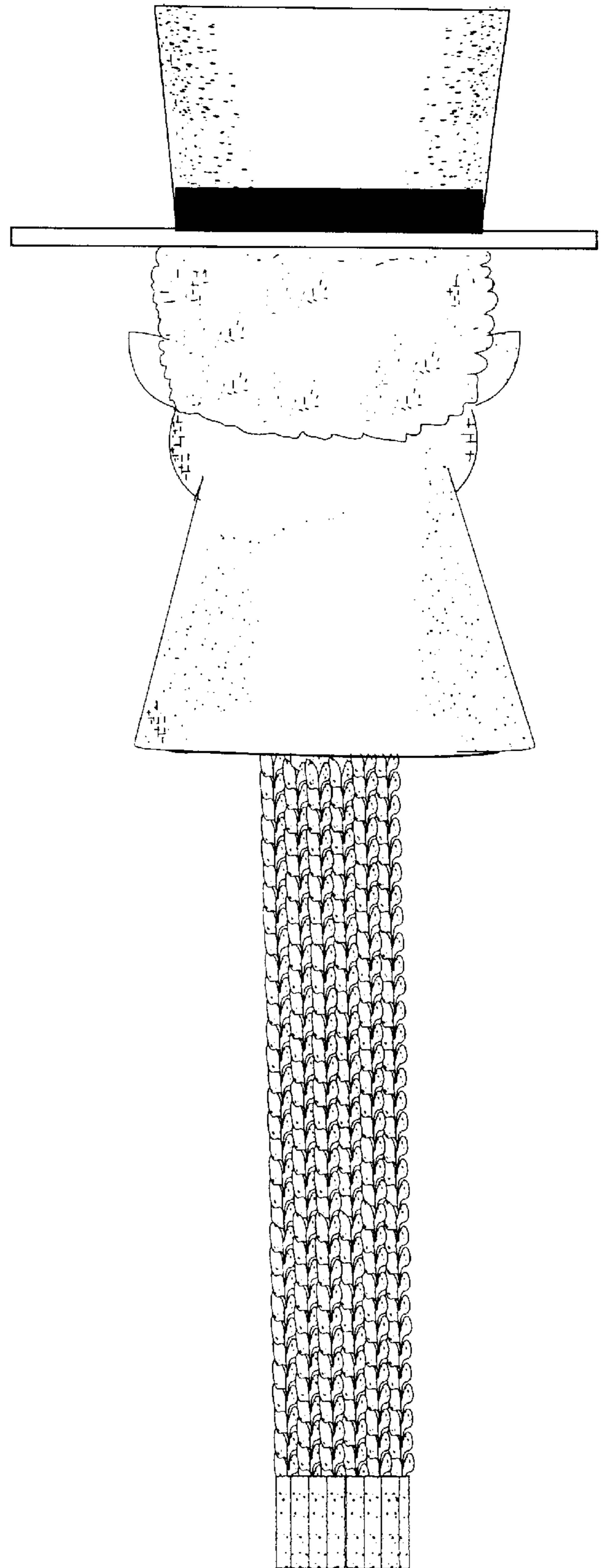


Fig. 3

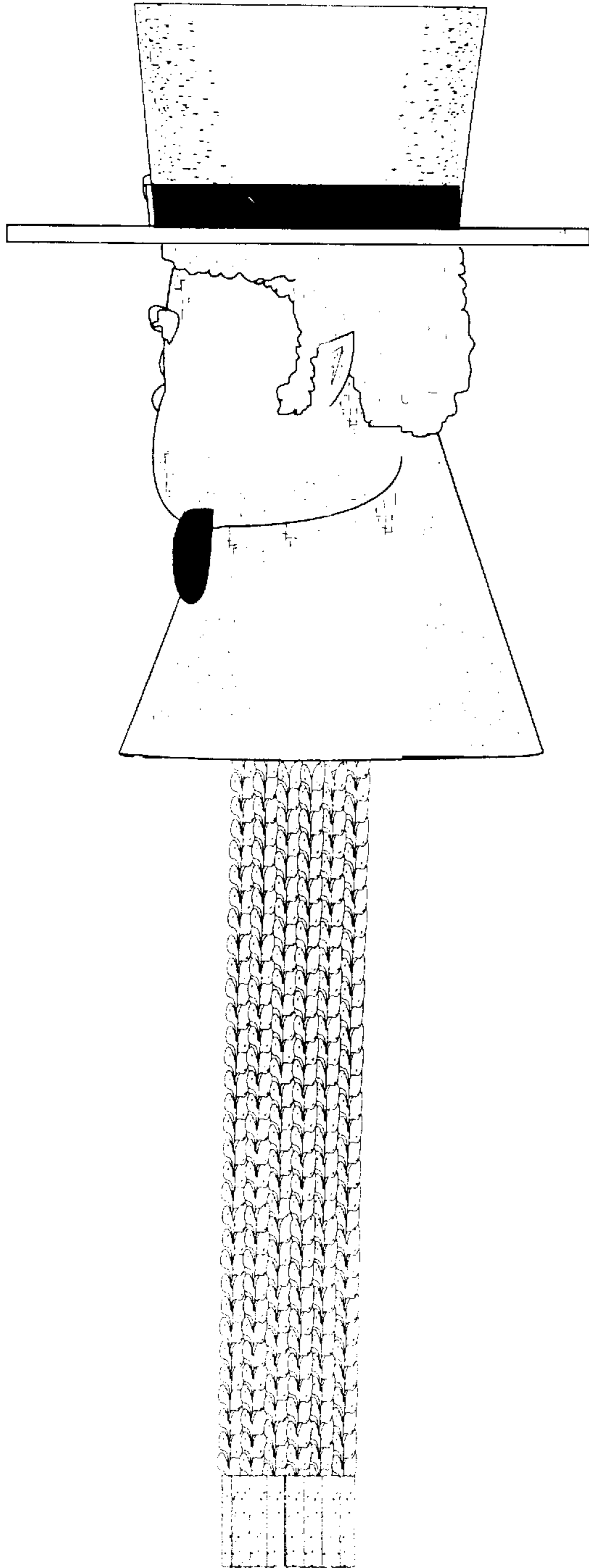


Fig. 4

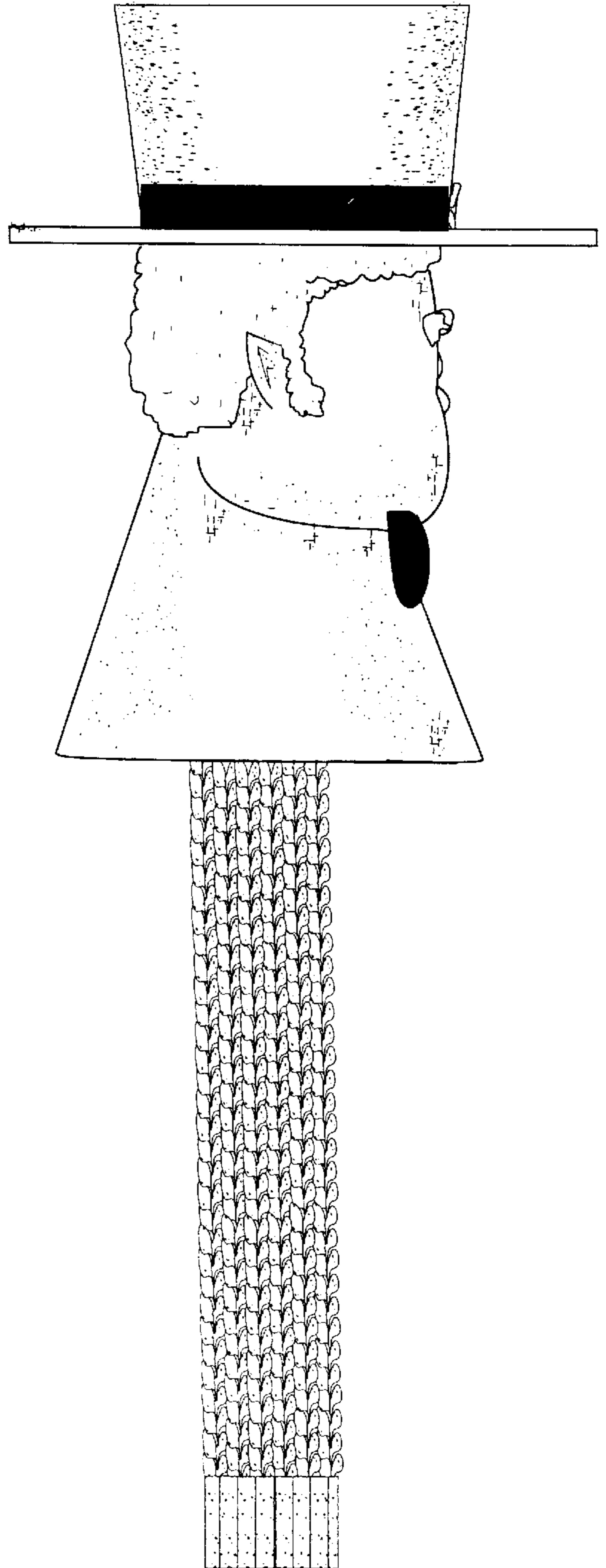


Fig. 5

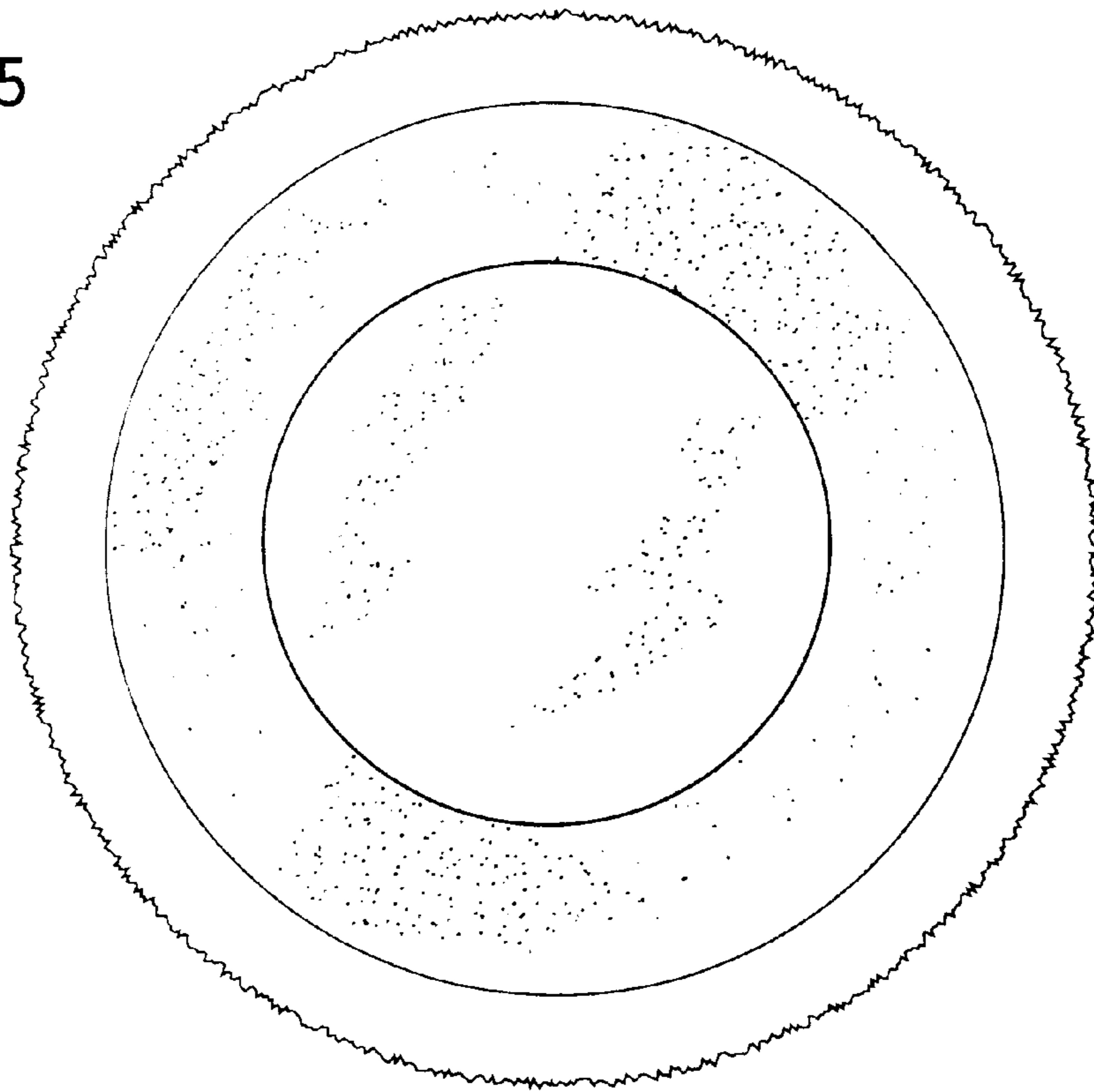


Fig. 6

