



US00D466167S

(12) **United States Design Patent**
Mullaney et al.

(10) **Patent No.:** **US D466,167 S**

(45) **Date of Patent:** **** Nov. 26, 2002**

(54) **TRACTOR-TRAILER TOY VEHICLE**

(75) Inventors: **Sean Mullaney**, Cincinnati, OH (US);
Michael Hoeting, Cincinnati, OH (US);
Neil Hamilton, Ft. Mitchell, NY (US);
Steven Fink, Cincinnati, OH (US);
Tommie Lucas, Cincinnati, OH (US);
Truman John Gilbert, Philadelphia, PA (US);
John David McBride, Morton, PA (US)

4,718,875 A	1/1988	McKittrick et al.
4,757,871 A	7/1988	Steimer
4,869,700 A	9/1989	Reiling, Jr. et al.
5,338,247 A	8/1994	Miles
5,435,768 A *	7/1995	Dunleavy 446/427
5,512,001 A *	4/1996	Kent 446/434
5,609,510 A	3/1997	Stubenfohl et al.
5,762,533 A	6/1998	Tibor et al.
6,110,003 A	8/2000	Green
6,129,607 A	10/2000	Hoeting et al.

* cited by examiner

(73) Assignee: **Mattel, Inc.**, El Segundo, CA (US)

(**) Term: **14 Years**

Primary Examiner—Raphael Barkai

(74) *Attorney, Agent, or Firm*—Akin, Gump, Strauss, Hauer & Feld, L.L.P.

(21) Appl. No.: **29/155,283**

(57) **CLAIM**

(22) Filed: **Feb. 8, 2002**

The ornamental design for a tractor-trailer toy vehicle, as shown and described.

(51) **LOC (7) Cl.** **21-01**

(52) **U.S. Cl.** **D21/558**

(58) **Field of Search** D21/433-434,
D21/552-560; D12/95; 446/424, 427, 433,
434, 454, 456, 465, 470

DESCRIPTION

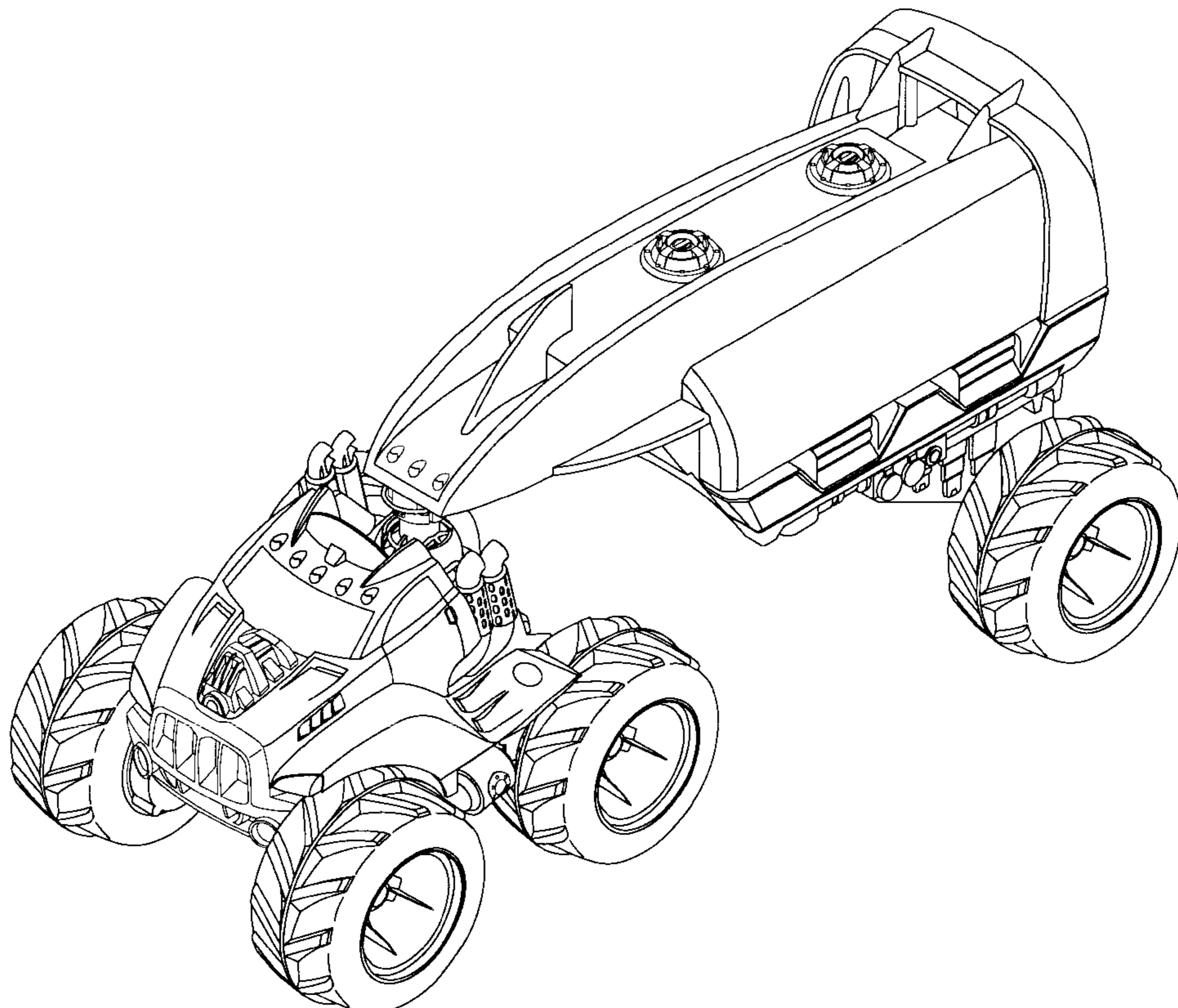
FIG. 1 is a front perspective view of a tractor-trailer toy vehicle showing my/our new design; FIG. 2 is a front elevational view thereof; FIG. 3 is a rear elevational view thereof; FIG. 4 is a right side elevational view thereof, it being understood that the left side elevational view is a mirror image of the right side elevational view; FIG. 5 is a top plan view thereof; and, FIG. 6 is a bottom plan view thereof.

(56) **References Cited**

U.S. PATENT DOCUMENTS

3,659,666 A	5/1972	Forsyth et al.
3,717,215 A	2/1973	Nigg et al.
D252,227 S *	6/1979	Asano D21/558
D286,799 S *	11/1986	Fisher D21/558
4,698,044 A	10/1987	Kennedy et al.

1 Claim, 5 Drawing Sheets



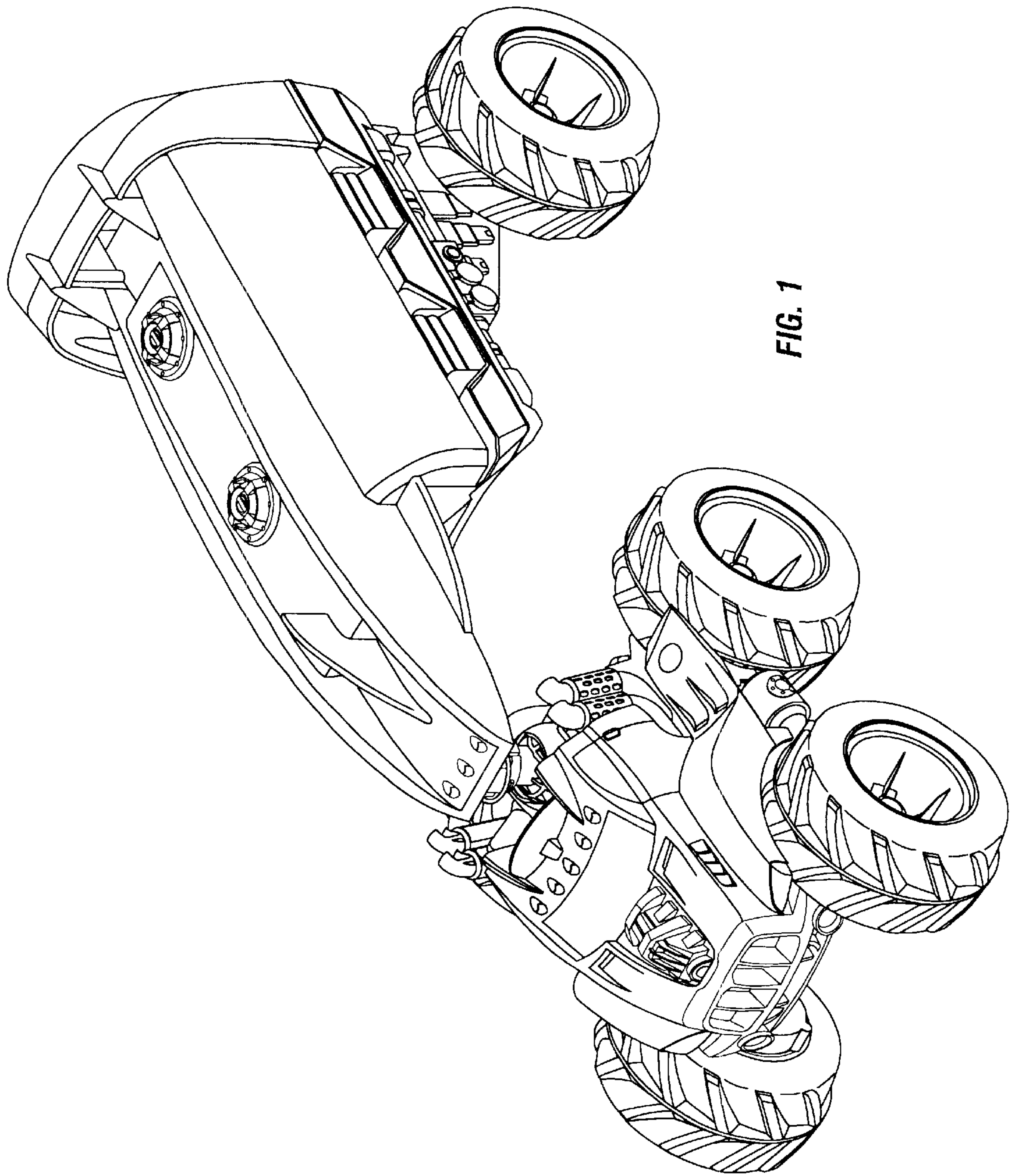


FIG. 1

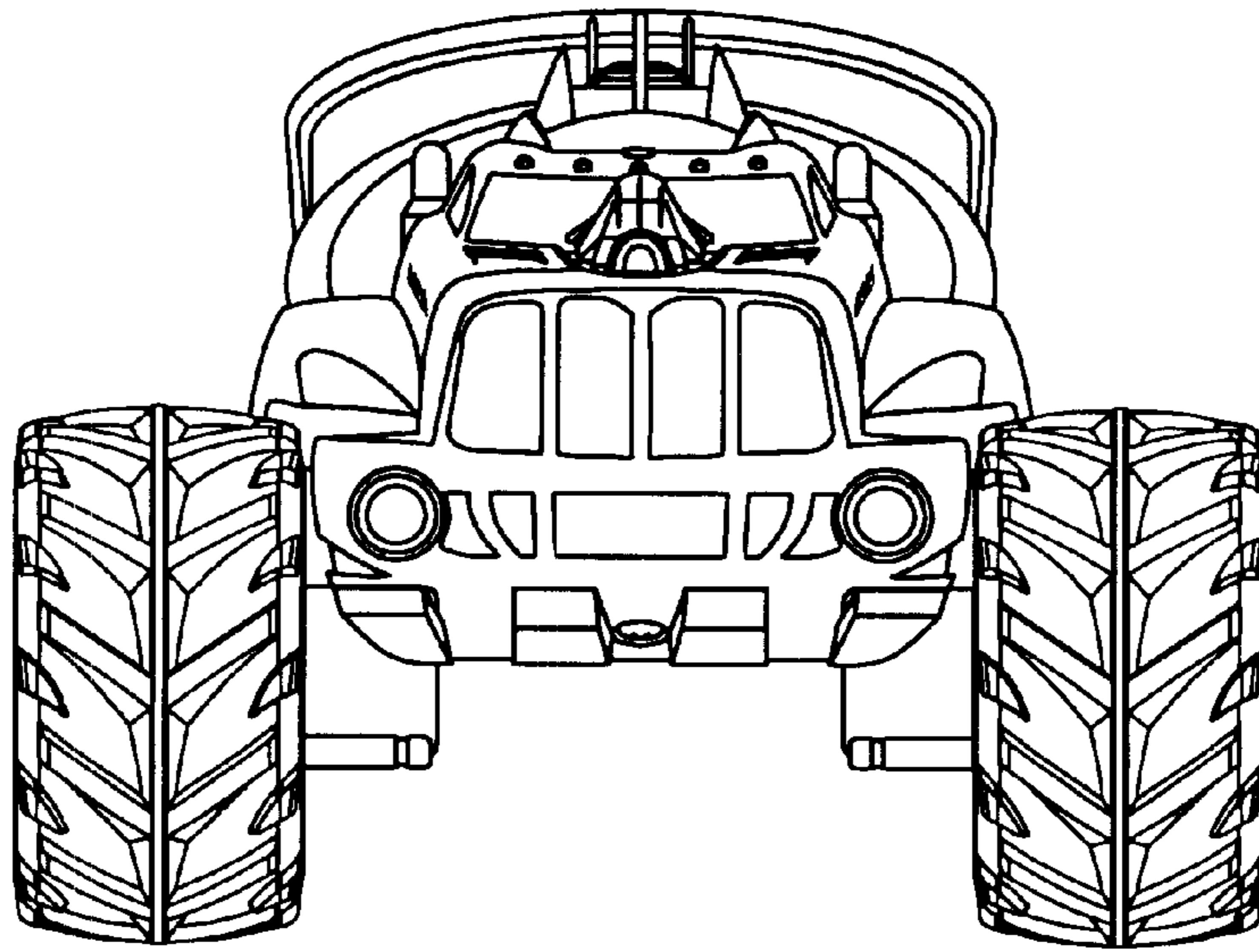


FIG. 2

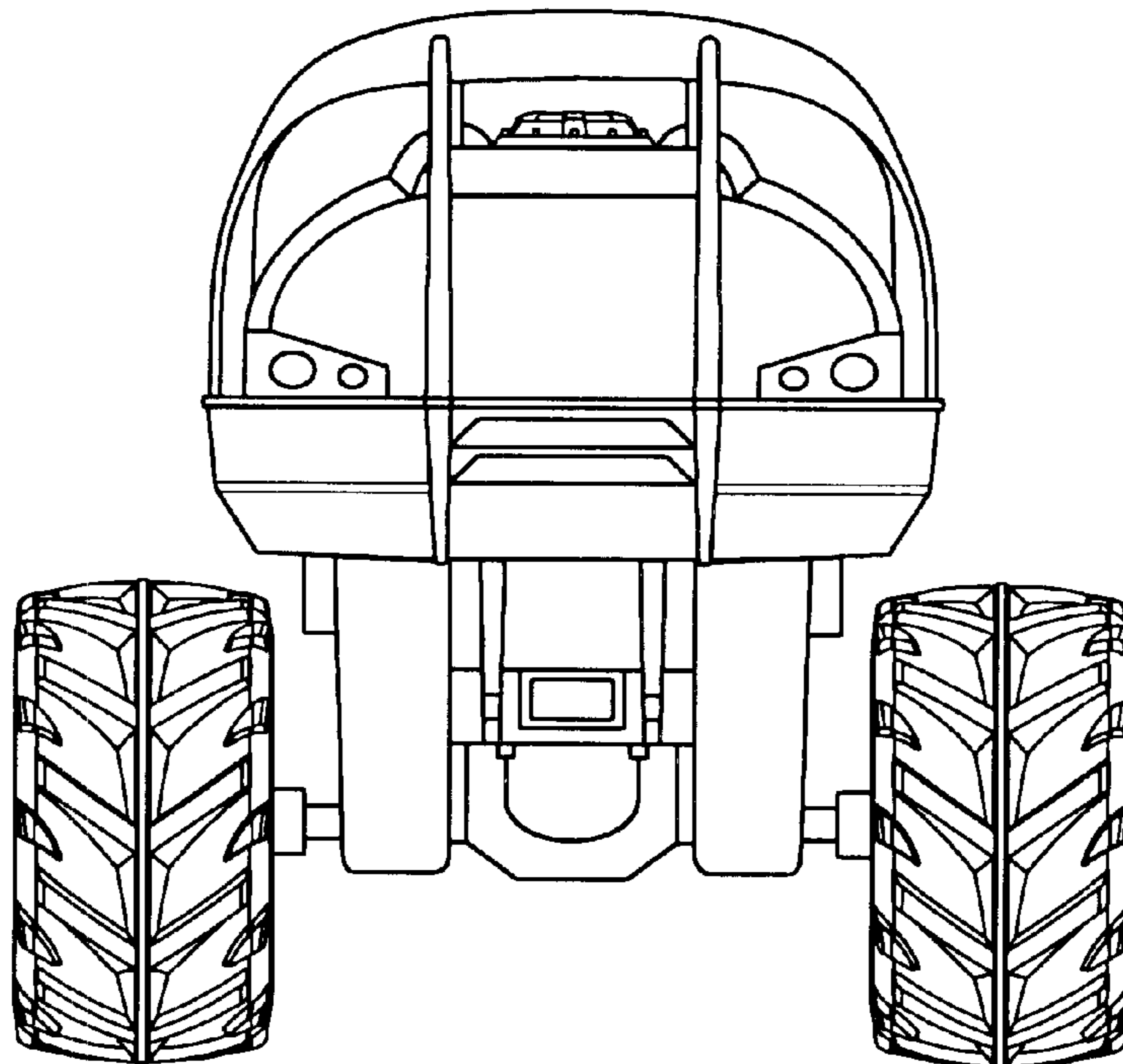


FIG. 3

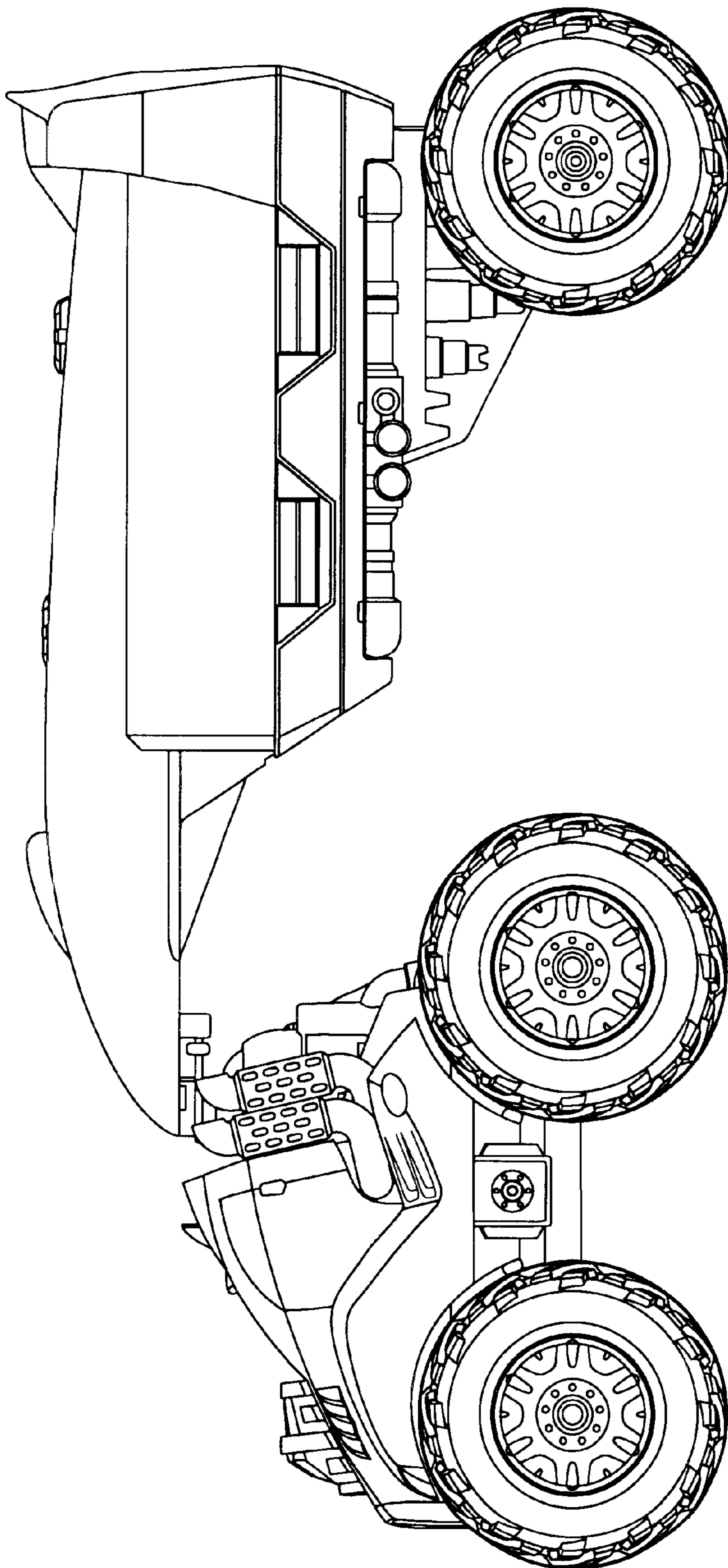


FIG. 4

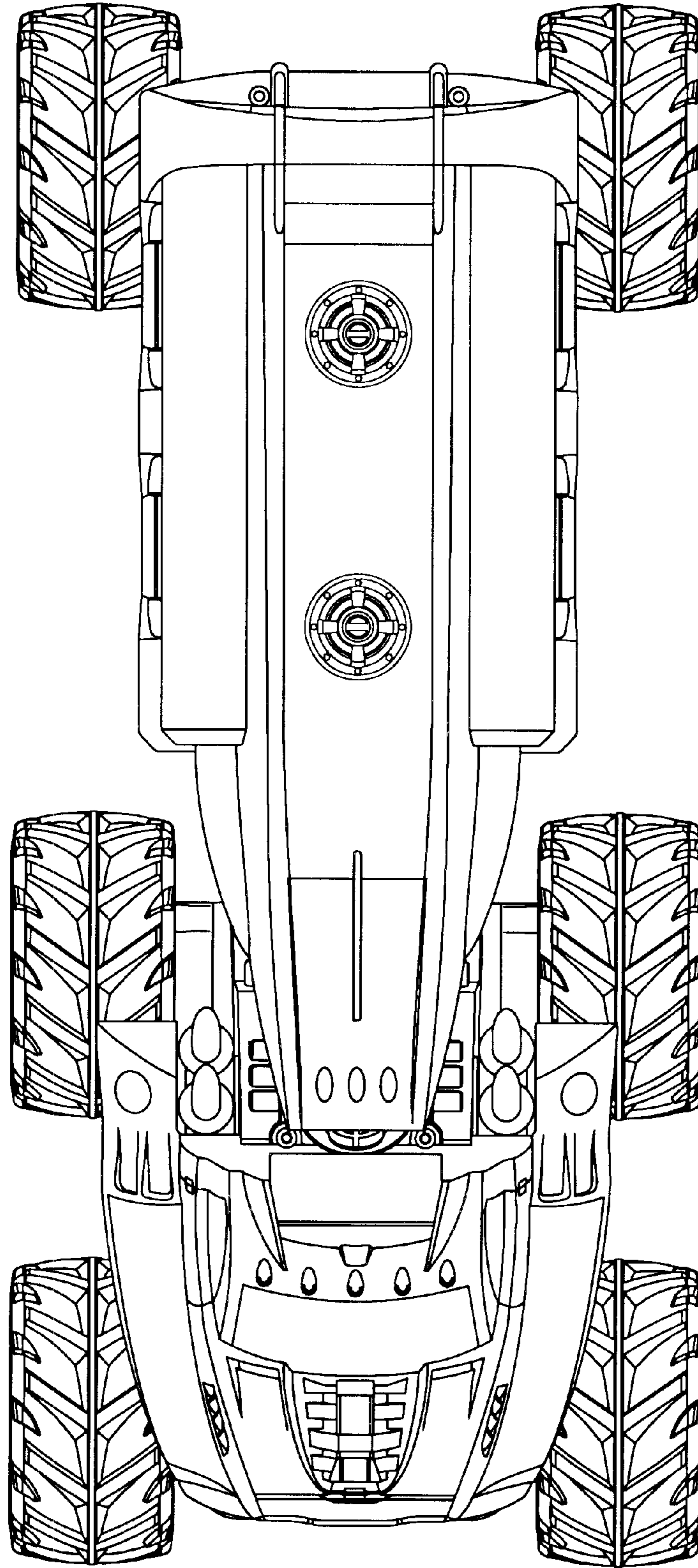


FIG. 5

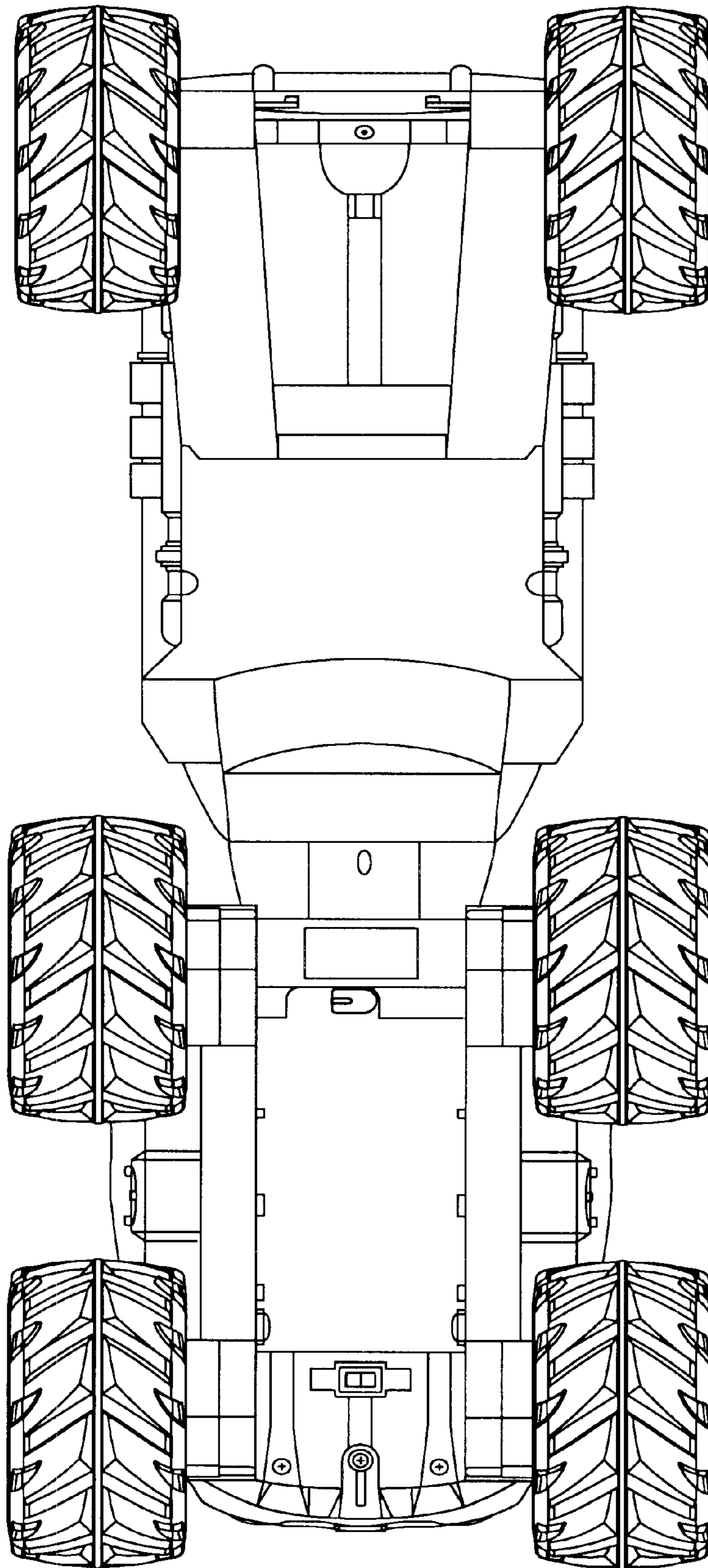


FIG. 6