



US00D466166S

(12) **United States Design Patent**
George

(10) **Patent No.: US D466,166 S**

(45) **Date of Patent: ** Nov. 26, 2002**

(54) **PARTIAL GABLE END ROOF AND WALL STRUCTURE**

(76) Inventor: **Mark D. George**, 1251 SW. Collins, Topeka, KS (US) 66604

(**) Term: **14 Years**

(21) Appl. No.: **29/083,675**

(22) Filed: **Feb. 14, 1998**

Related U.S. Application Data

(63) Continuation-in-part of application No. 08/732,939, filed on Oct. 17, 1996, now Pat. No. 5,881,515.

(51) **LOC (7) Cl. 21-01**

(52) **U.S. Cl. D21/511**

(58) **Field of Search** D25/29, 7, 16, D25/17, 100, 101; D21/511; 47/44, 46, 47; 52/169.4, 233, 585.1; 403/294, 400; 446/106, 113, 122, 124, 476

(56) **References Cited**

U.S. PATENT DOCUMENTS

1,351,086 A * 8/1920 Wright 446/106
1,664,464 A * 3/1928 Purchas D21/511

(List continued on next page.)

Primary Examiner—Doris V. Coles

Assistant Examiner—T. Chase Nelson

(57) **CLAIM**

The ornamental design for a partial gable end roof and wall structure, as shown and described.

DESCRIPTION

FIG. 1 is a front view of a first embodiment of a partial gable end roof and wall structure with a vertical reinforcement member and additional wall members at bottom being shown in broken lines as part of the typical environment of use;

FIG. 2 is a right side view of said first embodiment of a partial gable end roof and wall structure, the opposite side view being a mirror image thereof, with broken lines indicating the continuation of roof and wall members and additional wall members at bottom as part of the typical environment of use;

FIG. 3 is a top view of said first embodiment of a partial gable end roof and wall structure with holes at points of connection and the continuation of roof members being shown in broken lines as part of the typical environment of use;

FIG. 4 is a bottom view of said first embodiment of a partial gable end roof and wall structure with holes at points of connection and the continuation of roof and wall members being shown in broken lines as part of the typical environment of use;

FIG. 5 is a rear view of said first embodiment of a partial gable end roof and wall structure with a vertical reinforcement member and additional wall members at bottom being shown in broken lines as part of the typical environment of use;

FIG. 6 is an isometric view of said first embodiment of a partial gable end roof and wall structure with a vertical reinforcement member, holes at points of connection, additional wall members at bottom, and continuation of roof and wall members being shown in broken lines as part of the typical environment of use;

FIG. 7 is a front view of a second embodiment of a partial gable end roof and wall structure with a vertical reinforcement member and additional wall members at bottom being shown in dashed lines as part of the typical environment of use;

FIG. 8 is a right side view of said second embodiment of a partial gable end roof and wall structure, the opposite side view being a mirror image thereof, with broken lines indicating the continuation of roof members and additional wall members at bottom as part of the typical environment of use;

FIG. 9 is a top view of said second embodiment of a partial gable end roof and wall structure with holes at points of connection and the continuation of roof members being shown in broken lines as part of the typical environment of use;

FIG. 10 is a bottom view of said second embodiment of a partial gable end roof and wall structure with holes at points of connection and the continuation of roof and wall members being shown in broken lines as part of the typical environment of use;

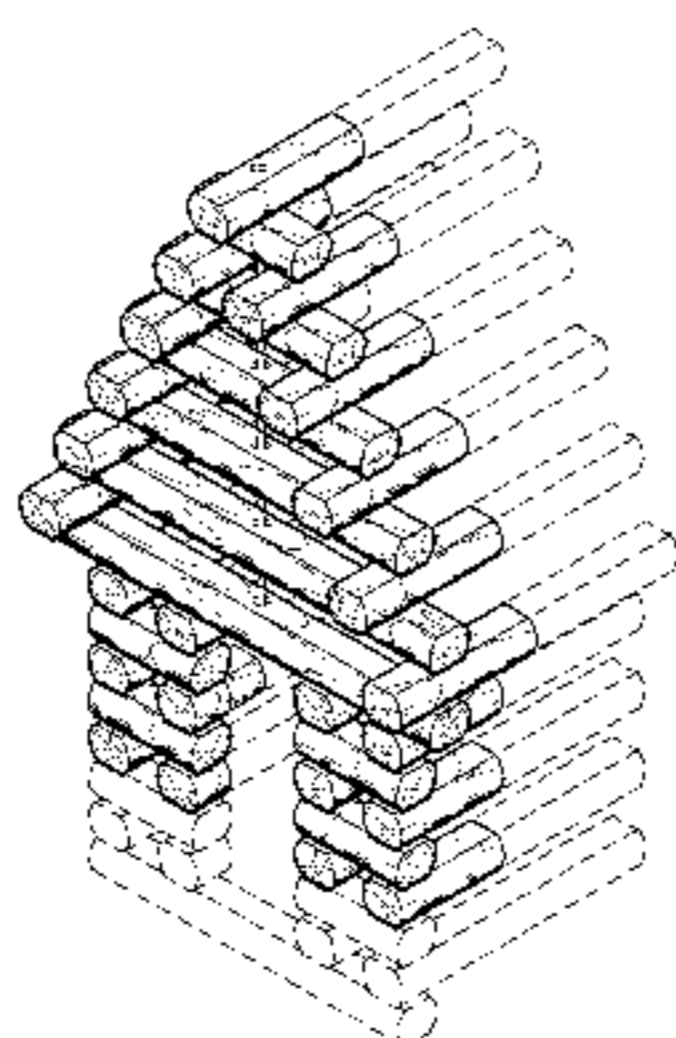
FIG. 11 is a rear view of said second embodiment of a partial gable end roof and wall structure with a vertical reinforcement member and additional wall members at bottom being shown in broken lines as part of the typical environment of use; and,

FIG. 12 is an isometric view of said second embodiment of a partial gable end roof and wall structure, with a vertical reinforcement member, holes at points of connection, additional wall members at bottom, and continuation of roof and wall members being shown in broken lines as part of the typical environment of use.

The broken line showing of FIGS. 1 through 12 is for illustrative purposes only and forms no part of the claimed design.

The wall and roof members shown in cross section in FIGS. 5 and 11 are hatched with regularly spaced parallel oblique strokes.

1 Claim, 10 Drawing Sheets



US D466,166 S

Page 2

U.S. PATENT DOCUMENTS

1,710,947 A *	4/1929	Payne	52/233	4,664,358 A	5/1987	Clark	
1,936,571 A *	11/1933	Bumann	52/233	4,688,362 A	8/1987	Pedersen et al.	
2,365,397 A	12/1944	Dickman			4,834,585 A	5/1989	Hasenwinkle et al.	
2,587,798 A *	3/1952	Wilcox	446/122	4,897,955 A	2/1990	Winsor	
2,635,303 A *	4/1953	Poynter	52/233	5,168,678 A	12/1992	Scott, Jr. et al.	
2,669,060 A	2/1954	Kalvig			D334,808 S *	4/1993	McBride et al. D25/17
3,006,038 A	10/1961	Sullivan			5,283,994 A	2/1994	Callison	
3,036,407 A	5/1962	Dixon			D347,599 S *	6/1994	Johnson et al. D25/7
3,998,017 A *	12/1976	Whitlock	52/233	5,354,223 A *	10/1994	Wawzonek 446/106
D246,739 S *	12/1977	Cartabiano	D21/511	D377,813 S *	2/1997	Hartman et al. D21/511
4,521,203 A	6/1985	Rothenberg, Jr.						

* cited by examiner

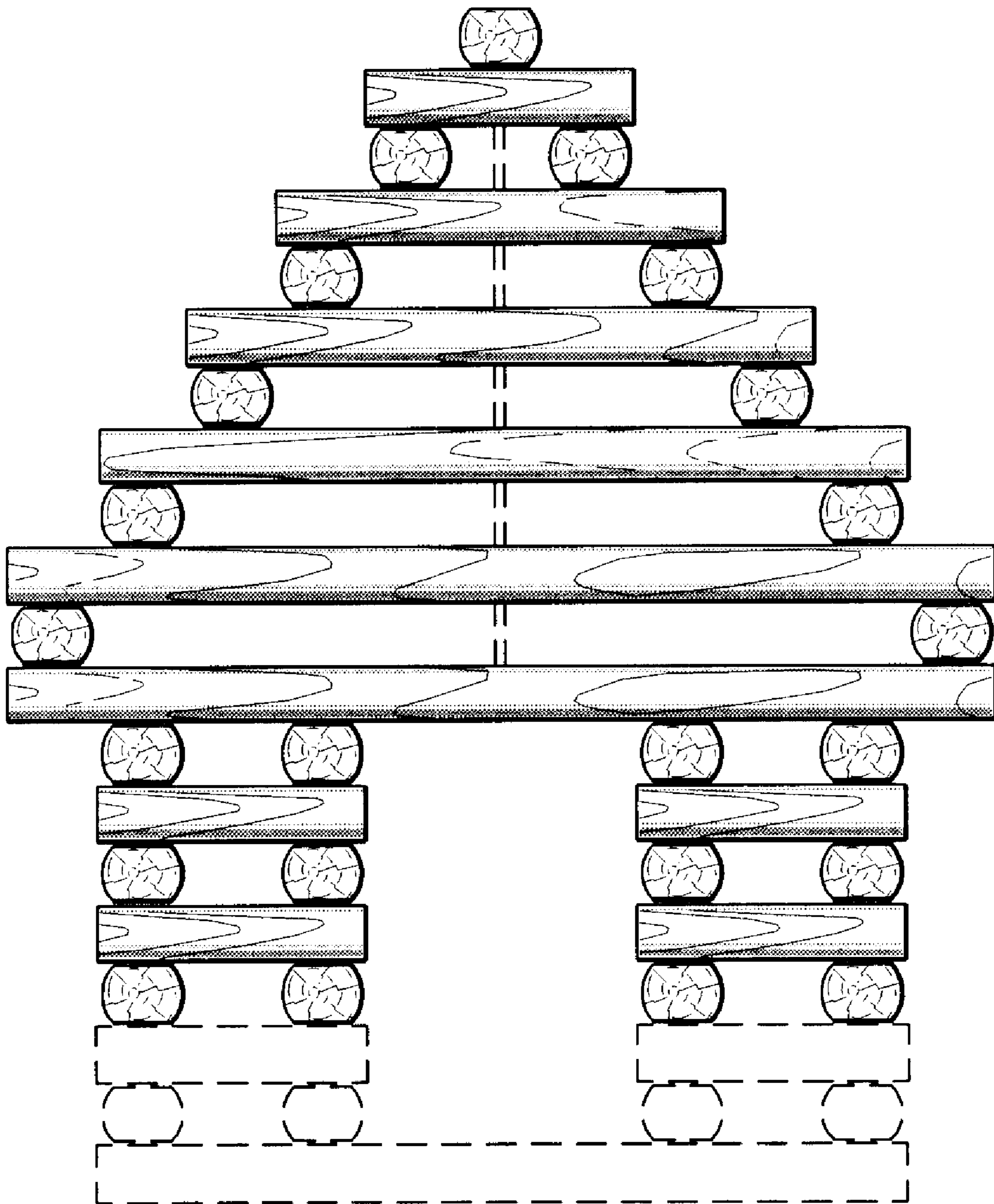


FIG. 1

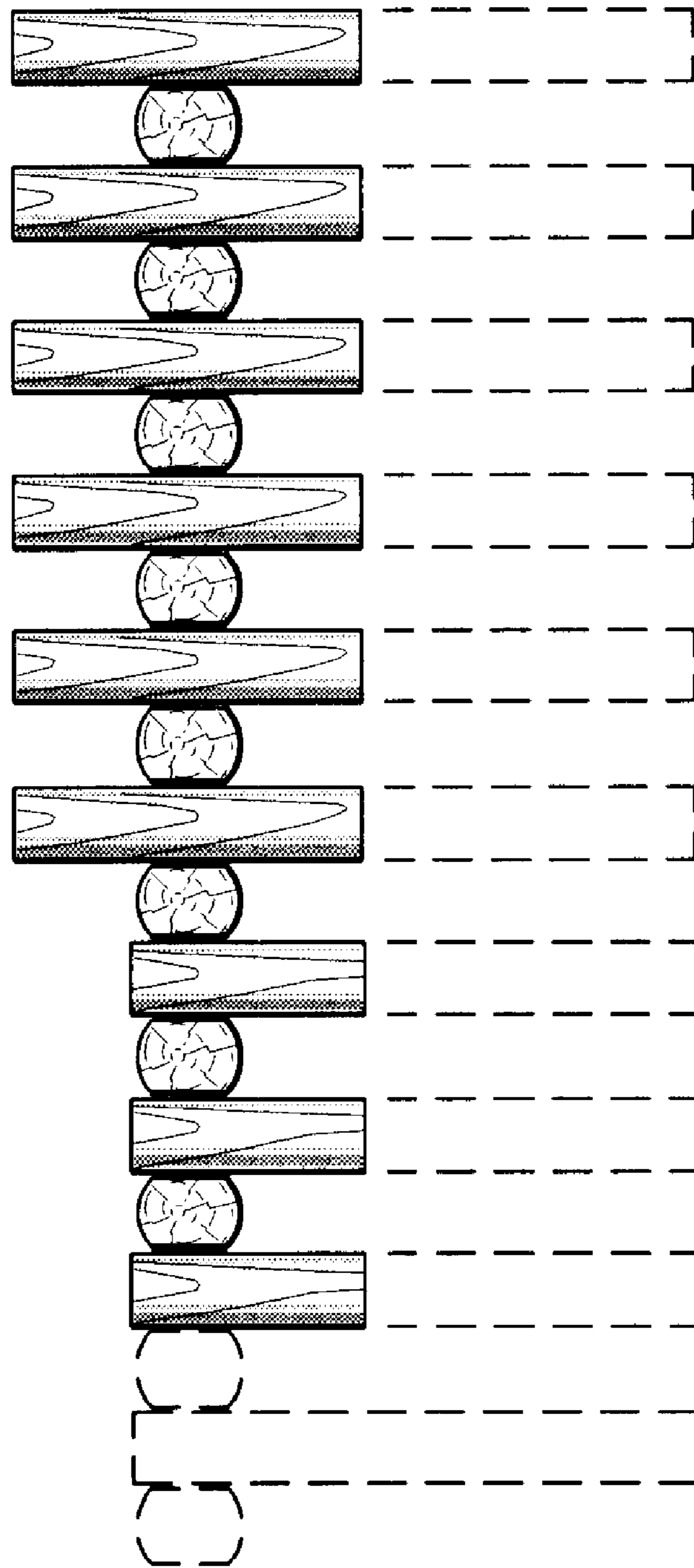


FIG. 2

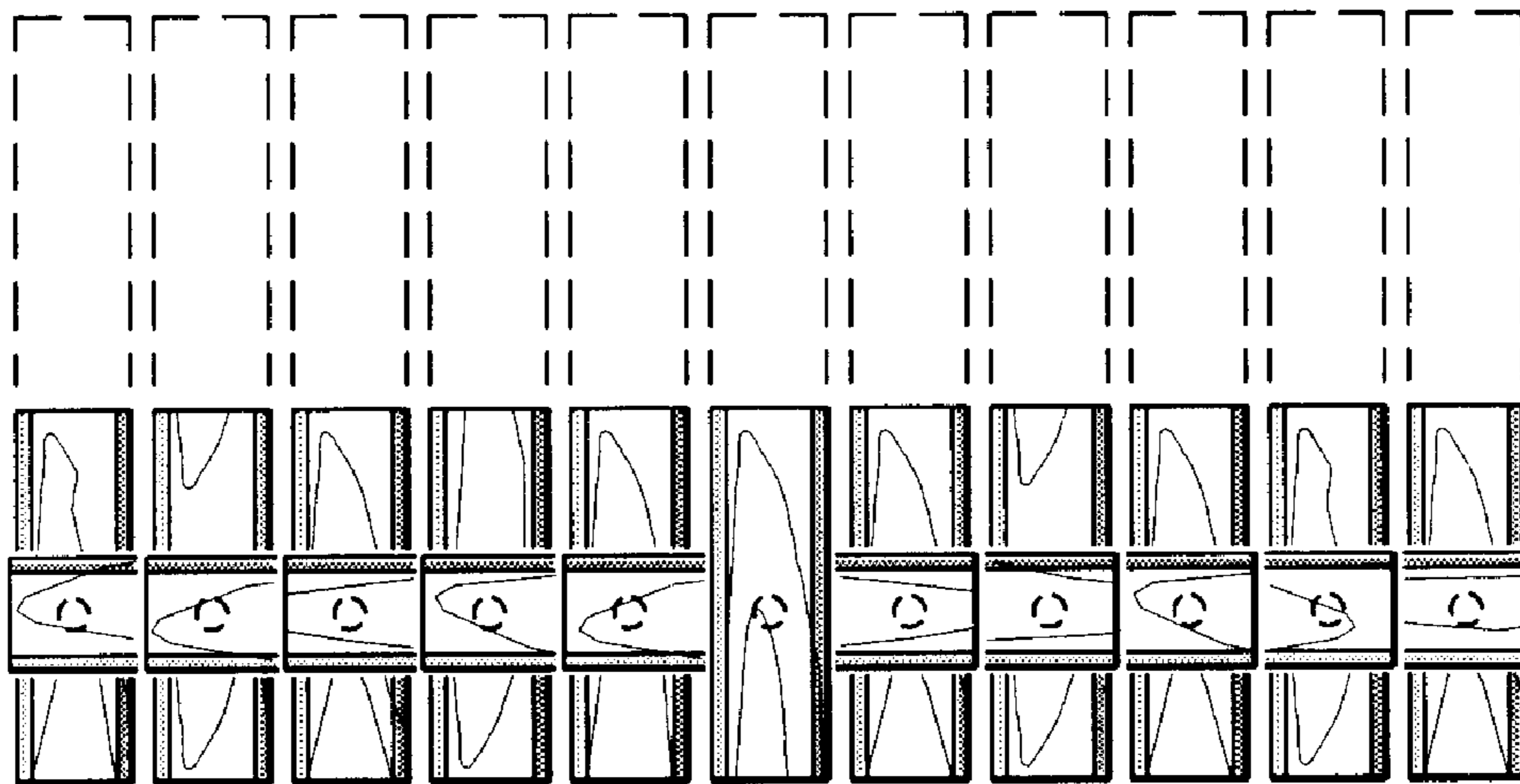


FIG. 3

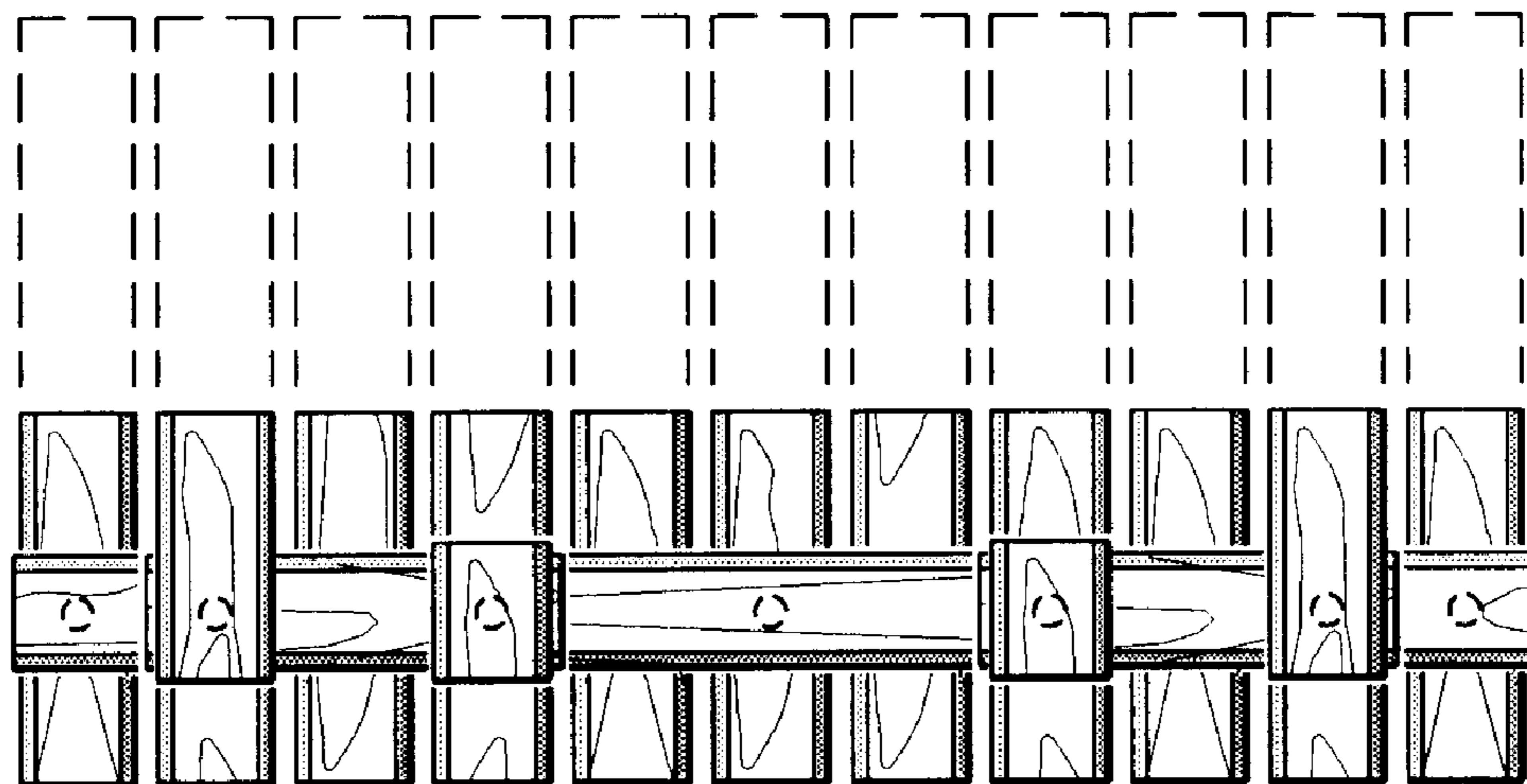


FIG. 4

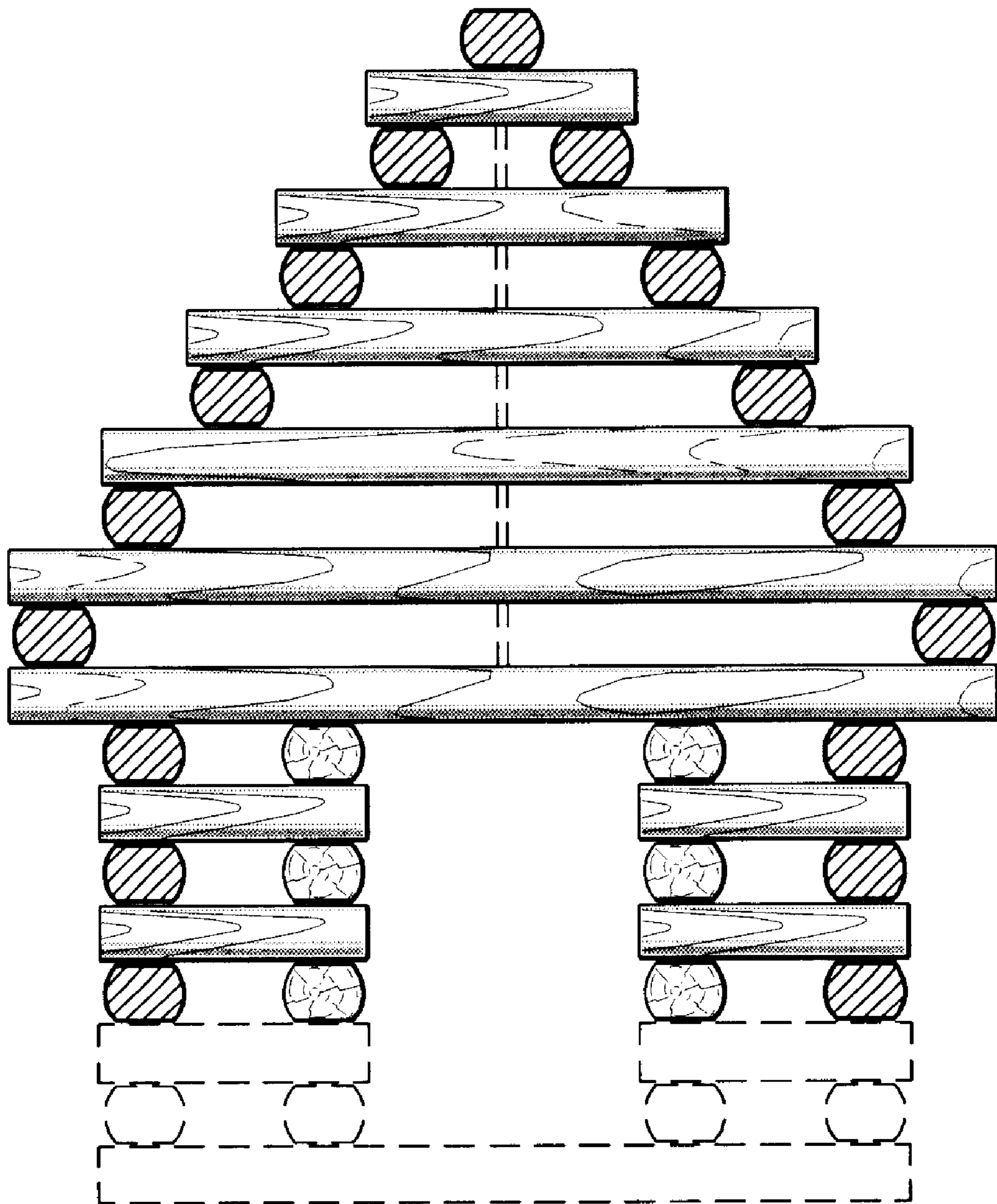


FIG. 5

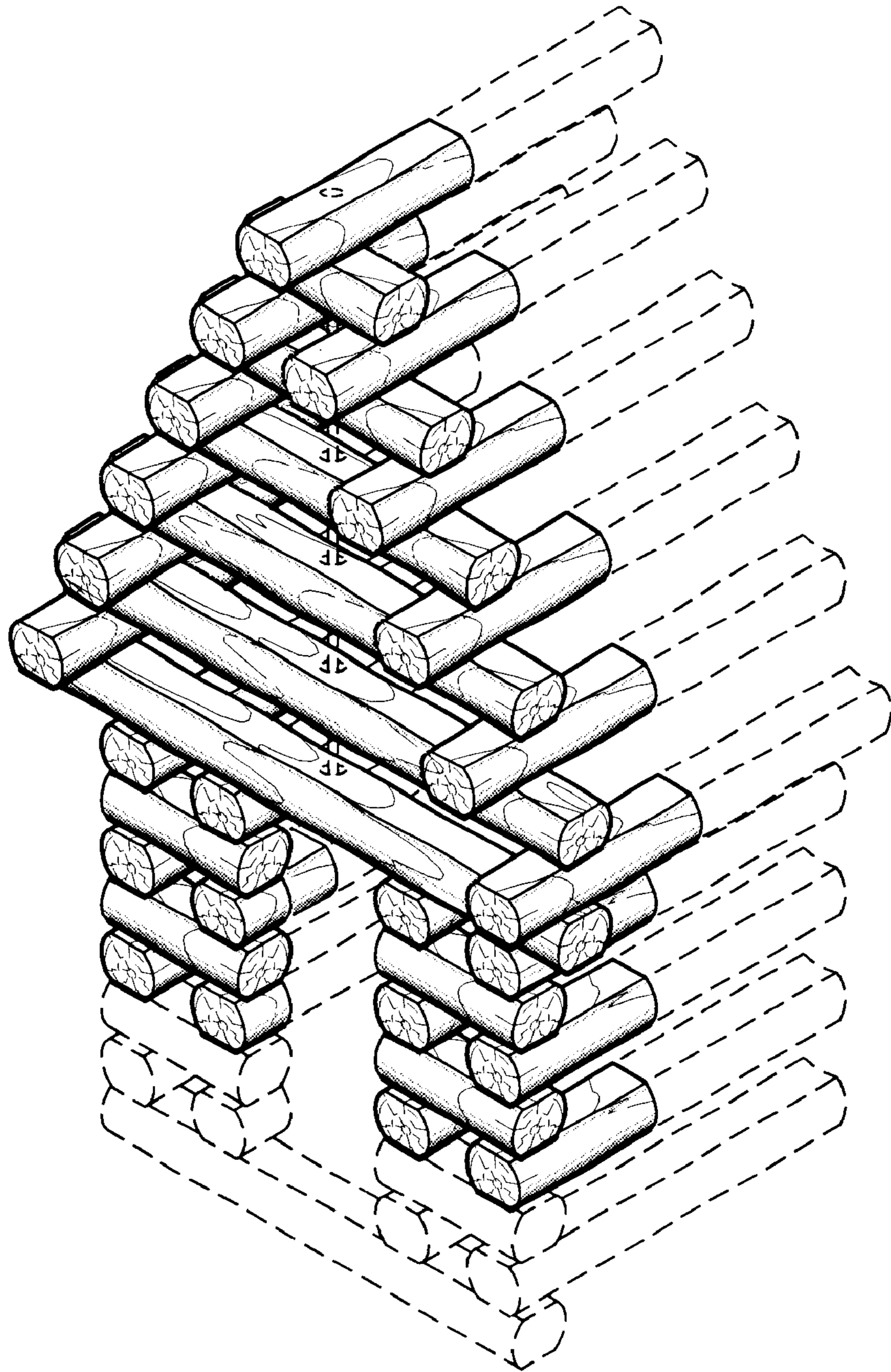


FIG. 6

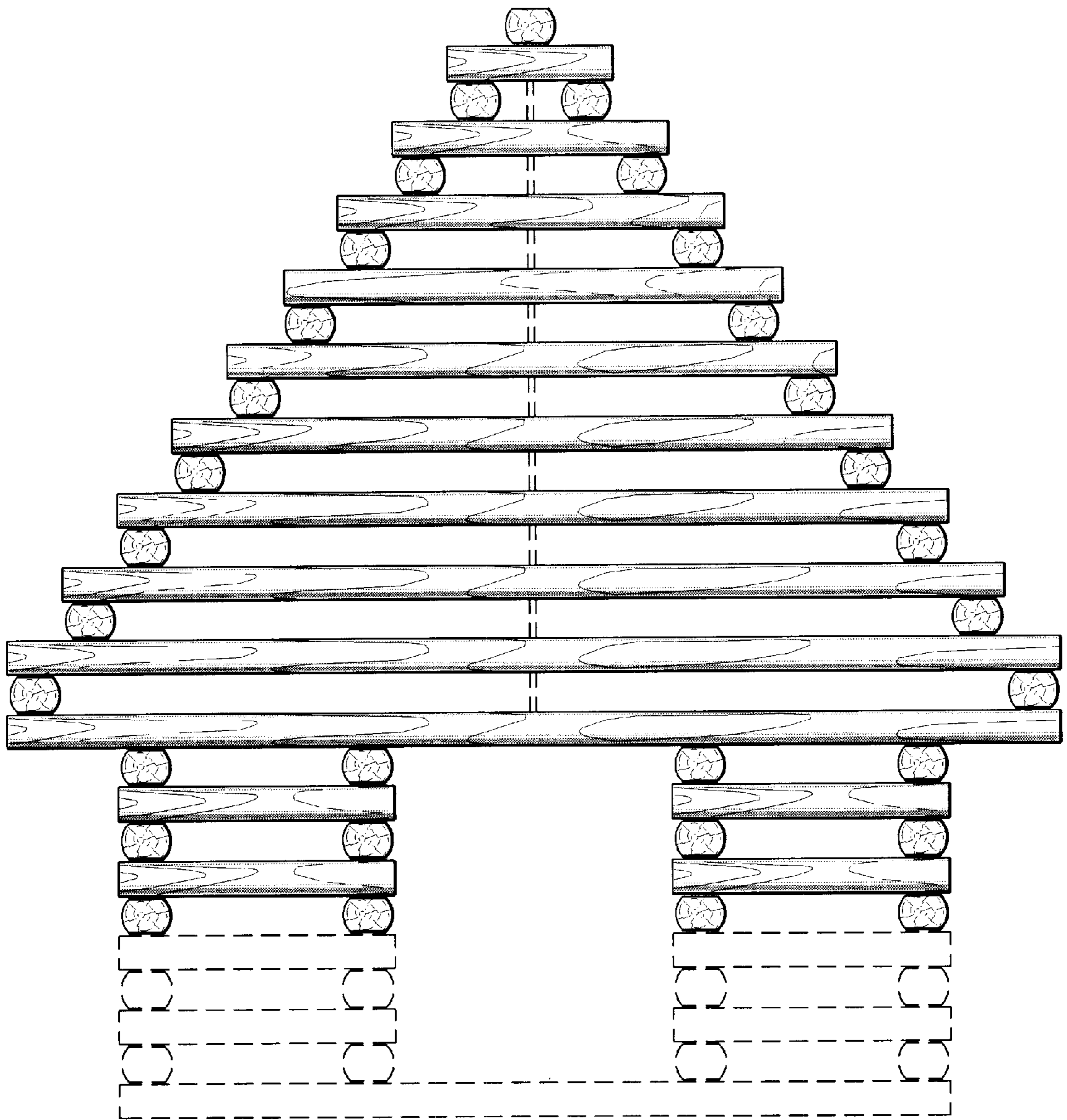


FIG. 7

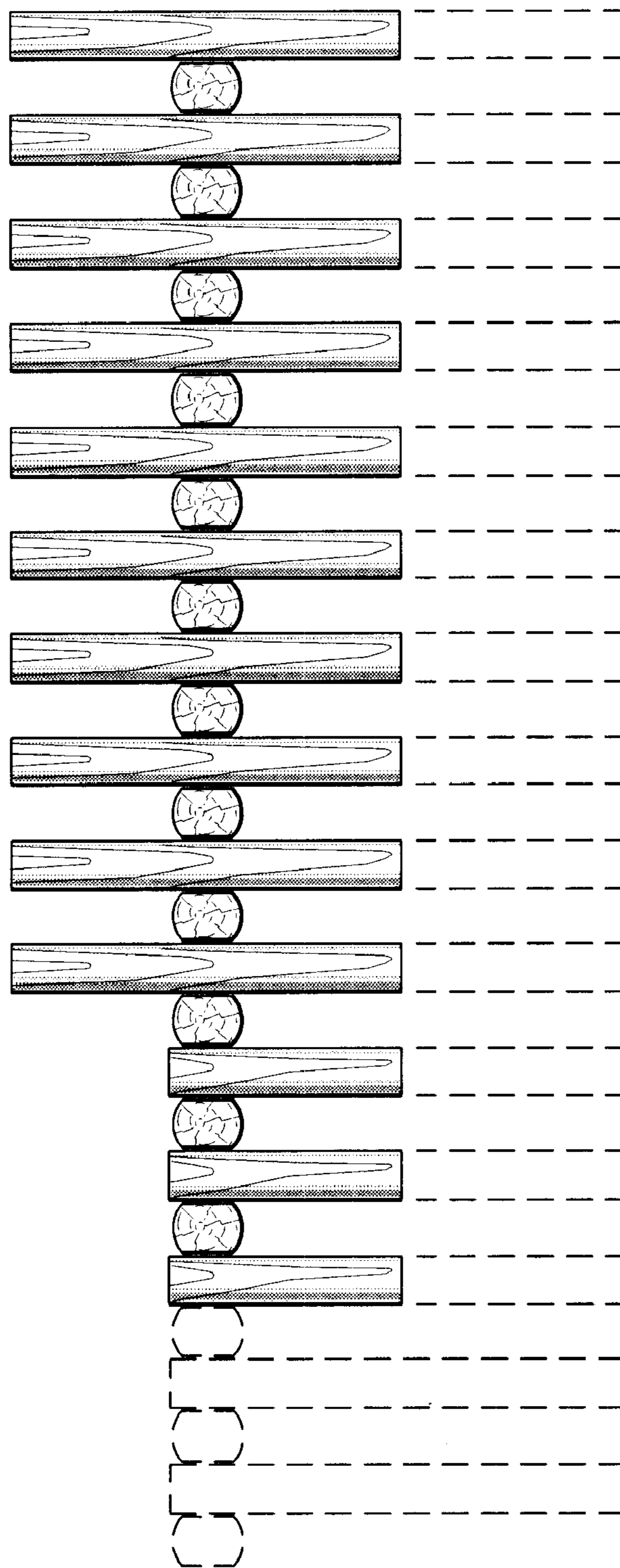


FIG. 8

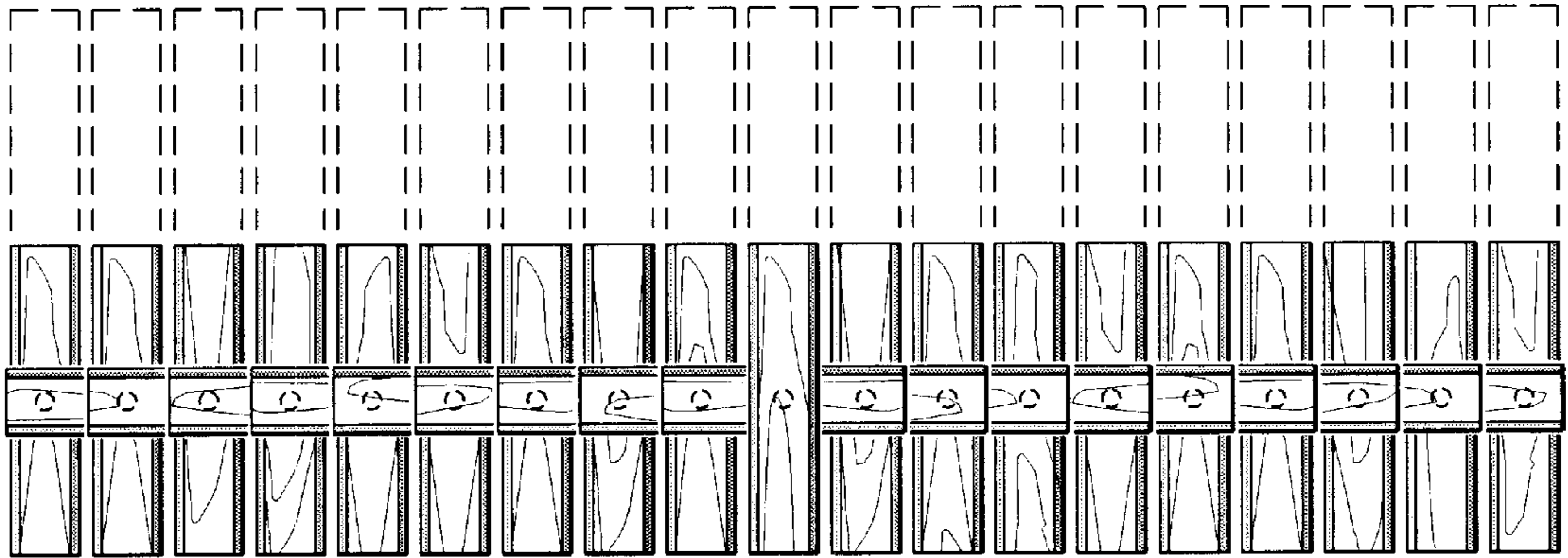


FIG. 9

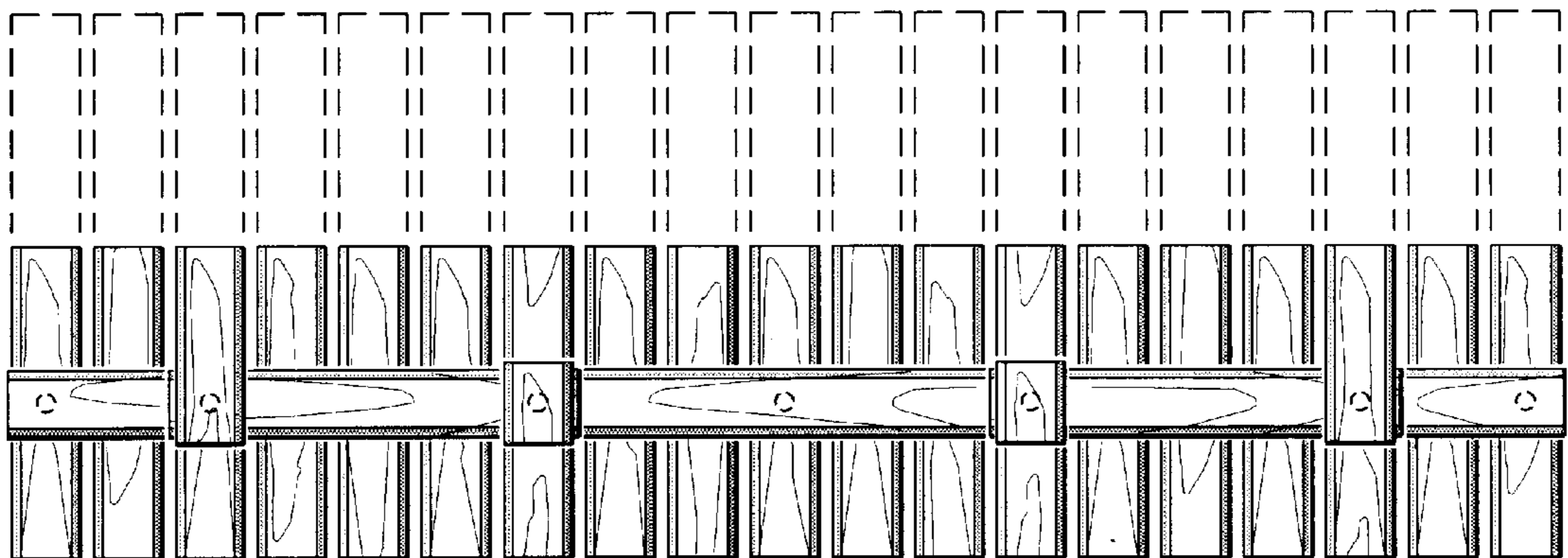


FIG. 10

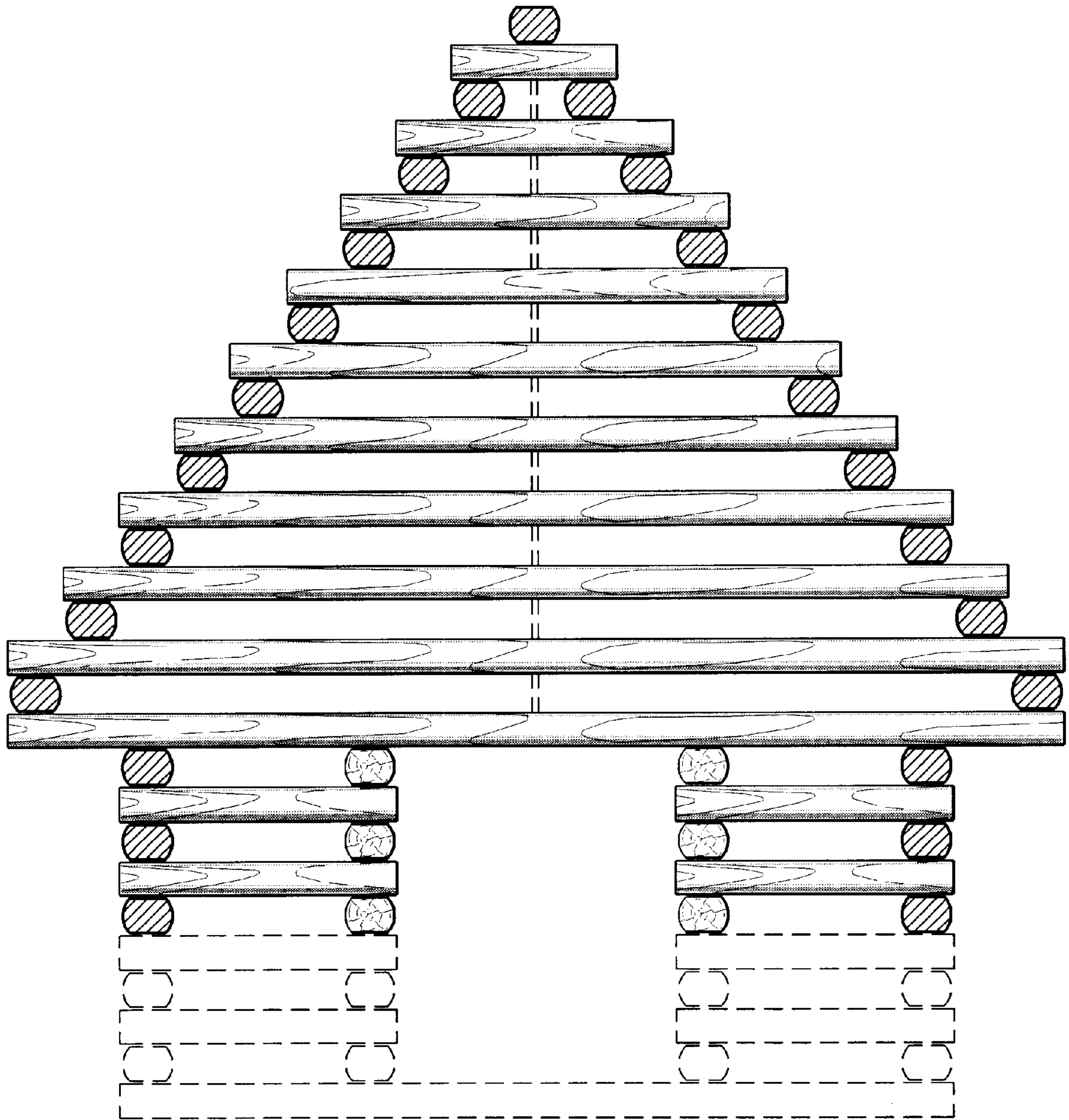


FIG. 11

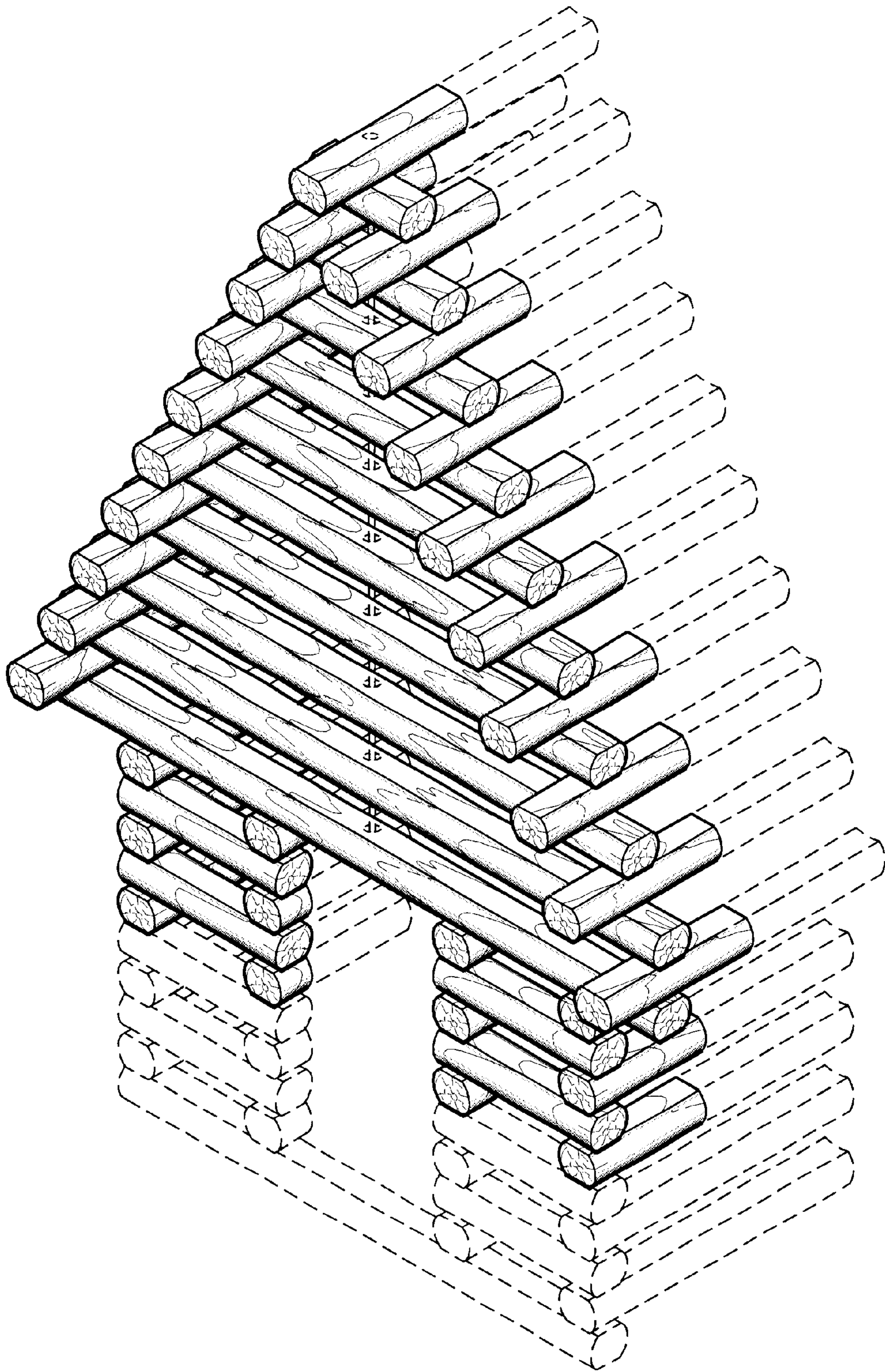


FIG. 12