



US00D466165S

(12) **United States Design Patent**
Humphrey

(10) **Patent No.:** **US D466,165 S**

(45) **Date of Patent:** **** Nov. 26, 2002**

(54) **FOUR-WHEELED PUSH VEHICLE**

(76) Inventor: **Allen Humphrey**, P.O. Box 470,
LaPorte, TX (US) 77572-0470

(**) Term: **14 Years**

(21) Appl. No.: **29/155,350**

(22) Filed: **Feb. 5, 2002**

(51) **LOC (7) Cl.** **21-01**

(52) **U.S. Cl.** **D21/421; D21/423**

(58) **Field of Search** D21/419-435,
D21/533, 534, 548-551, 561-563; D12/110-112,
107; 280/87.01, 87.021, 87.041, 87.042,
87.05; 446/465, 470

(56) **References Cited**

U.S. PATENT DOCUMENTS

D146,365 S	*	2/1947	Kinslow	D21/423
3,438,642 A	*	4/1969	Kite et al.	D21/421
D218,628 S	*	9/1970	Gonzalez	D21/423
4,828,284 A	*	5/1989	Sandgren	280/87.041
D435,608 S	*	12/2000	Medeiros	D21/423
D448,428 S	*	9/2001	Humphrey	D21/421

* cited by examiner

Primary Examiner—Raphael Barkai

(74) *Attorney, Agent, or Firm*—Daniel N. Lundeen;
Lundeen & Arismendi, LLP

(57) **CLAIM**

The ornamental design for a four-wheeled push vehicle, as shown and described.

DESCRIPTION

FIG. 1 is a perspective view of a four-wheeled push vehicle with the front wheels turning to the right, showing my new design;

FIG. 2 is a side elevational view of a four-wheeled push vehicle with the rear wheels on the left and the front wheels on the right, showing my new design;

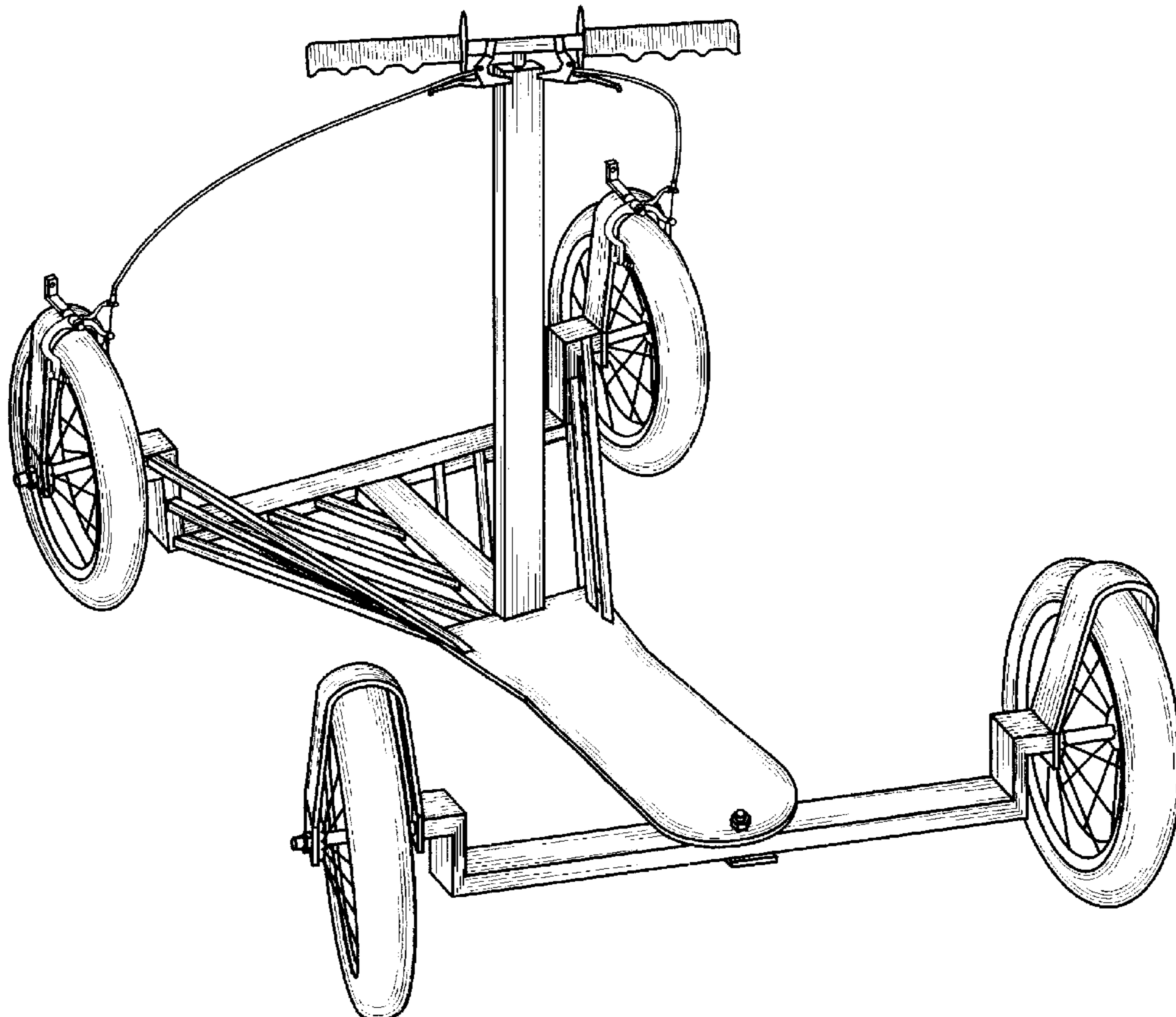
FIG. 3 is a front elevational perspective view thereof, showing my new design;

FIG. 4 is a rear elevational perspective view thereof, showing my new design;

FIG. 5 is a top perspective view of a four-wheeled push vehicle thereof, showing my new design; and,

FIG. 6 is a bottom perspective view of a four-wheeled push vehicle thereof, showing my new design.

1 Claim, 5 Drawing Sheets



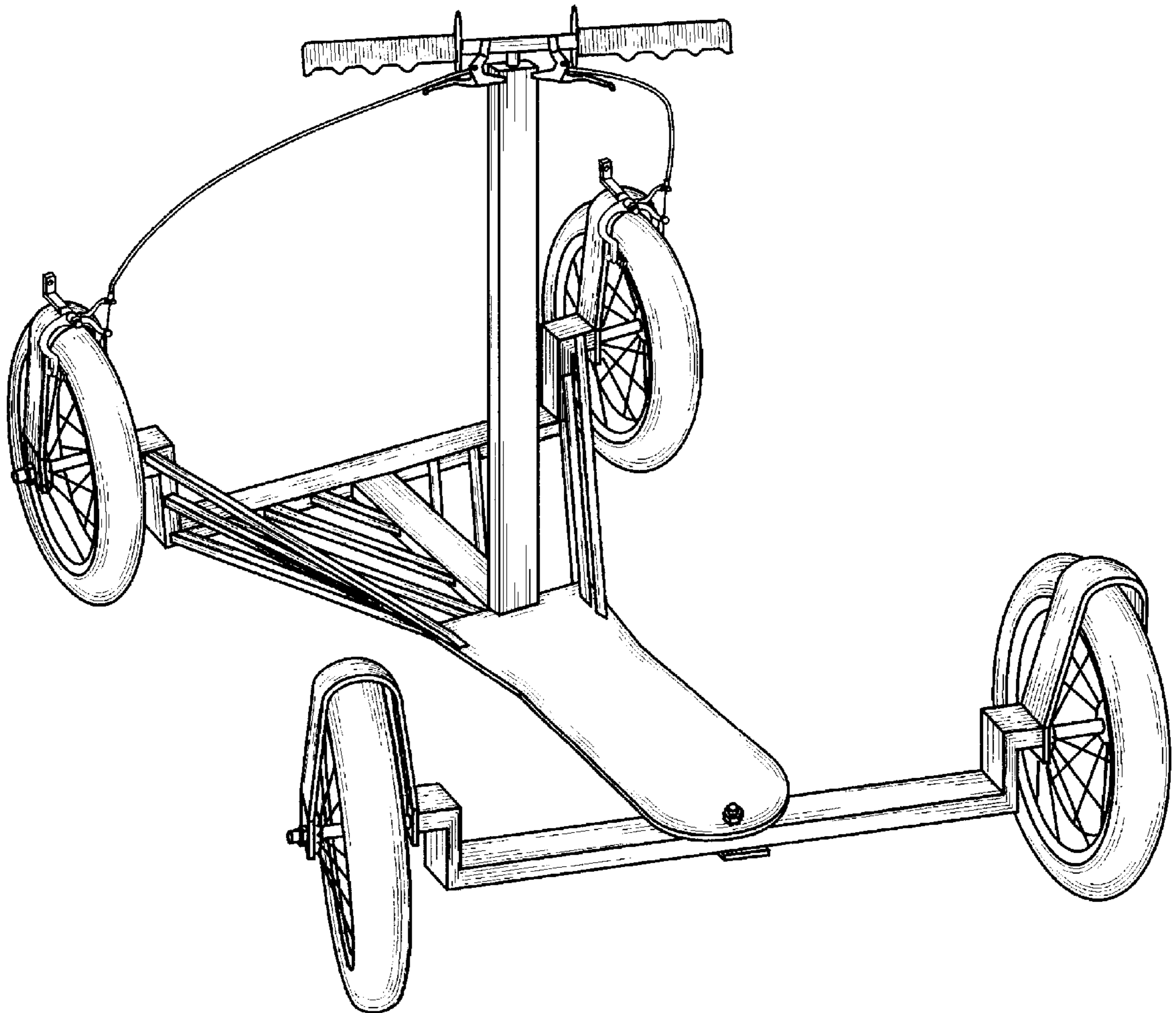


FIG. 1

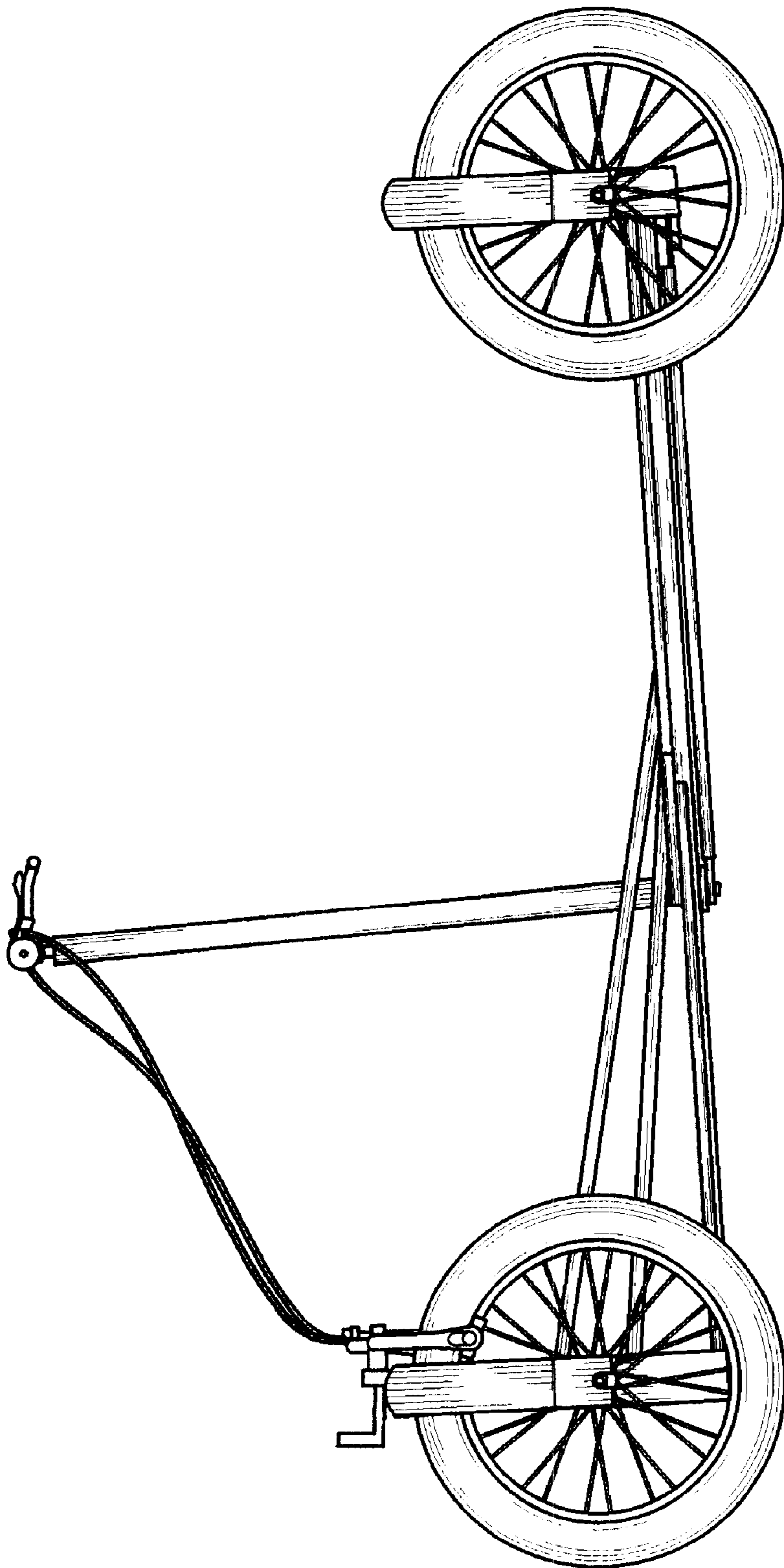


FIG. 2

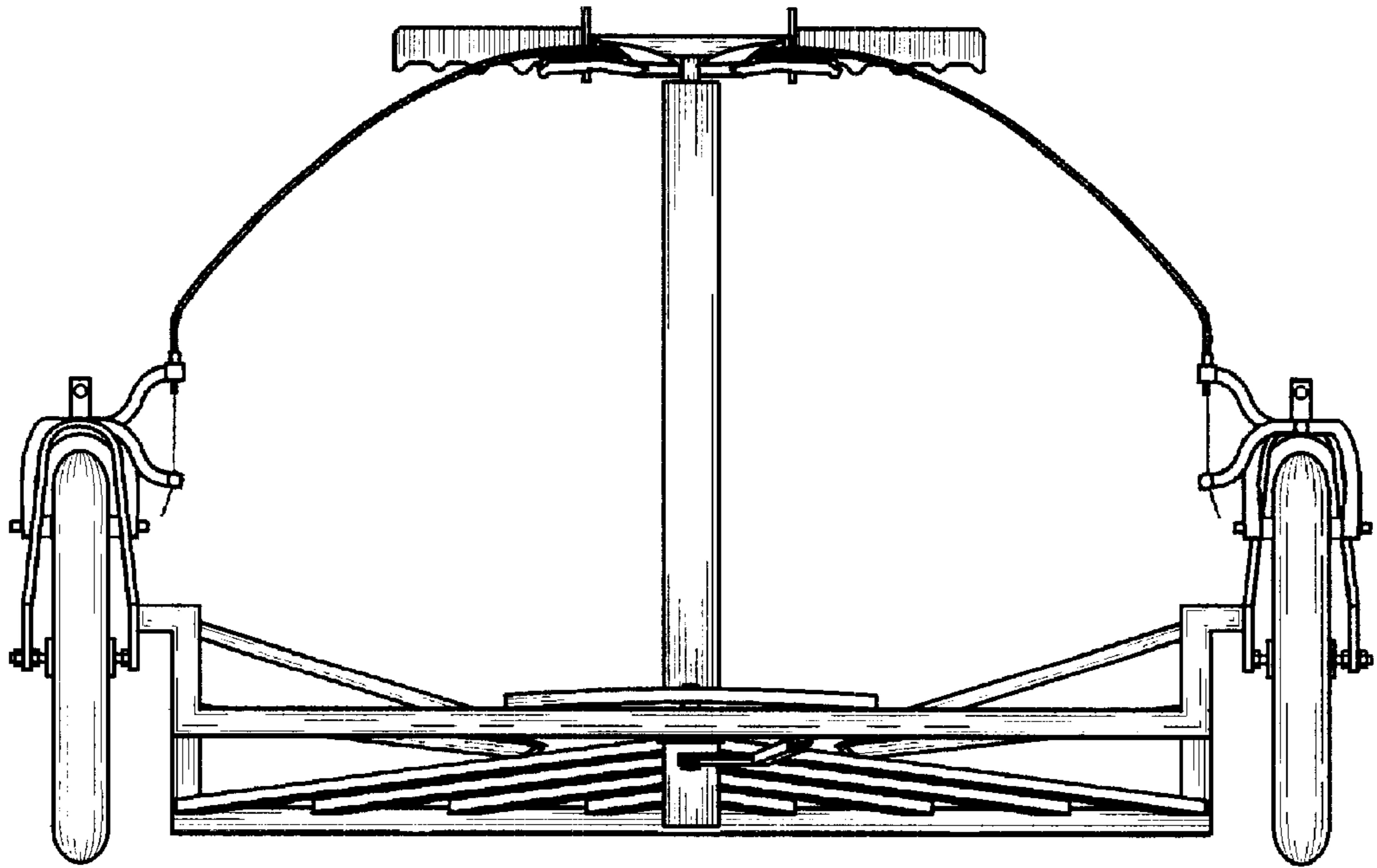


FIG. 3

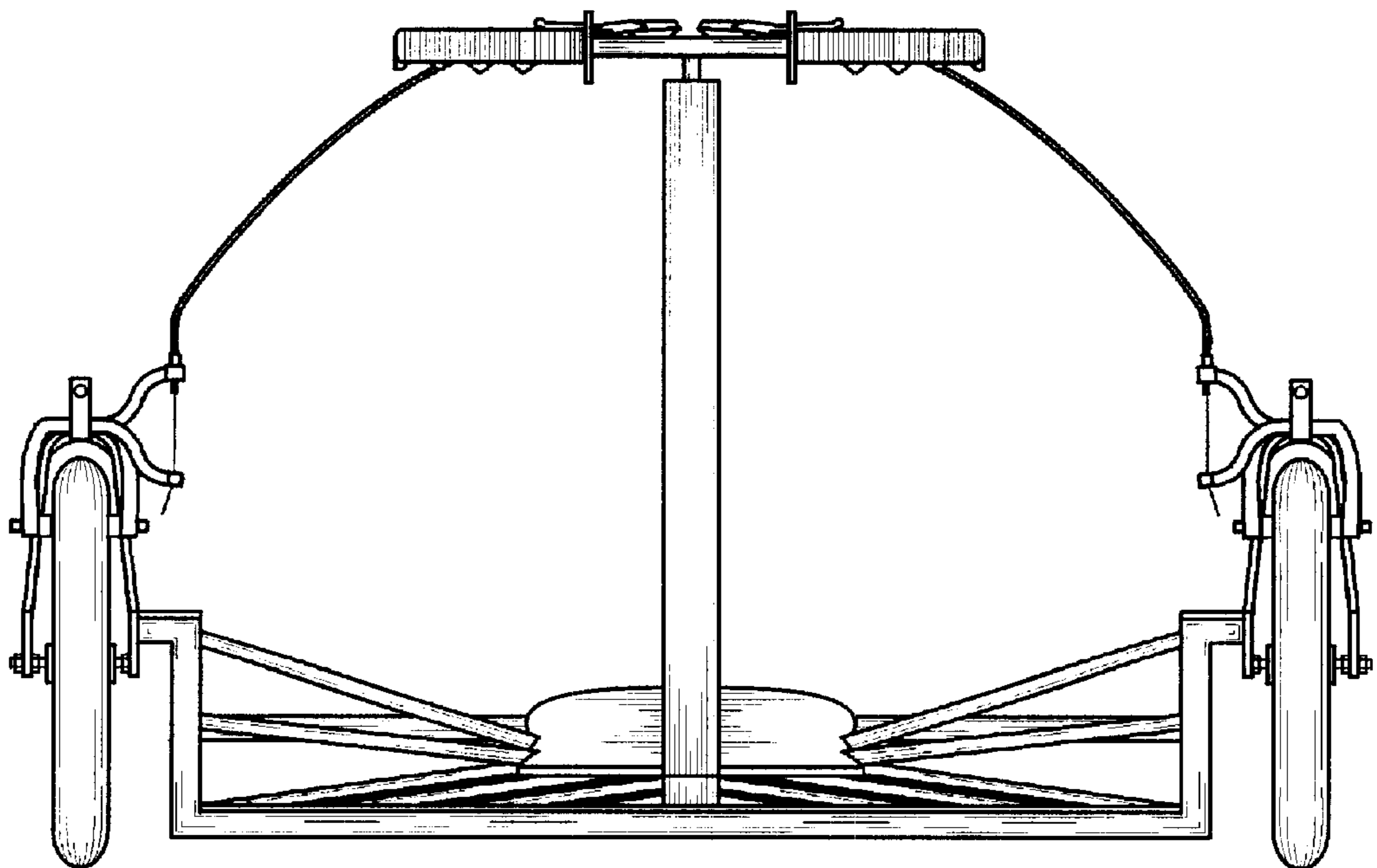


FIG. 4

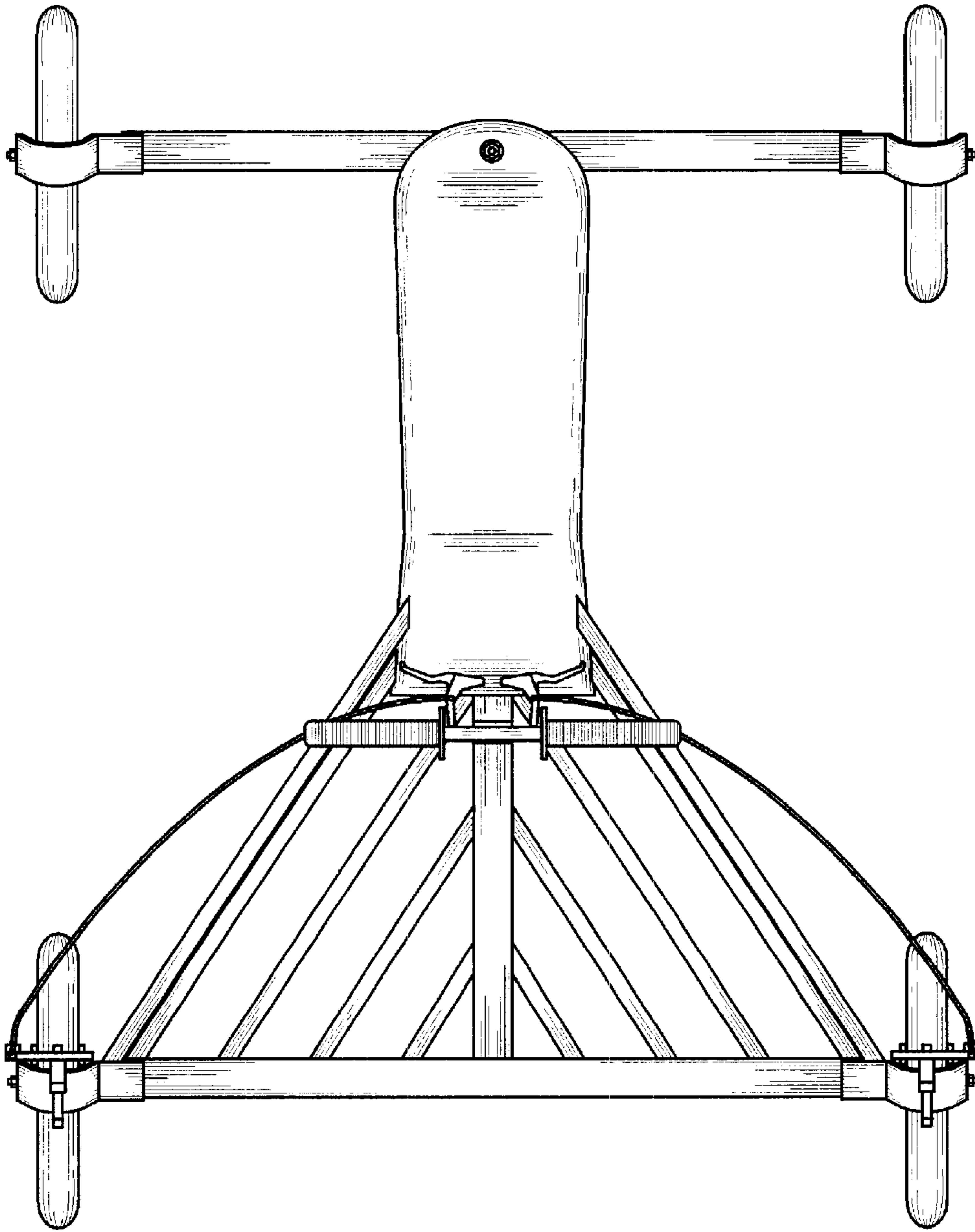


FIG. 5

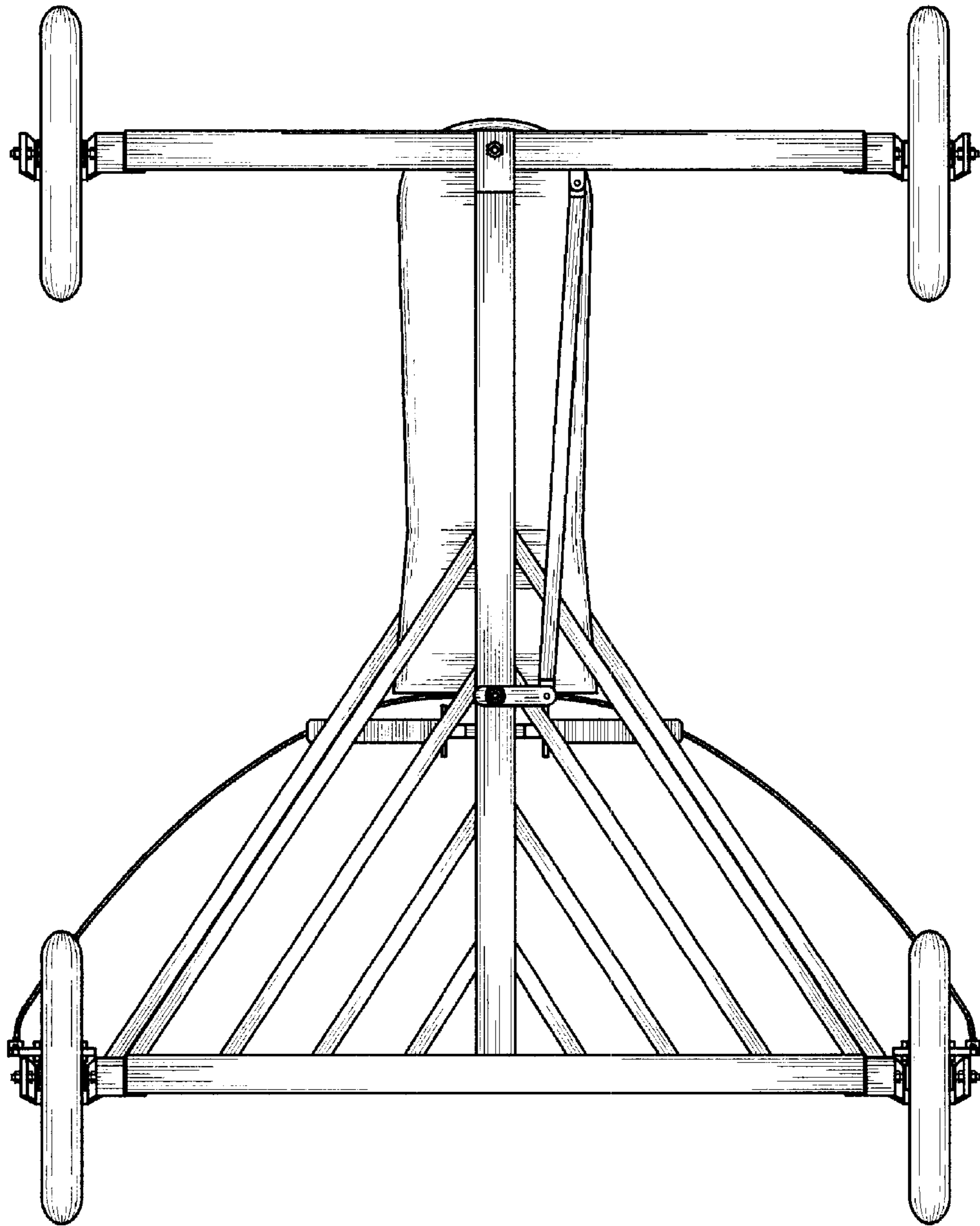


FIG. 6