



US00D466163S

(12) **United States Design Patent**  
**Ennis**

(10) **Patent No.:** **US D466,163 S**

(45) **Date of Patent:** **\*\* Nov. 26, 2002**

(54) **CRIBBAGE BOARD**

(76) Inventor: **Hal Ennis**, 8010 - 161 Street,  
Edmonton, Alberta (CA), T5R 2K6

(\*\*) Term: **14 Years**

(21) Appl. No.: **29/142,761**

(22) Filed: **Jun. 1, 2001**

(30) **Foreign Application Priority Data**

Dec. 7, 2000 (CA) ..... 2000-3258

(51) **LOC (7) Cl.** ..... **21-01**

(52) **U.S. Cl.** ..... **D21/343**

(58) **Field of Search** ..... D10/46.1, 71;  
D21/343; 273/243, 148 R

(56) **References Cited**

**U.S. PATENT DOCUMENTS**

D91,962 S	*	4/1934	Pawliger	.....	D21/343
2,223,175 A	*	11/1940	Ink	.....	273/243
3,954,268 A		5/1976	Zyla	.....	273/134
4,010,956 A		3/1977	Zyla et al.	.....	273/134
D358,557 S	*	5/1995	Waterman	.....	D10/46.1
D378,743 S	*	4/1997	McDonald et al.	.....	D10/71
D406,538 S	*	3/1999	Cornell et al.	.....	D10/71

**FOREIGN PATENT DOCUMENTS**

CA 1195001 10/1985 ..... A63F/7/30

**OTHER PUBLICATIONS**

Voedisch, Lynn, "Ignored by gamemakers, inventors turn to Web", *Chicago Tribune*, Section 5, Feb. 4, 1999.

Assorted electronic games, 8 pp.

Marra, Lynn, Marra Design Associates, Inc., Letter to Hal Ennis, Oct. 26, 2001, 7 pp.

\* cited by examiner

*Primary Examiner*—Sandra L. Morris

(74) *Attorney, Agent, or Firm*—Davis & Bujold, P.L.L.C.

(57) **CLAIM**

The ornamental design for a cribbage board, as shown and described.

**DESCRIPTION**

FIG. 1 is a perspective view of the cribbage board

FIG. 2 is a top plan view of the cribbage board

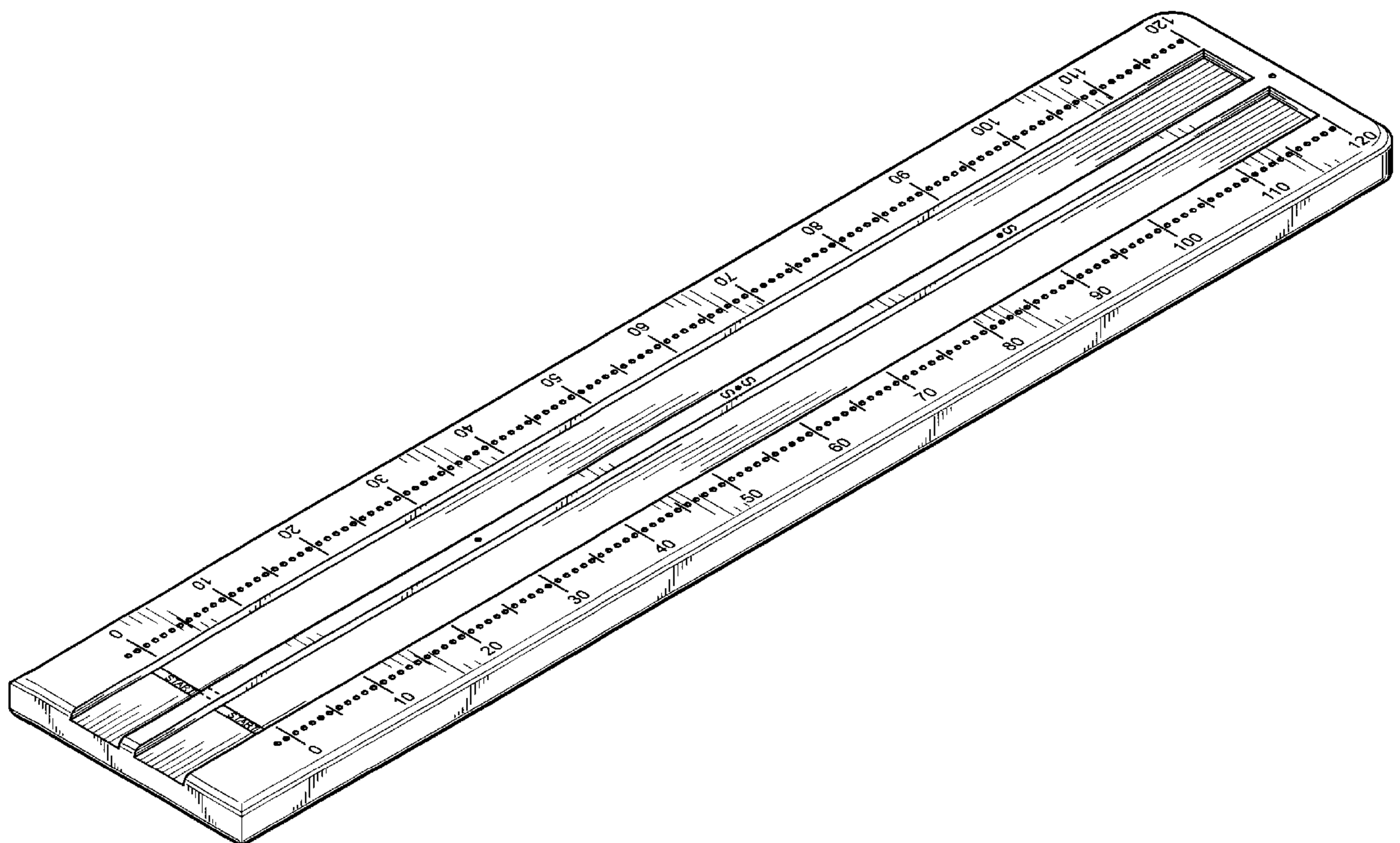
FIG. 3 is a bottom plan view of the cribbage board

FIG. 4 is a first end elevation view of the cribbage board

FIG. 5 is a second end elevation view of the cribbage board; and,

FIG. 6 is a side elevation view of the cribbage board.

**1 Claim, 3 Drawing Sheets**



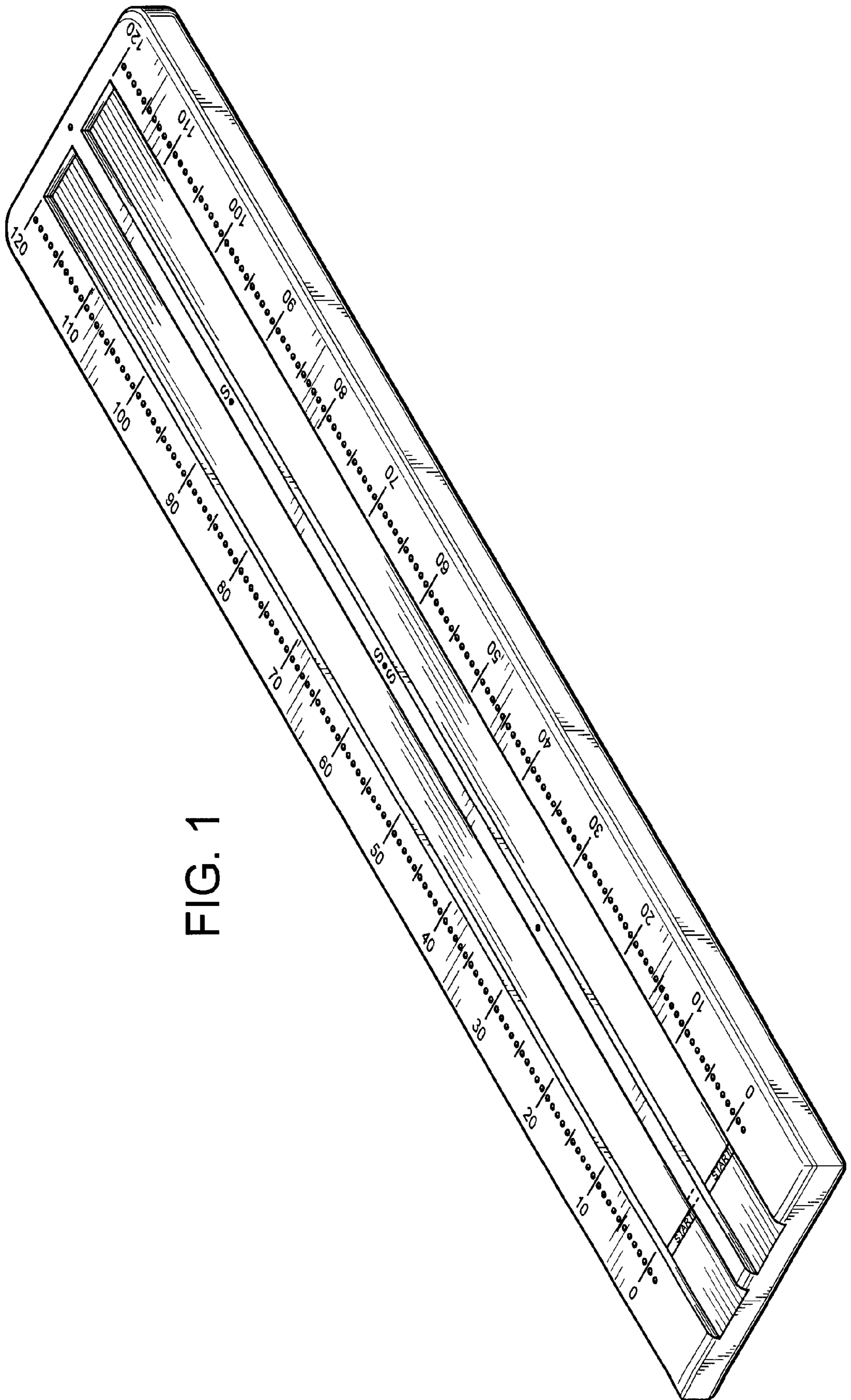


FIG. 1

FIG. 2

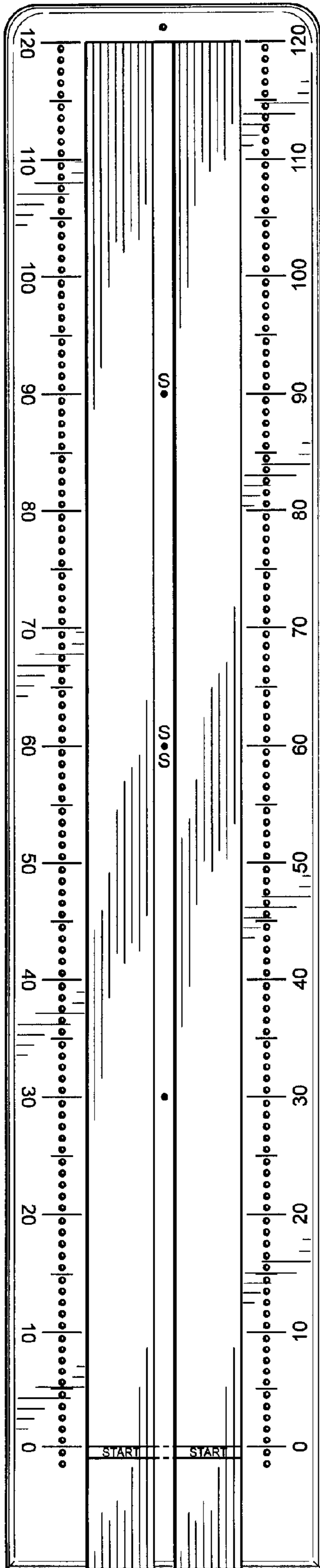


FIG. 3

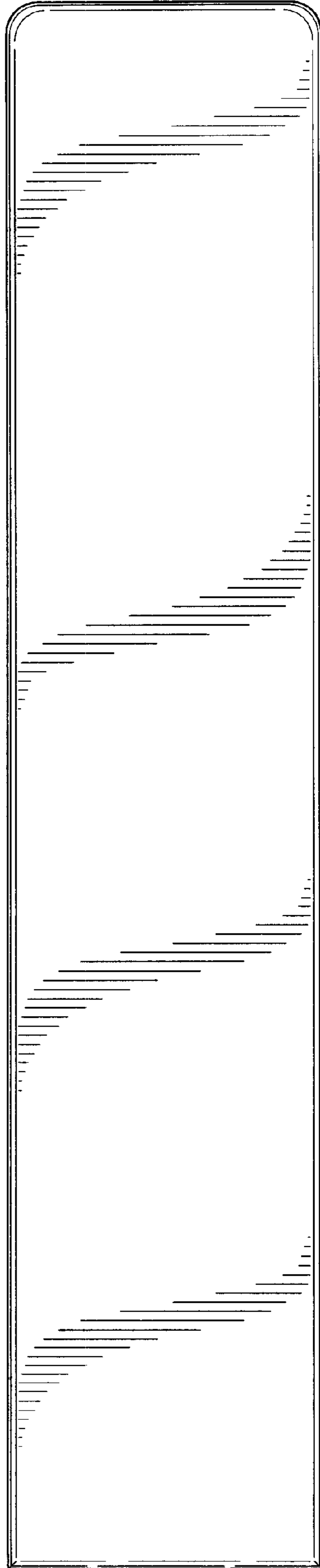


FIG. 5

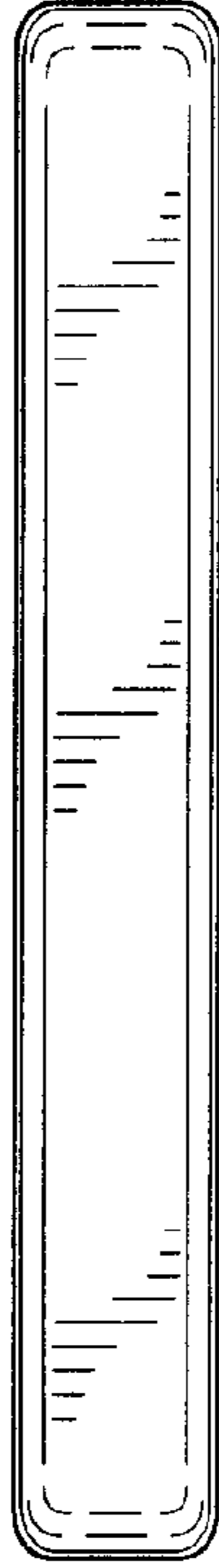


FIG. 4

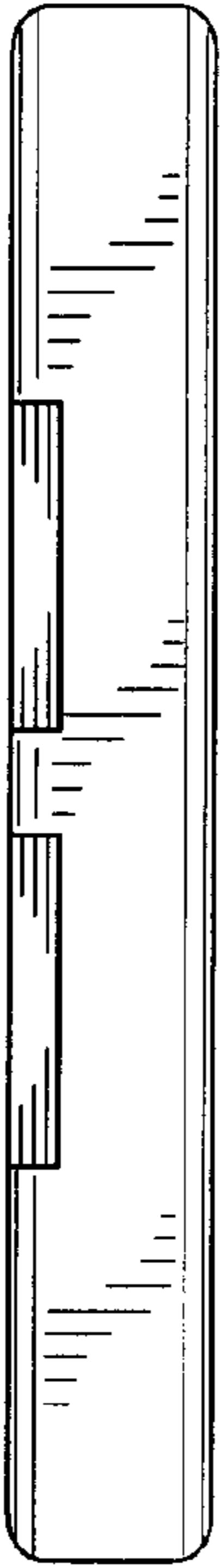


FIG. 6

