



US00D466161S

(12) **United States Design Patent**  
**Takahashi et al.**

(10) **Patent No.:** **US D466,161 S**

(45) **Date of Patent:** **\*\* Nov. 26, 2002**

(54) **GAME MACHINE**

(75) Inventors: **Masami Takahashi**, Tokyo (JP);  
**Mitsushige Takeuchi**, Tokyo (JP);  
**Noriyoshi Chikui**, Tokyo (JP); **Ryoji Hayashi**, Tokyo (JP)

(73) Assignee: **NEC Corporation**, Tokyo (JP)

(\*\*) Term: **14 Years**

(21) Appl. No.: **29/152,582**

(22) Filed: **Dec. 27, 2001**

(30) **Foreign Application Priority Data**

Jun. 29, 2001 (JP) ..... 2001-019096

(51) **LOC (7) Cl.** ..... **21-01**

(52) **U.S. Cl.** ..... **D21/327; D21/369**

(58) **Field of Search** ..... D21/324-327,  
D21/333, 369-375; 273/148 B, 138.1, 139,  
142 R, 274, 292; 463/1, 13, 16, 17, 6, 23,  
30-35, 42, 46, 47

(56) **References Cited**

**U.S. PATENT DOCUMENTS**

D254,557 S \* 3/1980 Nunis ..... D21/327

5,263,715 A \* 11/1993 Matsumoto et al. .... 463/22  
RE35,819 E \* 6/1998 Suzuki ..... 463/6  
D396,067 S \* 7/1998 Uehara ..... D21/369  
D396,888 S \* 8/1998 Hayashi ..... D21/327  
5,879,235 A \* 3/1999 Kaneko et al. .... 463/34  
D410,256 S \* 5/1999 Uehara et al. .... D21/327  
6,019,369 A \* 2/2000 Nakagawa et al. .... 463/6  
6,394,898 B1 \* 5/2002 Nagao et al. .... 463/6  
D458,646 S \* 6/2002 Lynch ..... D21/327

\* cited by examiner

*Primary Examiner*—Prabhakar Deshmukh

(74) *Attorney, Agent, or Firm*—Sughrue Mion, PLLC

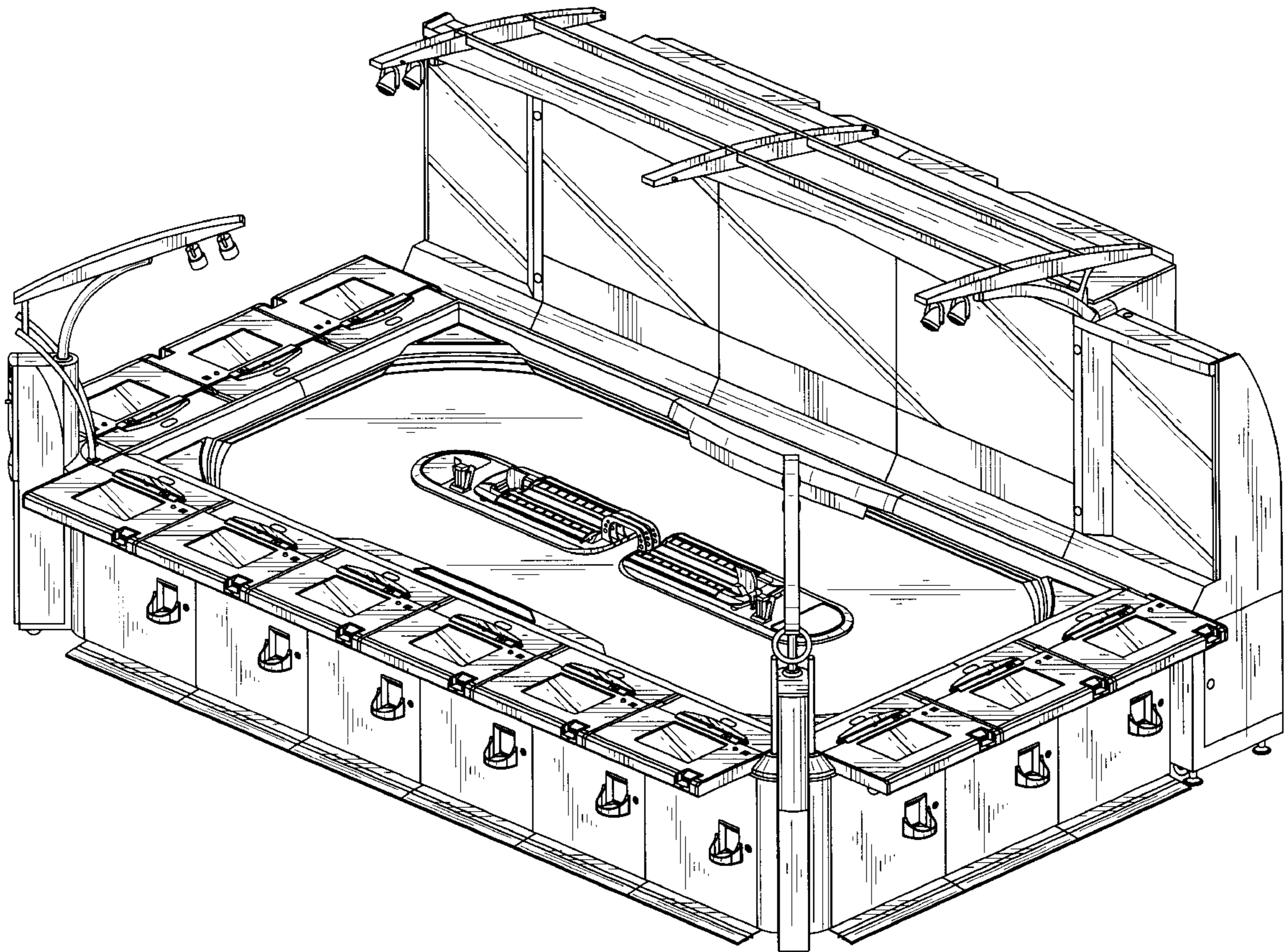
(57) **CLAIM**

The ornamental design for a game machine, as shown.

**DESCRIPTION**

FIG. 1 is a perspective view of the top, front and right side of a game machine showing our new design; FIG. 2 is a front elevational view thereof; FIG. 3 is a left side elevational view thereof; FIG. 4 is a right side elevational view thereof; FIG. 5 is a rear elevational view thereof; FIG. 6 is a top plan view thereof; and, FIG. 7 is a bottom plan view thereof.

**1 Claim, 7 Drawing Sheets**



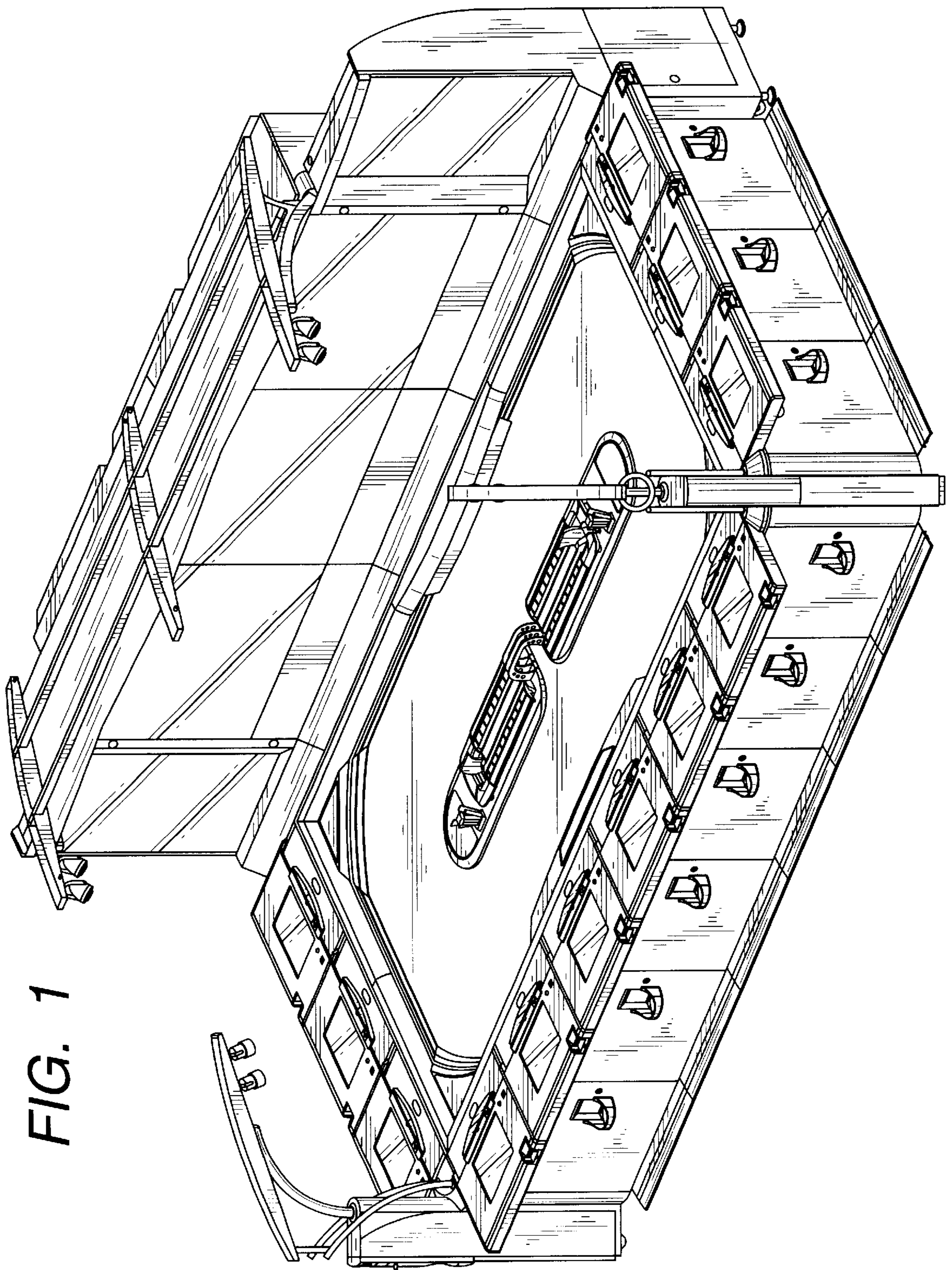


FIG. 1

FIG. 2

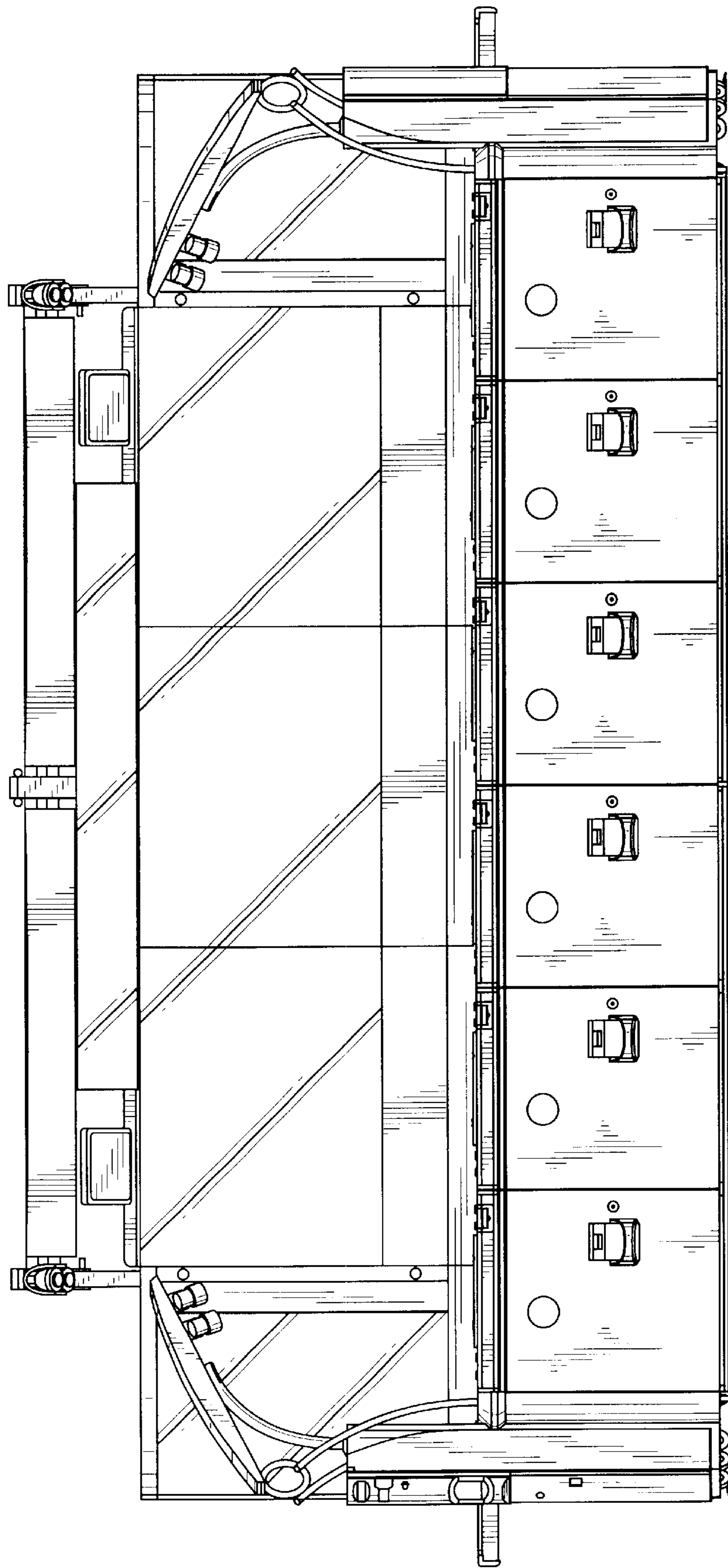


FIG. 3

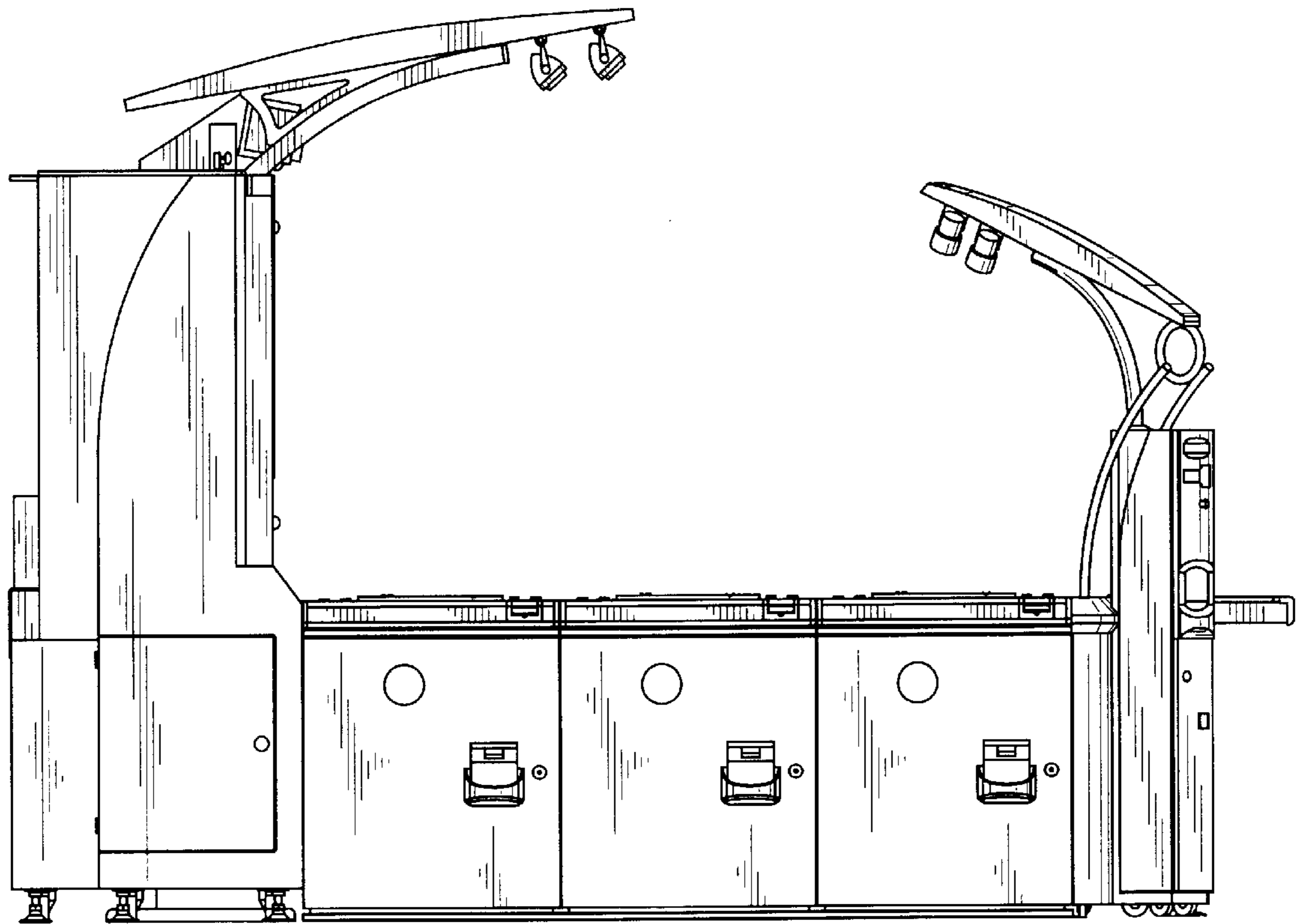


FIG. 4

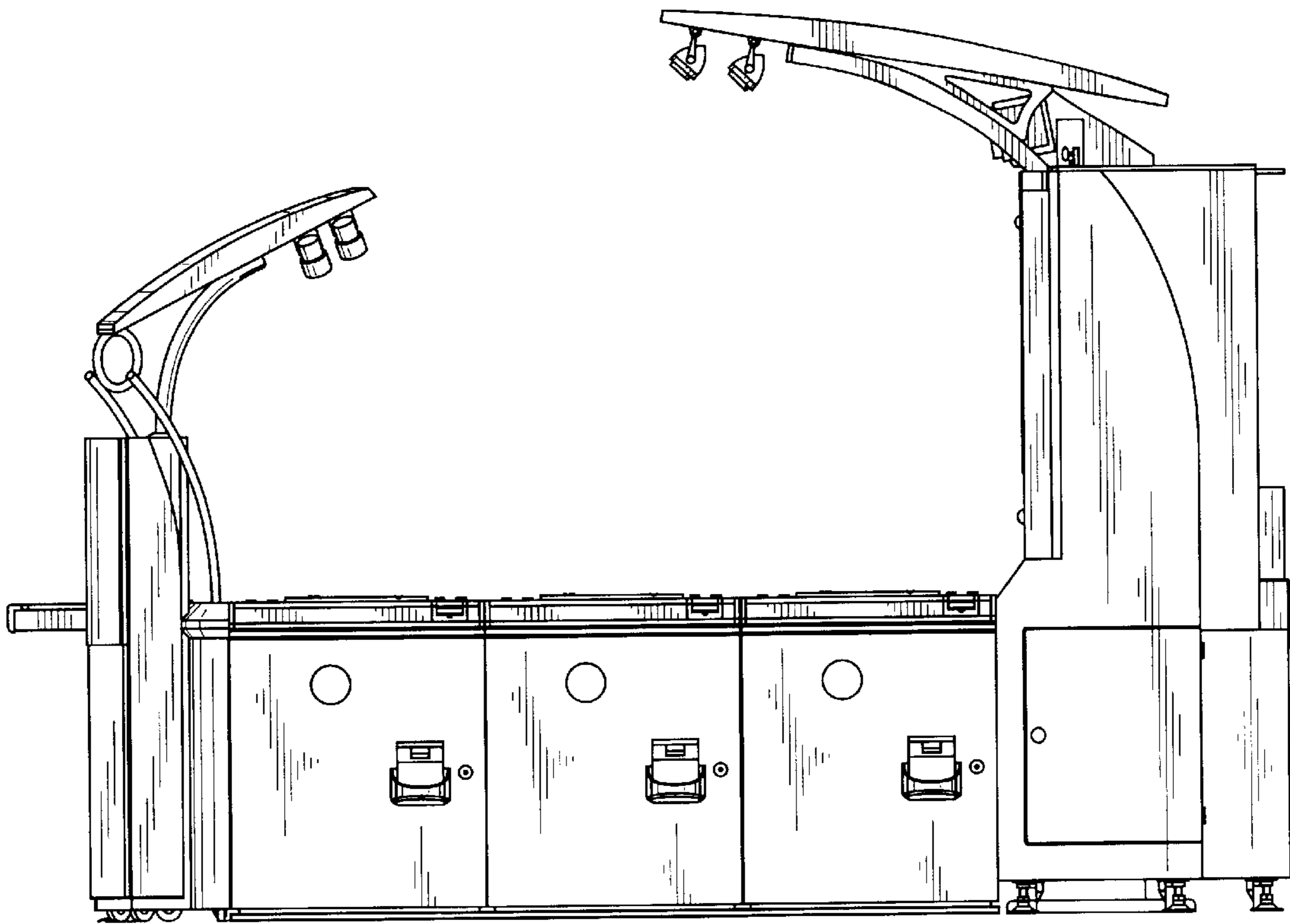


FIG. 5

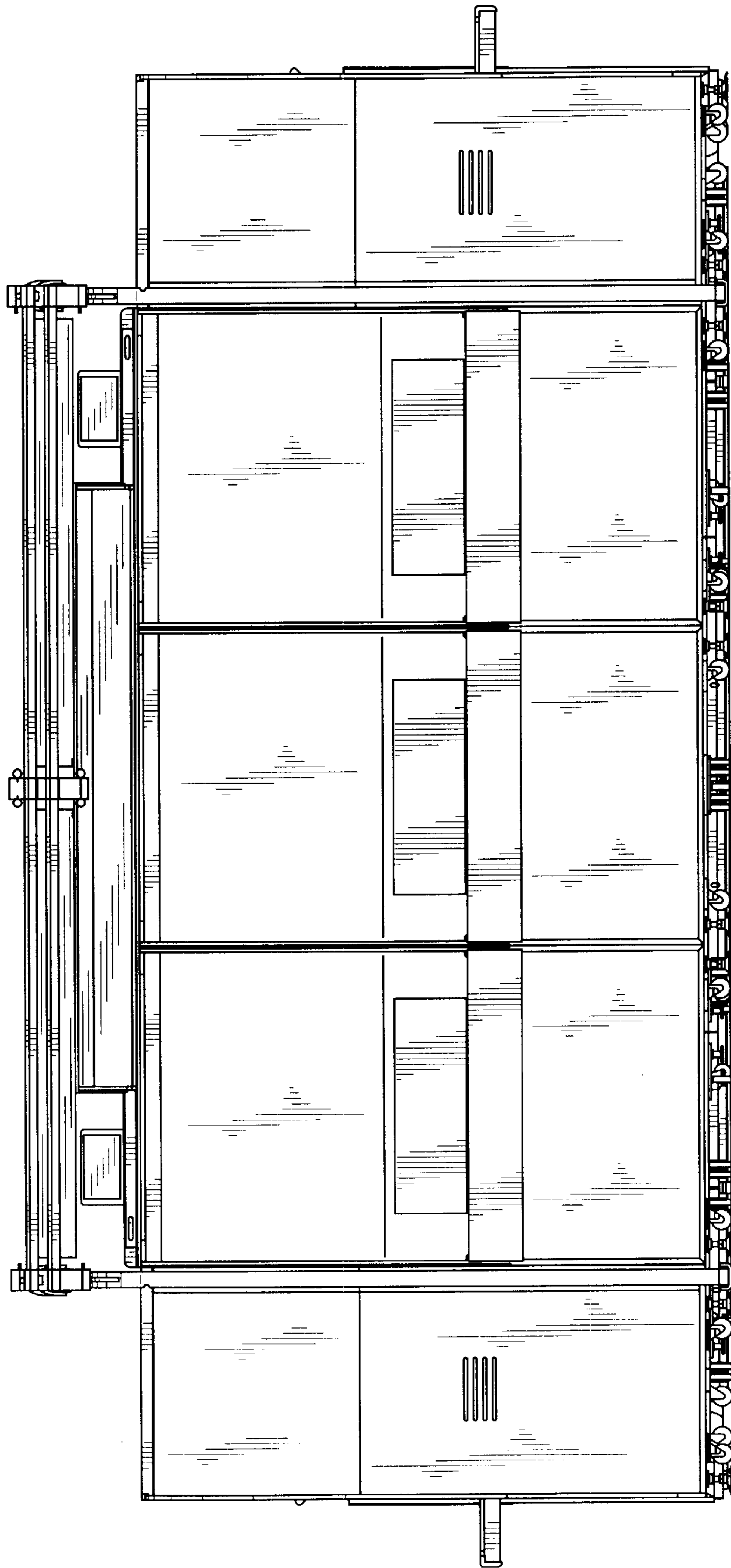


FIG. 6

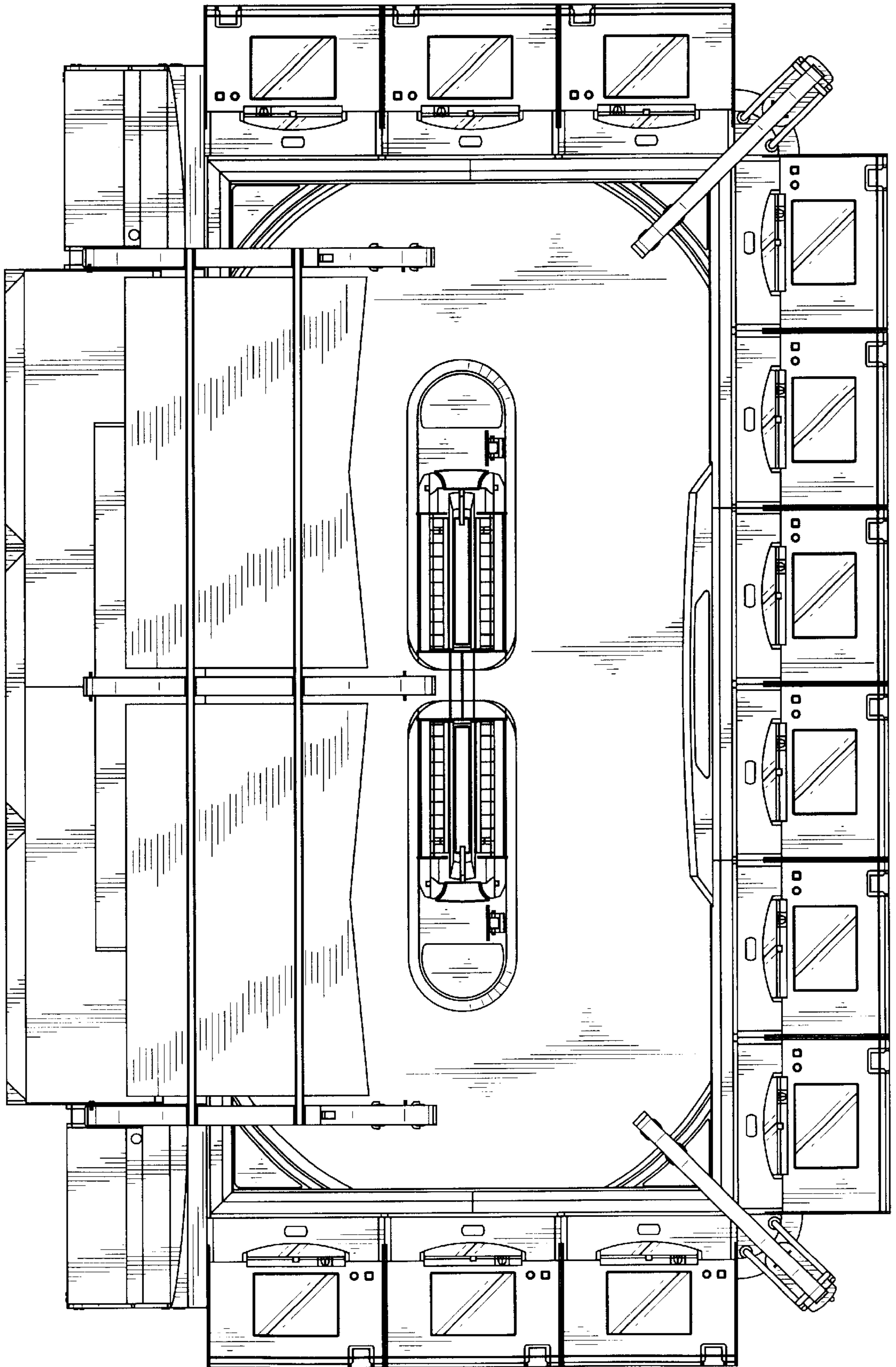


FIG. 7

