



US00D466151S

(12) **United States Design Patent**
Shinada et al.

(10) **Patent No.:** **US D466,151 S**

(45) **Date of Patent:** **** Nov. 26, 2002**

(54) **INK CARTRIDGE FOR PRINTER**

(75) Inventors: **Satoshi Shinada, Suwa (JP); Hisashi Miyazawa, Suwa (JP); Yasuto Sakai, Suwa (JP)**

(73) Assignee: **Seiko Epson Corporation, Tokyo (JP)**

(**) Term: **14 Years**

(21) Appl. No.: **29/150,269**

(22) Filed: **Nov. 16, 2001**

(30) **Foreign Application Priority Data**

May 18, 2001 (JP) 2001-014407
May 18, 2001 (JP) 2001-014409

(51) **LOC (7) Cl.** **18-02**

(52) **U.S. Cl.** **D18/56; 347/86**

(58) **Field of Search** **D18/43, 56; 347/86, 347/87**

(56) **References Cited**

U.S. PATENT DOCUMENTS

D391,289 S * 2/1998 Inoue et al. D18/56
D400,574 S * 11/1998 Inoue et al. D18/56
D423,569 S * 4/2000 Gassett et al. D18/56
D424,612 S * 5/2000 Inoue et al. D18/56
D425,932 S * 5/2000 Shimizu et al. D18/56
D430,897 S * 9/2000 Bishop et al. D18/56
D438,560 S * 3/2001 Inoue et al. D18/56
6,203,148 B1 * 3/2001 Kishida 347/86
D441,787 S * 5/2001 Bishop et al. D18/56

D446,545 S * 8/2001 Tanaka D18/56
D450,083 S * 11/2001 Bishop et al. D18/56
D453,184 S * 1/2002 Ito et al. D18/56

* cited by examiner

Primary Examiner—Cathy Anne MacCormac

(74) *Attorney, Agent, or Firm*—Stroock & Stroock & Lavan LLP

(57) **CLAIM**

The ornamental design for an ink cartridge for printer, as shown and described.

DESCRIPTION

FIG. 1 is a top, front and right side perspective view of an ink cartridge for printer showing our new design;
FIG. 2 is a top plan view thereof;
FIG. 3 is a front view thereof;
FIG. 4 is a rear view thereof;
FIG. 5 is a left side view thereof;
FIG. 6 is a right side view thereof;
FIG. 7 is a bottom view thereof;
FIG. 8 is a top, front and right side perspective view of a second embodiment of FIG. 1;
FIG. 9 is a top plan view of FIG. 8 thereof;
FIG. 10 is a front view of FIG. 8;
FIG. 11 is a rear view of FIG. 8;
FIG. 12 is a left side view of FIG. 8;
FIG. 13 is a right side view of FIG. 8; and,
FIG. 14 is a bottom view of FIG. 8.

1 Claim, 6 Drawing Sheets

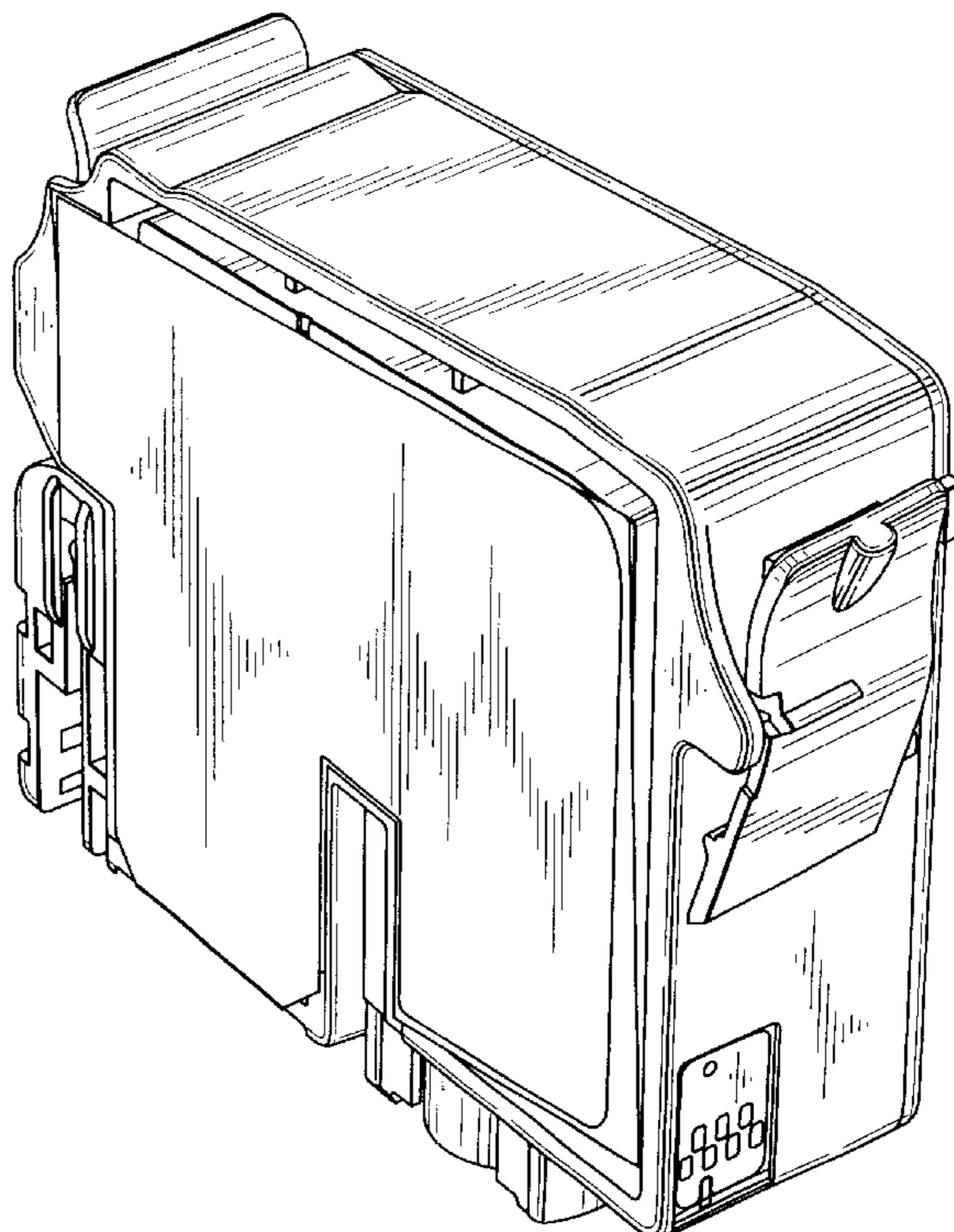
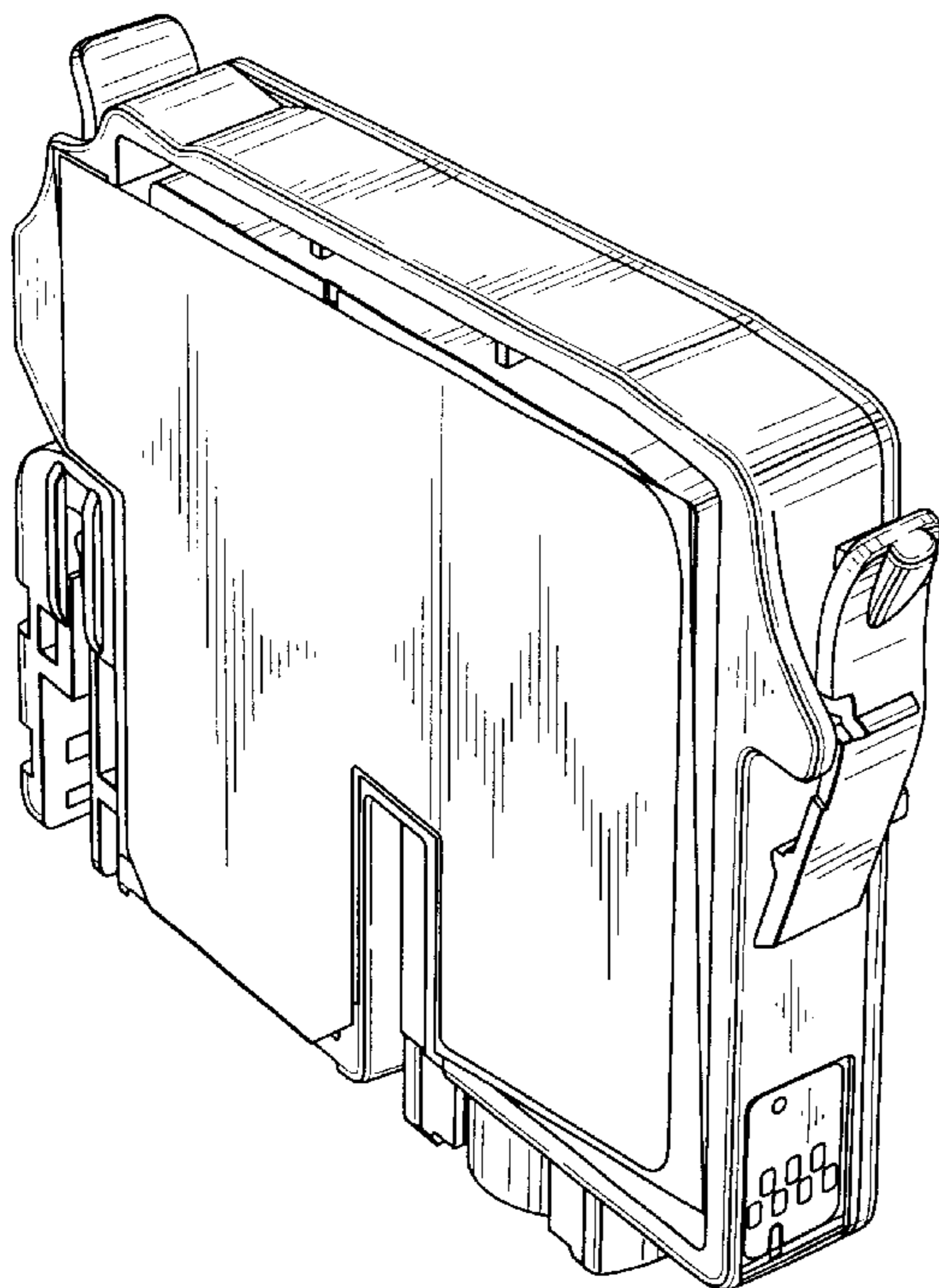


FIG. 1

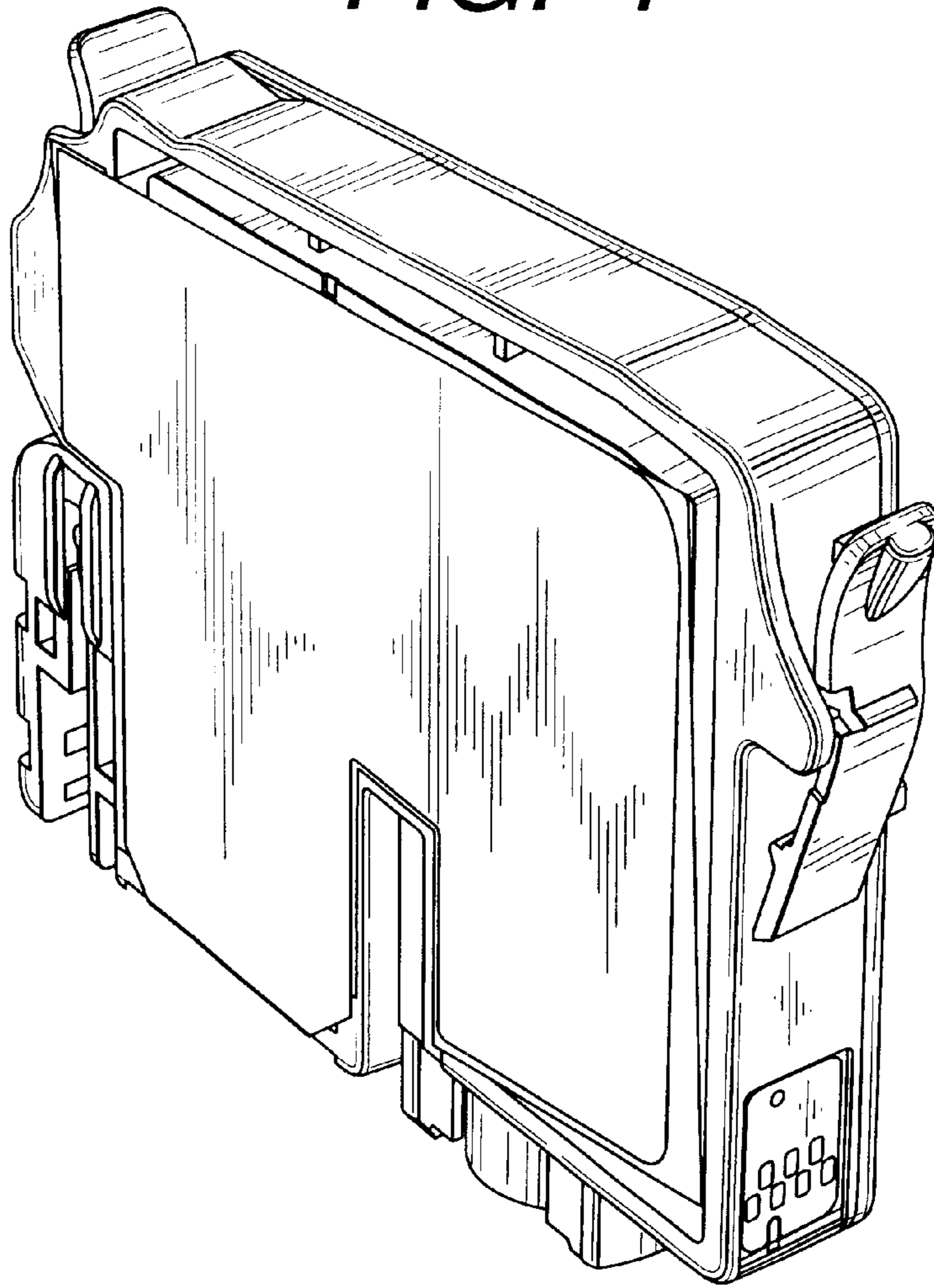


FIG. 2

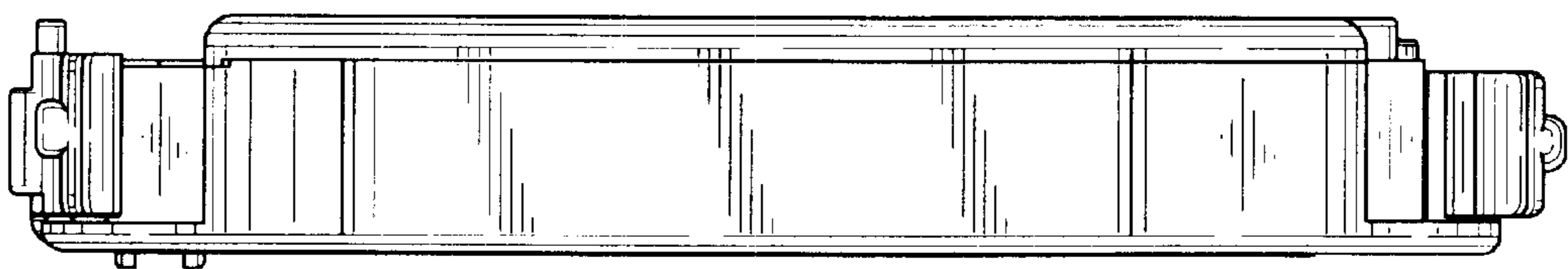


FIG. 3

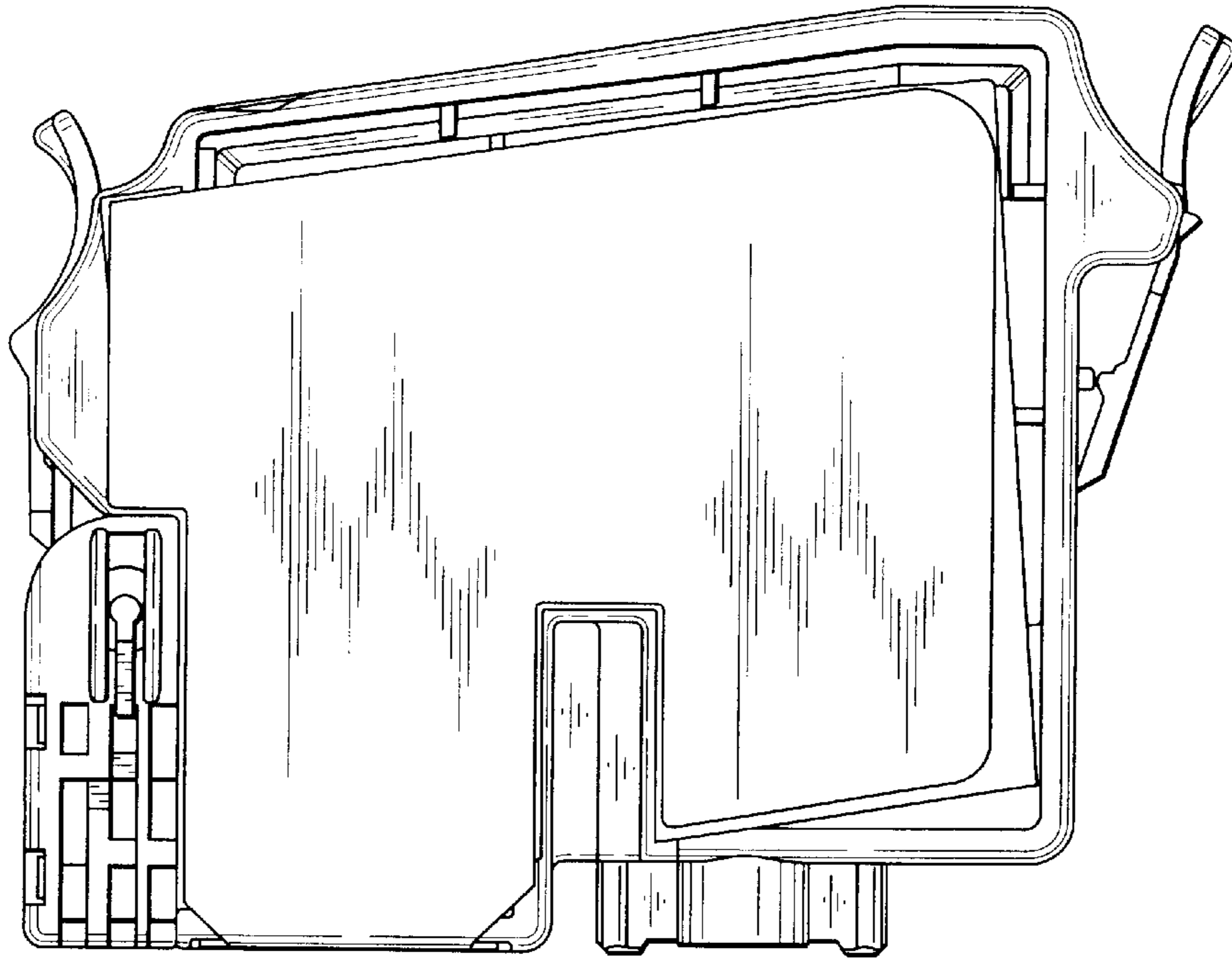


FIG. 4

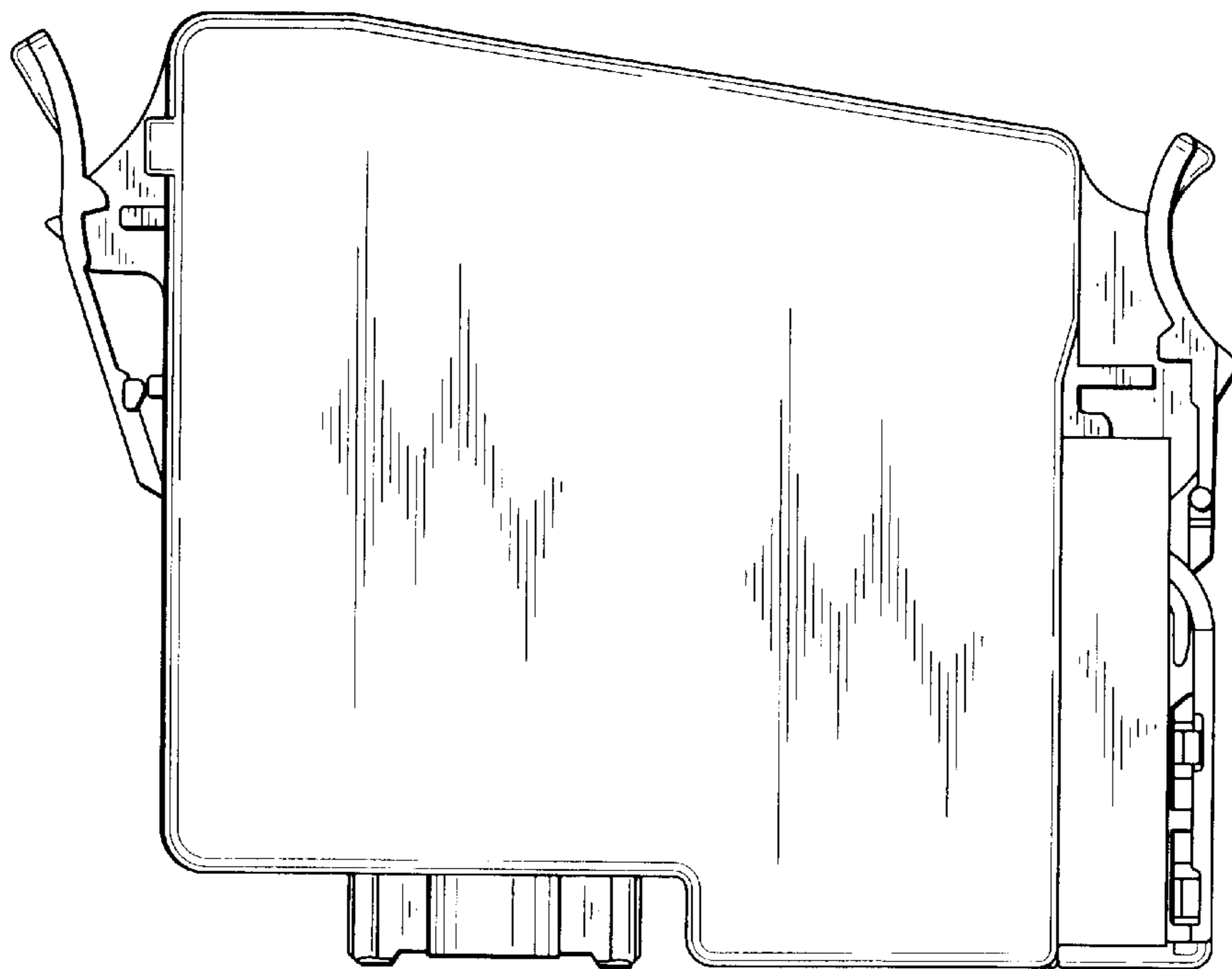


FIG. 5

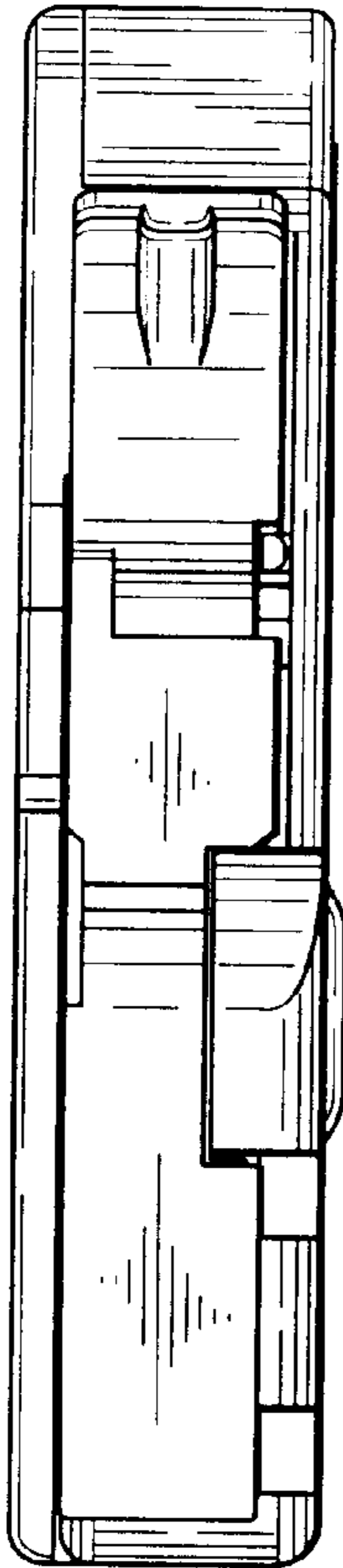


FIG. 6

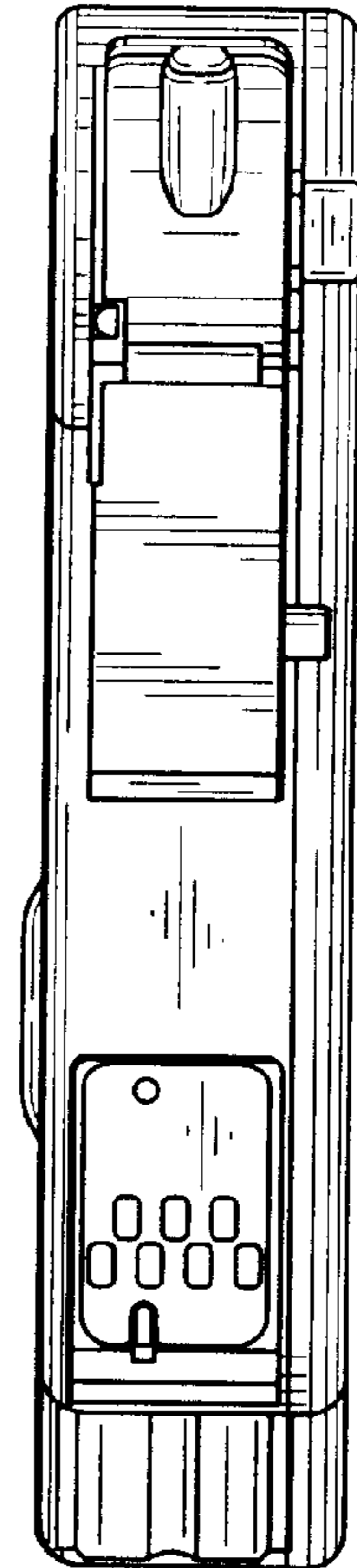


FIG. 7

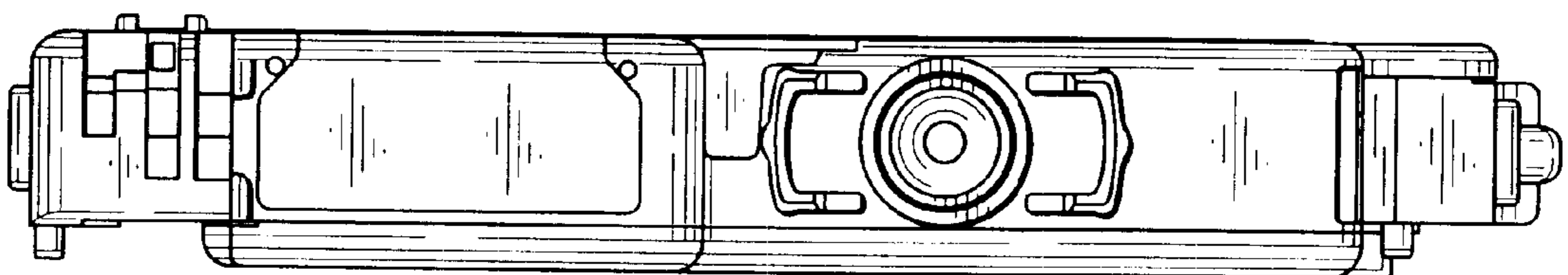


FIG. 8

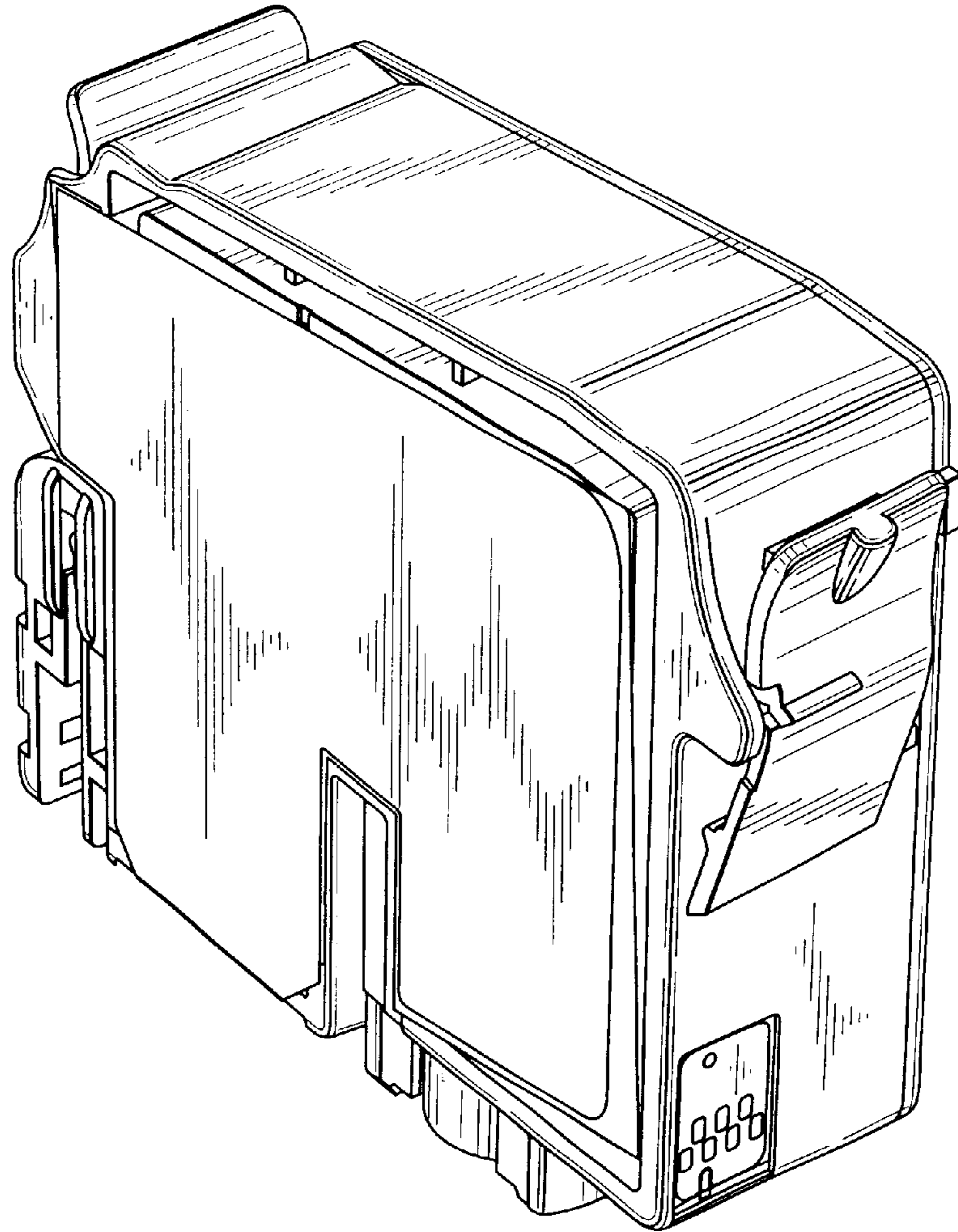


FIG. 9

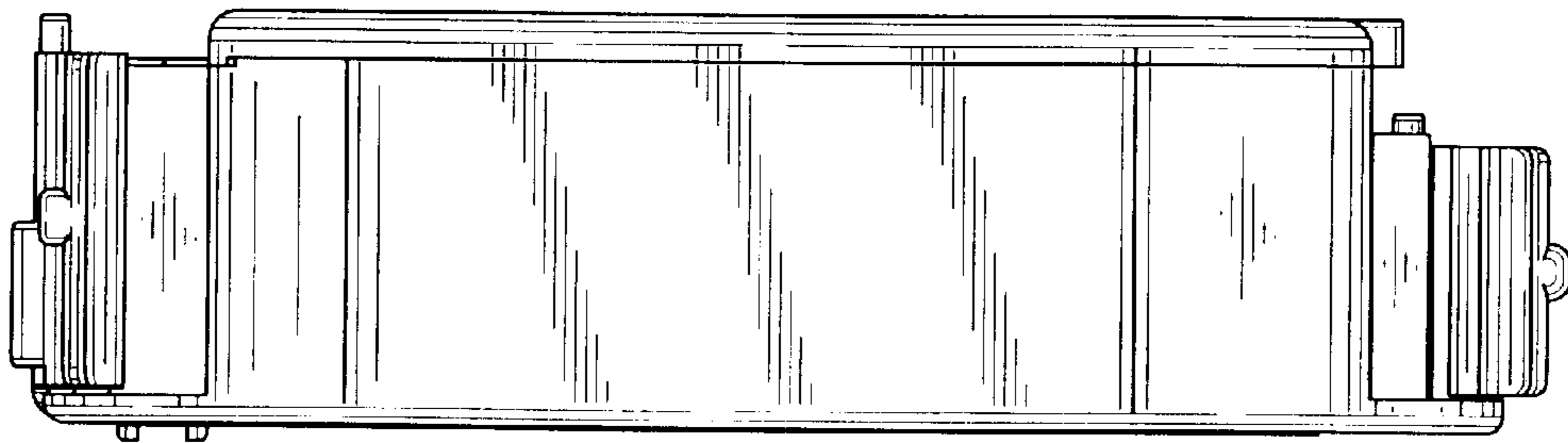


FIG. 10

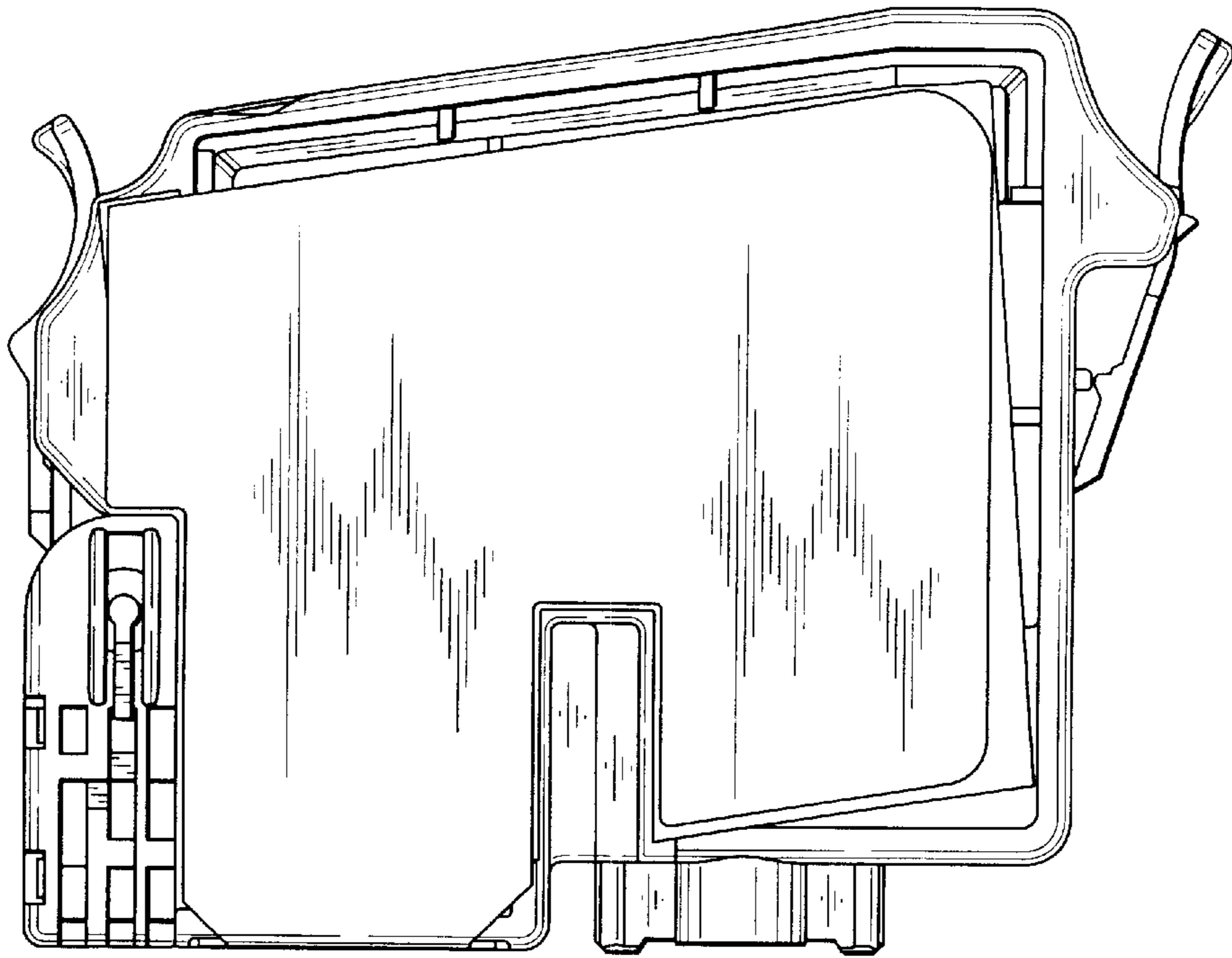


FIG. 11

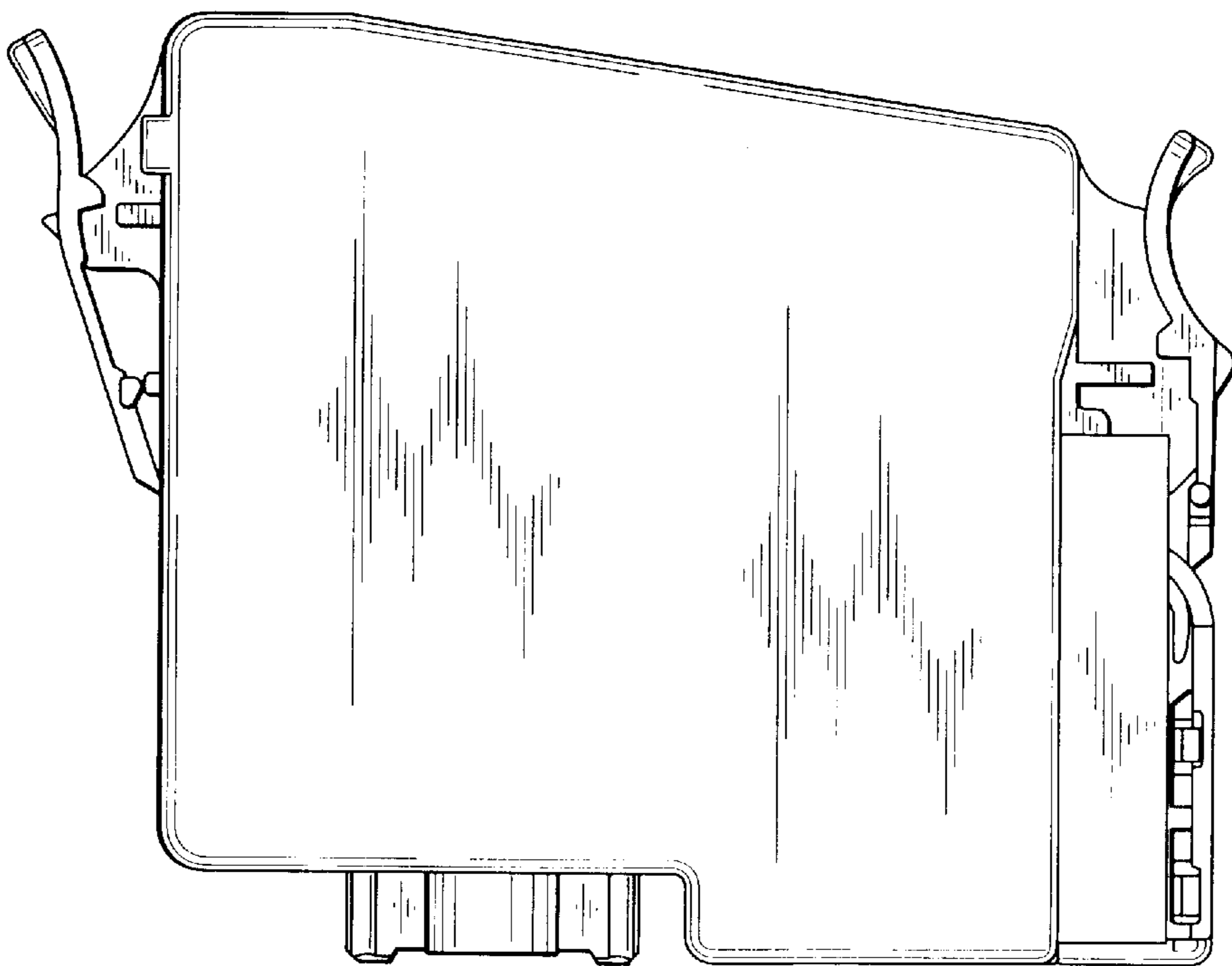


FIG. 12

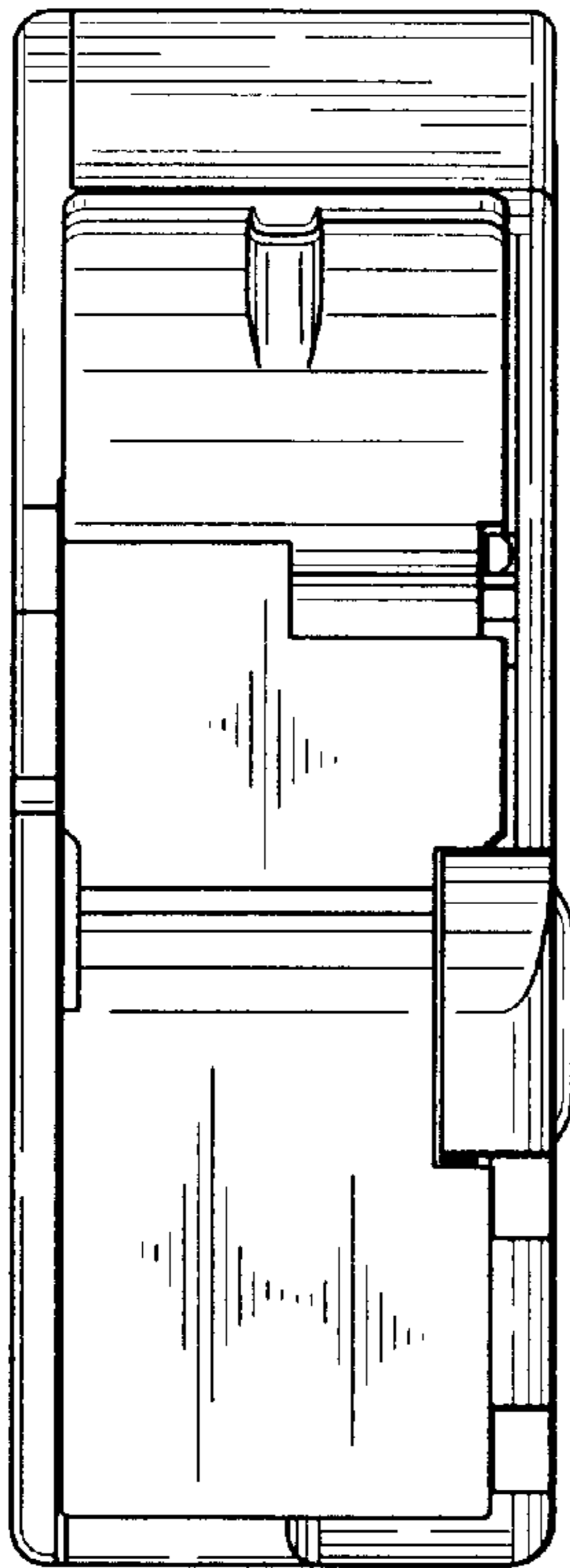


FIG. 13

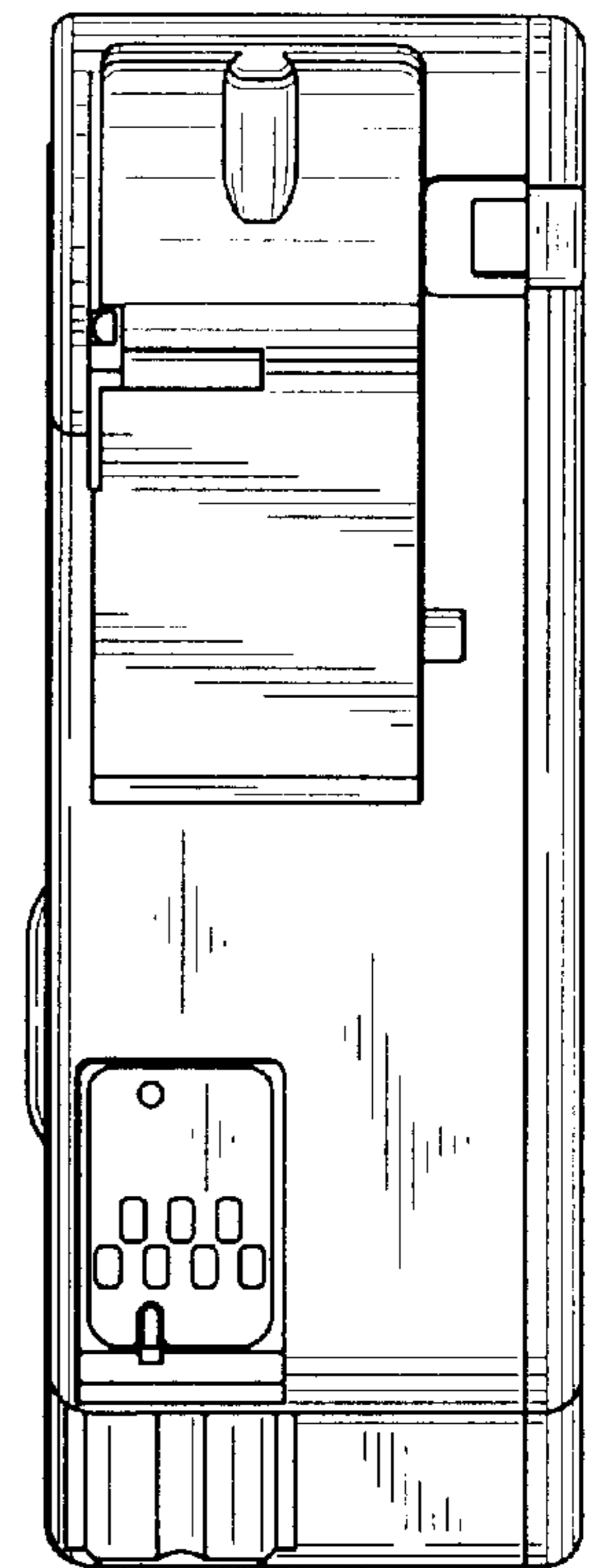


FIG. 14

