



US00D466150S

(12) **United States Design Patent**
Matsumoto et al.

(10) **Patent No.:** **US D466,150 S**

(45) **Date of Patent:** **** Nov. 26, 2002**

(54) **TAPE CARTRIDGE FOR LABEL PRINTING MACHINE**

(75) **Inventors:** **Shigeru Matsumoto, Toyokawa (JP); Shigeki Kato, Chiryu (JP)**

(73) **Assignee:** **Brother Industries, Ltd., Nagoya (JP)**

(**) **Term:** **14 Years**

(21) **Appl. No.:** **29/138,630**

(22) **Filed:** **Mar. 19, 2001**

(30) **Foreign Application Priority Data**

Sep. 29, 2000 (JP) 2000-027616

(51) **LOC (7) Cl.** **18-02**

(52) **U.S. Cl.** **D18/56**

(58) **Field of Search** D18/43, 56, 44, D18/12, 40; 400/208, 209, 235.1, 207, 234, 194-196, 196.1, 200-202, 202.2-202.4, 613, 240.2, 612, 197; 347/86, 87, 218, 178; D14/475, 476, 477, 484; 222/409, 423; 242/348, 341, 347

(56) **References Cited**

U.S. PATENT DOCUMENTS

D216,281 S * 12/1969 Moyroud D18/43
D227,263 S * 6/1973 Allison D14/475
4,823,953 A * 4/1989 Anderson et al. 400/613
4,910,533 A * 3/1990 Sasaki et al. 347/178

D327,495 S * 6/1992 Nagai D18/56
D330,215 S * 10/1992 Saito et al. D18/40
5,358,351 A * 10/1994 Murata et al. 400/613
5,455,617 A * 10/1995 Stephenson et al. 400/207
5,599,115 A * 2/1997 Radcliffe et al. 400/207
D378,759 S * 4/1997 Hattori et al. D18/56
5,631,690 A * 5/1997 Tashiro et al. D18/56
5,909,237 A * 6/1999 Kerr et al. 347/218
6,089,486 A * 7/2000 DiRisio 242/348
6,130,699 A * 10/2000 Christensen et al. 400/234
6,183,153 B1 * 2/2001 Kamoda et al. 400/207
6,203,221 B1 * 3/2001 Tomasik et al. 400/613

* cited by examiner

Primary Examiner—Cathy Anne MacCormac

(74) *Attorney, Agent, or Firm*—Oliff & Berridge, PLC

(57) **CLAIM**

The ornamental design for a tape cartridge for label printing machine, as shown and described.

DESCRIPTION

FIG. 1 is a top view of the tape cartridge for label printing machine;

FIG. 2 is a bottom view thereof;

FIG. 3 is a front view thereof;

FIG. 4 is a rear view thereof;

FIG. 5 is a left view thereof;

FIG. 6 is a right view thereof;

FIG. 7 is a perspective view thereof the right end; and,

FIG. 8 is a perspective view thereof from the left end.

1 Claim, 4 Drawing Sheets

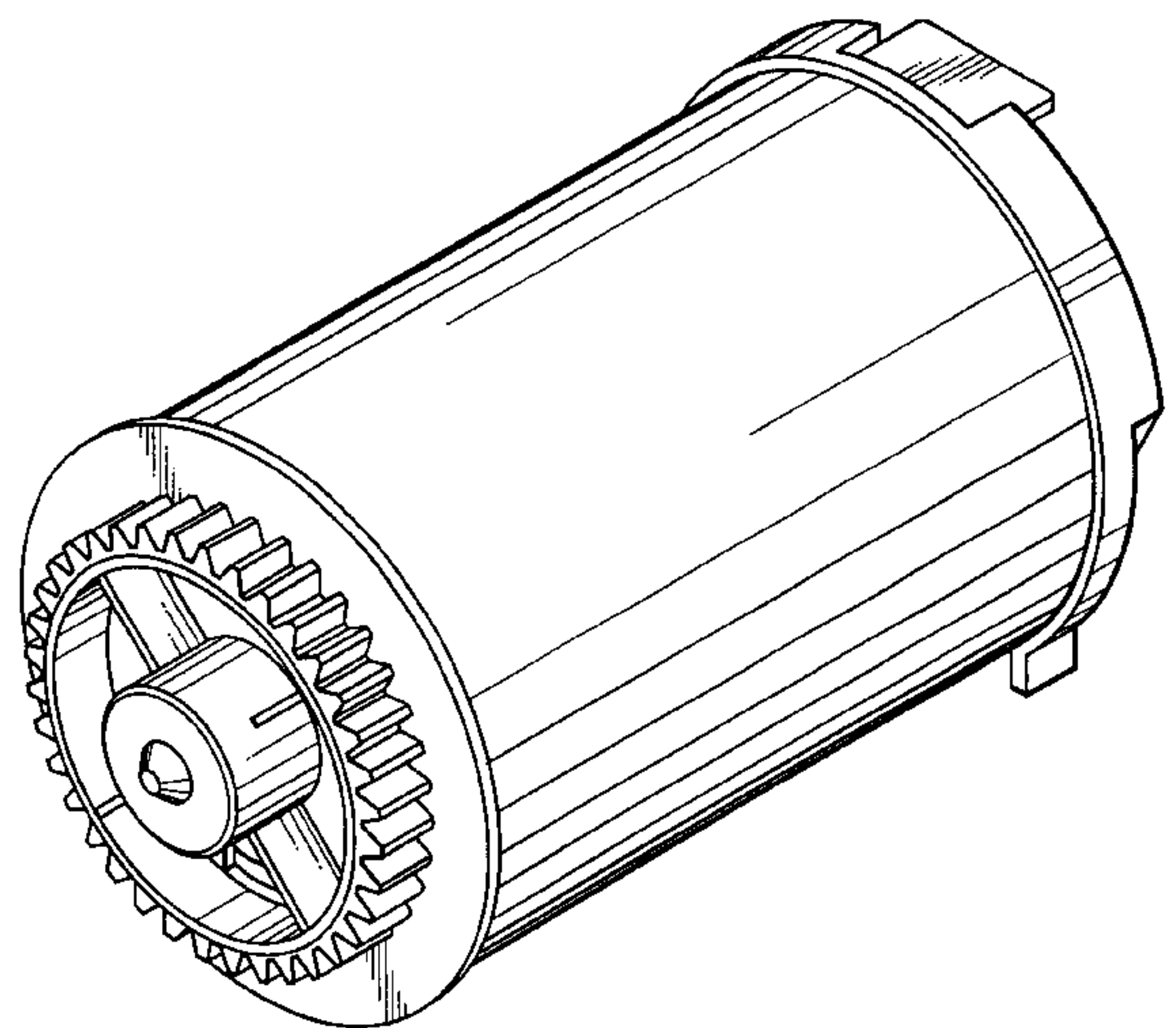
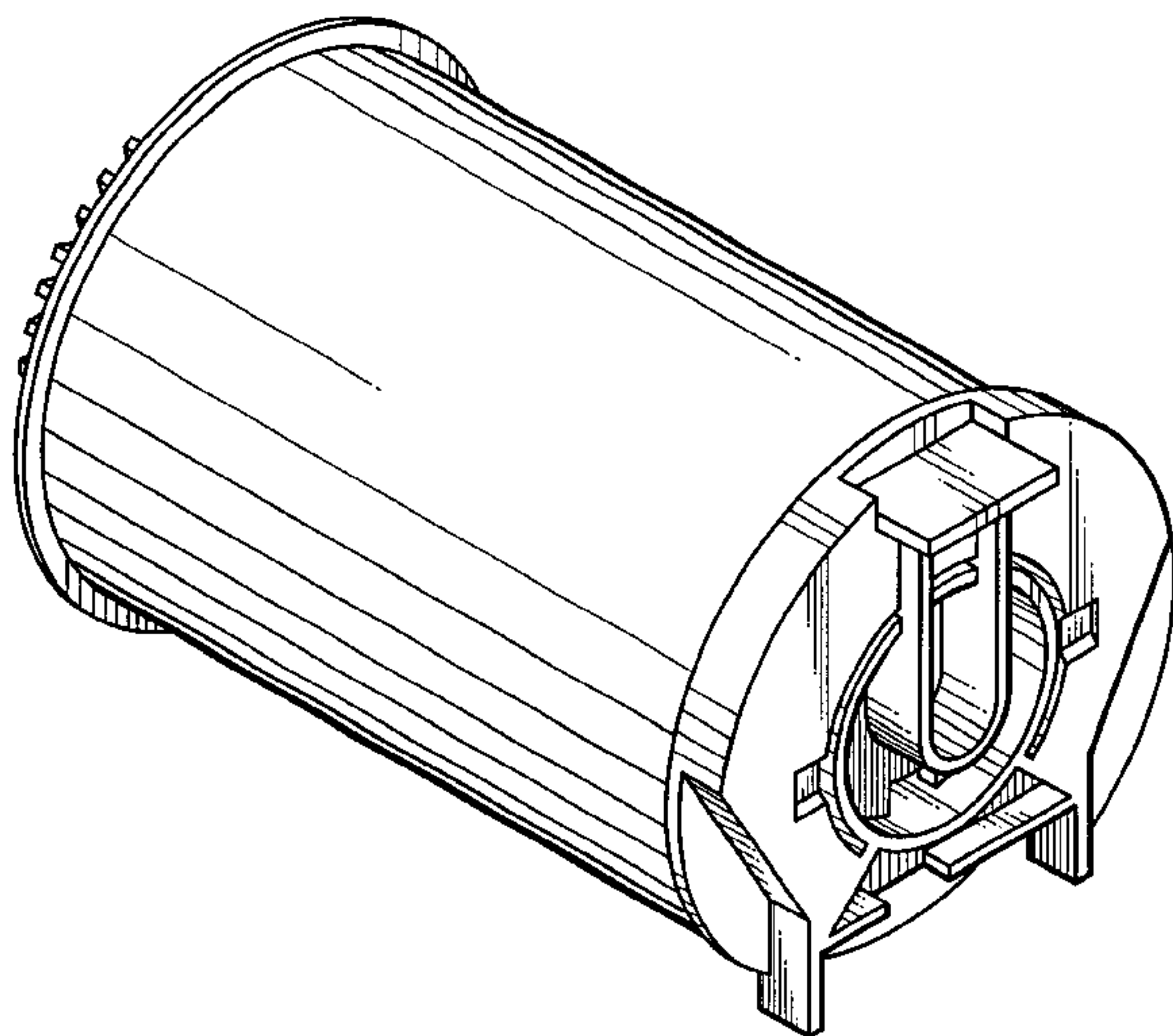


Fig. 1

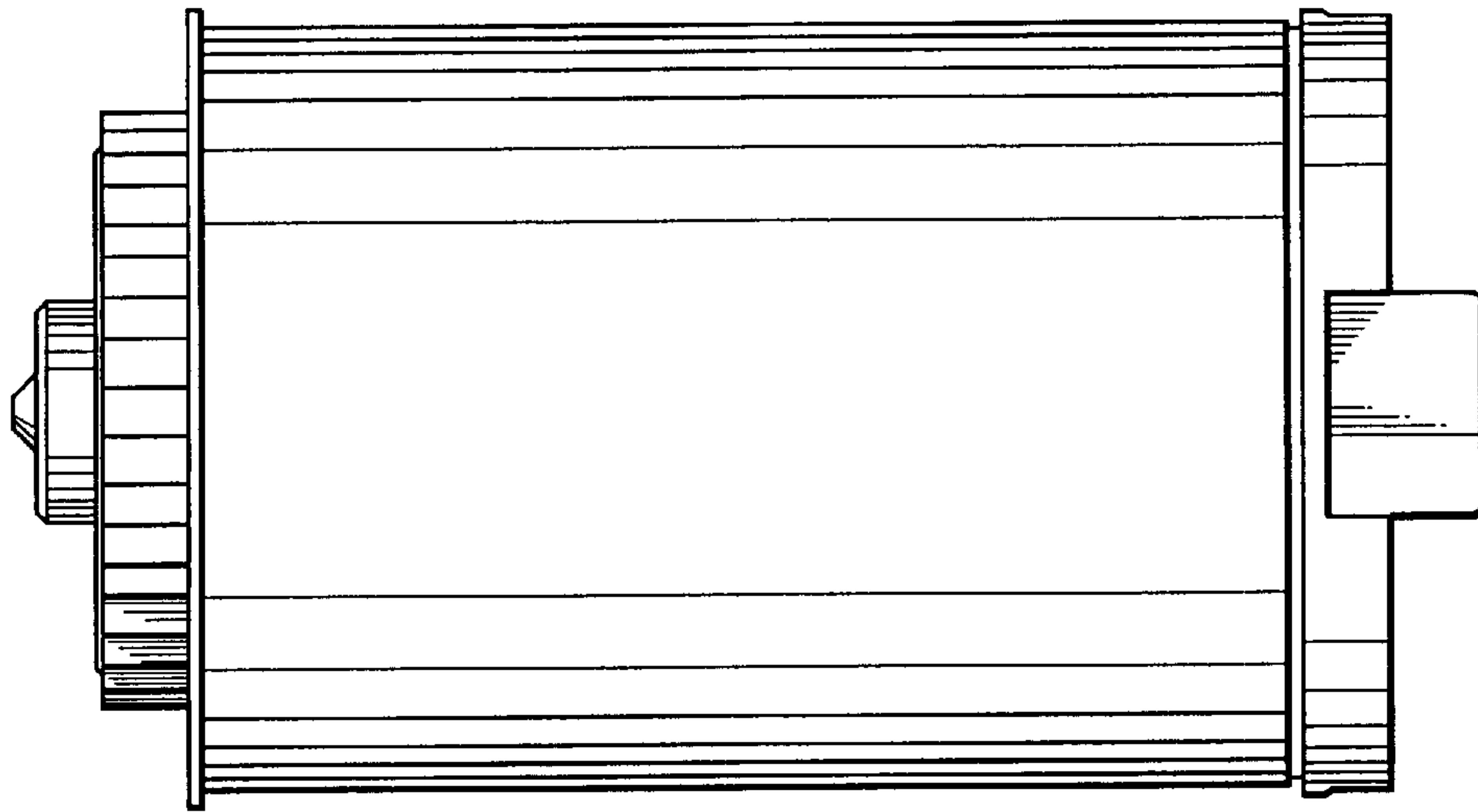
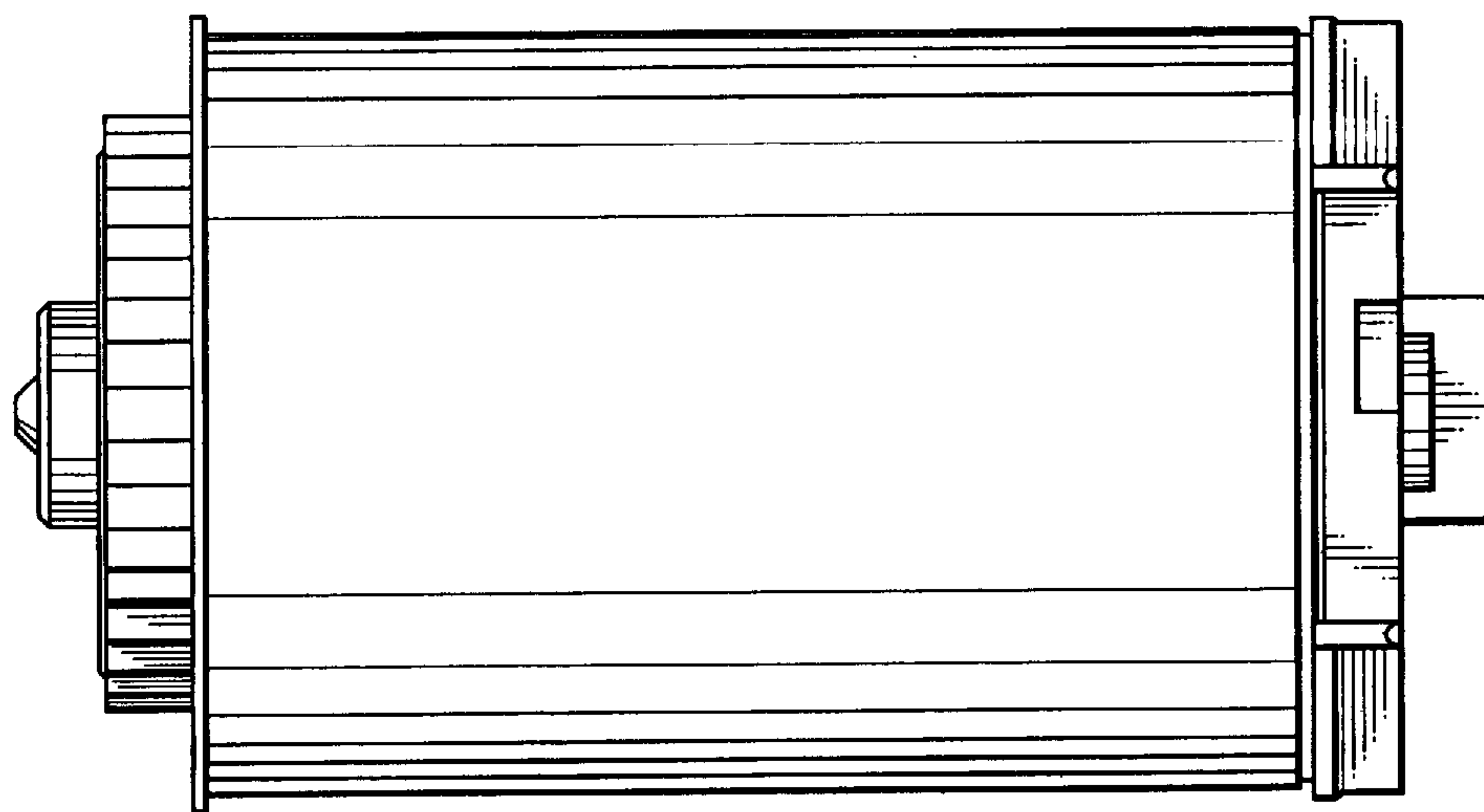


Fig. 2



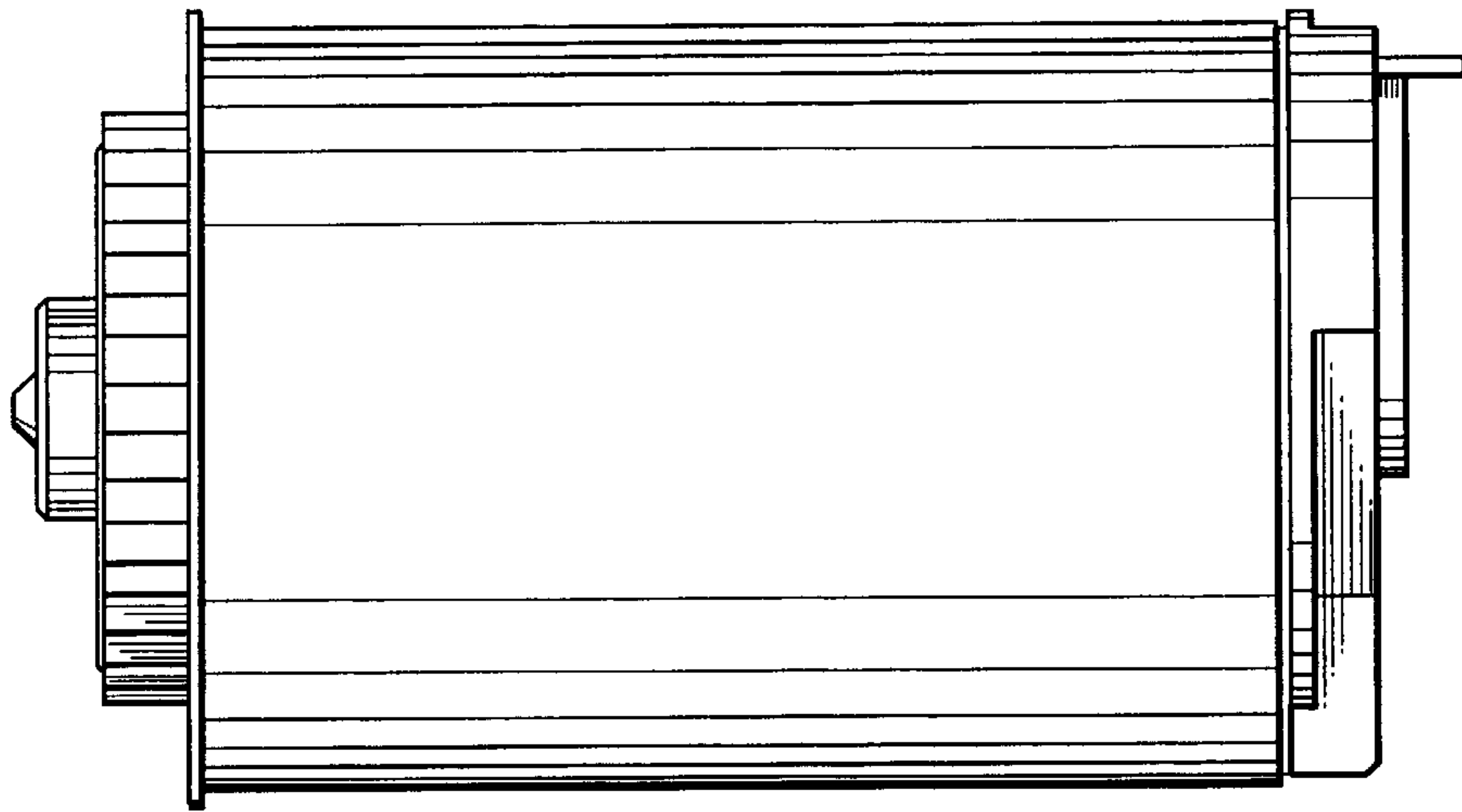


Fig. 3

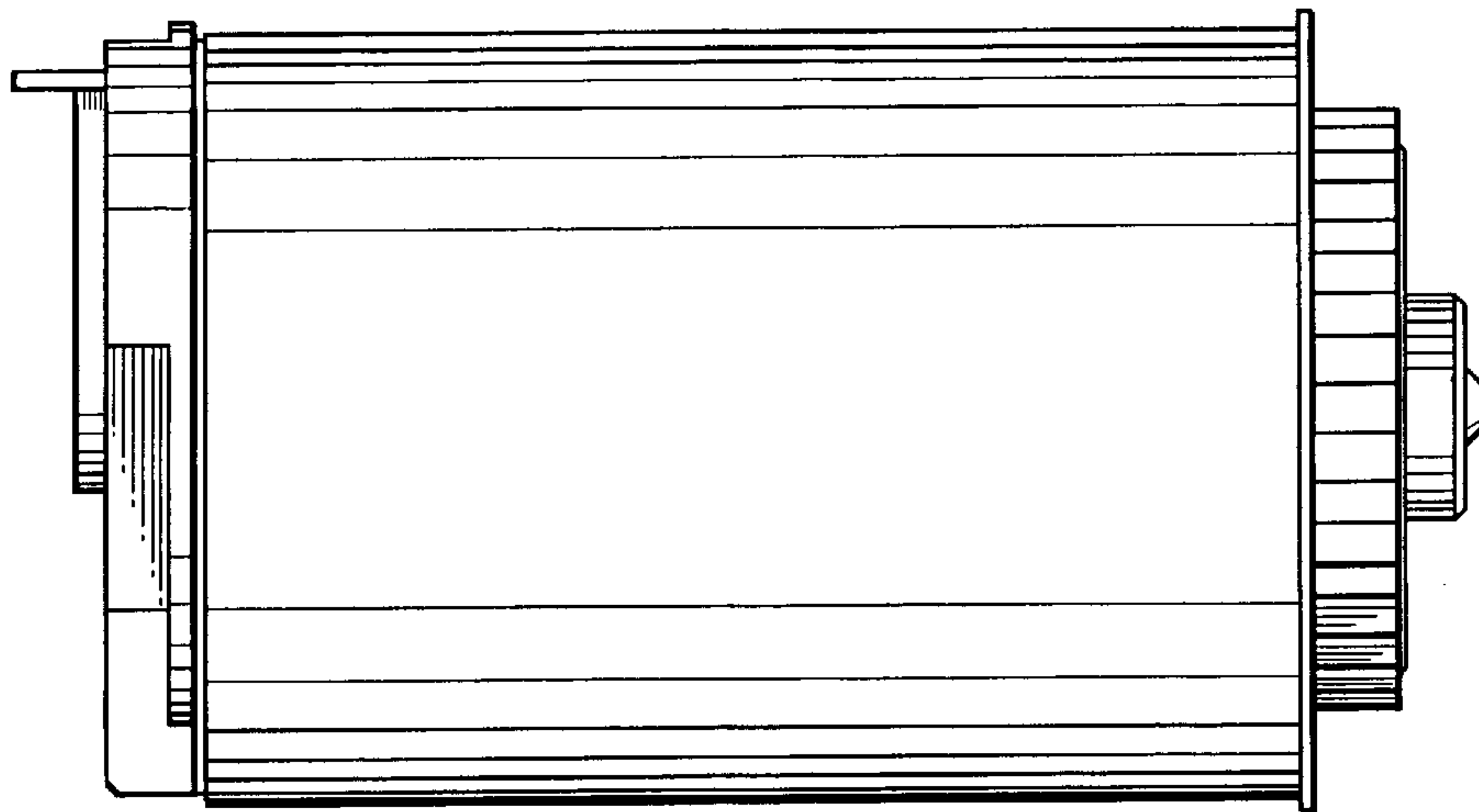


Fig. 4

Fig. 5

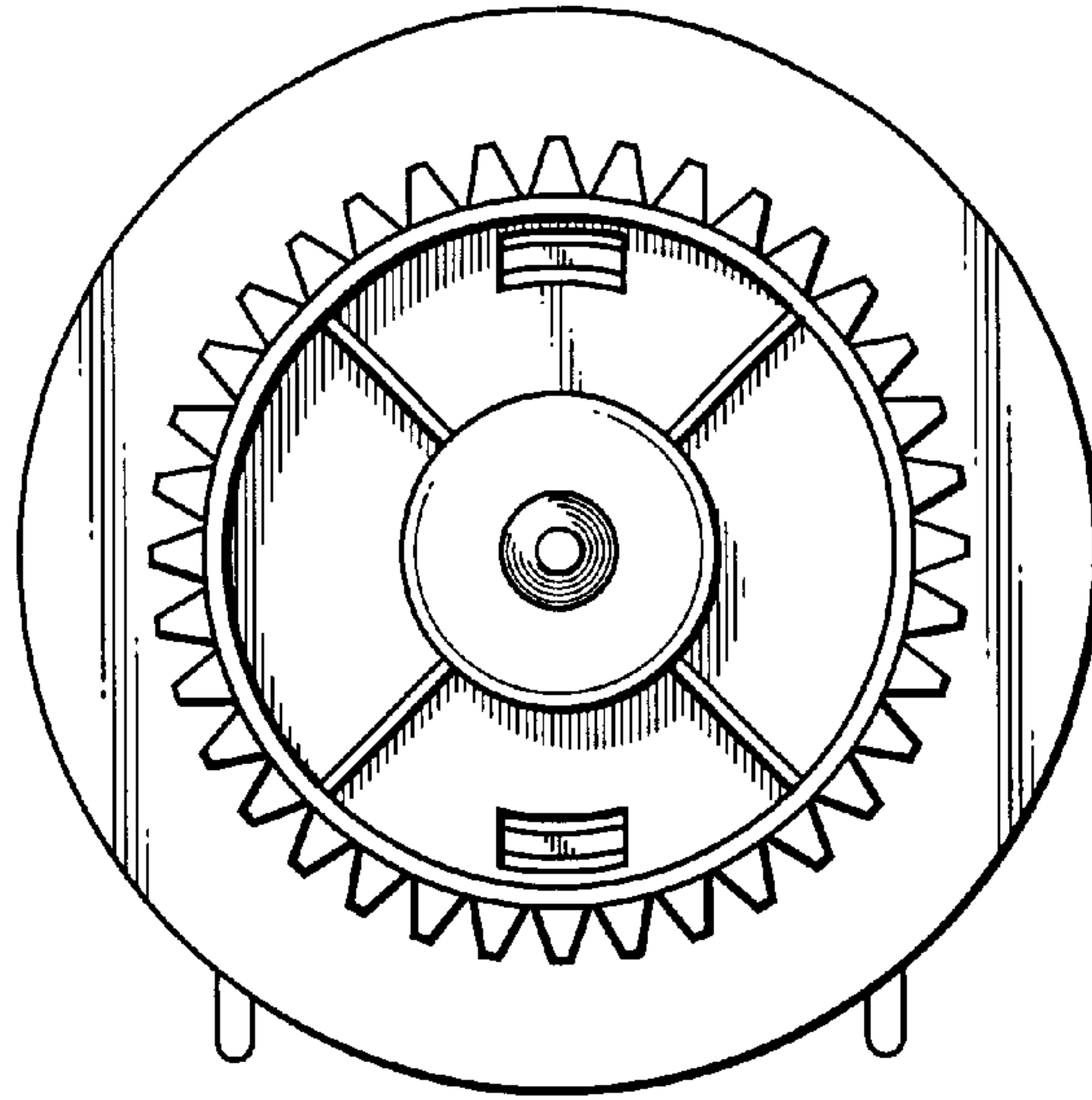
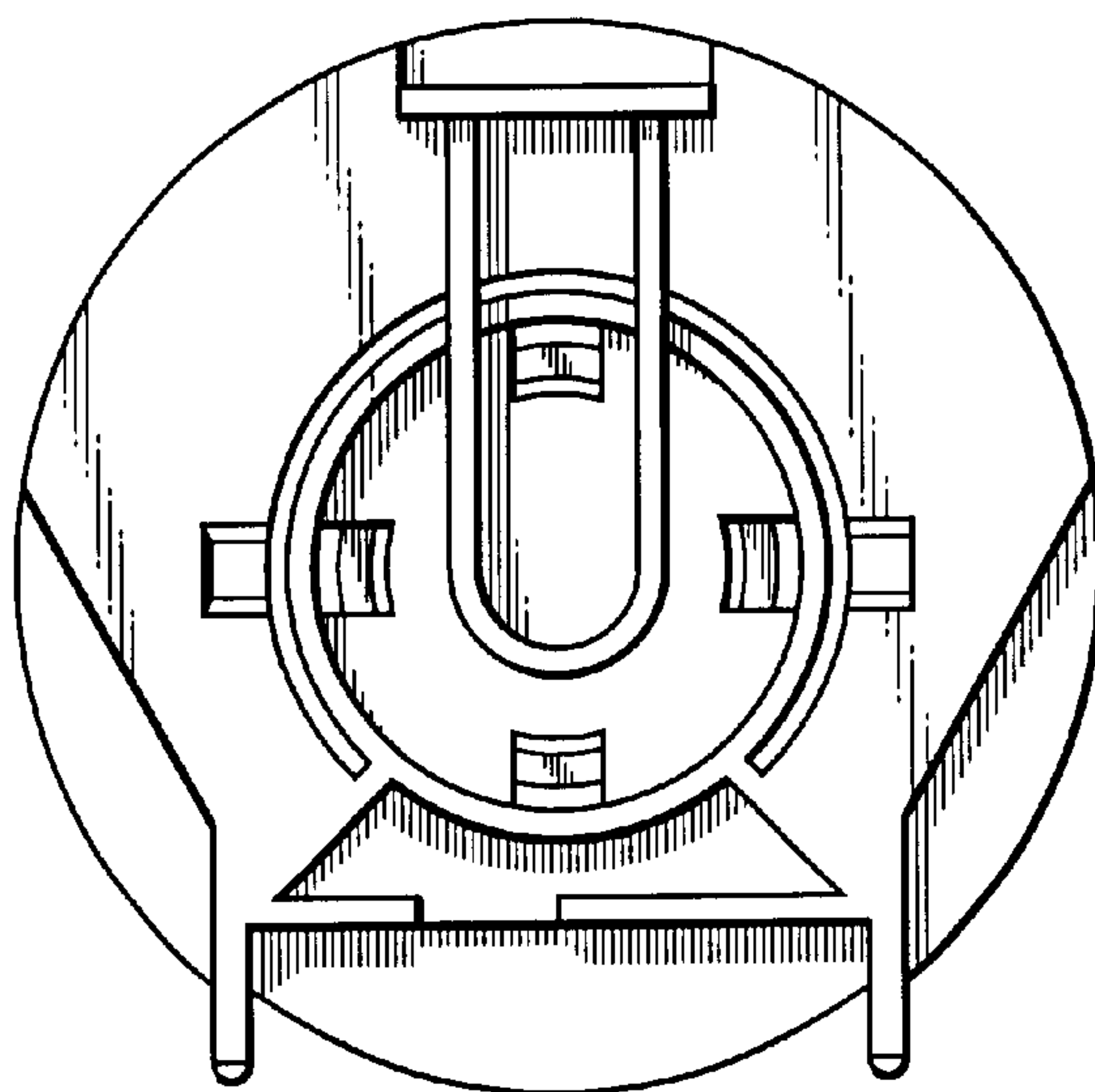


Fig. 6



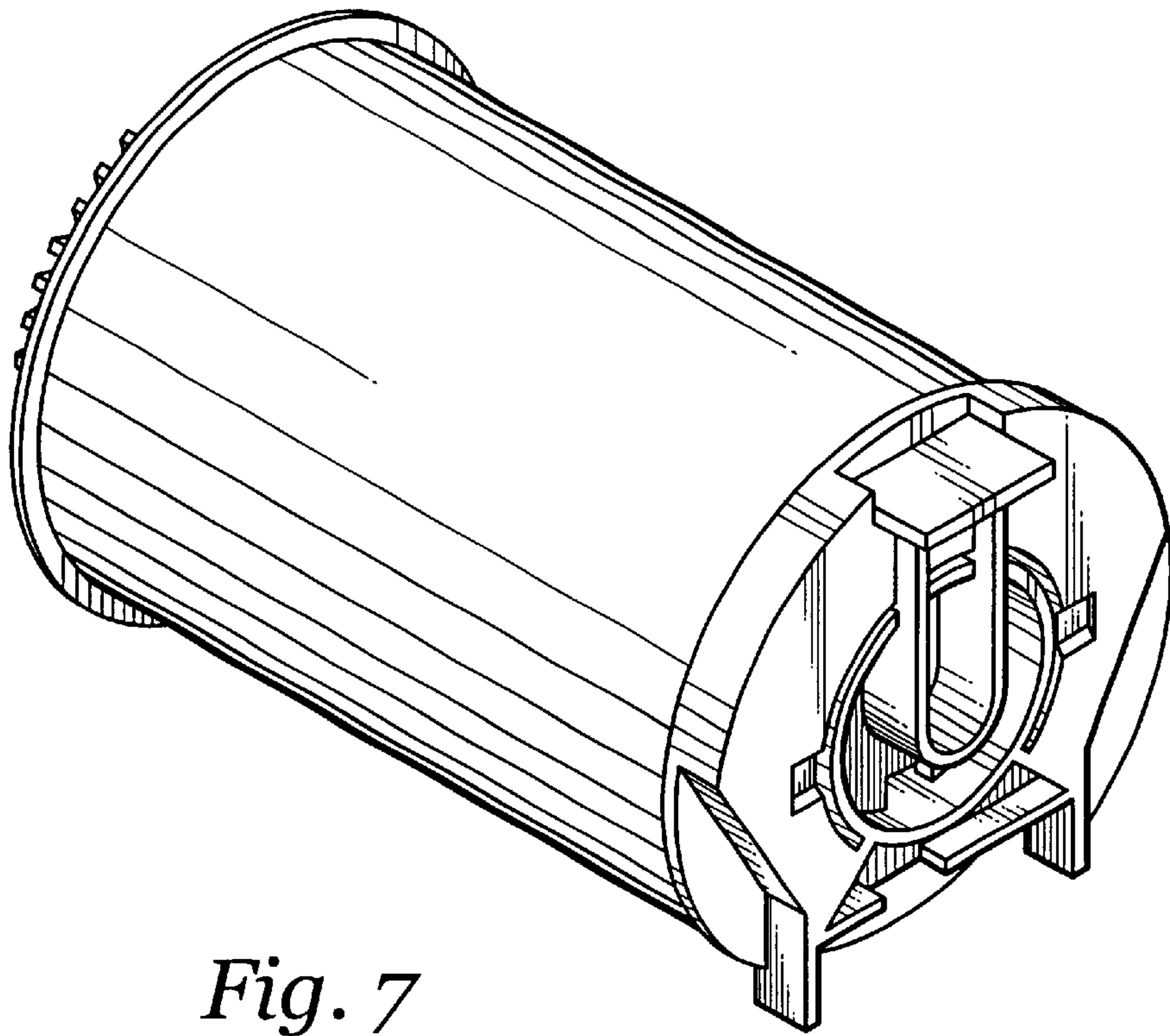


Fig. 7

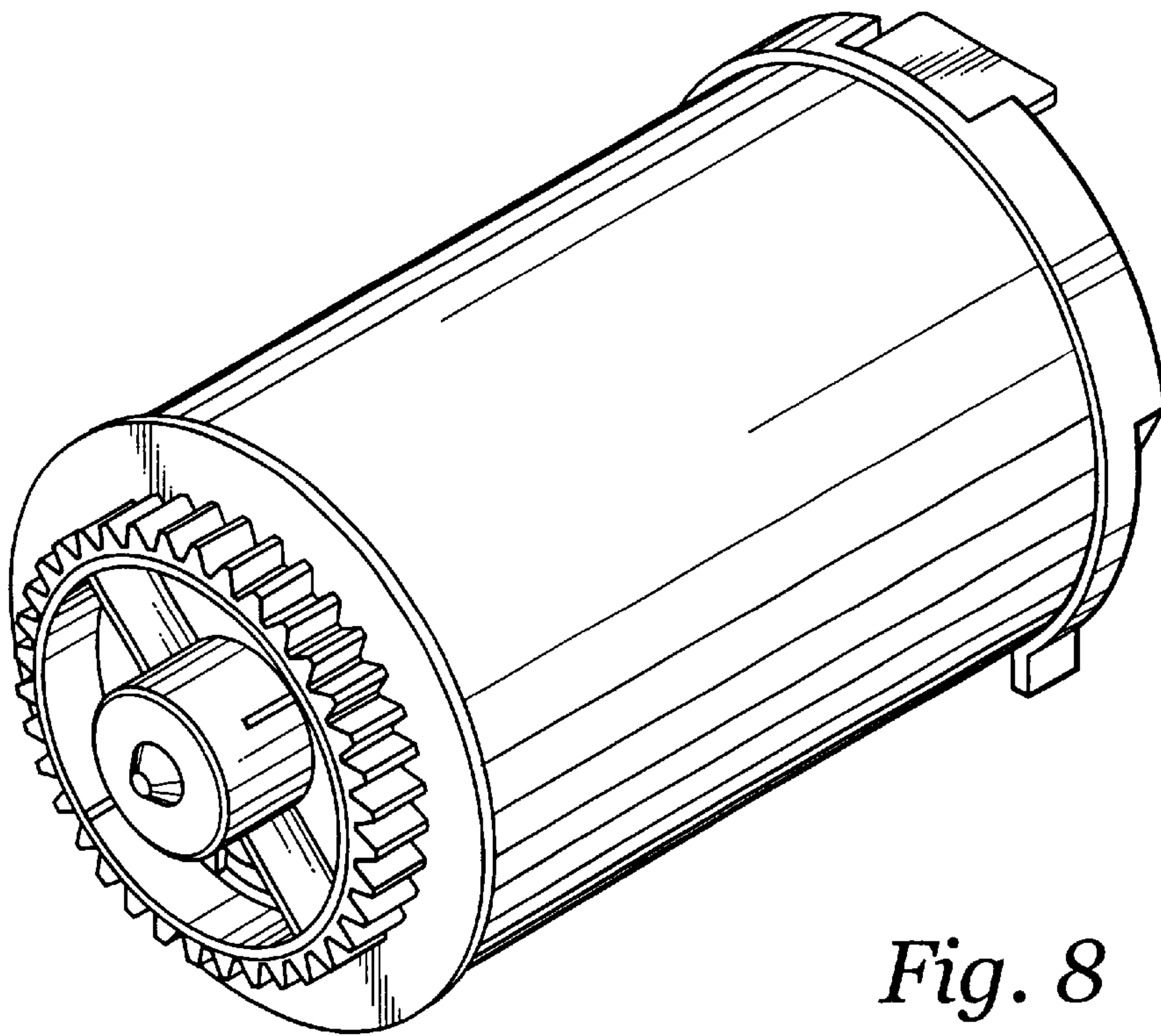


Fig. 8