



US00D466148S

(12) **United States Design Patent**  
**Yang**

(10) **Patent No.:** **US D466,148 S**

(45) **Date of Patent:** **\*\* Nov. 26, 2002**

(54) **MULTI-FUNCTIONAL OFFICE BUSINESS MACHINE**

D441,784 S \* 5/2001 Leong et al. .... D18/55  
D449,851 S \* 10/2001 Katou et al. .... D18/36

(75) Inventor: **Yen-Lin Yang, Feng Yuan (TW)**

\* cited by examiner

(73) Assignee: **Silitek Corporation, Taipei (TW)**

*Primary Examiner*—Caron D. Veynar

(\*\*) Term: **14 Years**

(74) *Attorney, Agent, or Firm*—Rosenberg, Klein & Lee

(21) Appl. No.: **29/151,430**

(57) **CLAIM**

(22) Filed: **Dec. 10, 2001**

The ornamental design for a “multi-functional office business machine”, as shown and described.

(51) **LOC (7) Cl.** ..... **16-03**

**DESCRIPTION**

(52) **U.S. Cl.** ..... **D18/36**

(58) **Field of Search** ..... D18/36-39, 53-56;  
D14/420-431, 462-470; 399/1-7, 16, 151;  
355/400

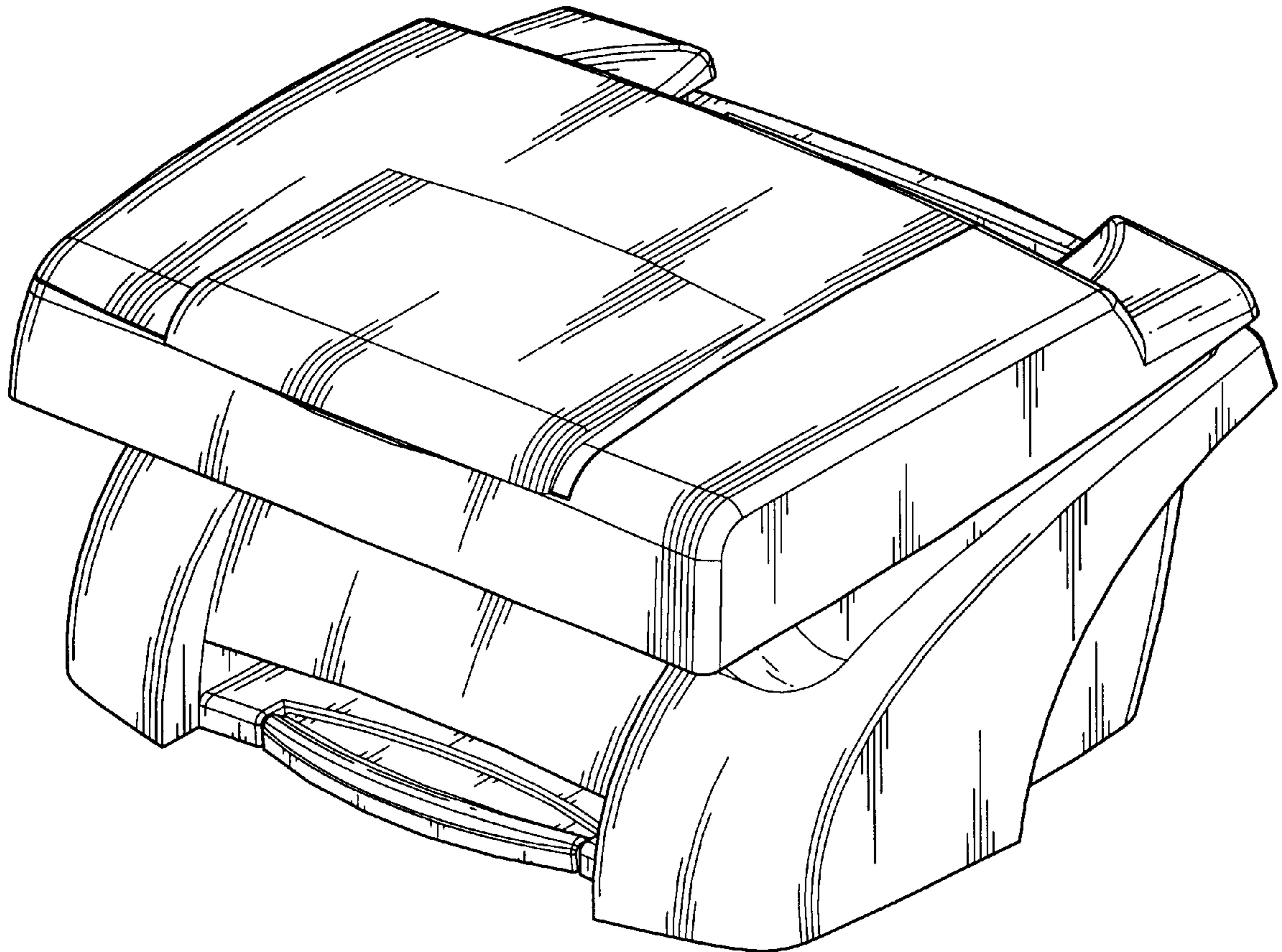
FIG. 1 is the perspective view of “multi-functional office business machine” showing my new design;  
FIG. 2 is the front view thereof;  
FIG. 3 is the rear view thereof;  
FIG. 4 is the left side view thereof;  
FIG. 5 is the right side view thereof;  
FIG. 6 is the top view thereof; and,  
FIG. 7 is the bottom view thereof.

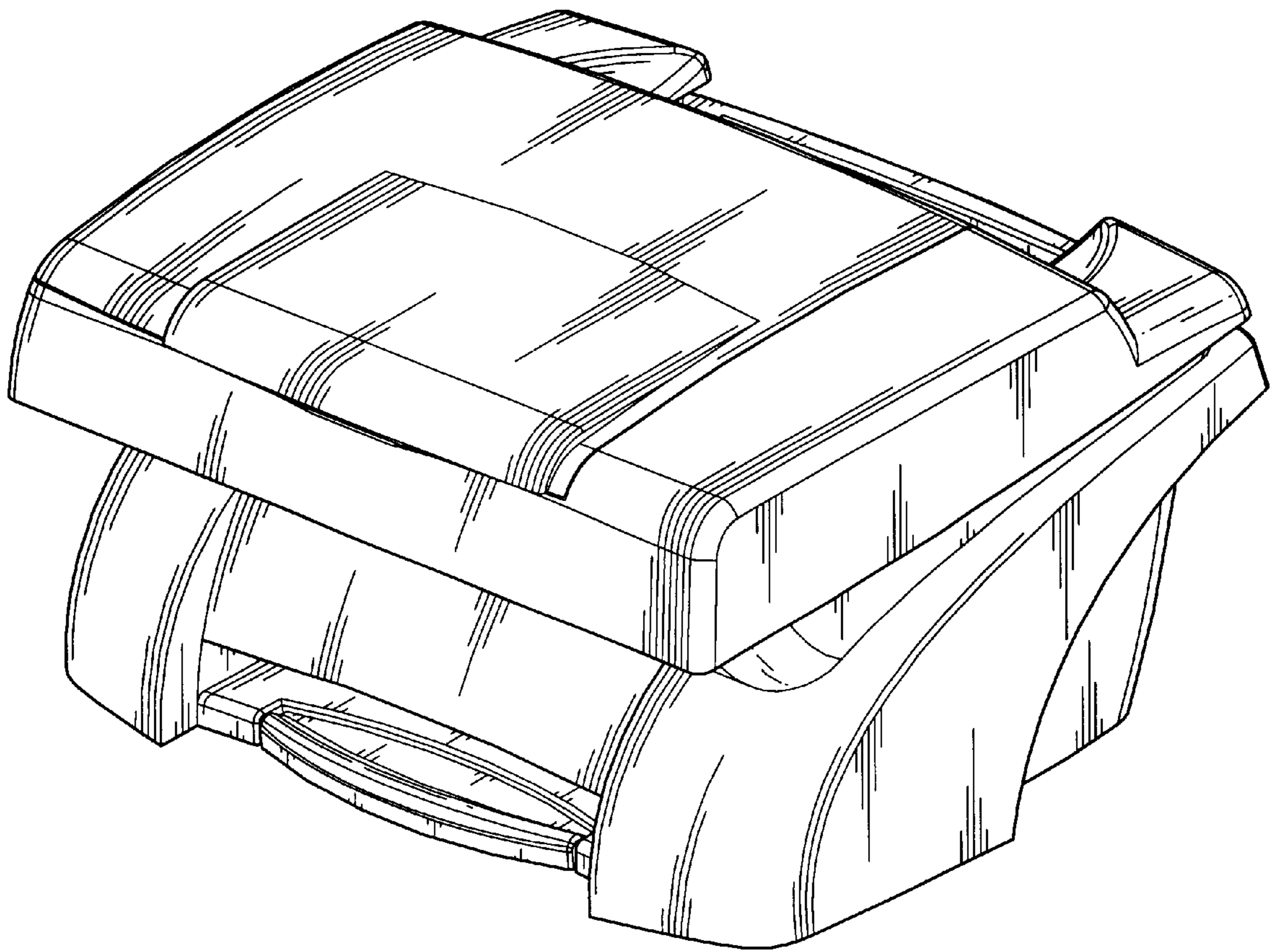
(56) **References Cited**

**U.S. PATENT DOCUMENTS**

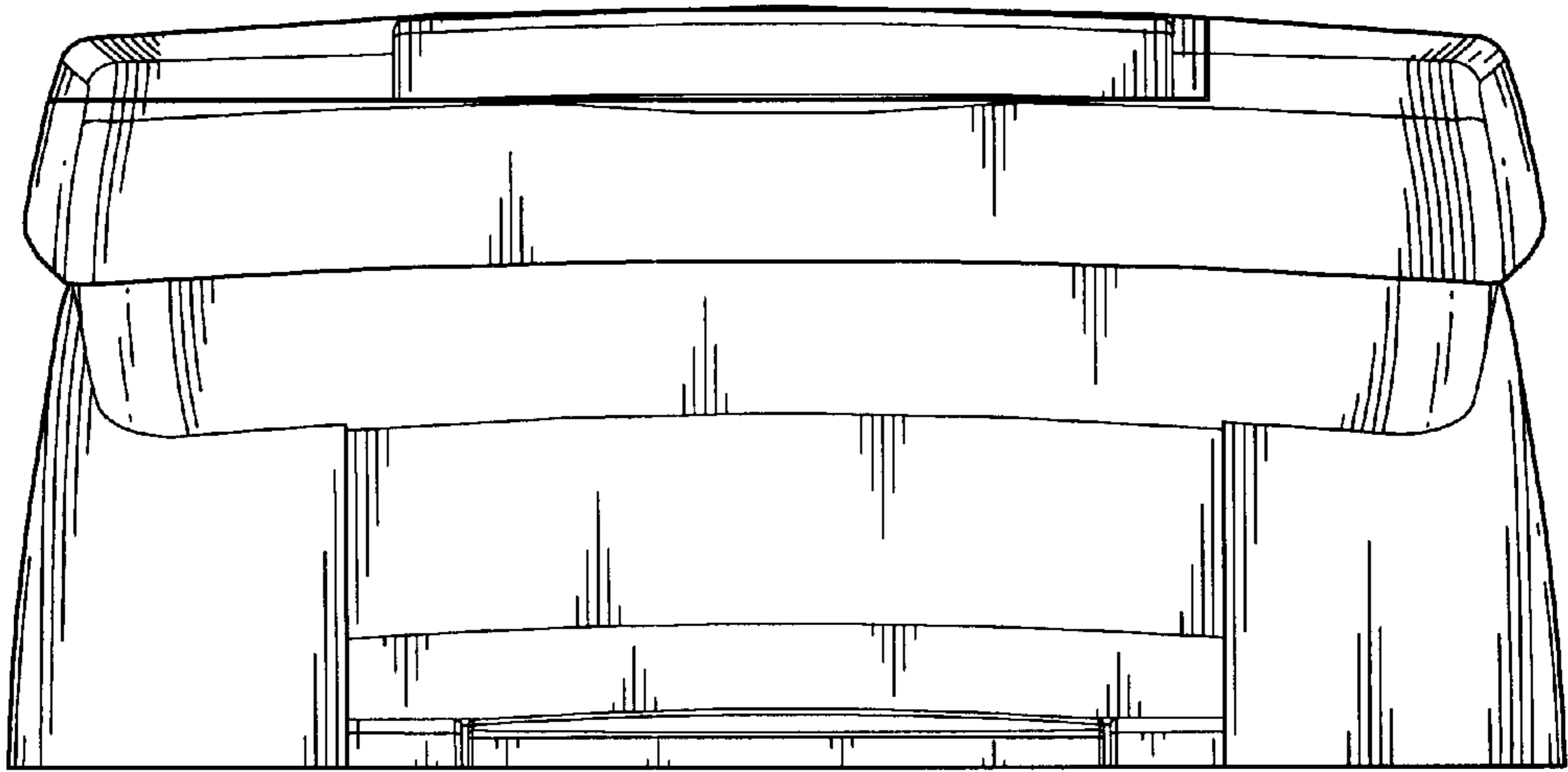
D434,434 S \* 11/2000 Short et al. .... D18/36  
D437,877 S \* 2/2001 Chen ..... D18/36

**1 Claim, 4 Drawing Sheets**

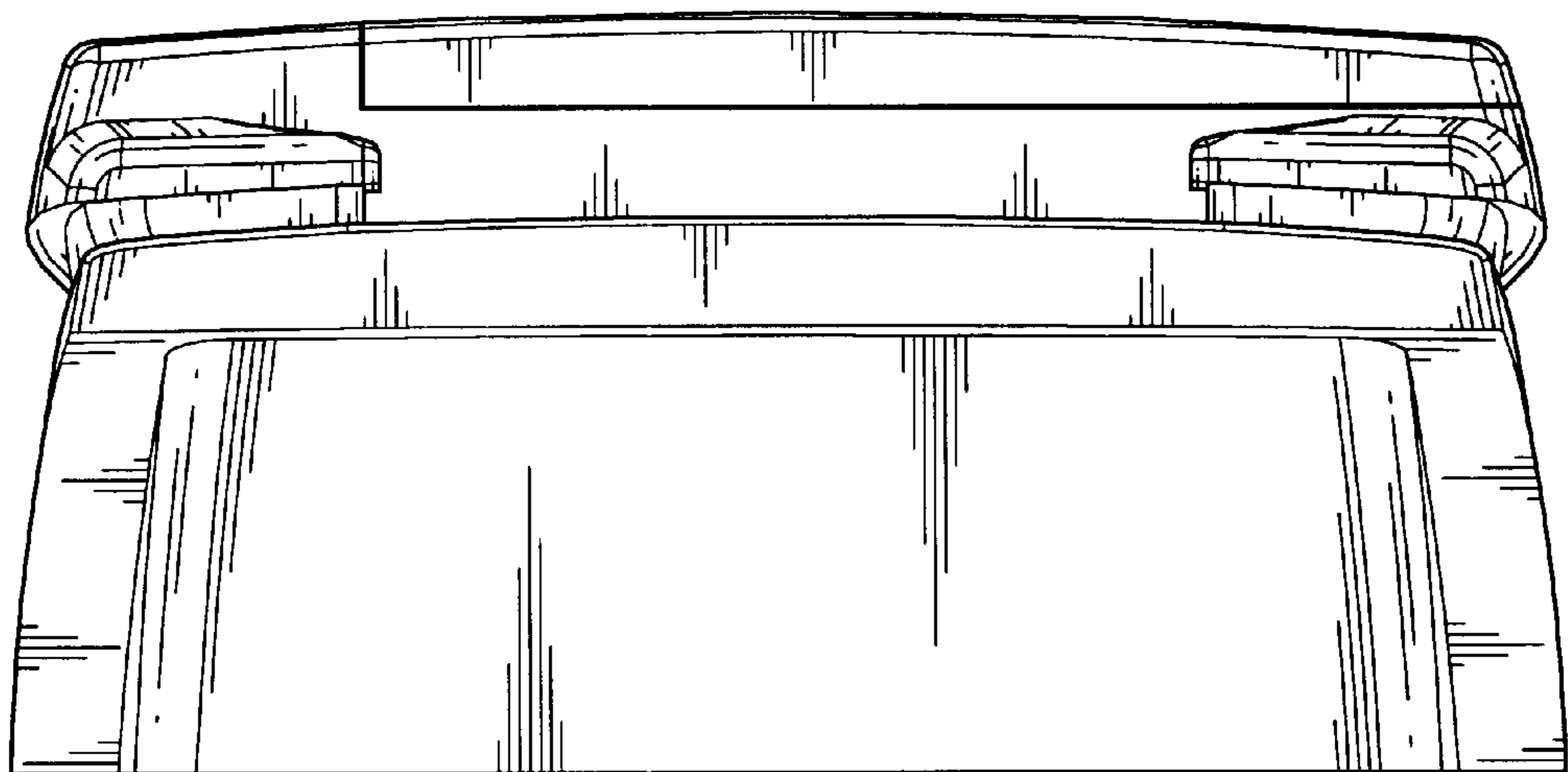




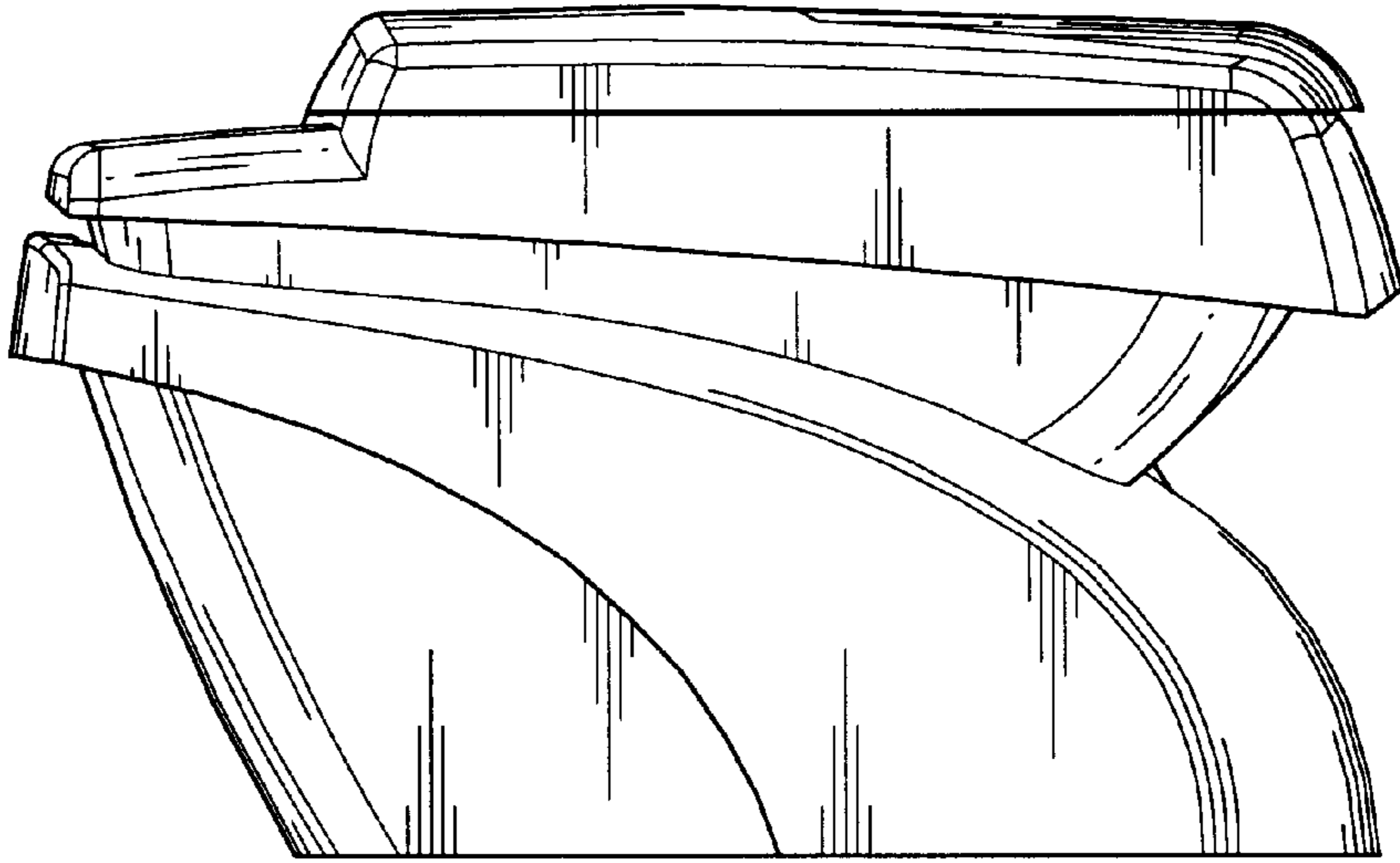
**FIG. 1**



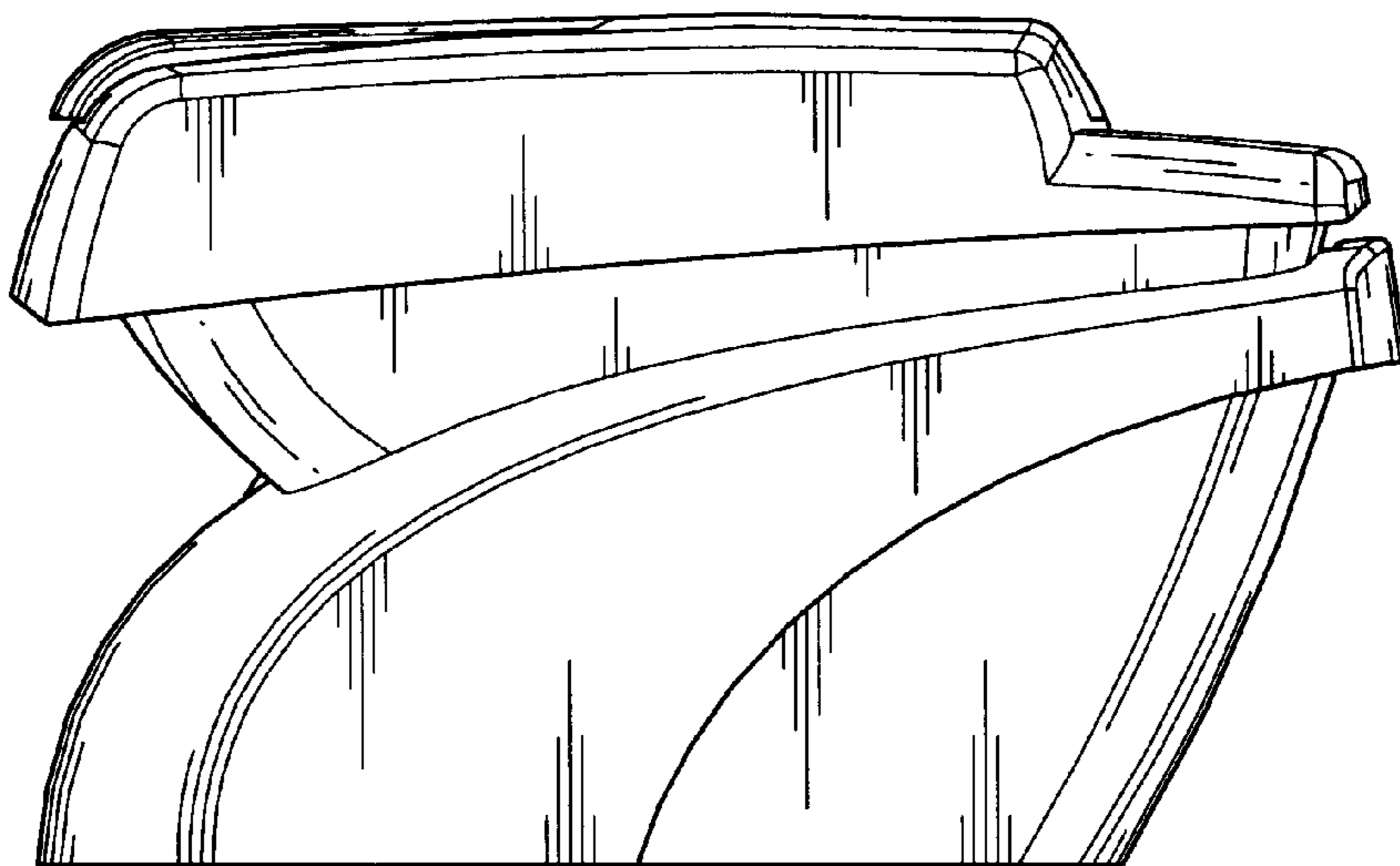
**FIG. 2**



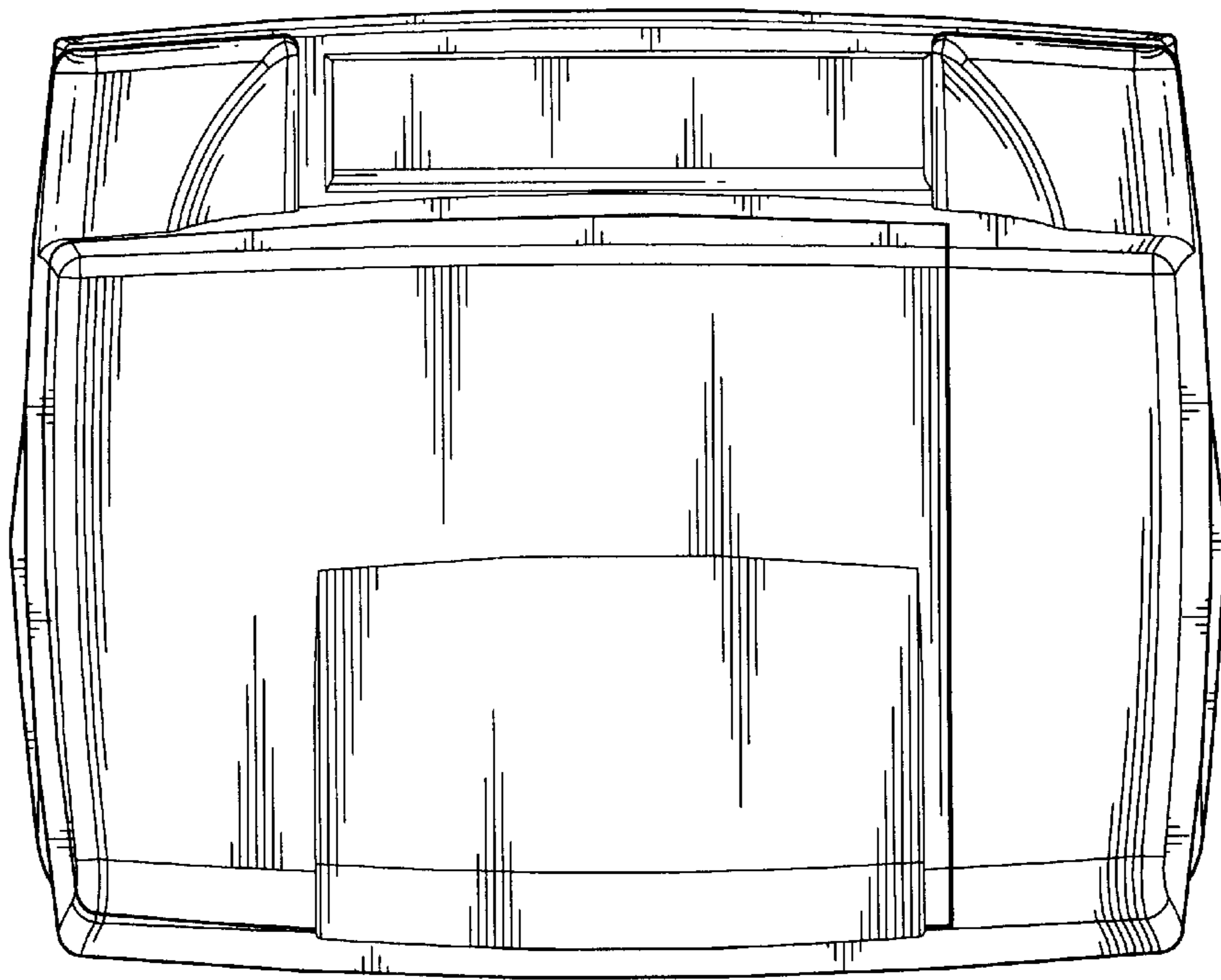
**FIG. 3**



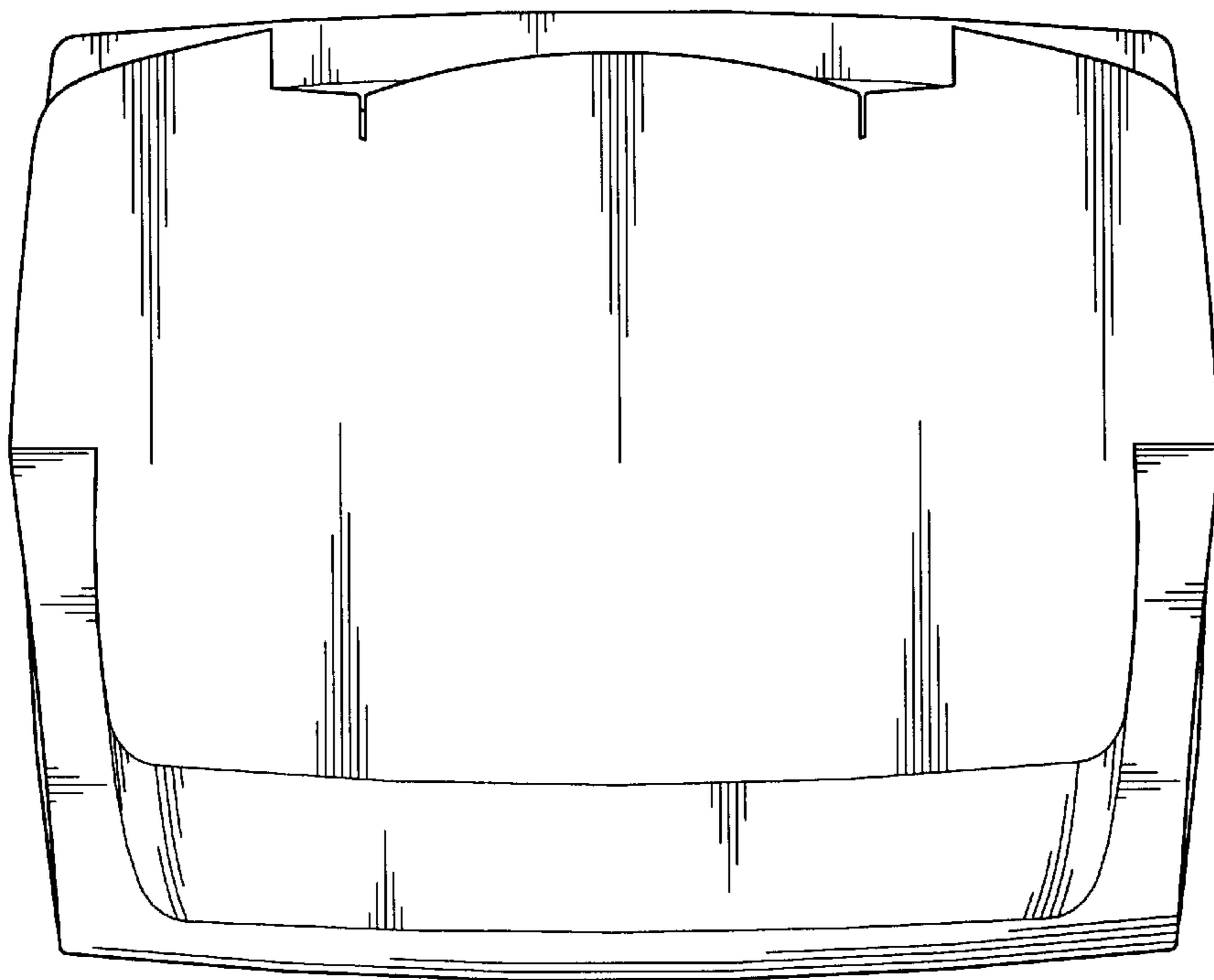
**FIG. 4**



**FIG. 5**



**FIG. 6**



**FIG. 7**