



US00D466146S

(12) **United States Design Patent**
Green

(10) **Patent No.:** **US D466,146 S**

(45) **Date of Patent:** **** Nov. 26, 2002**

(54) **DRUM STAND**

(76) **Inventor:** **Wade A. Green**, 1027 58th Ave.,
Capitol Heights, MD (US) 20743

(**) **Term:** **14 Years**

(21) **Appl. No.:** **29/149,059**

(22) **Filed:** **Oct. 2, 2001**

Related U.S. Application Data

(63) Continuation-in-part of application No. 29/118,984, filed on
Feb. 22, 2000, now Pat. No. Des. 448,793.

(51) **LOC (7) Cl.** **17-04**

(52) **U.S. Cl.** **D17/22**

(58) **Field of Search** D17/22, 99; D21/405;
D6/491; 84/327, 329, 411 R, 421; 248/176.1,
177.1

(56) **References Cited**

U.S. PATENT DOCUMENTS

D205,474 S * 8/1966 Farnlund D17/22

3,264,926 A	*	8/1966	Belli	84/411 R
4,256,006 A		3/1981	Widener	84/411 R
D278,633 S		4/1985	DeBarbrie	D17/22
D295,053 S		4/1988	Diaz	D17/22
D303,331 S	*	9/1989	Diaz	D6/491
D327,901 S		7/1992	Chen	D17/22
D352,951 S	*	11/1994	Choate	D17/22
D448,793 S		10/2001	Green	D17/22

* cited by examiner

Primary Examiner—Adir Aronovich

(74) *Attorney, Agent, or Firm*—Vickers, Daniels & Young

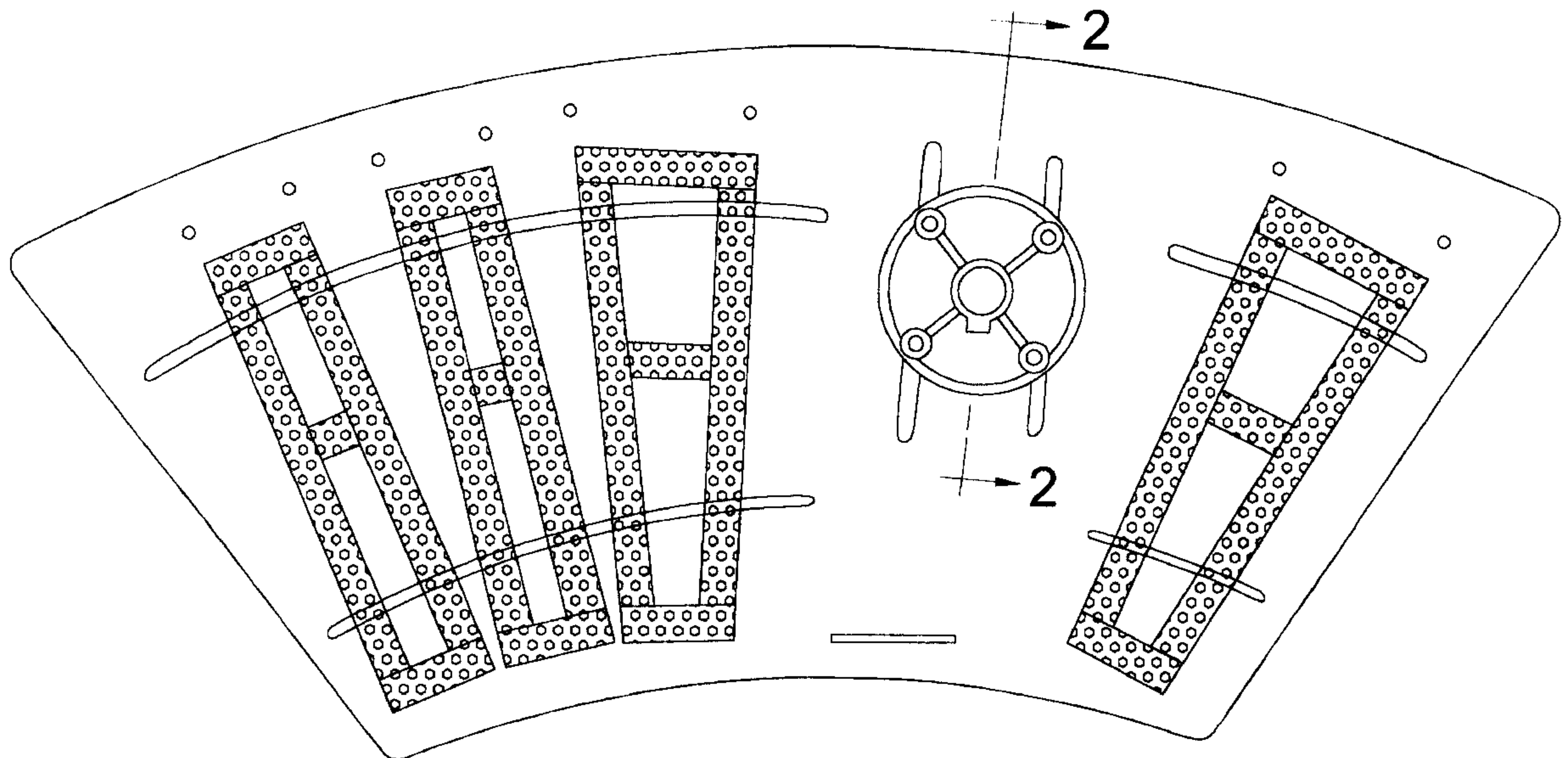
(57) **CLAIM**

The ornamental design for a drum stand, as shown and described.

DESCRIPTION

FIG. 1 is a top plan view showing my new design; and,
FIG. 2 is a cross-sectional view taken along line 2—2 of
FIG. 1.

1 Claim, 2 Drawing Sheets



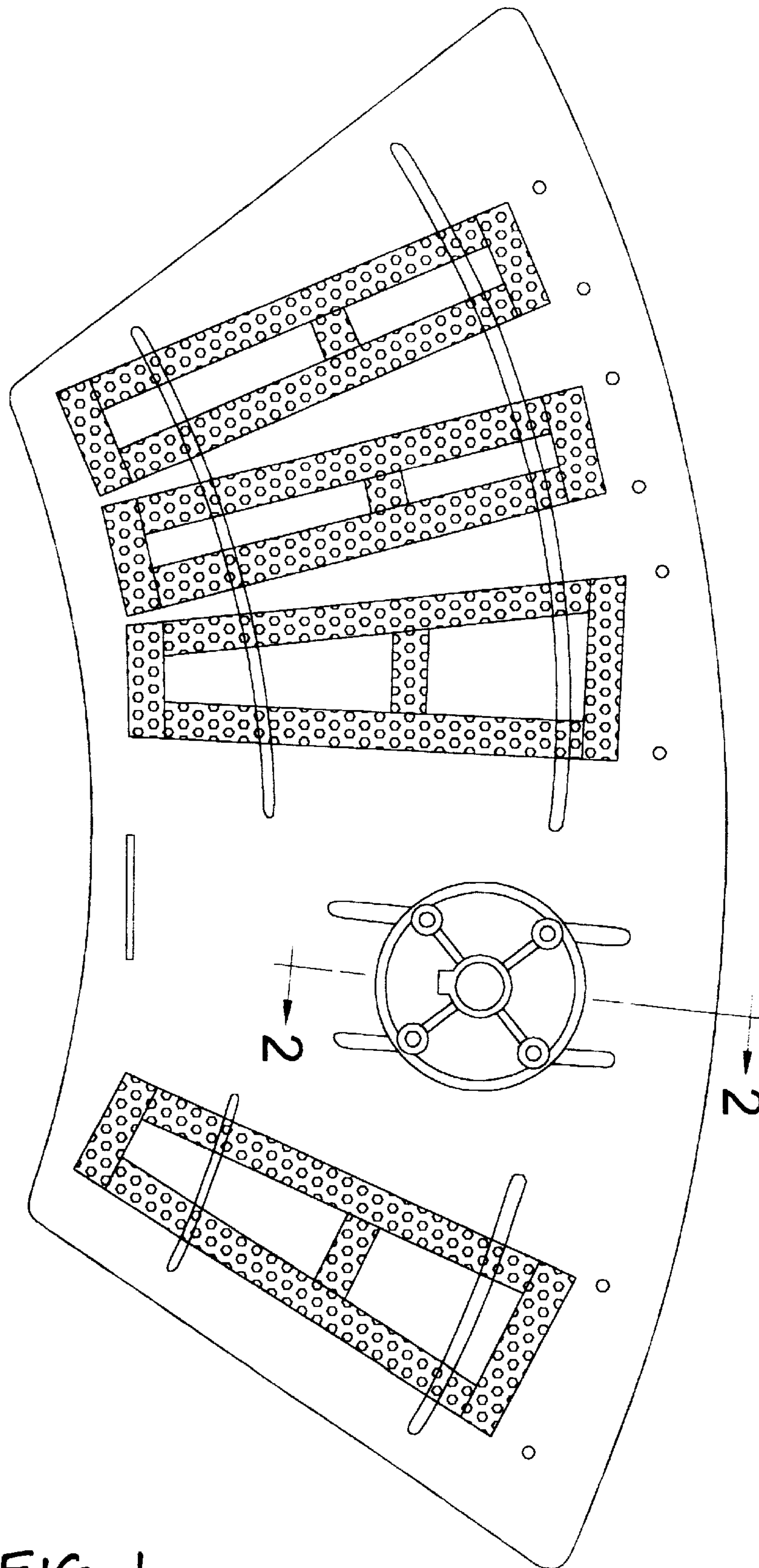


FIG. 1

FIG. 2

