



US00D466143S

(12) **United States Design Patent**  
**Torikai**

(10) **Patent No.:** **US D466,143 S**

(45) **Date of Patent:** **\*\* Nov. 26, 2002**

(54) **VIDEO PROJECTOR**

(75) Inventor: **Hiroshi Torikai**, Tokorozawa (JP)

(73) Assignee: **Plus Corporation**, Tokyo (JP)

(\*\*) Term: **14 Years**

(21) Appl. No.: **29/143,313**

(22) Filed: **Jun. 12, 2001**

(30) **Foreign Application Priority Data**

Dec. 25, 2000 (JP) ..... 2000-038272

(51) **LOC (7) Cl.** ..... **16-02**

(52) **U.S. Cl.** ..... **D16/230**

(58) **Field of Search** ..... D16/205, 208,  
D16/221, 225, 230, 231, 234; D21/514;  
353/115, 119, 122

(56) **References Cited**

**U.S. PATENT DOCUMENTS**

- 3,269,793 A \* 8/1966 White, Jr. .... D16/230
- D356,103 S \* 3/1995 Saeki et al. .... D16/221
- D387,796 S \* 12/1997 Karasik ..... D16/314
- D414,794 S \* 10/1999 Isono ..... D16/230

- D437,337 S \* 2/2001 Kawasaki et al. .... D16/230
- D437,607 S \* 2/2001 Takahashi ..... D16/230

\* cited by examiner

*Primary Examiner*—Adir Aronovich

(74) *Attorney, Agent, or Firm*—Darby & Darby

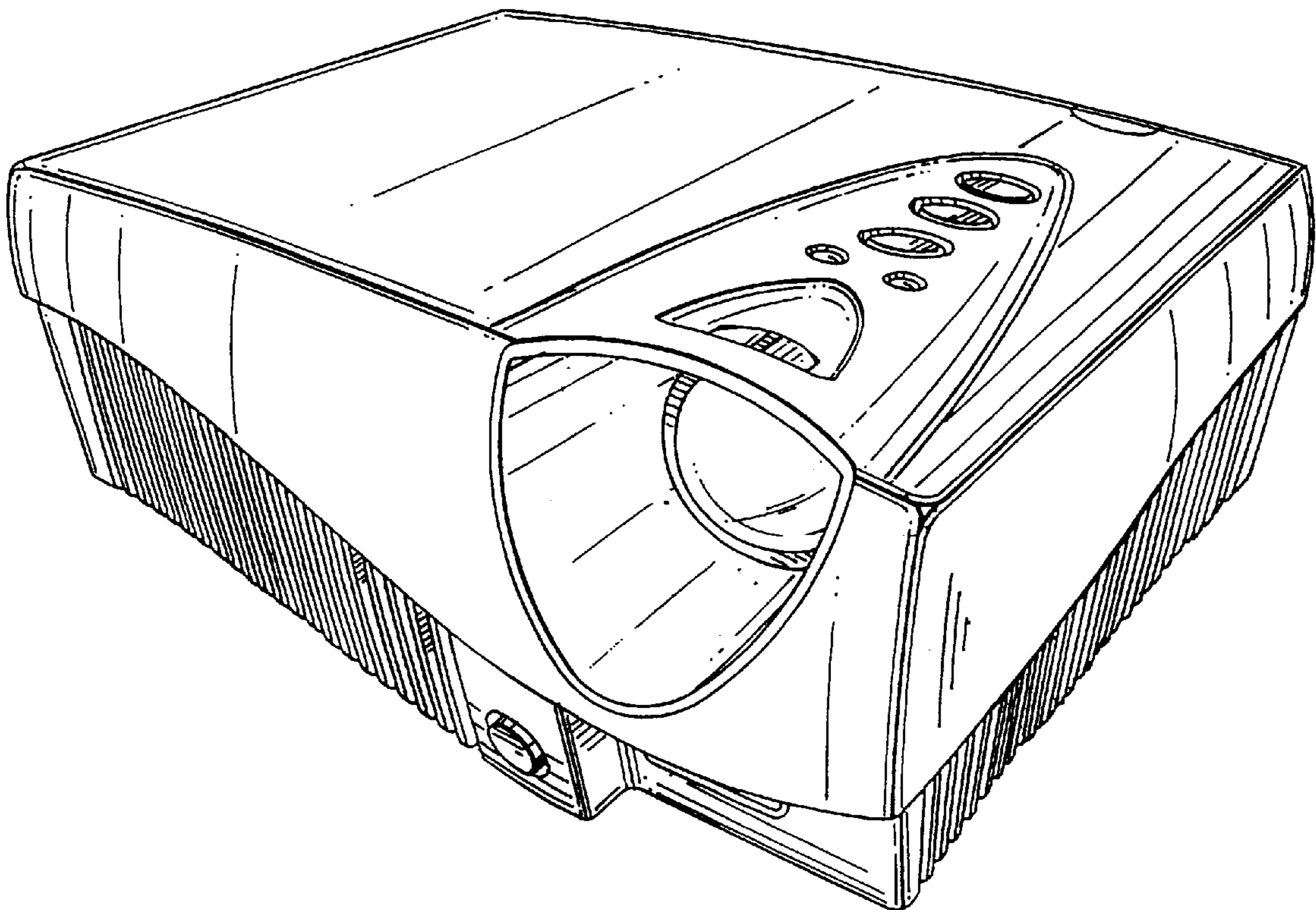
(57) **CLAIM**

The ornamental design for a video projector, as shown and described.

**DESCRIPTION**

FIG. 1 is a front elevational view showing my new design for video projector;  
 FIG. 2 is a rear elevational view thereof;  
 FIG. 3 is a right side elevational view thereof;  
 FIG. 4 is a left side elevational view thereof;  
 FIG. 5 is a top plan view thereof;  
 FIG. 6 is a bottom plan view thereof;  
 FIG. 7 is a partial cross sectional view taken along the lines 7—7 of FIG. 5;  
 FIG. 8 is a cross sectional view taken along the lines 8—8 FIG. 5; and,  
 FIG. 9 is a perspective view thereof as viewed from the front.

**1 Claim, 3 Drawing Sheets**



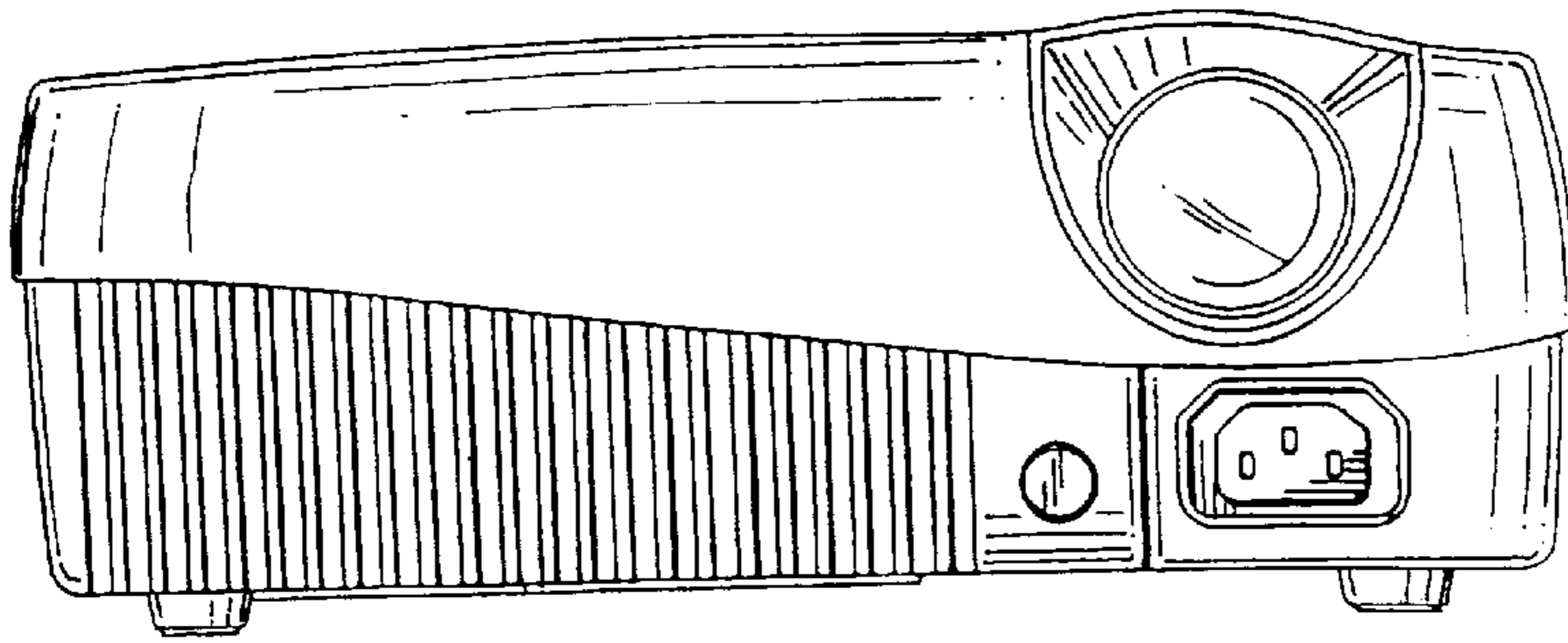


FIG. 1

FIG. 2

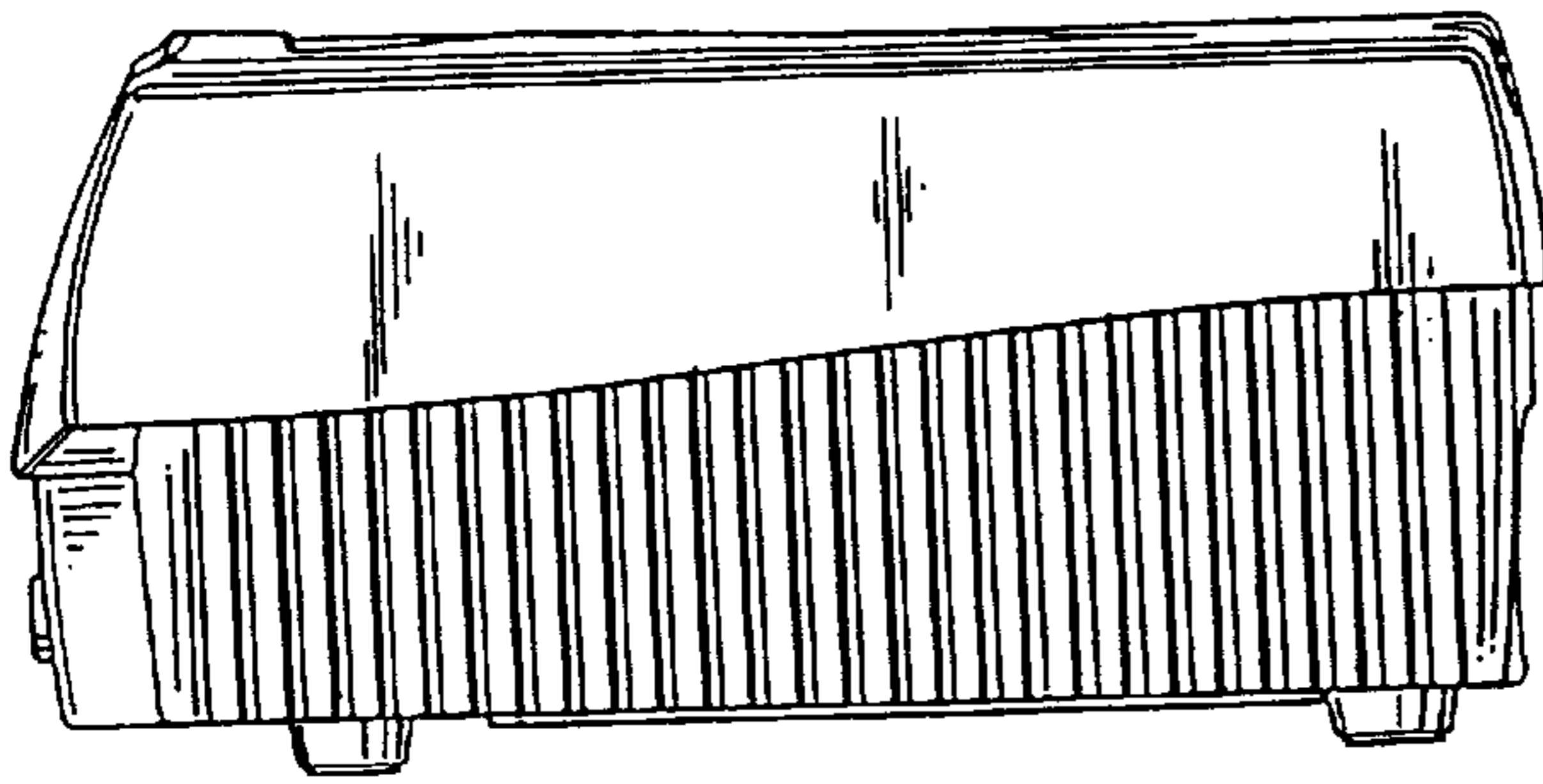
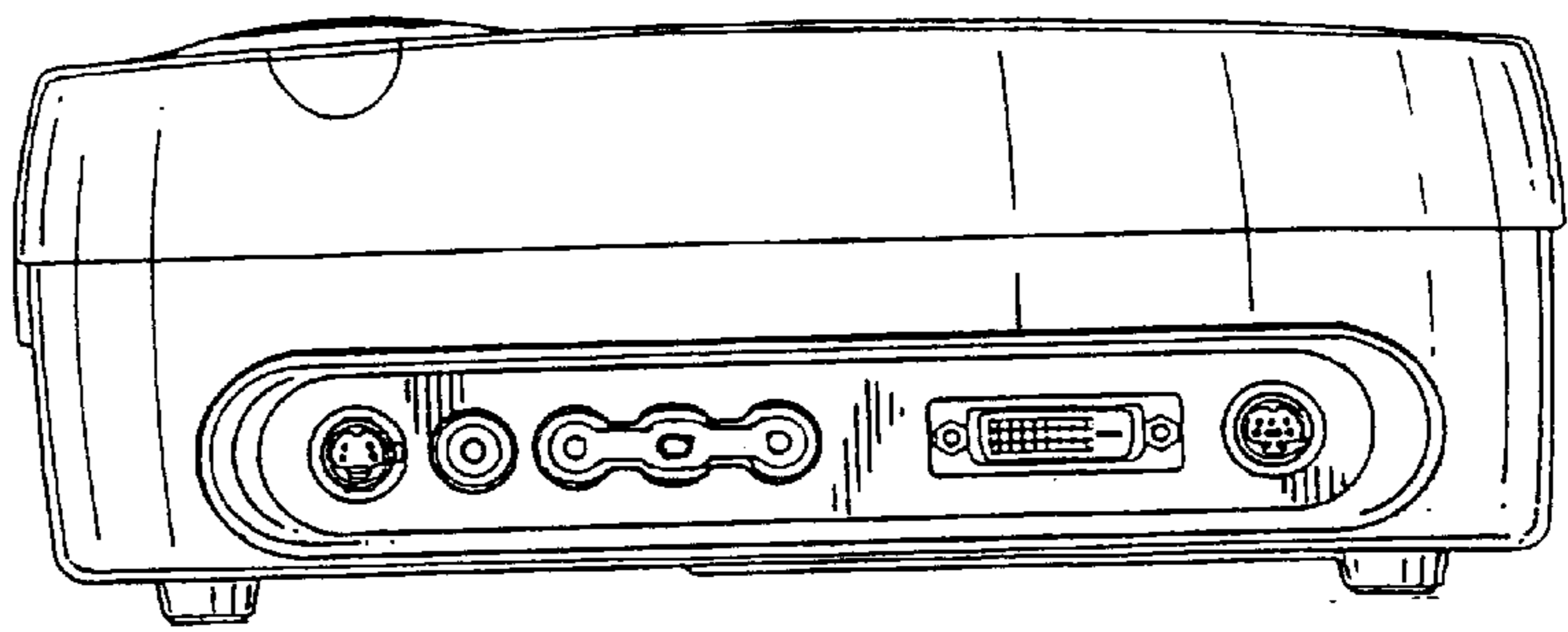


FIG. 3

FIG. 4

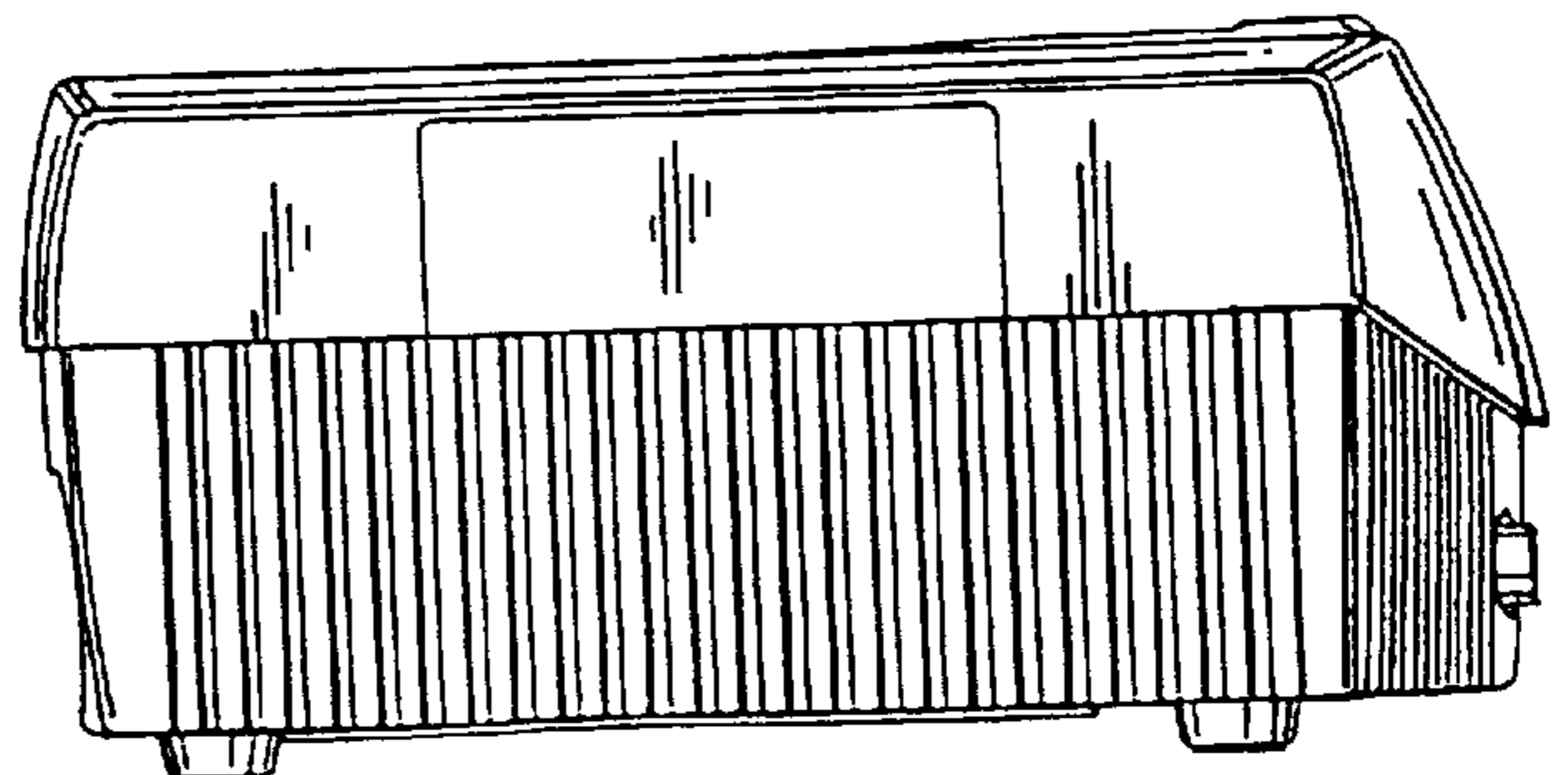


FIG. 5

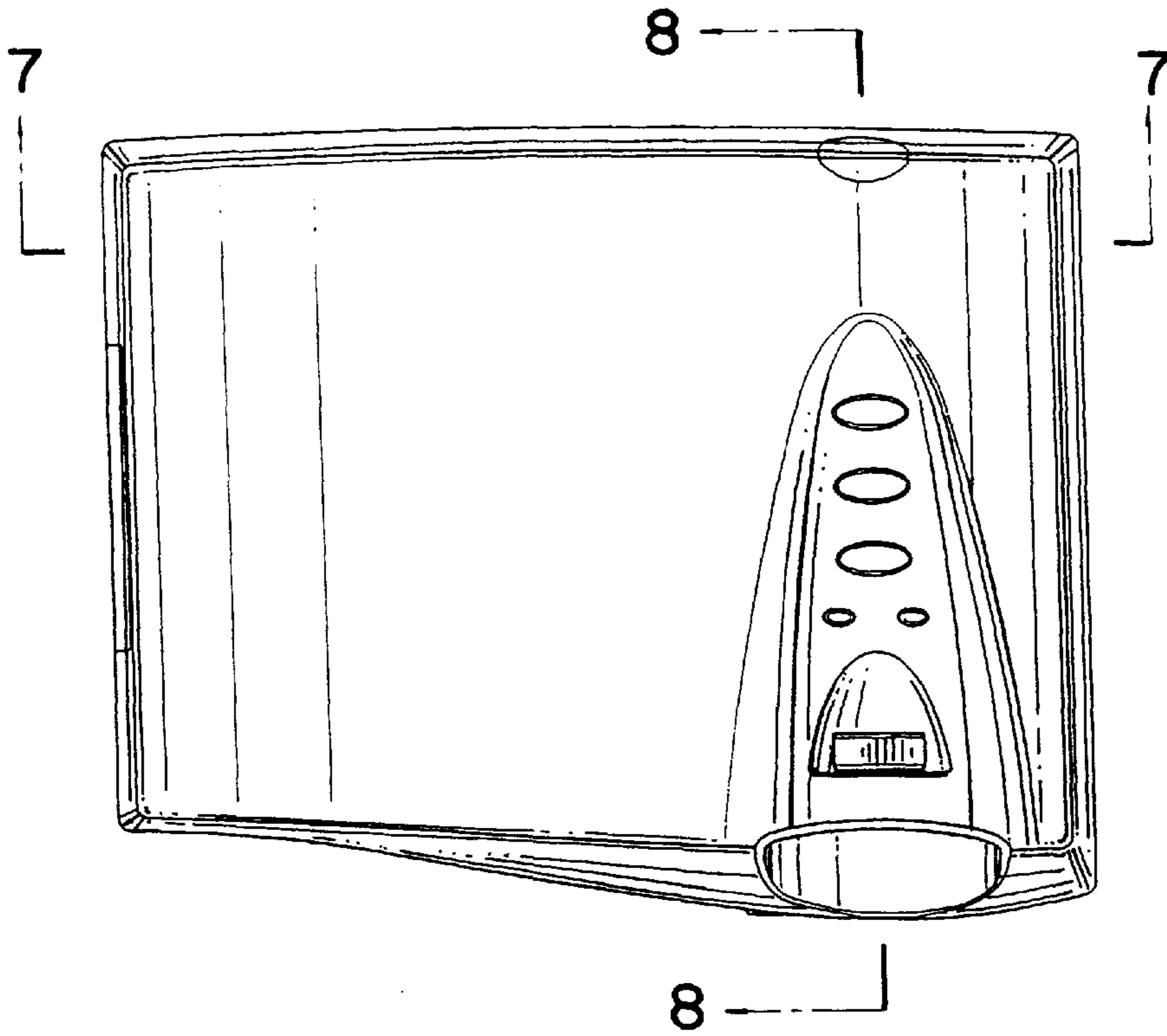


FIG. 6

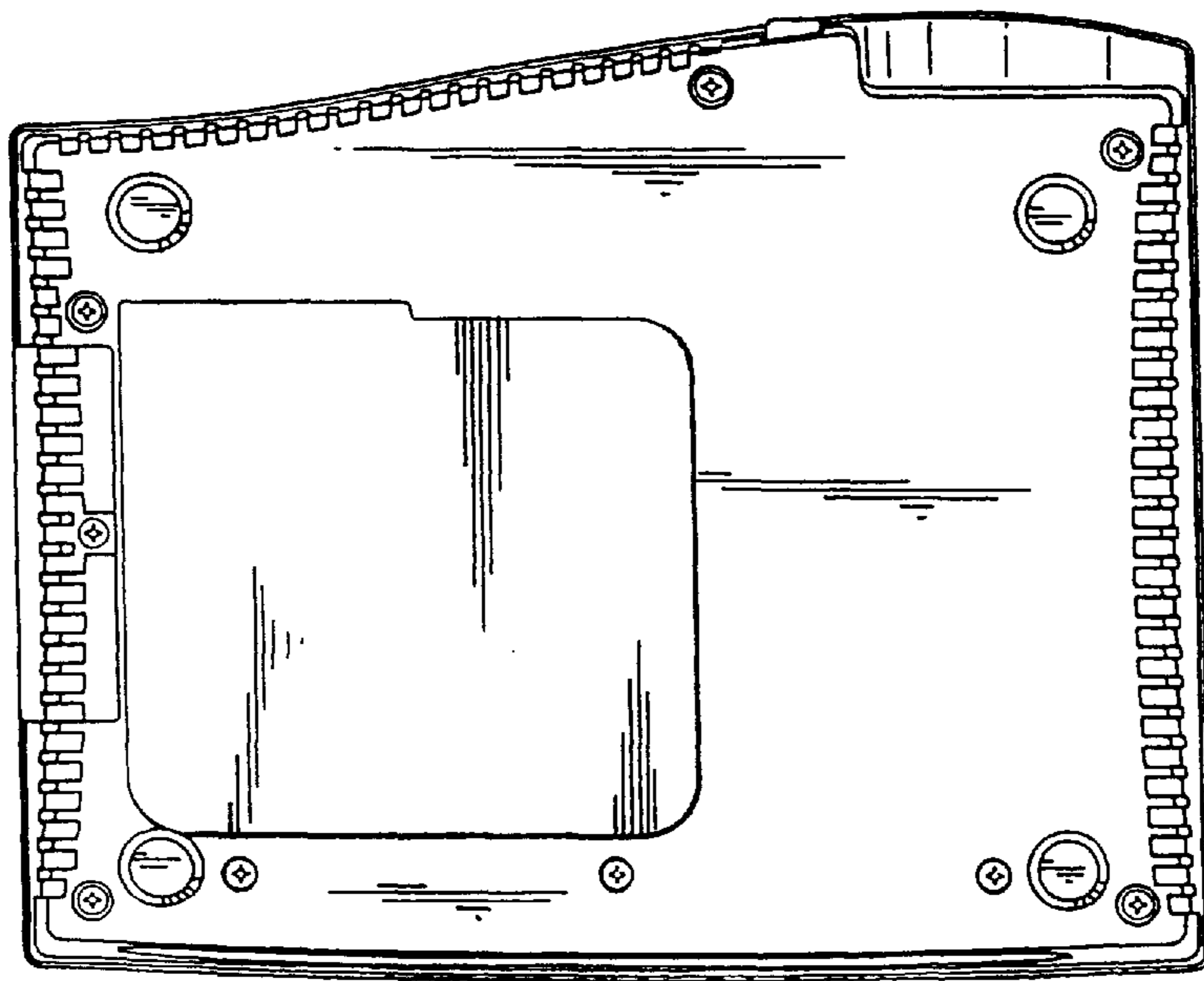




FIG. 7

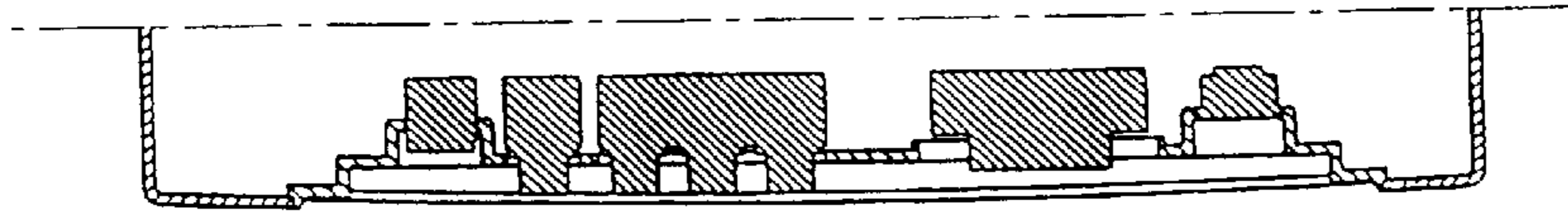


FIG. 8

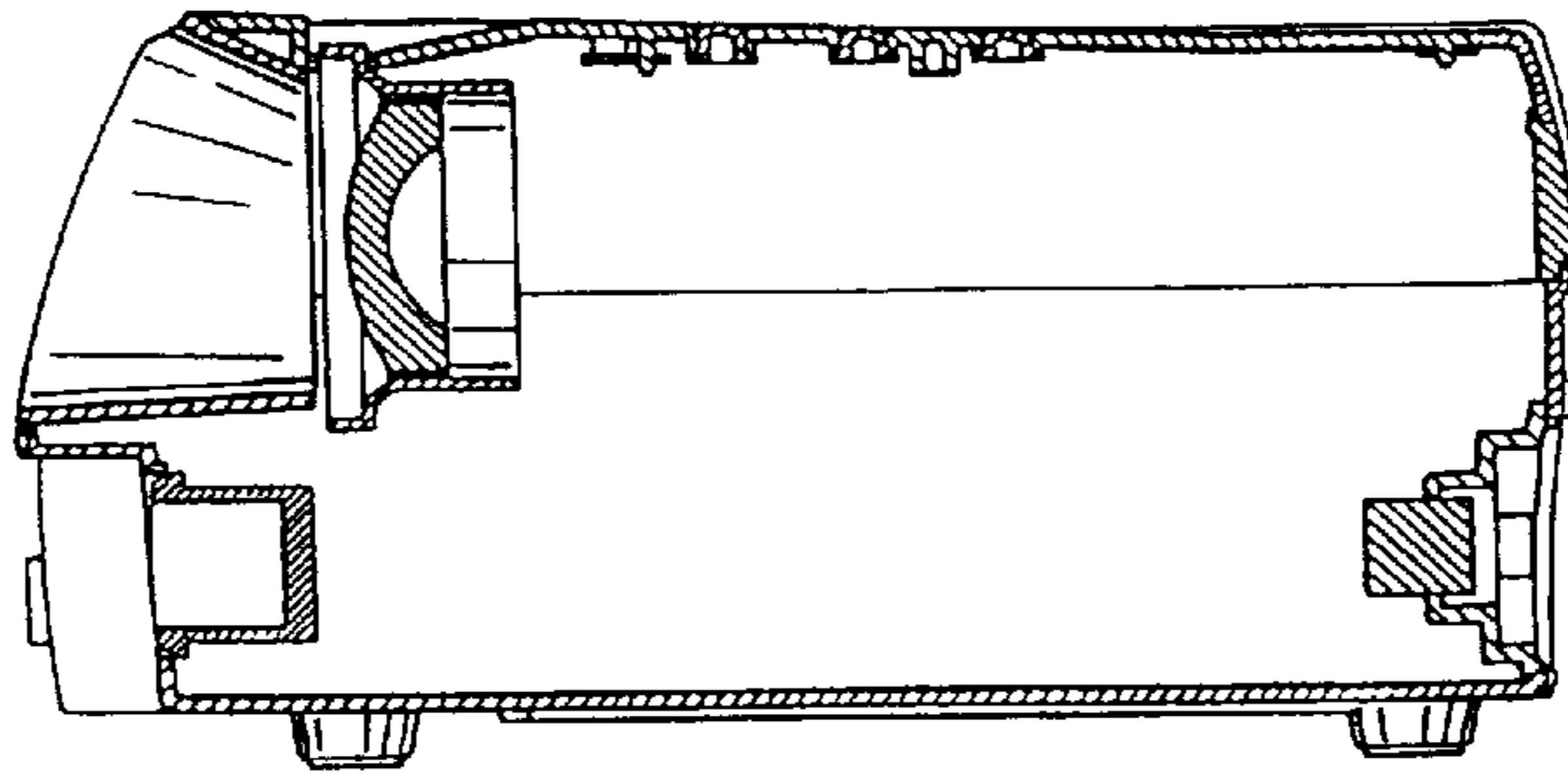


FIG. 9

