



US00D466142S

(12) **United States Design Patent**
Lin et al.

(10) **Patent No.:** **US D466,142 S**

(45) **Date of Patent:** **** Nov. 26, 2002**

(54) **DIGITAL CAMERA**

(75) Inventors: **Yi-Jen Lin**, TaiChung (TW);
Hao-Sheng Lo, Taipei (TW)

(73) Assignee: **Aiptek International Inc.** (TW)

(**) Term: **14 Years**

(21) Appl. No.: **29/156,352**

(22) Filed: **Mar. 1, 2002**

(51) **LOC (7) Cl.** **16-01**

(52) **U.S. Cl.** **D16/202; D16/218**

(58) **Field of Search** **D16/200-206,**
D16/208, 209, 218; 348/373-376; 396/6,
535, 536-541

(56) **References Cited**

U.S. PATENT DOCUMENTS

D187,503 S	*	3/1960	Akahane	D16/205
D445,441 S	*	7/2001	Liu	D16/202
D448,785 S	*	10/2001	Chou	D16/202
D456,830 S	*	5/2002	Chen	D16/202
D458,290 S	*	6/2002	Tu et al.	D16/202

OTHER PUBLICATIONS

Global sources website globalsources.com Jan. 2, 2001
SG-DC2616 300K Pixels Digital still camera.*

* cited by examiner

Primary Examiner—Adir Aronovich

(74) *Attorney, Agent, or Firm*—Troxell Law Office PLLC

(57) **CLAIM**

The ornamental design for a digital camera, as shown and described.

DESCRIPTION

FIG. 1 is a perspective view of a digital camera showing my design;

FIG. 2 is a front elevational view thereof;

FIG. 3 is a rear elevational view thereof;

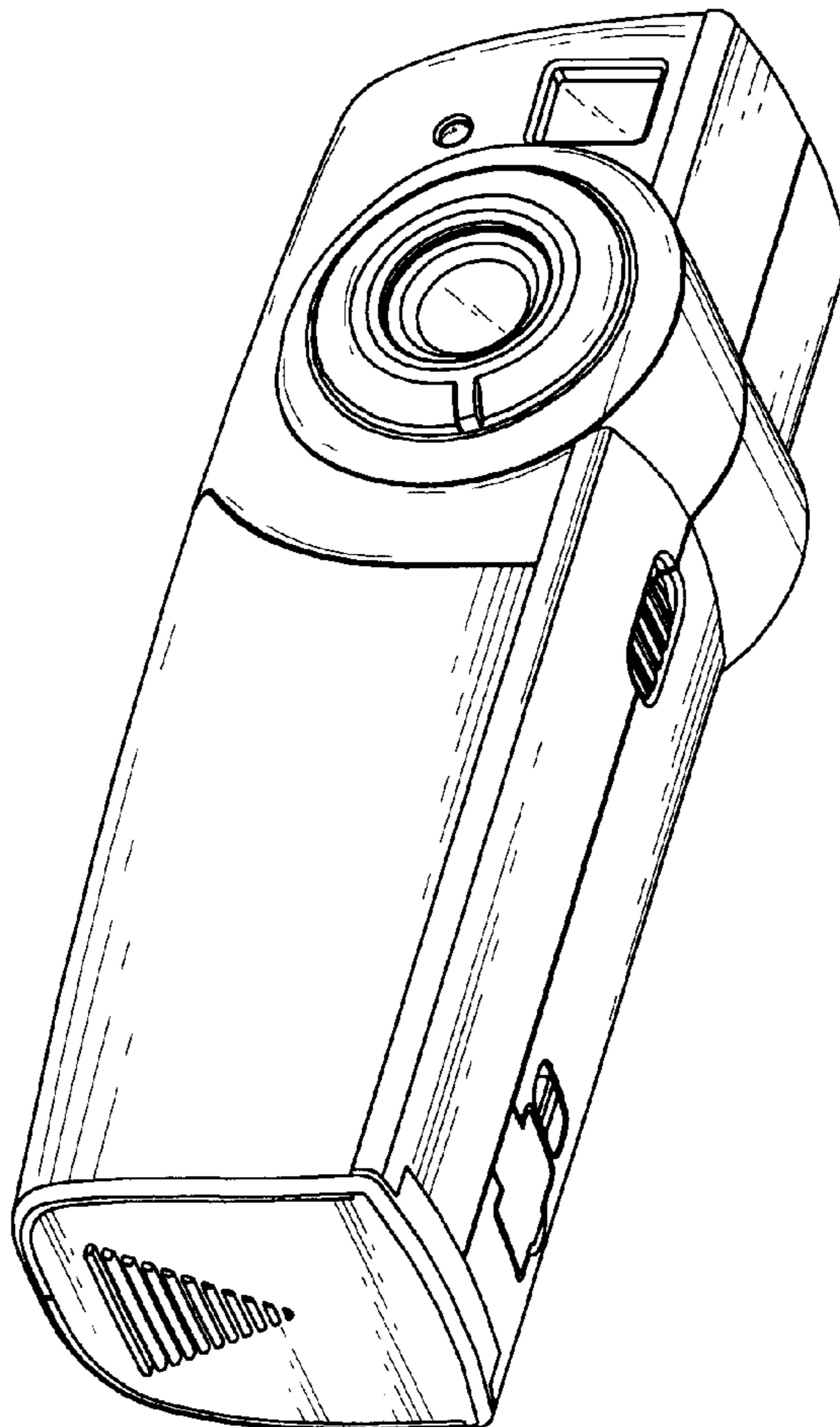
FIG. 4 is a bottom plan view thereof;

FIG. 5 is a top plan view thereof;

FIG. 6 is a left side elevational view thereof; and,

FIG. 7 is a right side elevational view thereof.

1 Claim, 4 Drawing Sheets



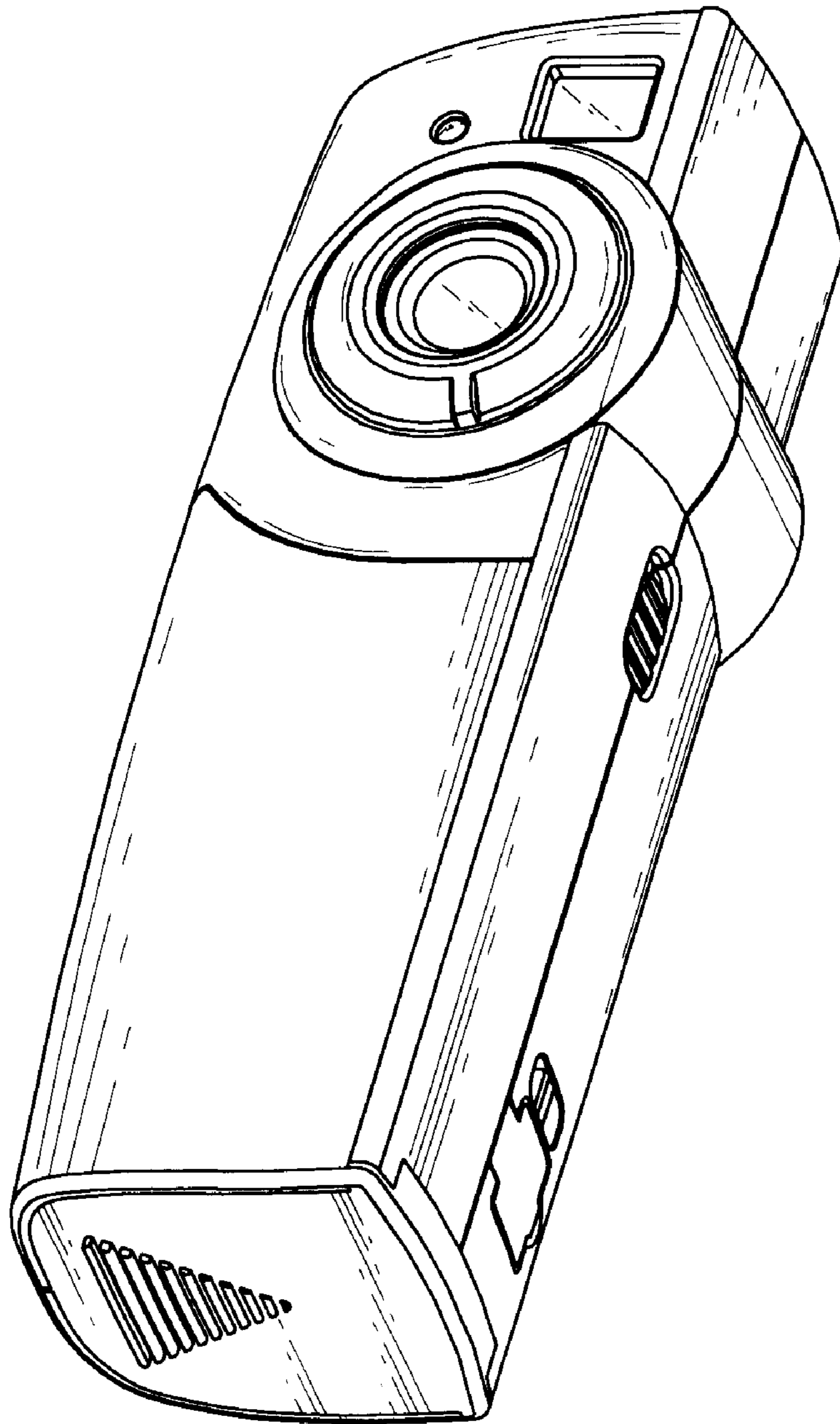


FIG. 1

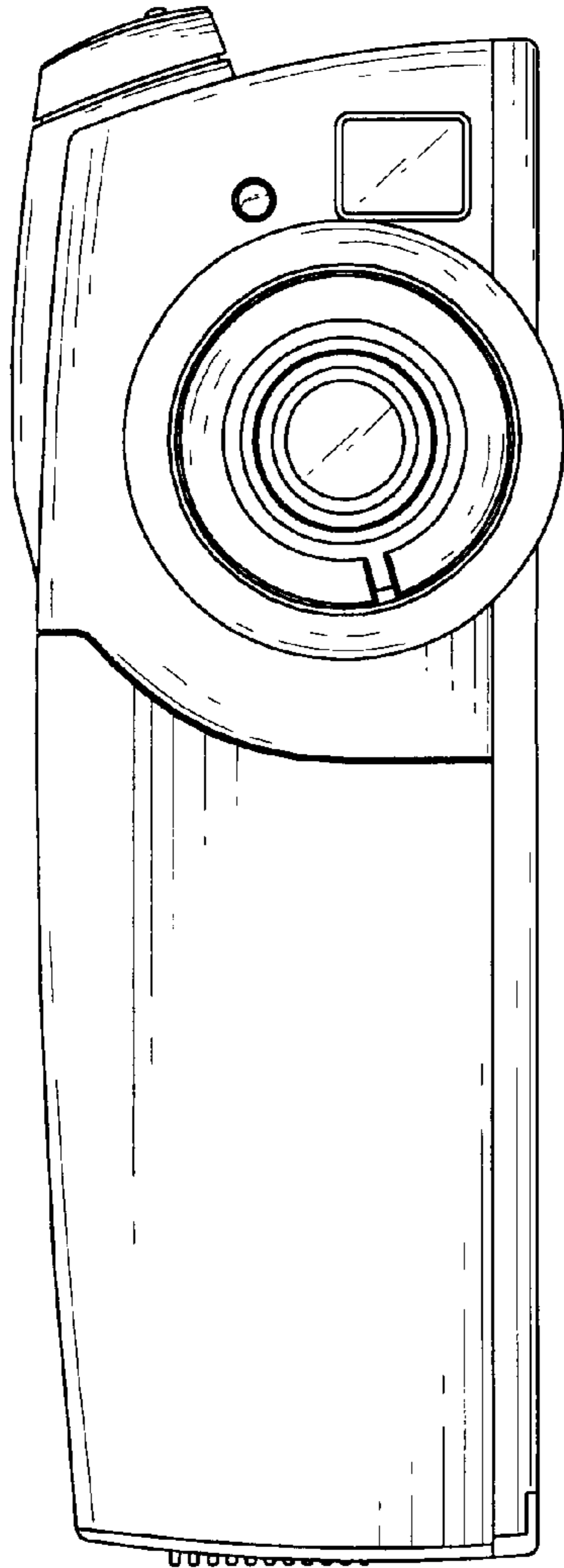


FIG. 2

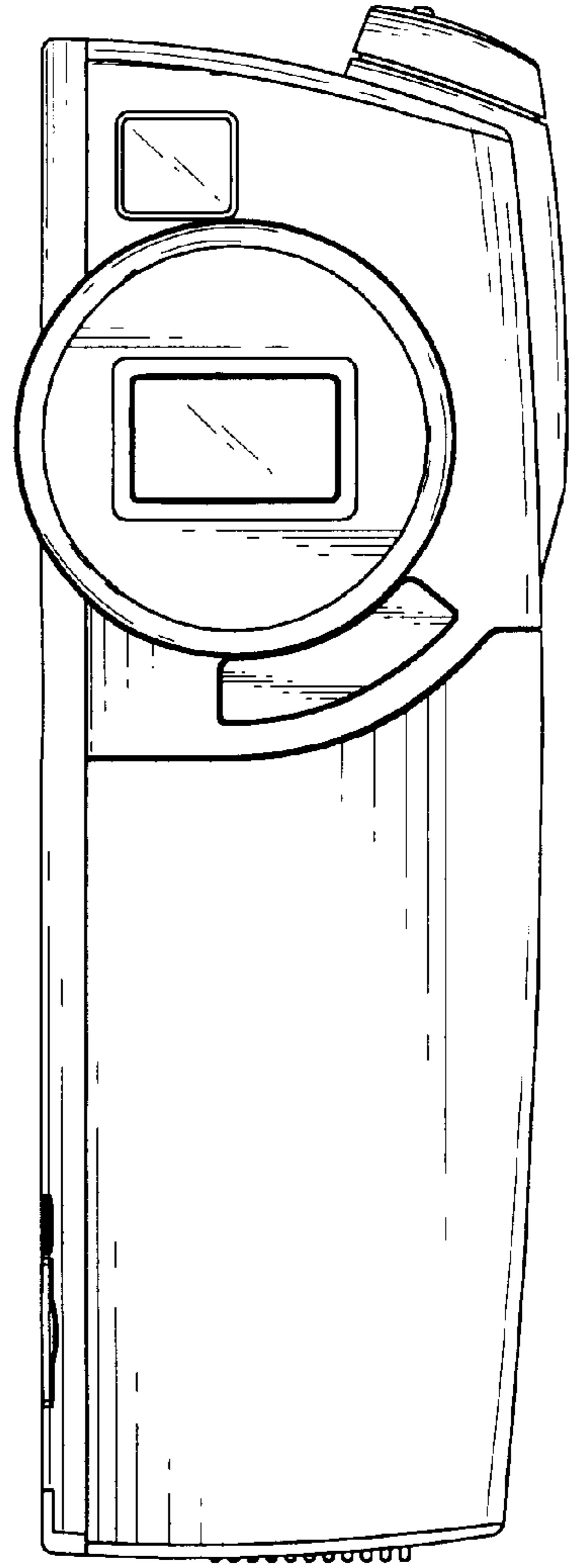


FIG. 3

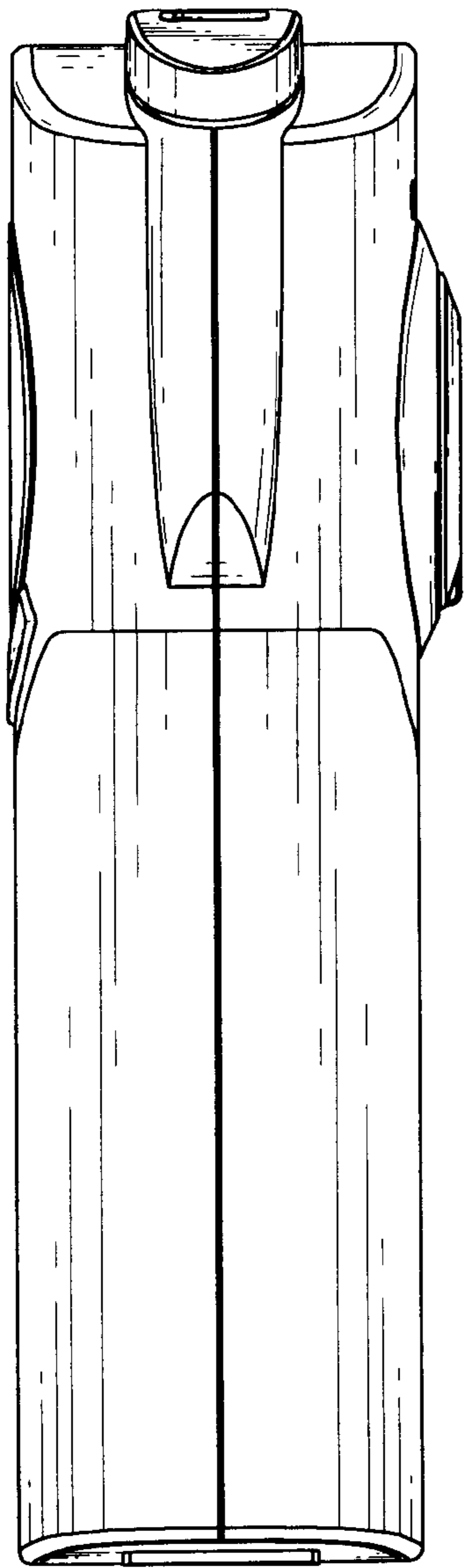


FIG. 4

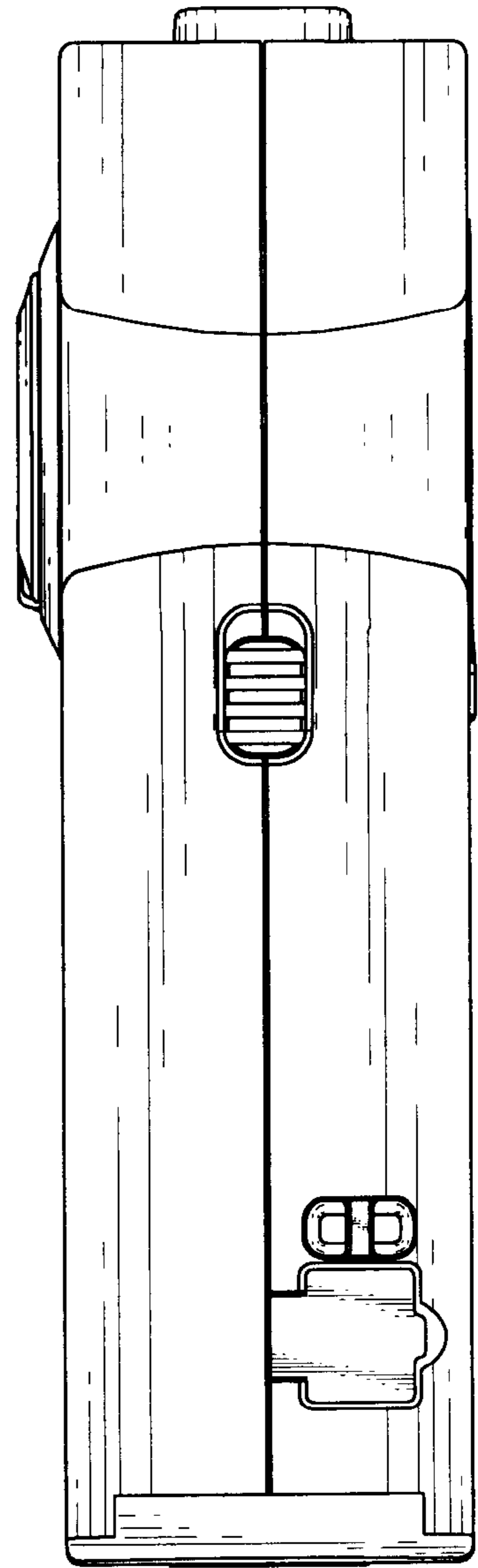


FIG. 5

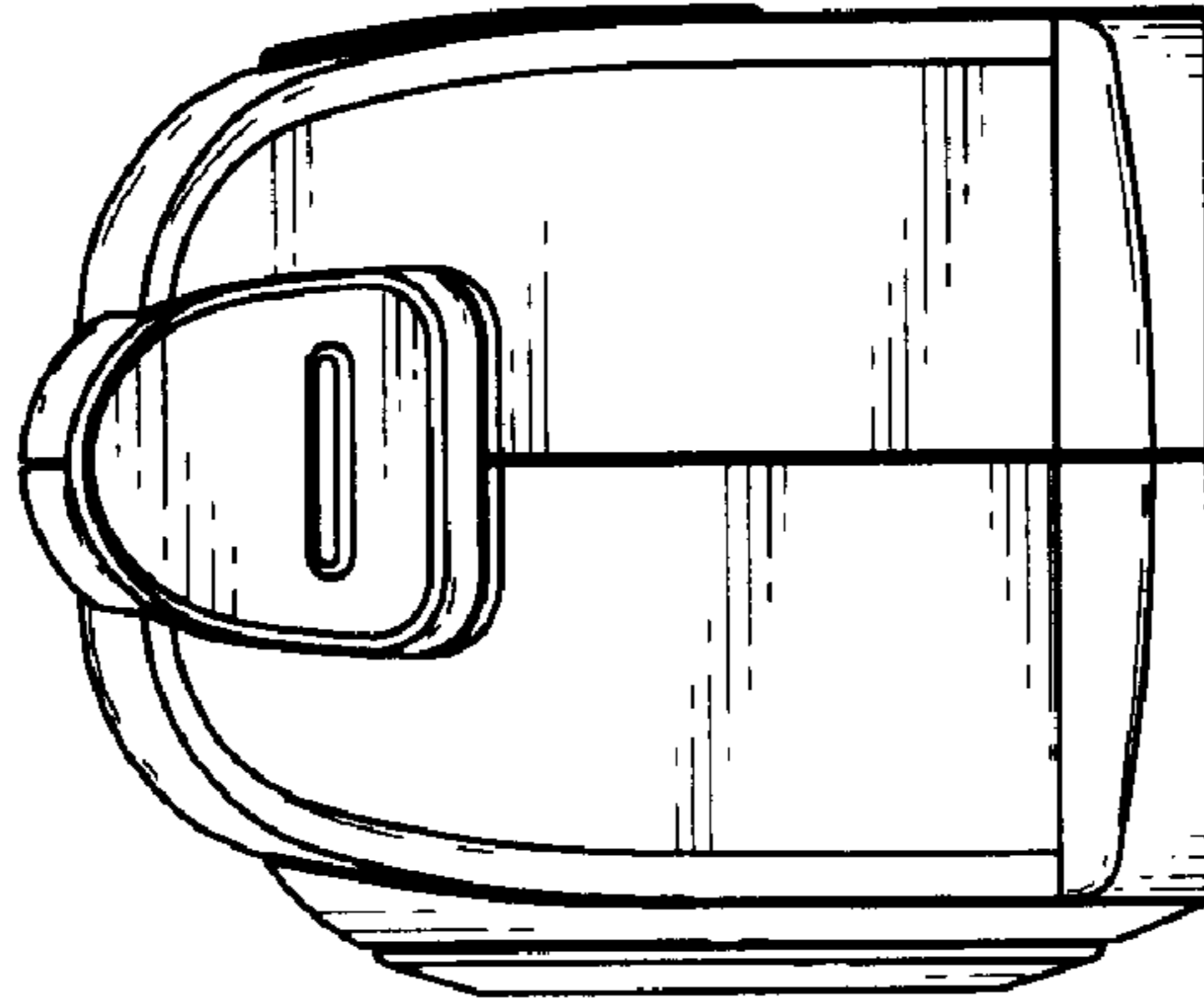


FIG. 6

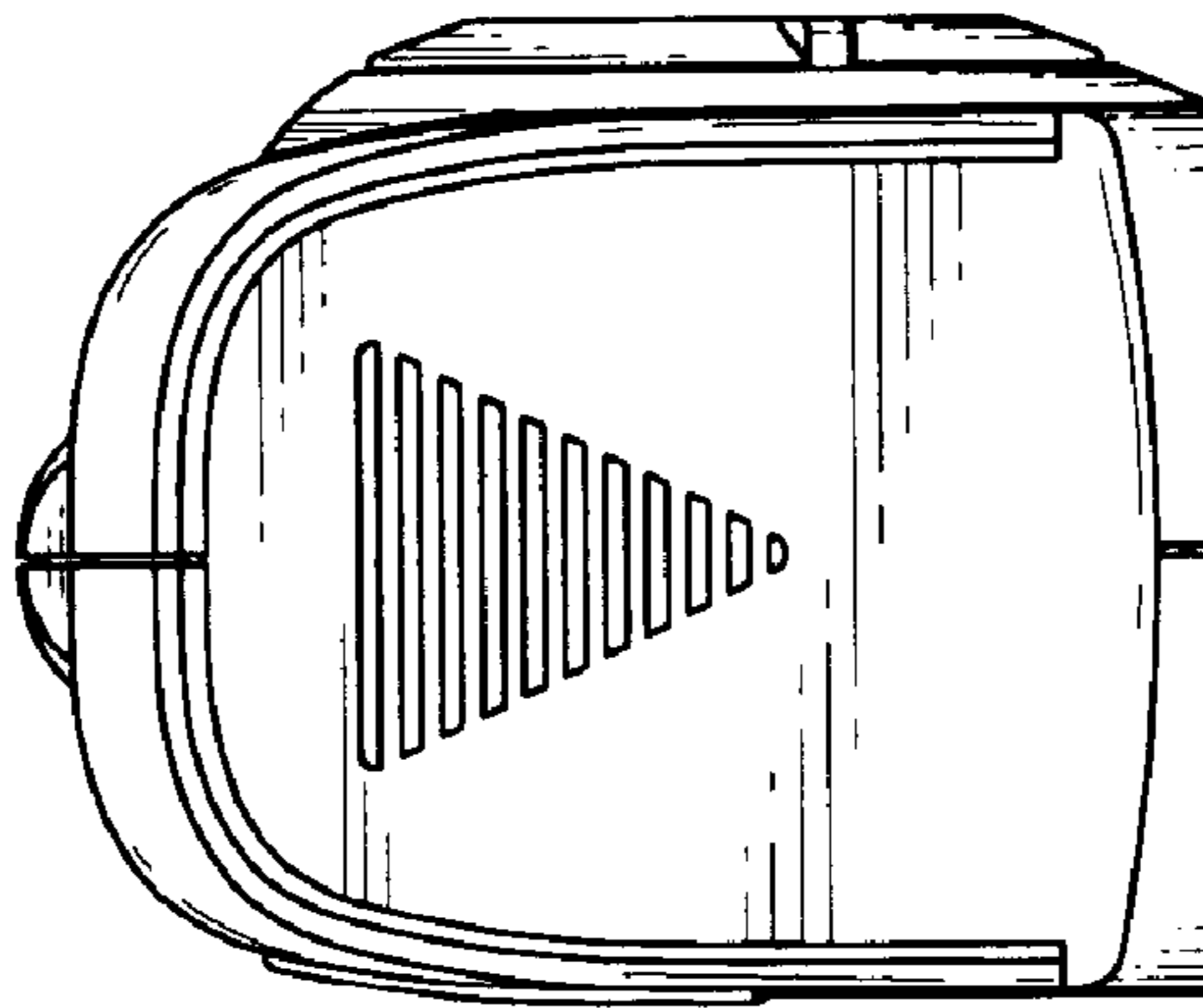


FIG. 7