



US00D466141S

(12) **United States Design Patent** (10) **Patent No.:** **US D466,141 S**
Mullet et al. (45) **Date of Patent:** **** Nov. 26, 2002**

- (54) **HOUSING FOR AN OVERHEAD DOOR OPERATOR**
- (75) Inventors: **Willis J. Mullet**, Gulf Breeze, FL (US);
Derek S. Paquette, Robertsedale, AL (US)
- (73) Assignee: **Wayne-Dalton Corp.**, Mt. Hope, OH (US)
- (**) Term: **14 Years**
- (21) Appl. No.: **29/132,539**
- (22) Filed: **Nov. 10, 2000**
- (51) **LOC (7) Cl.** **15-09**
- (52) **U.S. Cl.** **D15/148; D15/199**
- (58) **Field of Search** **D15/148, 149, D15/199; 49/197-200, 339-341; 160/188-201**

(56) **References Cited**

U.S. PATENT DOCUMENTS

- 4,827,667 A * 5/1989 Jarvis 49/180
5,535,802 A * 7/1996 Chambers 160/188 X
5,752,343 A * 5/1998 Quintus 49/29

OTHER PUBLICATIONS

International Door & Operator Industry, Sep. 1998, cover and pp. 3, 56, 57, 100 & 133.
Advertising brochure entitled "Wayne Dalton 'Quantum' Garage Door Openers", ©Copyright 1997 Wayne-Dalton Corp.
Advertising brochure entitled "Wayne Dalton 'Quantum +Plus' Garage Door Opener", ©Copyright 1996 Wayne-Dalton Corp.
Advertising brochure entitled "Wizard", ©1994 Wayne-Dalton Corp.
Advertising brochure entitled "All The Real Power You Need", ©1996, Wayne-Dalton Corp.

Product information file folder entitled "Build Our *Quality Innovations* Into Your Construction Plans", ©Copyright 1997 Wayne-Dalton Corp.
Advertising brochure entitled "Genie 912 The Single Solution", ©1994 GMI Professional Access Systems.
Advertising brochure entitled "Screwing up has its advantages. The Genie BlueMax Screw Drive from GMI.", ©1994 GMI.
Advertising brochure entitled "It takes a smooth operator to convince your customers. Genie Pro Screw Drive Garage Door Operators", ©1994 GMI.
Point Of Purchase Materials Order Form entitled "GMI Garage Door Operators", ©1994, The Genie Company.
Advertising brochure entitled "Let's put our heads together.", ©1994 GMI.

(List continued on next page.)

Primary Examiner—Antoine Duval Davis
(74) *Attorney, Agent, or Firm*—Renner, Kenner, Greive, Bobak, Taylor & Weber

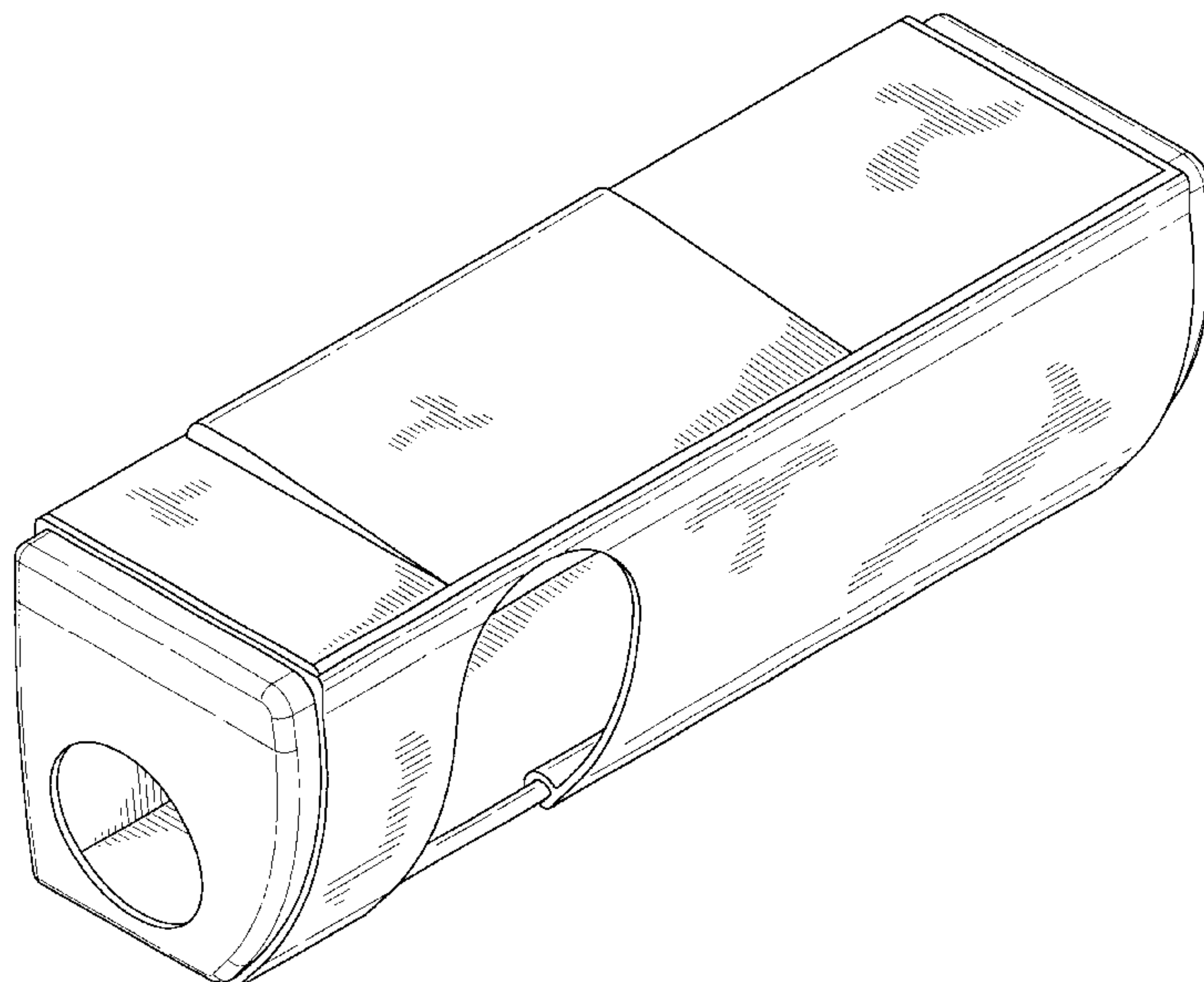
(57) **CLAIM**

The ornamental design for a housing for an overhead door operator, as shown and described.

DESCRIPTION

FIG. 1 is a top, front, and left end perspective view of a drive housing for an overhead door operator showing our new design;
FIG. 2 is a top plan view of the drive housing for an overhead door operator as shown in FIG. 1;
FIG. 3 is a front elevational view thereof;
FIG. 4 is a rear elevational view thereof;
FIG. 5 is a bottom plan view thereof;
FIG. 6 is a left end elevational view thereof; and,
FIG. 7 is a right end elevational view thereof.

1 Claim, 4 Drawing Sheets



OTHER PUBLICATIONS

Advertising brochure entitled "How To Make A Garage Door Opener Even Better", ©1994, GMI.

Advertising brochure entitled "Promax Stealth Ultra-Quiet DC Drive Belt & Chain Drive Garage Door Openers", ©1994, GMI.

Advertising brochure entitled "Genie Bluemax Deluxe Screw Drive Garage Door Openers", ©1994, GMI.

Advertising brochure entitled "Genie Pro Screw Drive Garage Door Opening System", ©1994, GMI.

Advertising brochure entitled "We're beginning a silent revolution. Promax Stealth Belt & Chain Drive Garage Door Operators", ©1994 GMI.

Miracle Instrument Co. advertisement, *International Door & Operator Industry*, Sep. 1999, cover and p. 128.

* cited by examiner

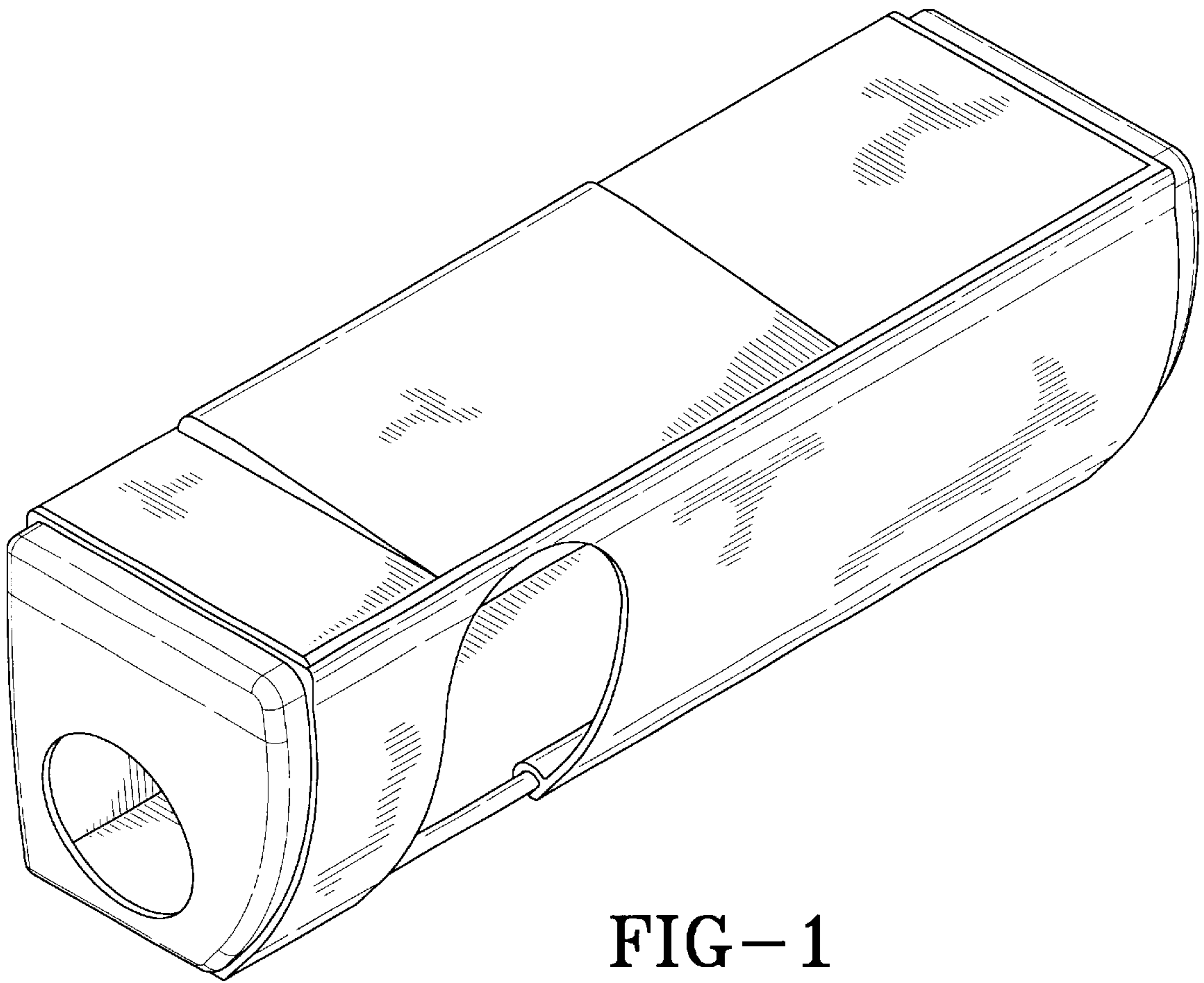


FIG-1

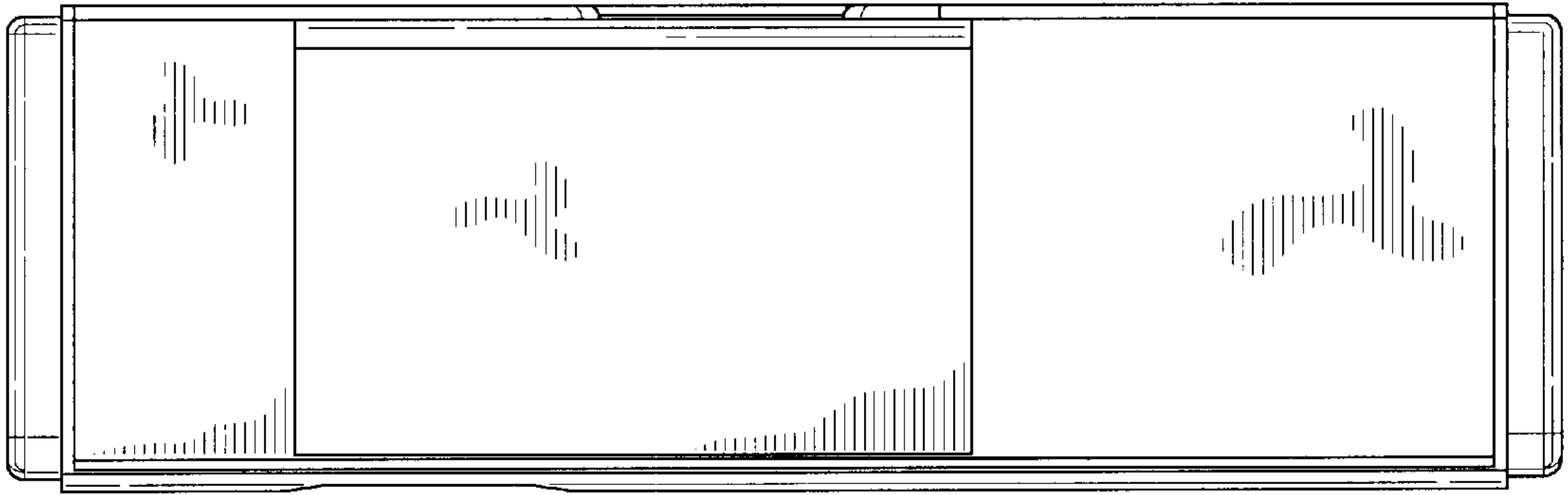


FIG-2

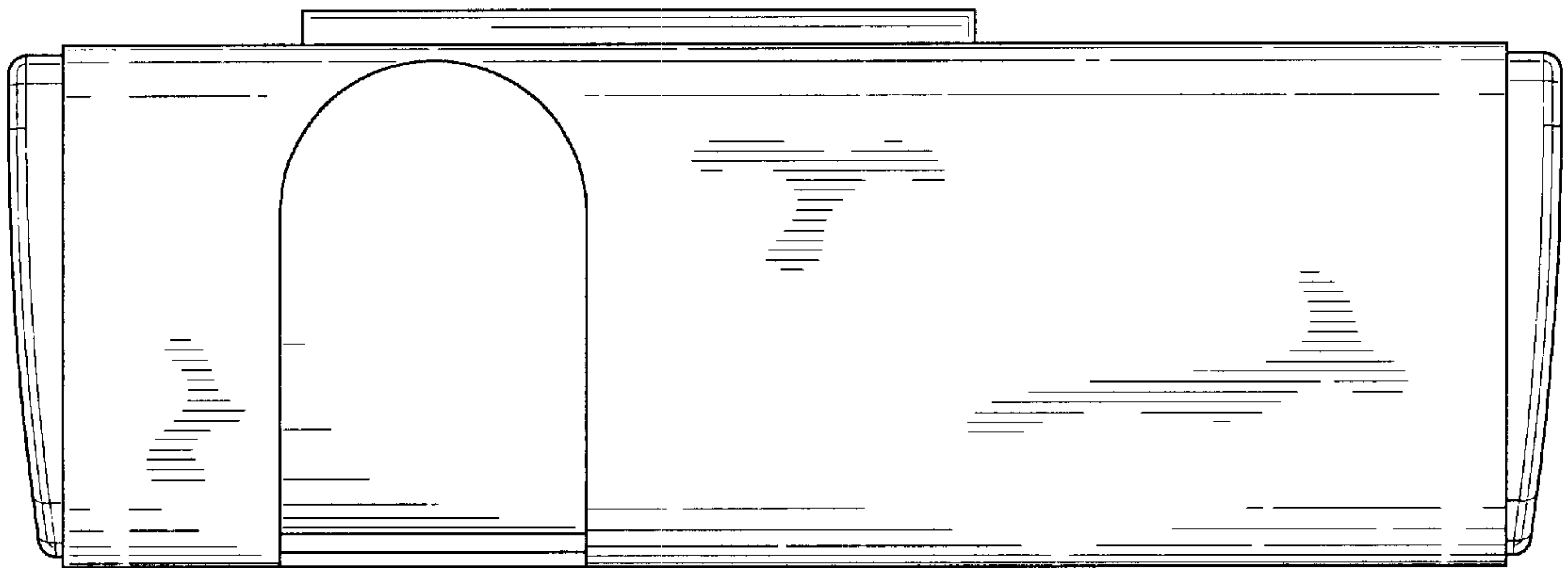


FIG-3

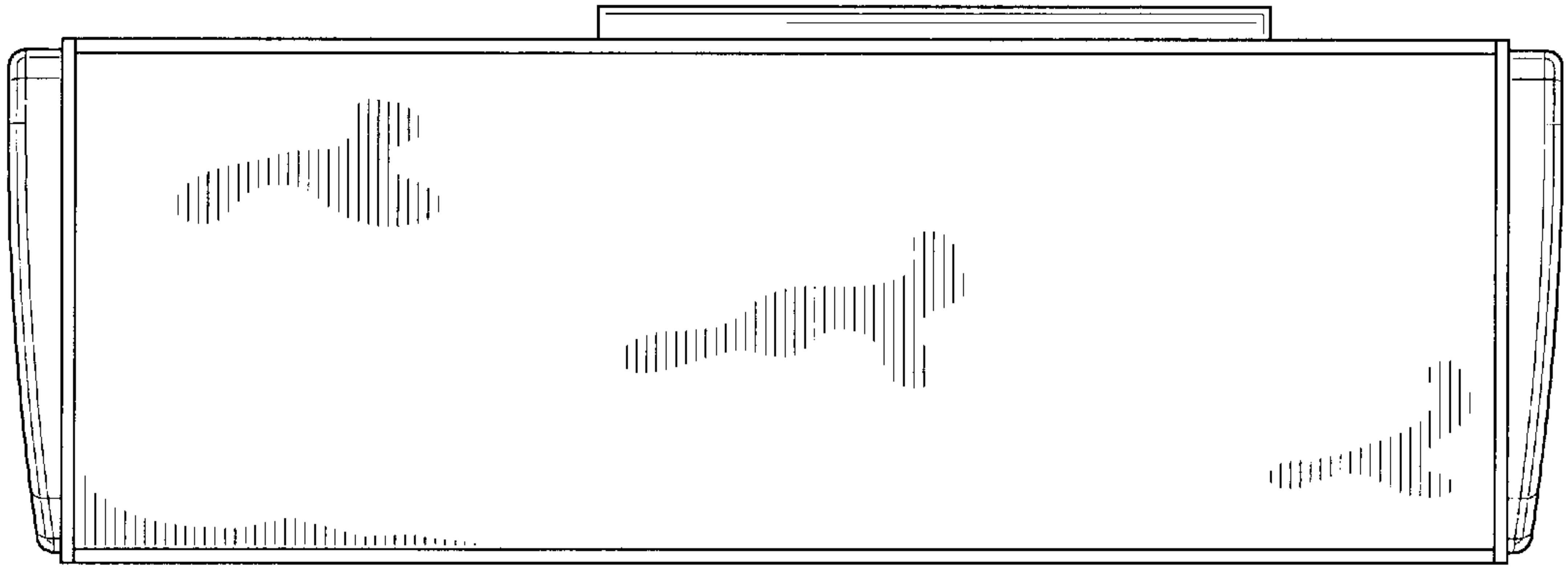


FIG-4

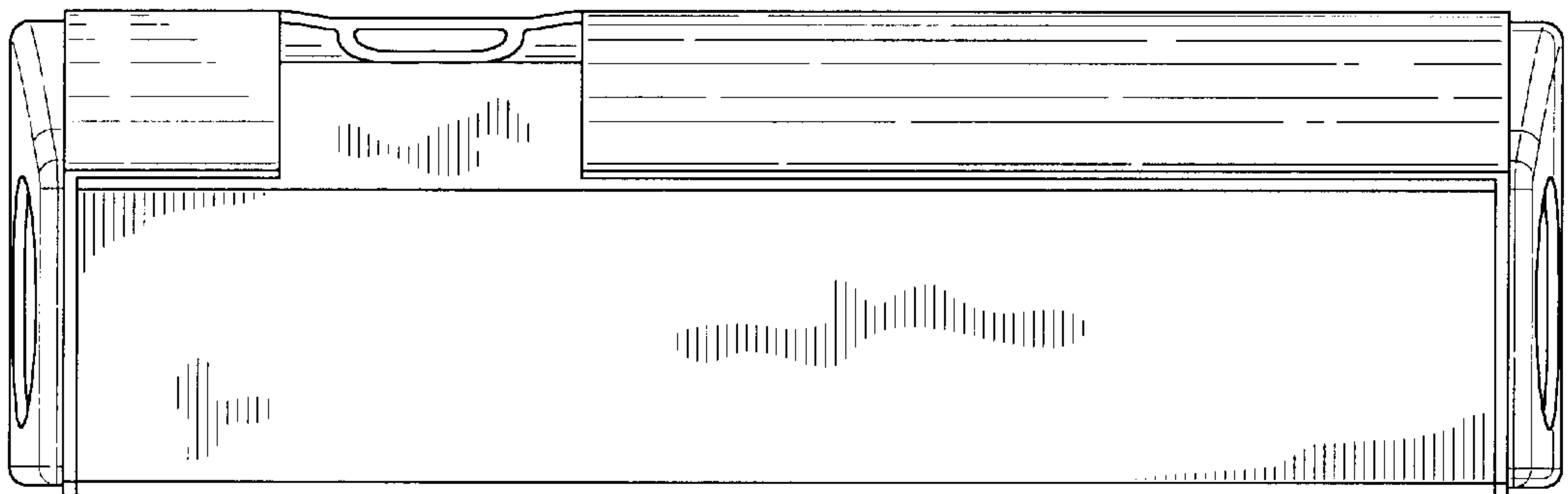


FIG-5

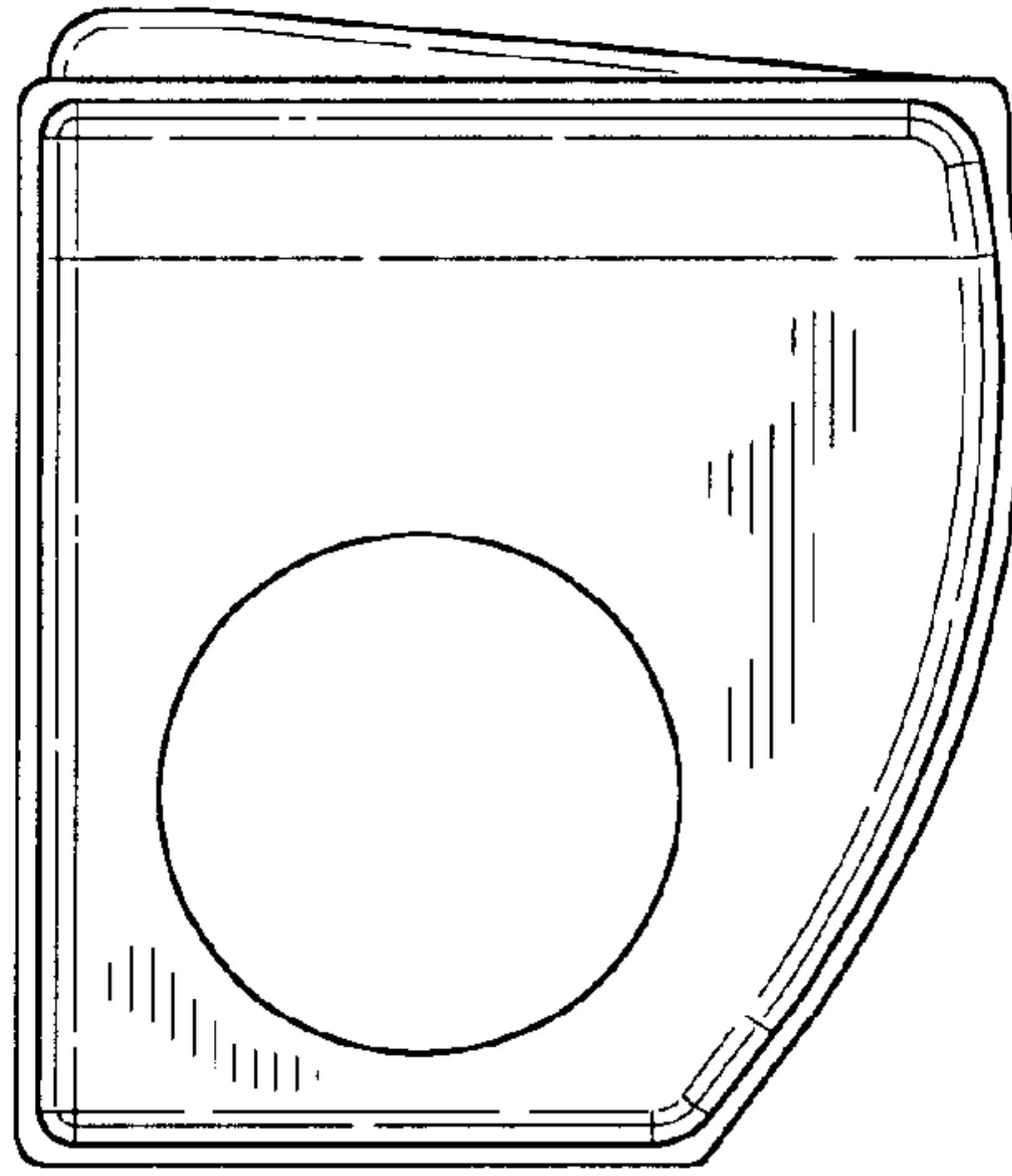


FIG-6

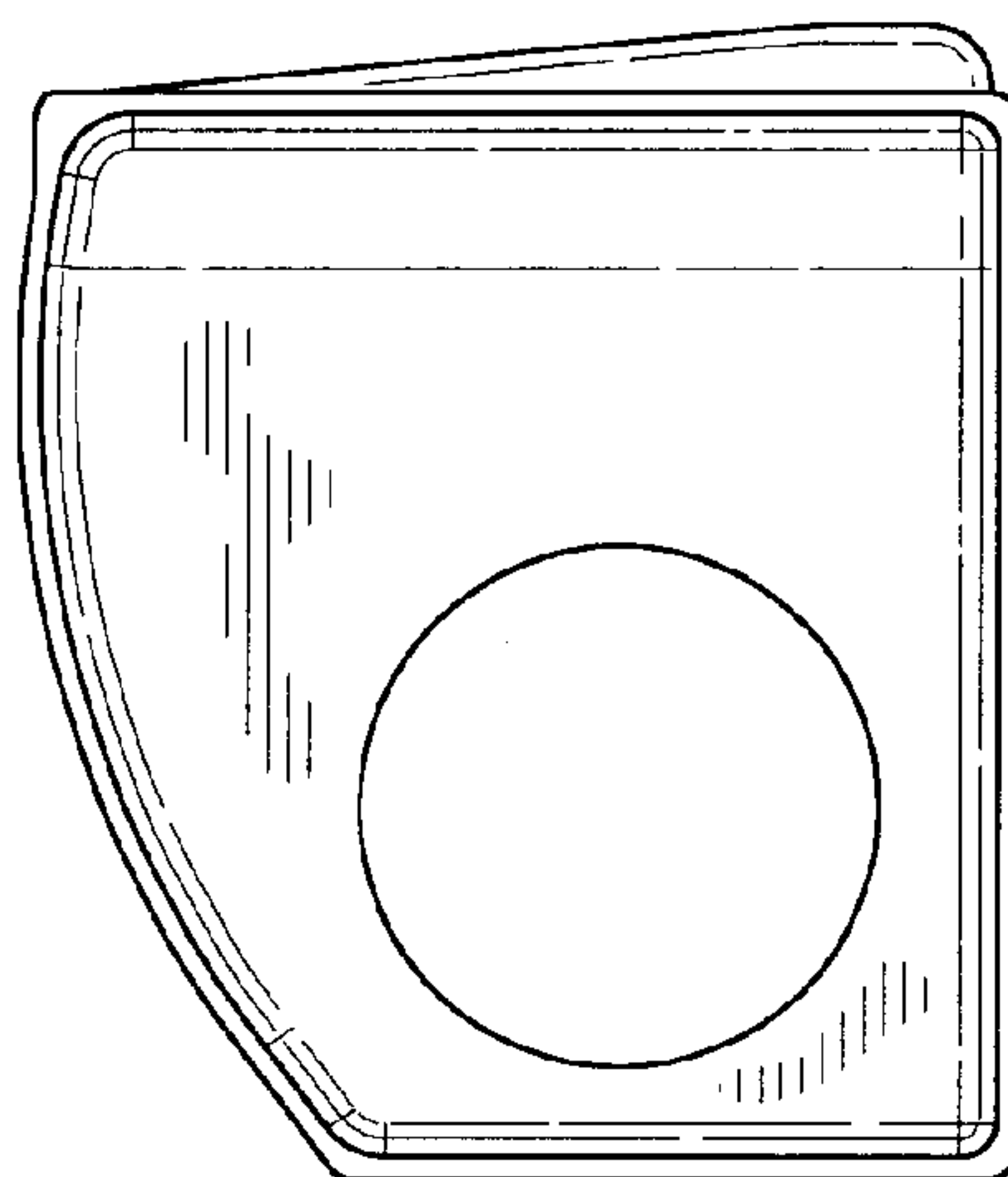


FIG-7