



US00D466140S

(12) **United States Design Patent**  
**Huey**

(10) **Patent No.:** **US D466,140 S**

(45) **Date of Patent:** **\*\* Nov. 26, 2002**

(54) **TOOL FOR DISPENSING ADHESIVES AND SEALANTS**

D429,263 S \* 8/2000 Auber et al. .... D15/144.2

\* cited by examiner

(75) Inventor: **Brett Huey**, San Diego, CA (US)

*Primary Examiner*—Antoine Duval Davis

(73) Assignee: **Nordson Corporation**, Westlake, OH (US)

(74) *Attorney, Agent, or Firm*—Raymond J. Slattery, III

(\*\*) Term: **14 Years**

(57) **CLAIM**

The ornamental design for a tool for dispensing adhesives and sealants, as shown and described.

(21) Appl. No.: **29/151,038**

**DESCRIPTION**

(22) Filed: **Oct. 31, 2001**

(51) **LOC (7) Cl.** ..... **15-09**

(52) **U.S. Cl.** ..... **D15/144.2**

(58) **Field of Search** ..... D15/144, 144.1, D15/144.2; 118/313, 323, 697; 222/146.5, 189, 482, 504; 427/186, 208.2; 901/43

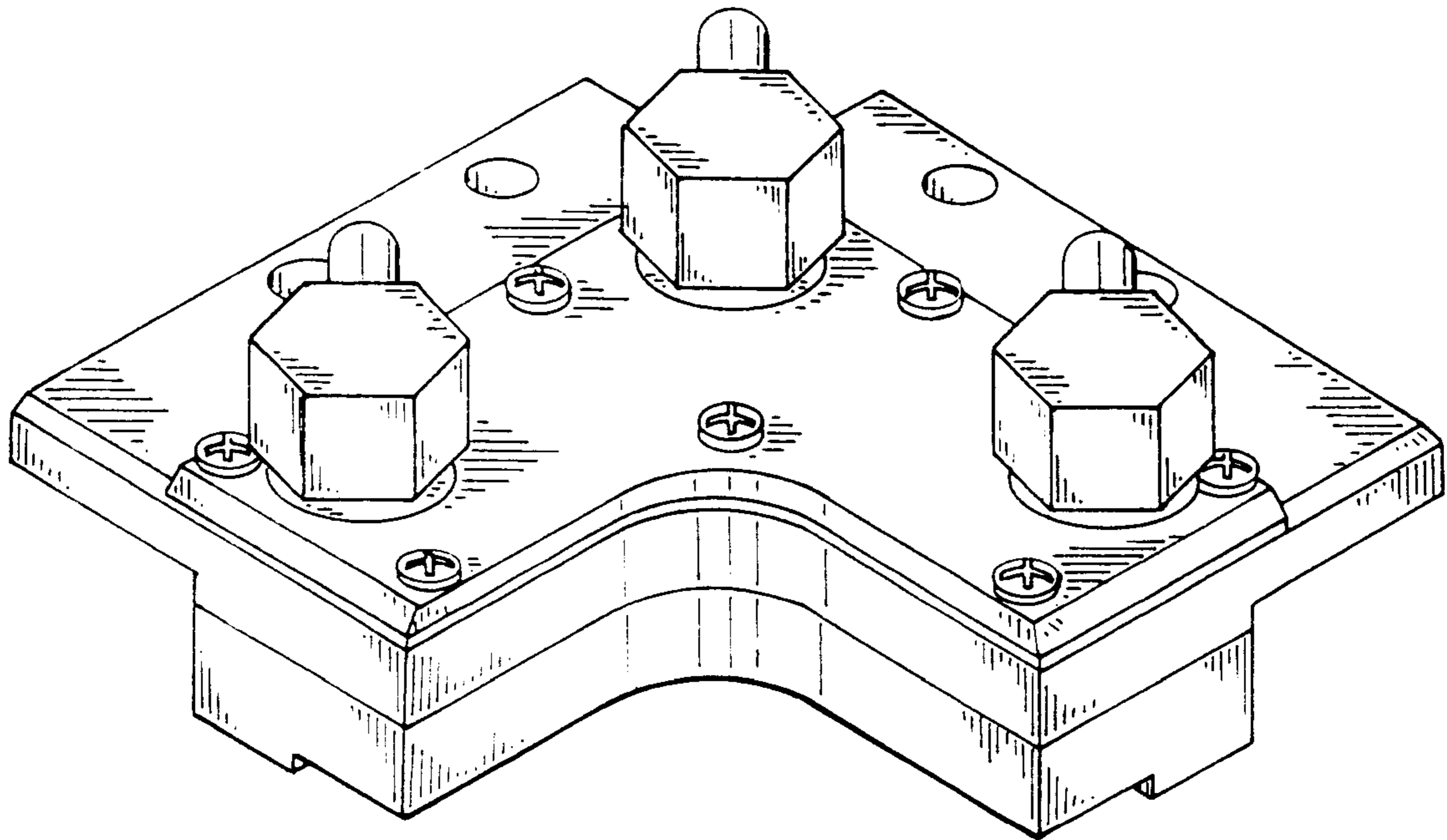
FIG. 1 is a front elevational view of the new design for a tool for dispensing adhesives and sealants;  
FIG. 2 is a top plan view;  
FIG. 3 is a bottom view;  
FIG. 4 is a right side elevational view;  
FIG. 5 is a left side elevational view;  
FIG. 6 is a rear elevational view;  
FIG. 7 is a perspective view; and,  
FIG. 8 is a bottom perspective view.

(56) **References Cited**

**U.S. PATENT DOCUMENTS**

D365,830 S \* 1/1996 Hubbard et al. .... D15/144.2

**1 Claim, 3 Drawing Sheets**



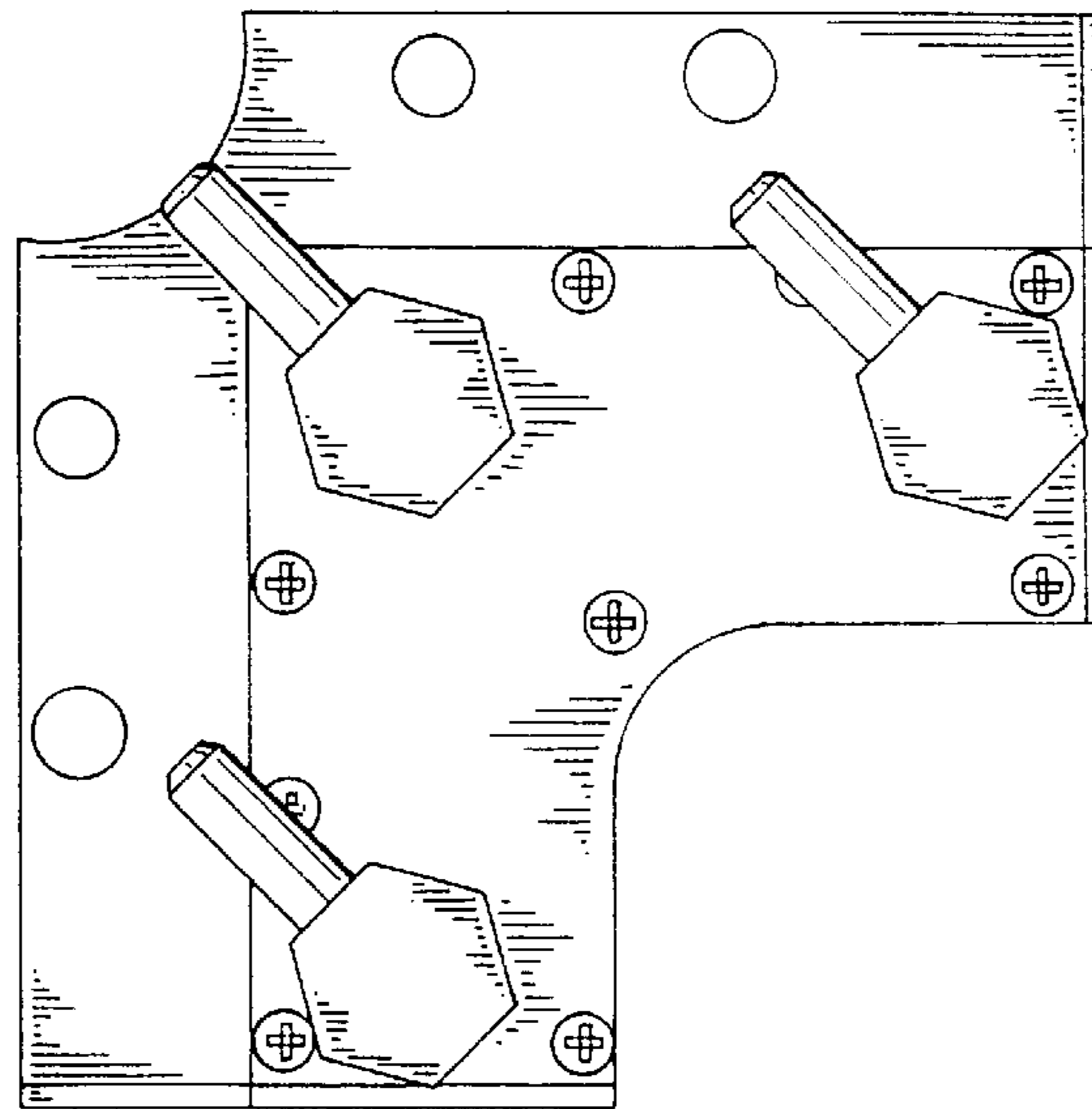


FIG.-2

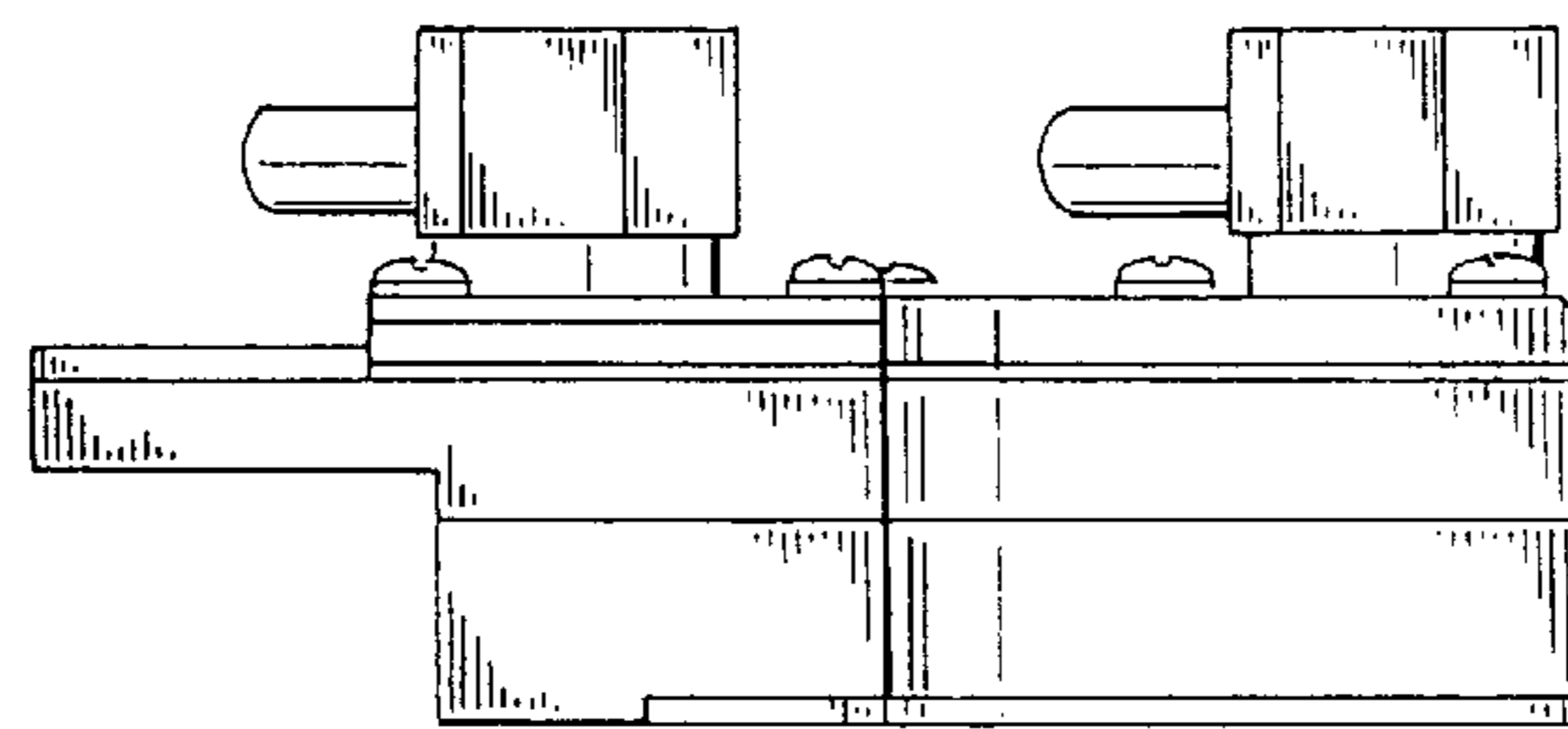


FIG.-1

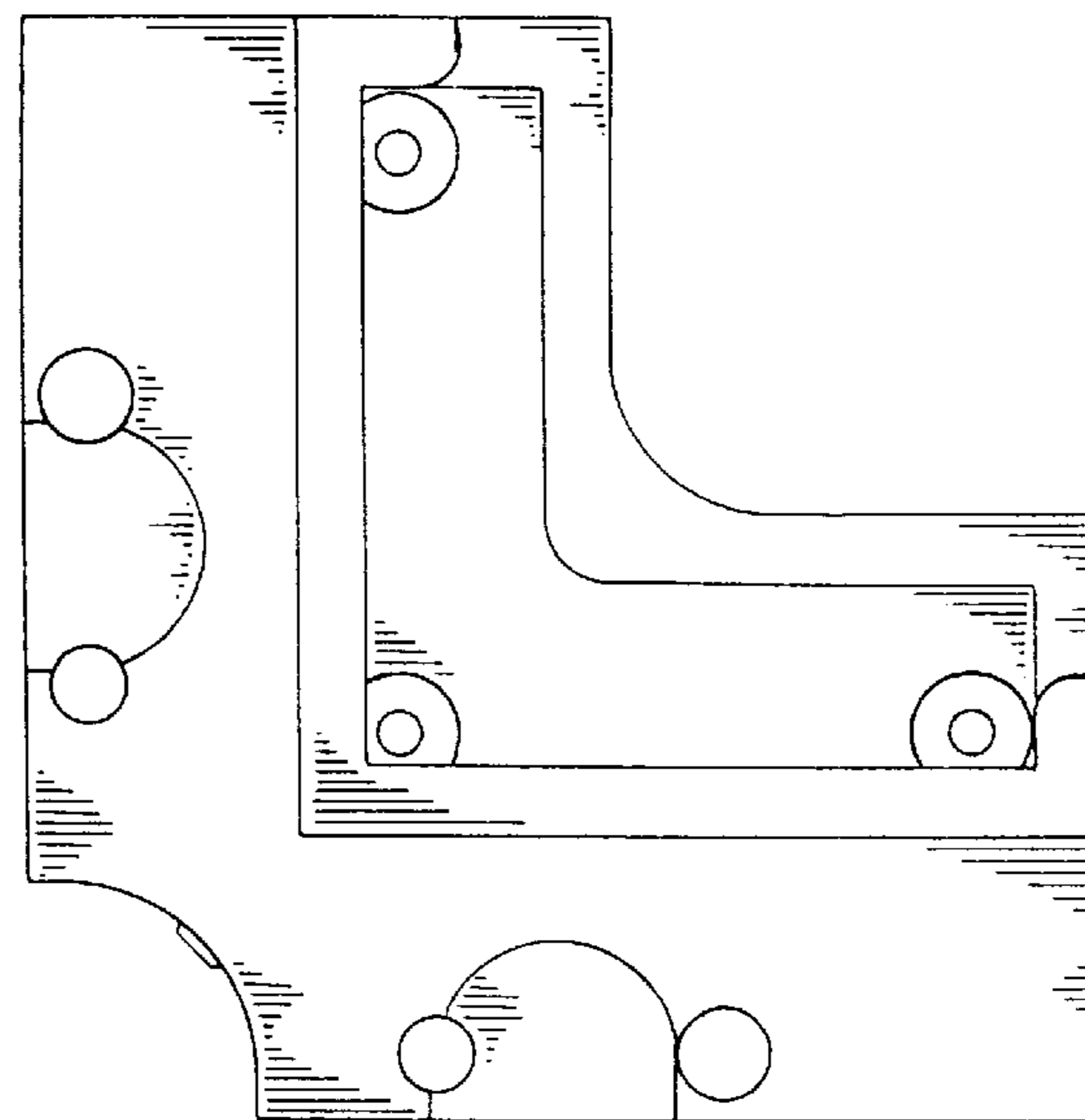


FIG.-3

FIG.-4

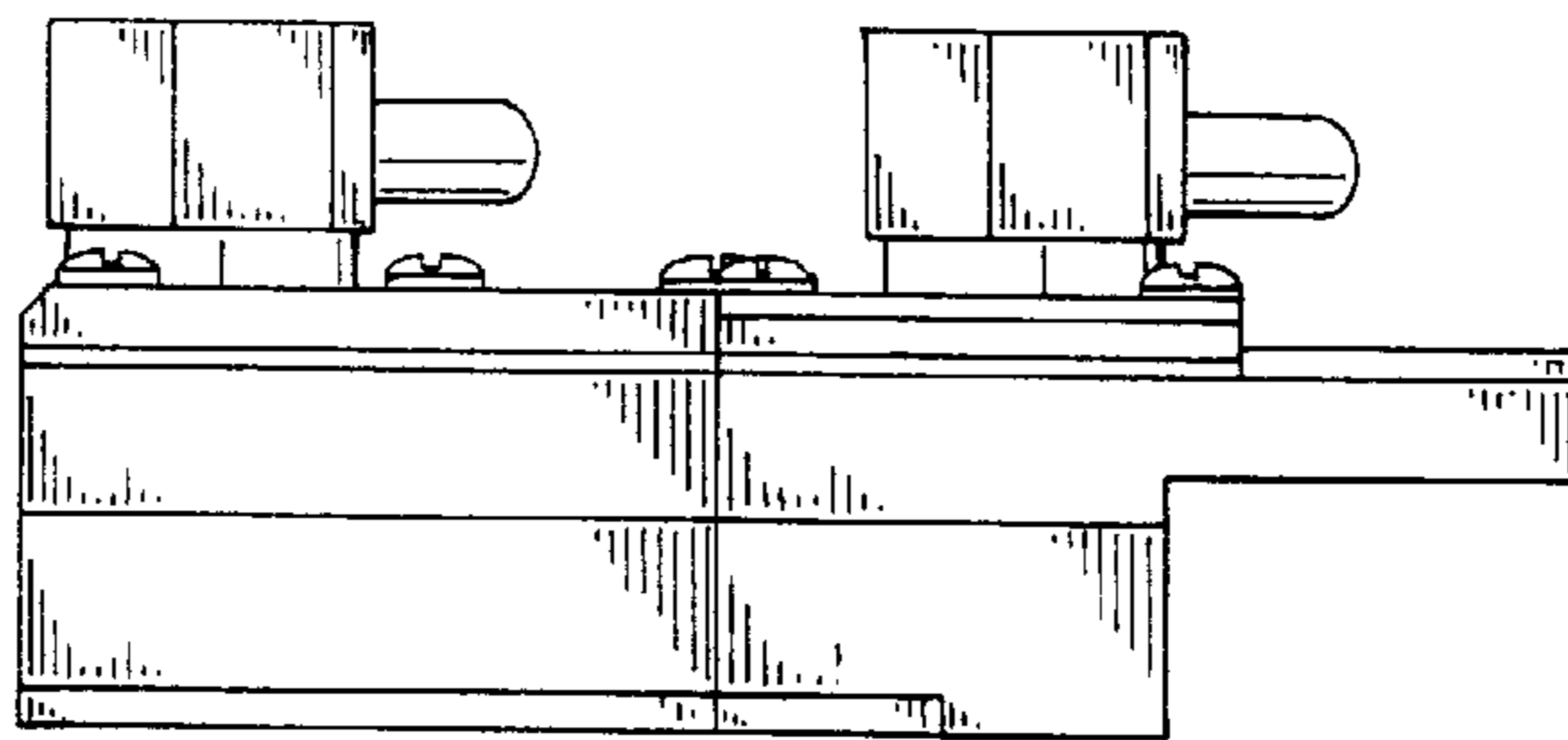


FIG.-5

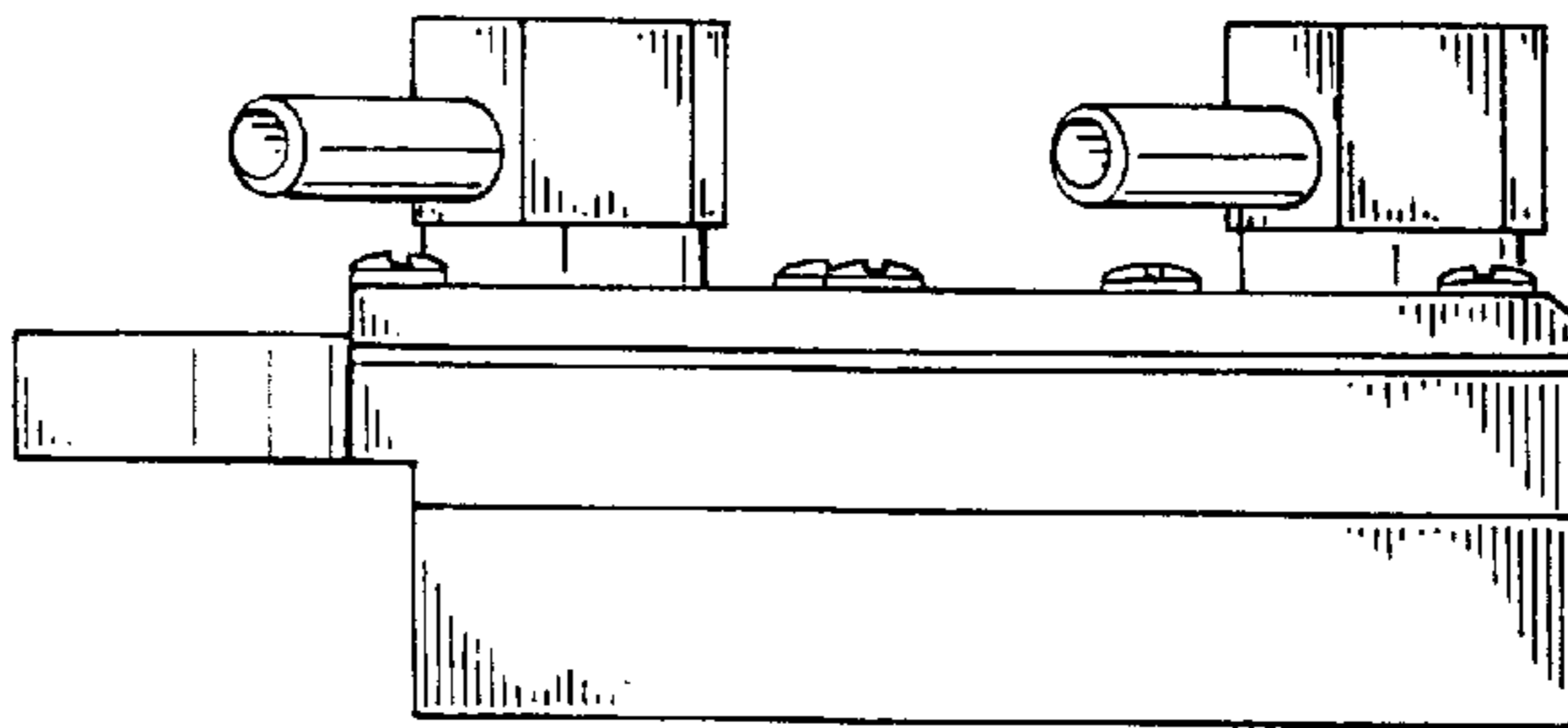


FIG.-6

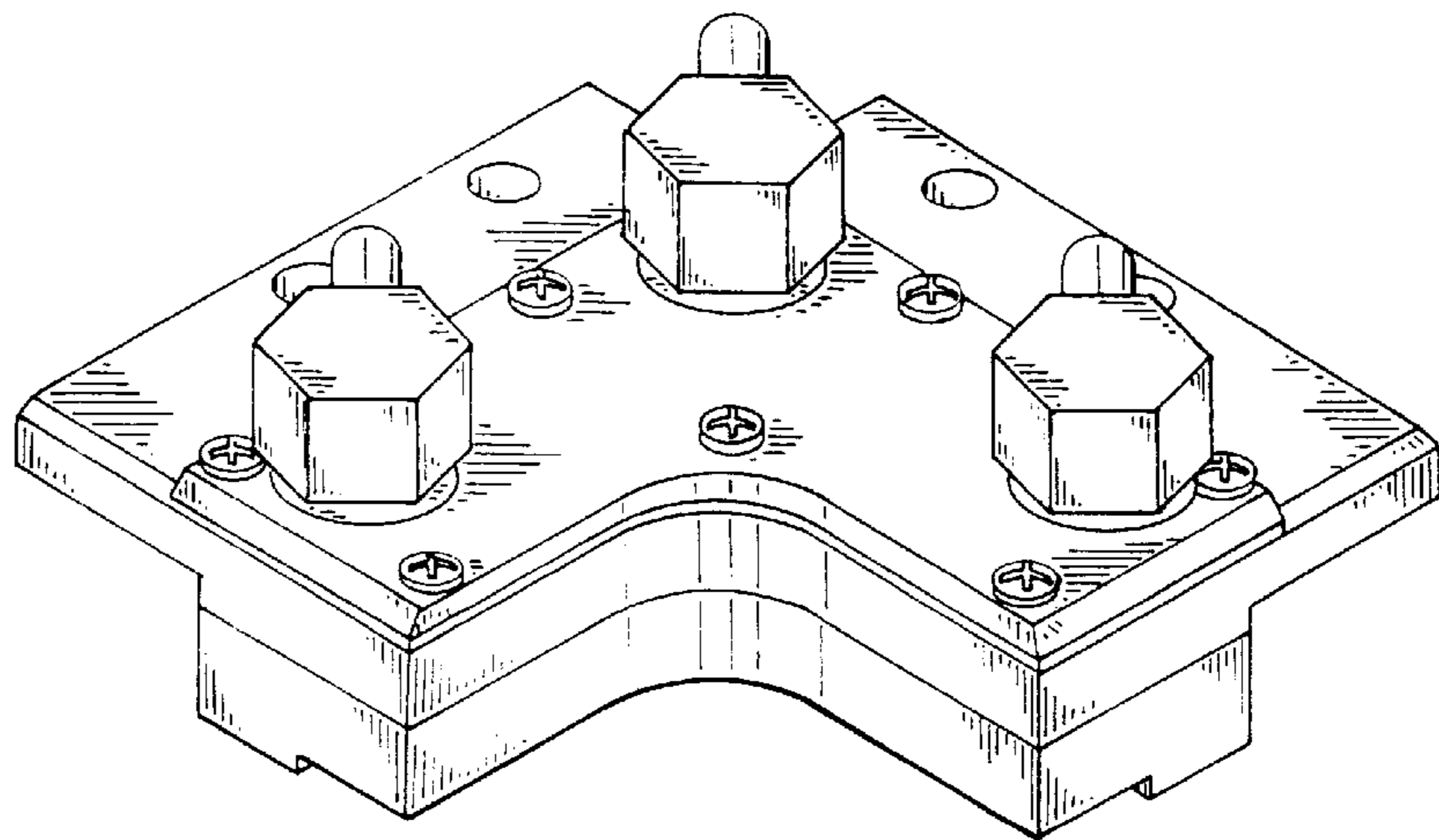
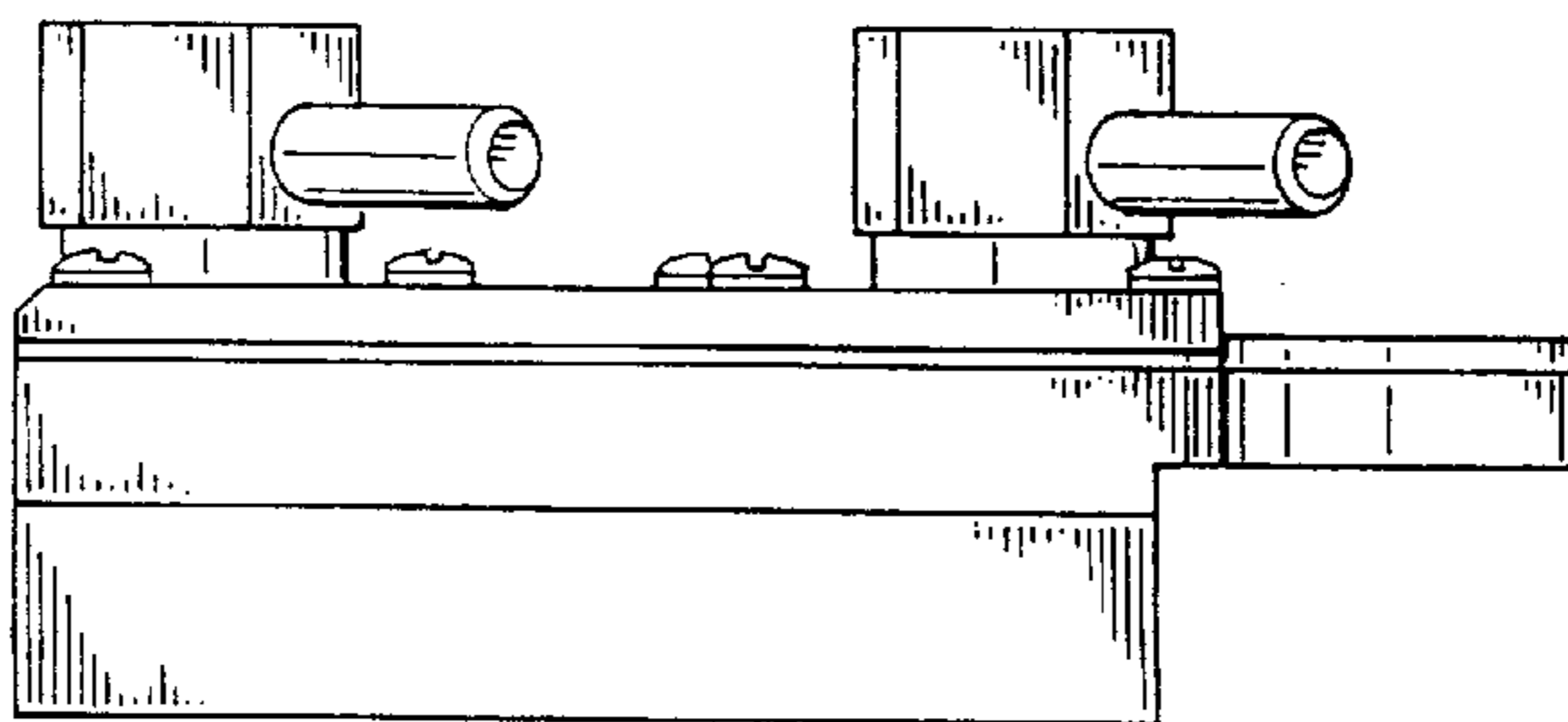


FIG.-7

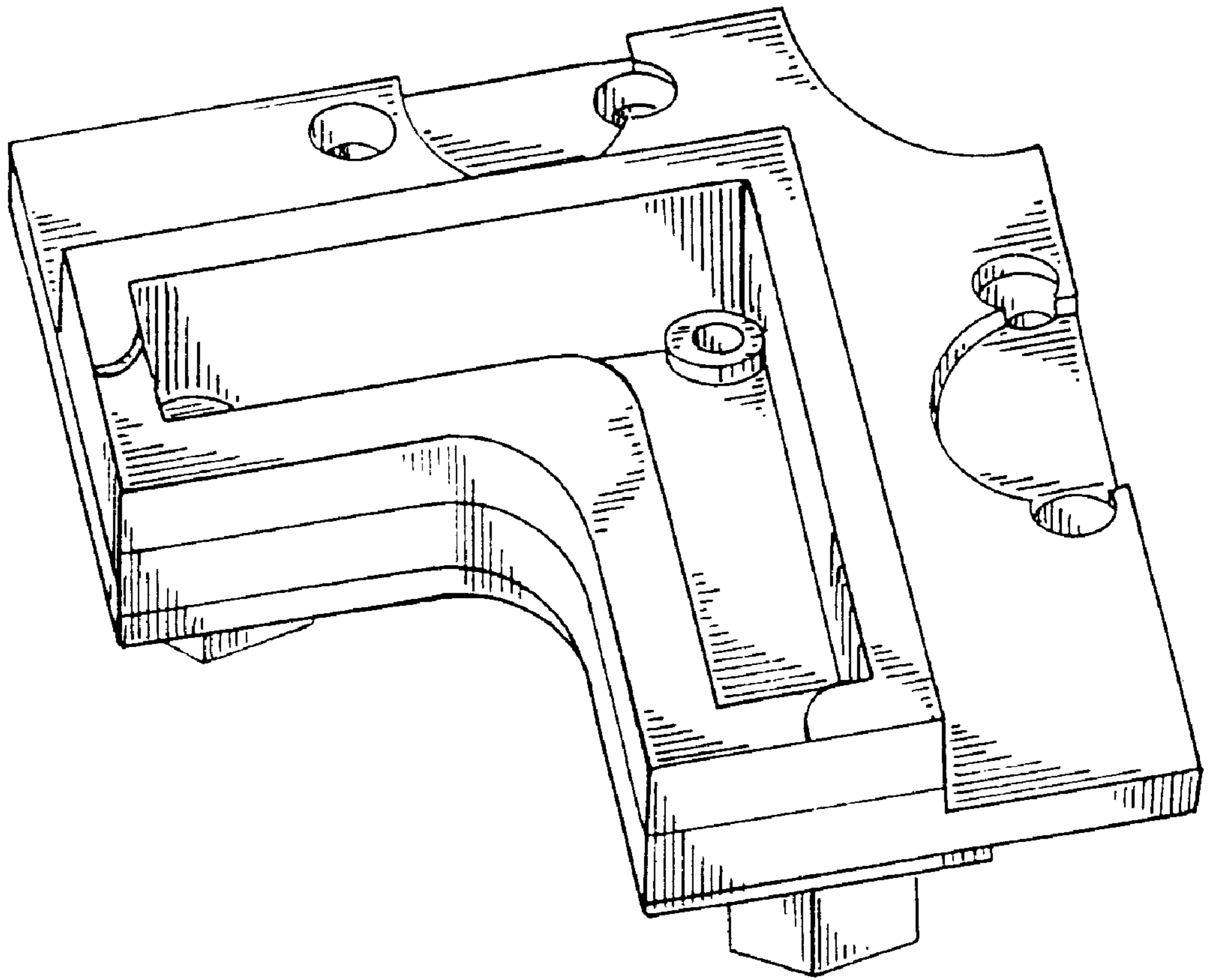


FIG.-8