



US00D466139S

(12) **United States Design Patent**
Kim et al.

(10) **Patent No.:** **US D466,139 S**

(45) **Date of Patent:** **** Nov. 26, 2002**

(54) **CORE DRILL**

FOREIGN PATENT DOCUMENTS

(75) Inventors: **See Hyung Kim**, Sungnam (KR); **Joon Ho Chang**, Gunsan (KR)

KR 9317454 8/1993

* cited by examiner

(73) Assignee: **Ehwa Diamond Industrial Co., Ltd.**
(KR)

Primary Examiner—Antoine Duval Davis

(74) *Attorney, Agent, or Firm*—Webb Ziesenheim Logsdon Orkin & Hanson, P.C.

(**) Term: **14 Years**

(57) **CLAIM**

(21) Appl. No.: **29/150,361**

The ornamental design for a core drill, as shown and described.

(22) Filed: **Nov. 16, 2001**

(51) **LOC (7) Cl.** **15-09**

(52) **U.S. Cl.** **D15/139**

(58) **Field of Search** D15/132, 138,
D15/139; 125/20, 15; 175/403, 320, 402,
405.1; 408/204, 238, 145, 201; 451/540,
542, 548, 541

DESCRIPTION

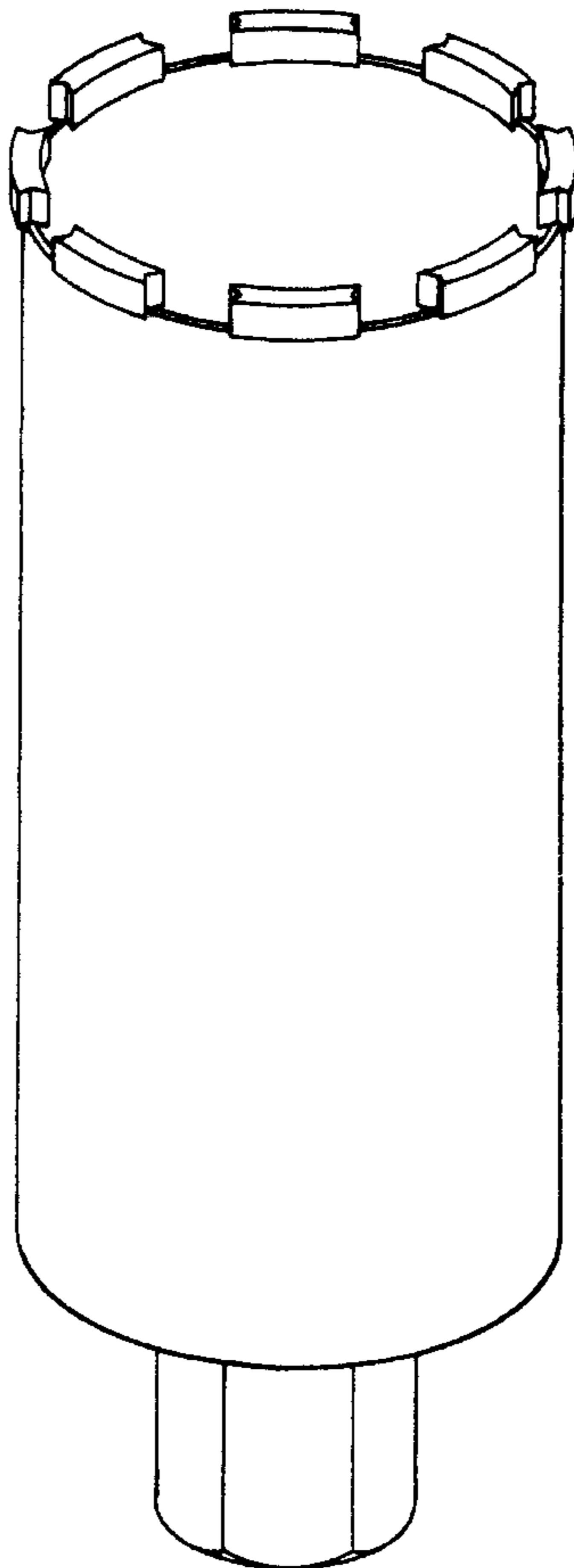
FIG. 1 is a perspective view of the core drill;
FIG. 2 is a front view thereof; (the rear view thereof is a mirror image of this)
FIG. 3 is a left side view thereof; (the right side view thereof is a mirror image of this)
FIG. 4 is a top plan view thereof;
FIG. 5 is a bottom view thereof; and,
FIG. 6 is a cross-sectional view of the core drill of FIG. 1 taken along section line 6—6.

(56) **References Cited**

U.S. PATENT DOCUMENTS

4,208,154 A * 6/1980 Gandy 408/204
D342,270 S * 12/1993 Kwang D15/139
5,996,571 A * 12/1999 Jedick 125/20
6,033,295 A * 3/2000 Fisher et al. 451/540

1 Claim, 3 Drawing Sheets



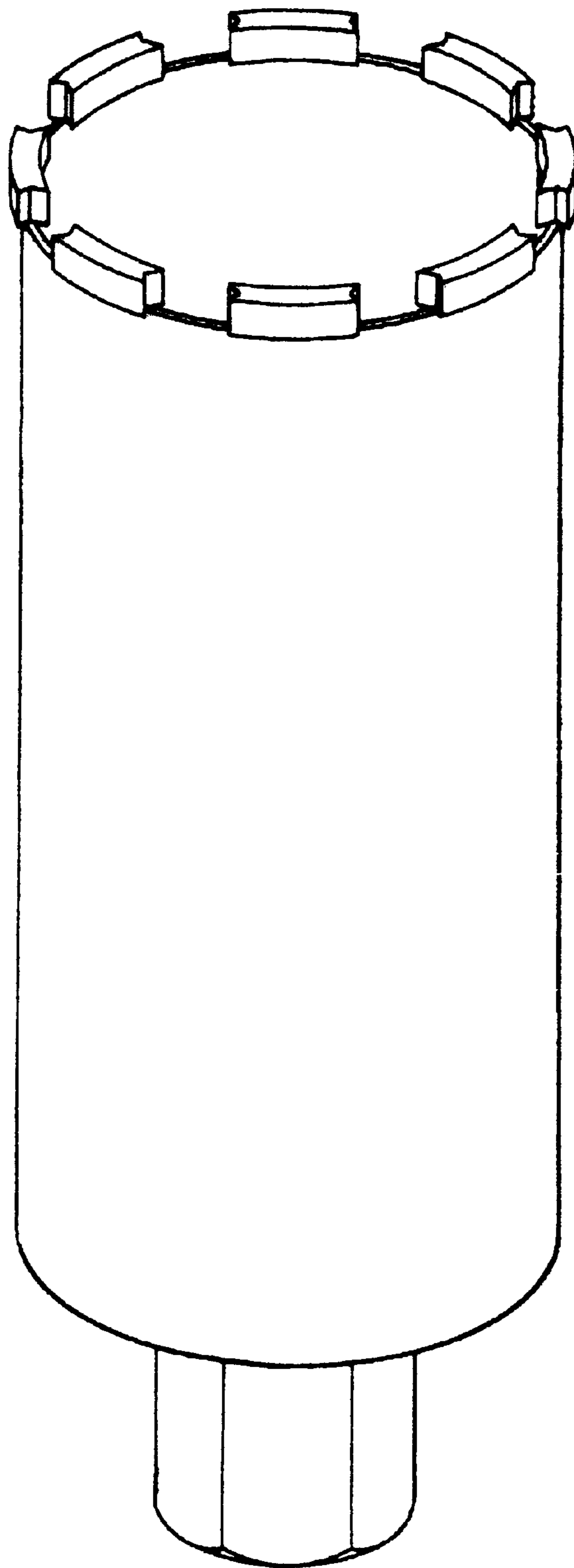


FIG. 1

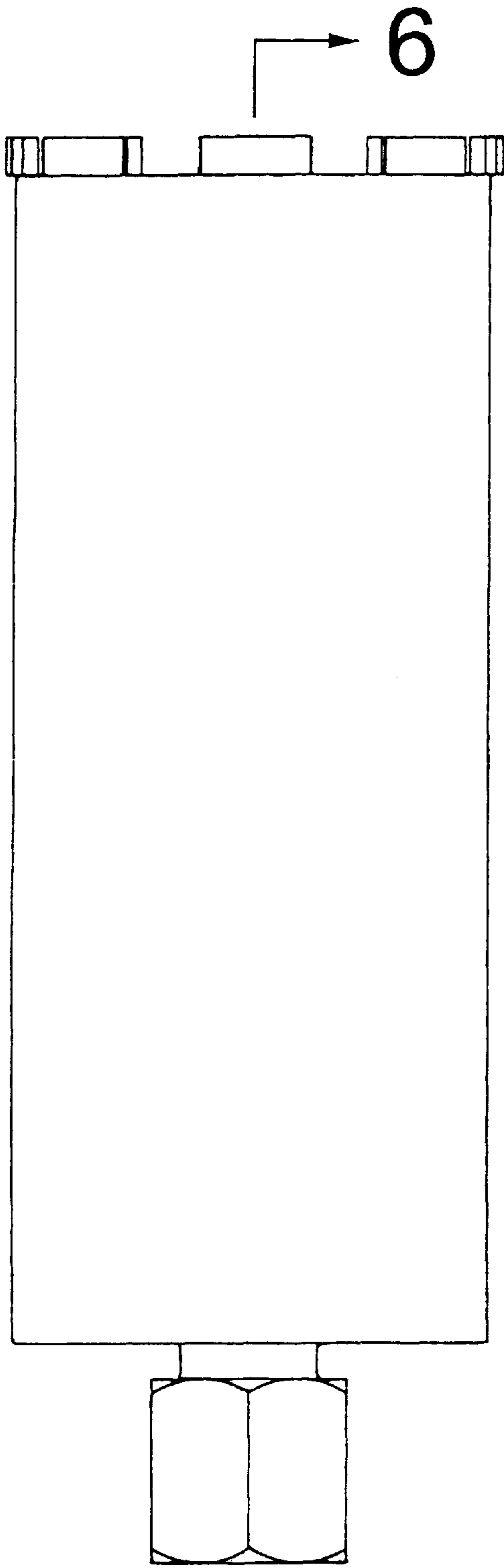


FIG. 2

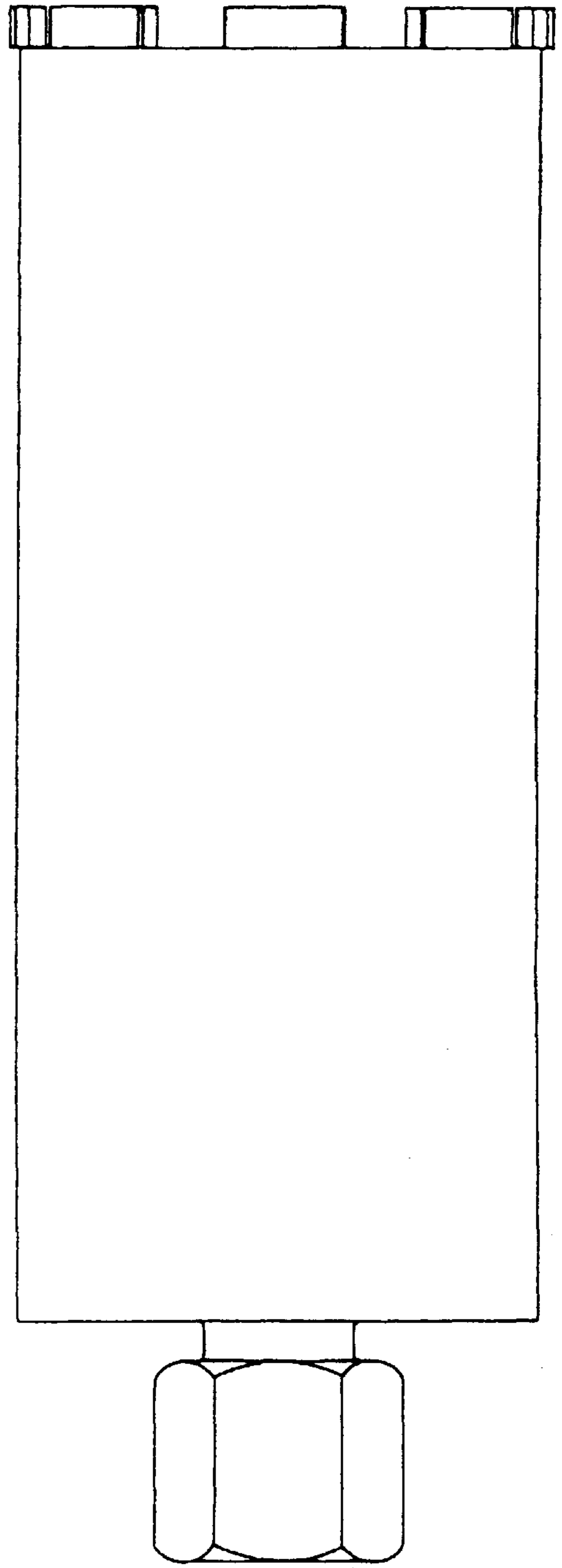


FIG. 3

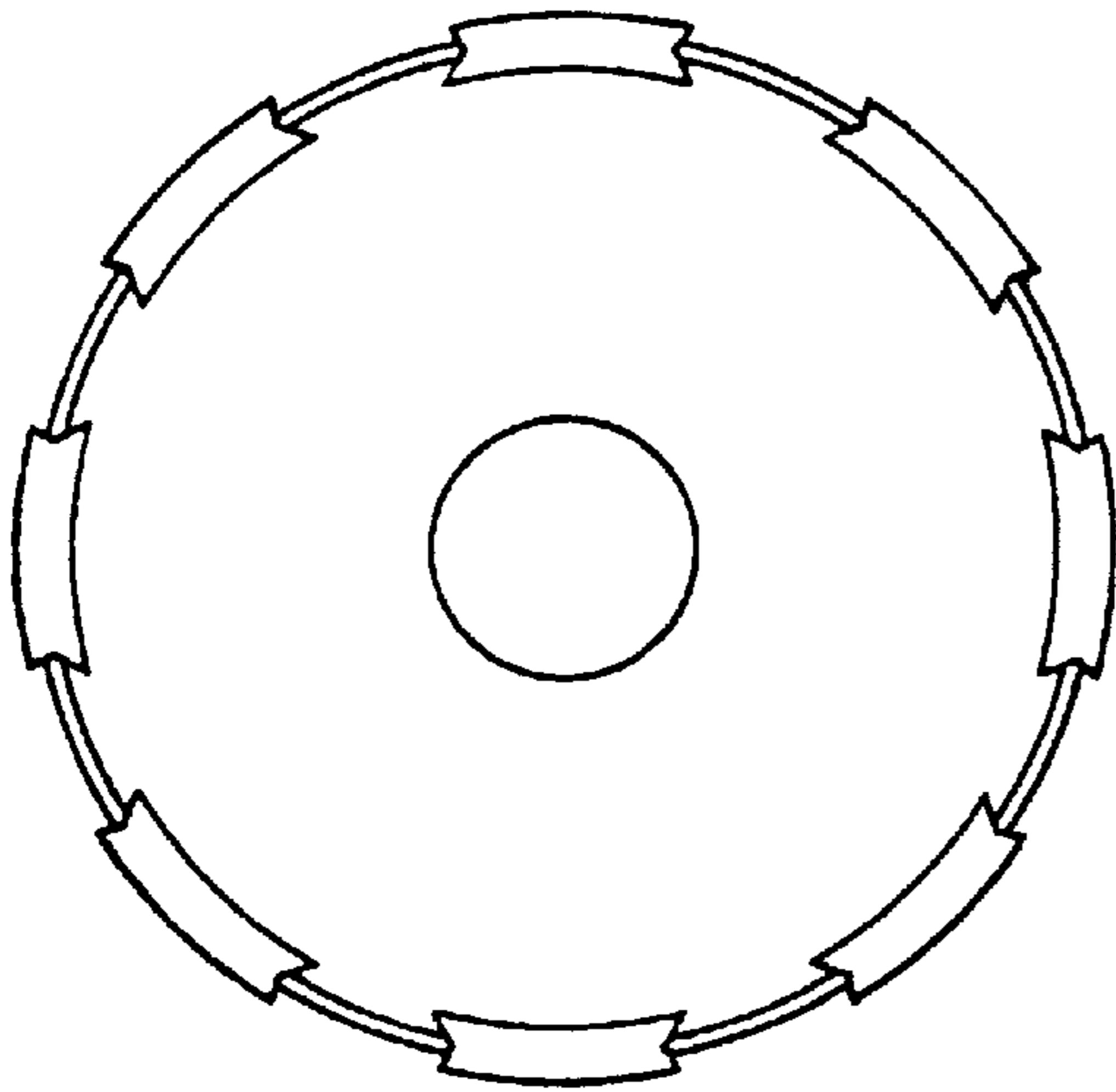


FIG. 4

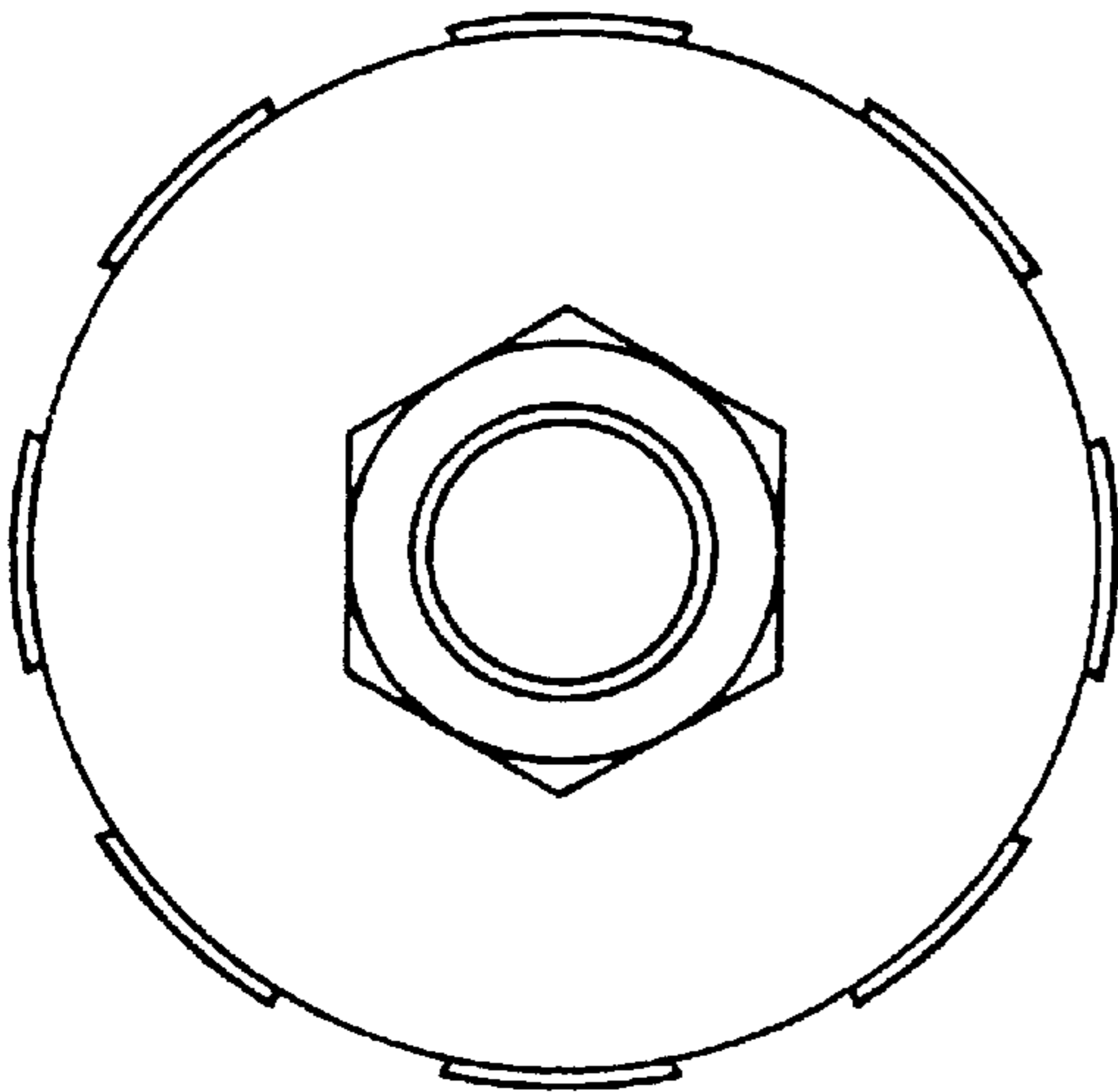


FIG. 5

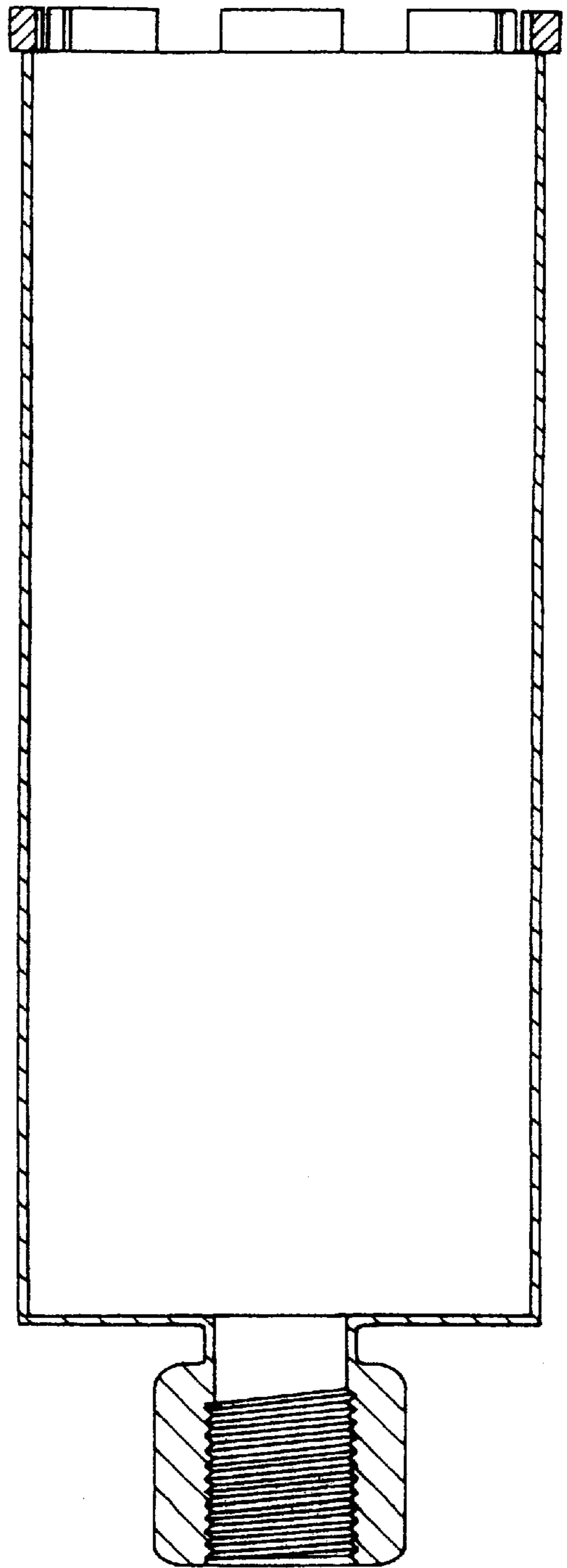


FIG. 6

UNITED STATES PATENT AND TRADEMARK OFFICE
CERTIFICATE OF CORRECTION

PATENT NO. : Des. 466,139 S
DATED : November 26, 2002
INVENTOR(S) : See Hyung Kim et al.

Page 1 of 1

It is certified that error appears in the above-identified patent and that said Letters Patent is hereby corrected as shown below:

Title page,

DESCRIPTION, of Fig. 6, "drill of FIG. 1" should read -- drill of FIG. 2 --.

Signed and Sealed this

First Day of July, 2003

A handwritten signature in black ink, appearing to read "James E. Rogan", written over a horizontal line.

JAMES E. ROGAN
Director of the United States Patent and Trademark Office