



US00D466138S

(12) **United States Design Patent**
Baldonado et al.

(10) **Patent No.:** **US D466,138 S**

(45) **Date of Patent:** **** Nov. 26, 2002**

(54) **ICE CREAM MAKER**

(75) Inventors: **Brad Baldonado**, Chicago, IL (US);
Todd Hannon, Burlington, WI (US);
Tom Chrisman, Villa Park, IL (US)

(73) Assignee: **Giftcraft Ltd.**, Ontario (CA)

(**) Term: **14 Years**

(21) Appl. No.: **29/143,379**

(22) Filed: **Jun. 11, 2001**

(30) **Foreign Application Priority Data**

Jan. 9, 2001 (CA) 2001-0045

(51) **LOC (7) Cl.** **15-07**

(52) **U.S. Cl.** **D15/82**

(58) **Field of Search** D15/82; D7/602,
D7/605; 62/76, 305, 309, 342, 345, 374,
376

(56) **References Cited**

U.S. PATENT DOCUMENTS

3,780,536 A * 12/1973 Fishman et al. 62/342

D293,448 S * 12/1987 Uesaka D15/82

D321,697 S * 11/1991 Blaustein et al. D15/82

D383,471 S * 9/1997 Hsu D15/82

6,301,919 B1 * 10/2001 Blaustein et al. 62/345

* cited by examiner

Primary Examiner—Mitchell Siegel

(74) *Attorney, Agent, or Firm*—Dorsey & Whitney LLP;
Robert B. Chickering, Esq.

(57) **CLAIM**

We claim the ornamental design for a ice cream maker, as shown.

DESCRIPTION

FIG. 1—is a front prospective view of an ice cream maker showing our new design;

FIG. 2—is a side elevational view thereof;

FIG. 3—is a top view thereof;

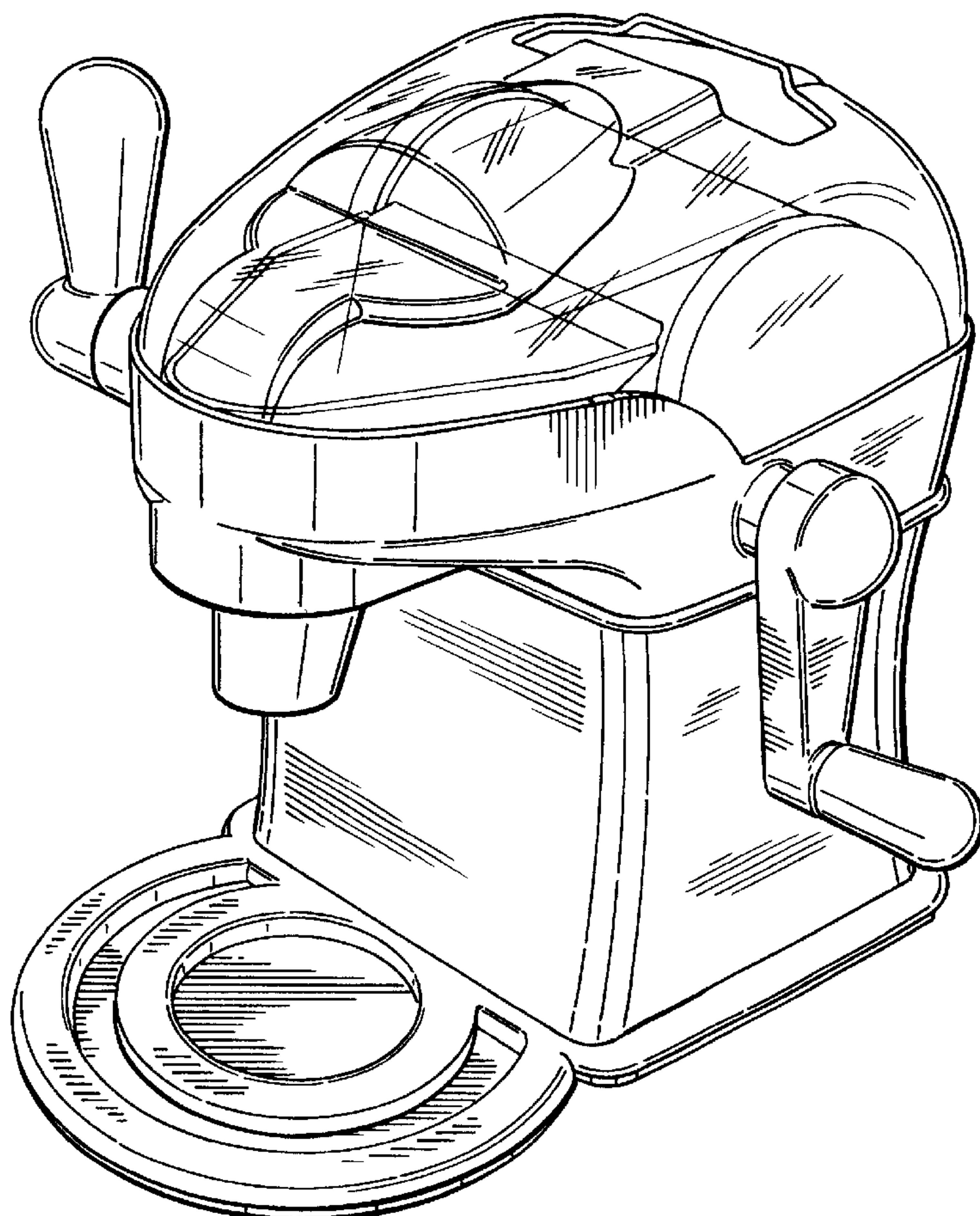
FIG. 4—is an end elevational view;

FIG. 5—is a side elevational view, the side being the opposite to that shown in FIG. 2;

FIG. 6—is an end elevational view, the end being the opposite to that shown in FIG. 4; and,

FIG. 7—is a bottom view thereof.

1 Claim, 4 Drawing Sheets



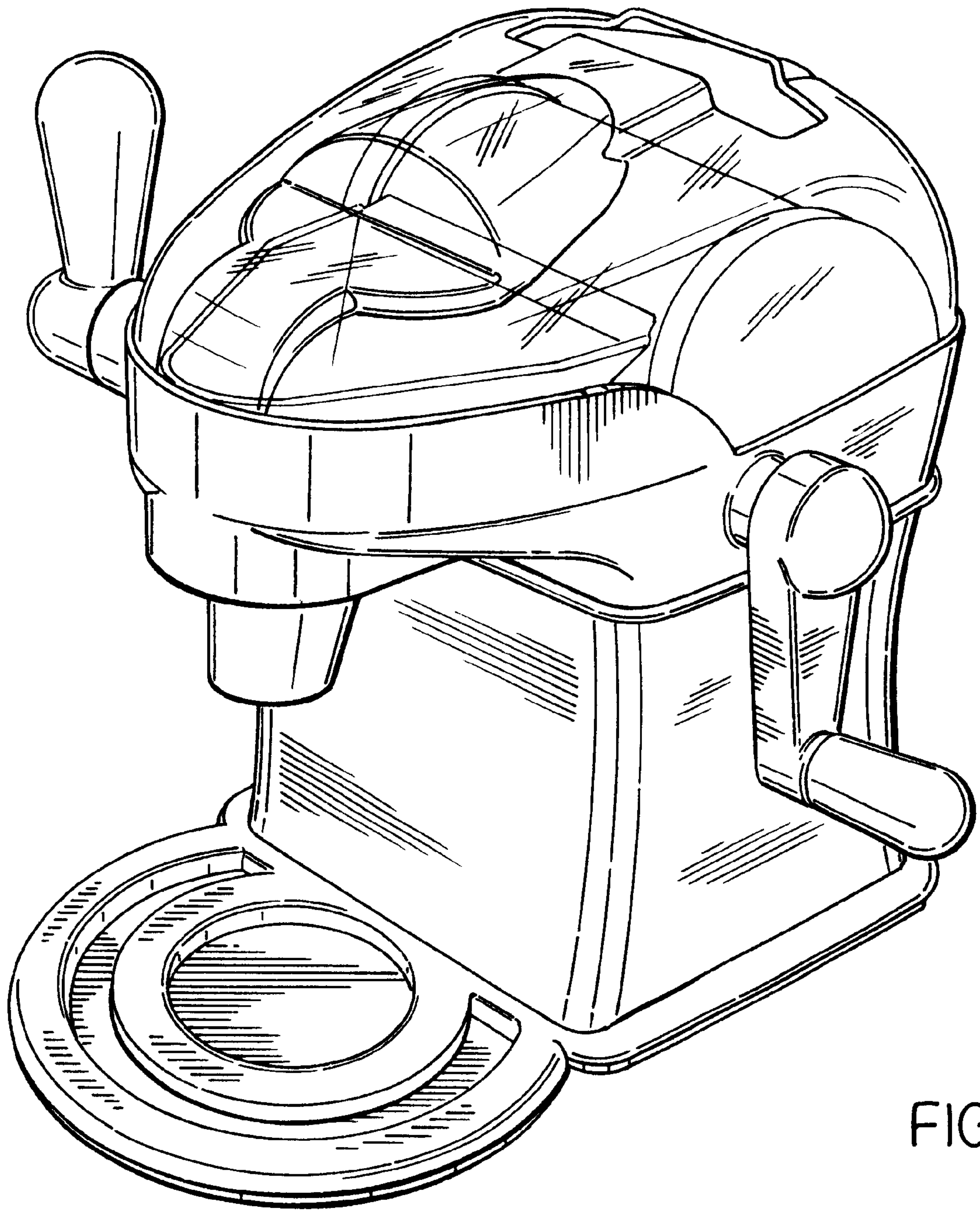


FIG. 1.

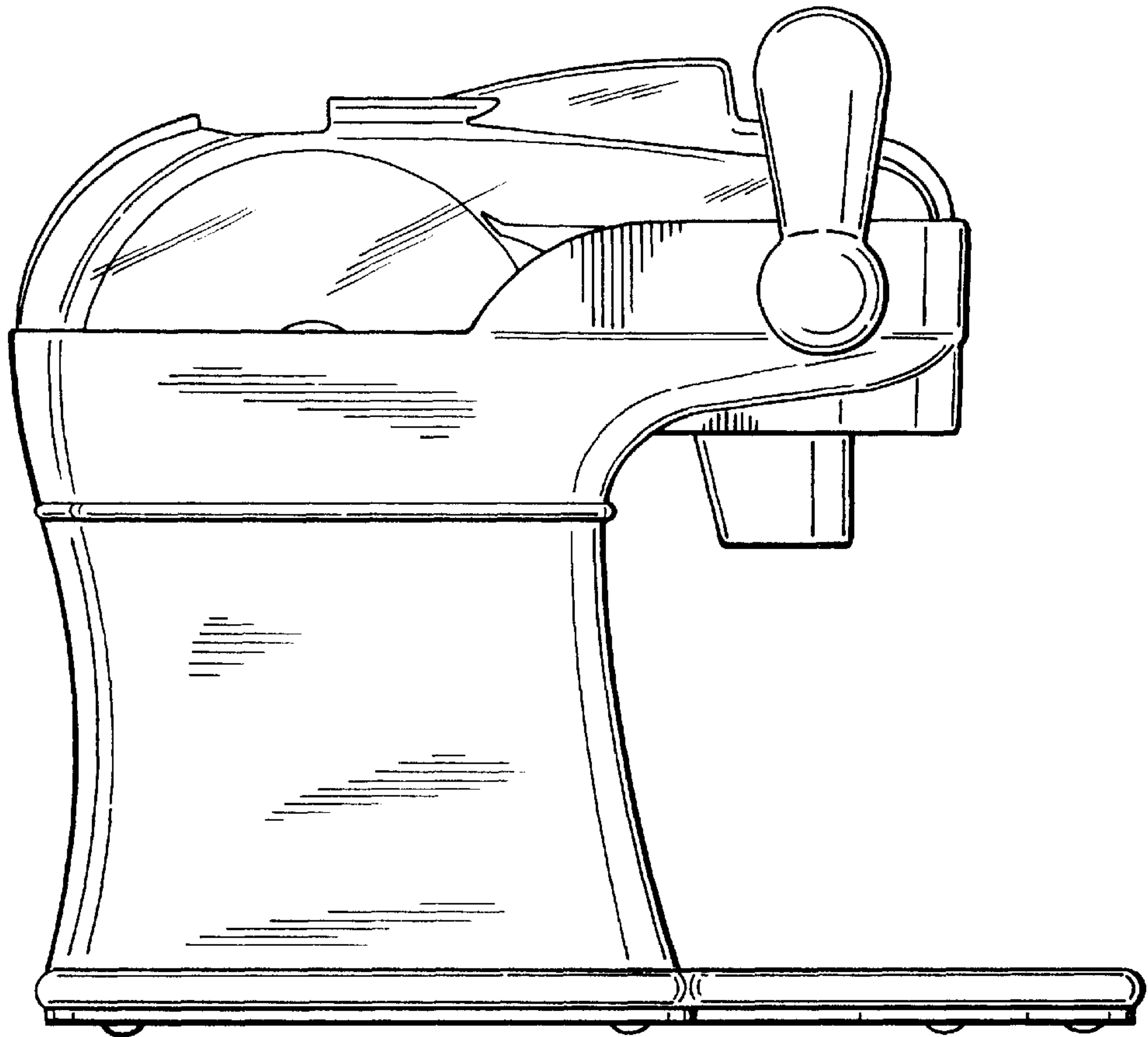


FIG. 2.

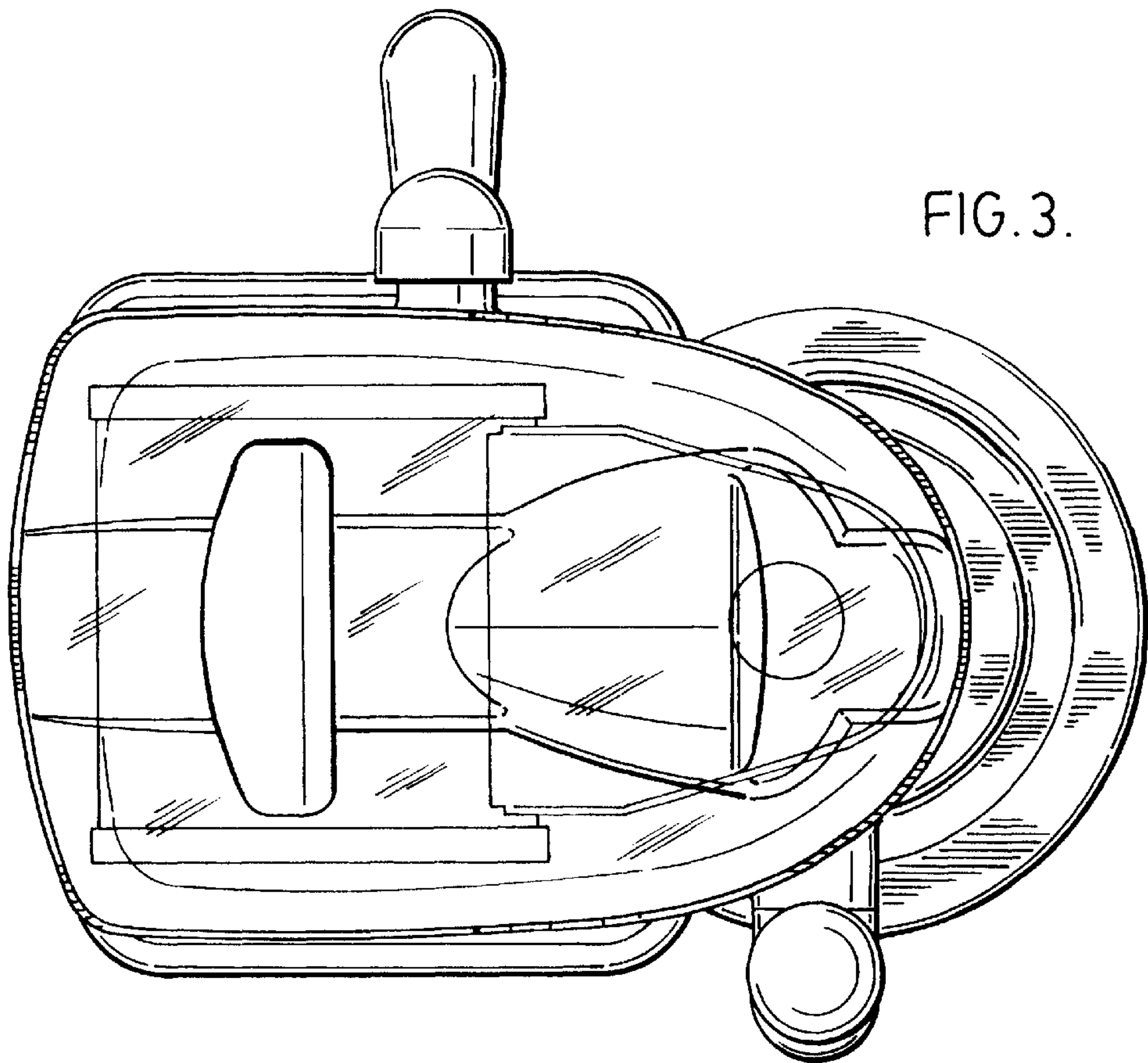


FIG. 3.

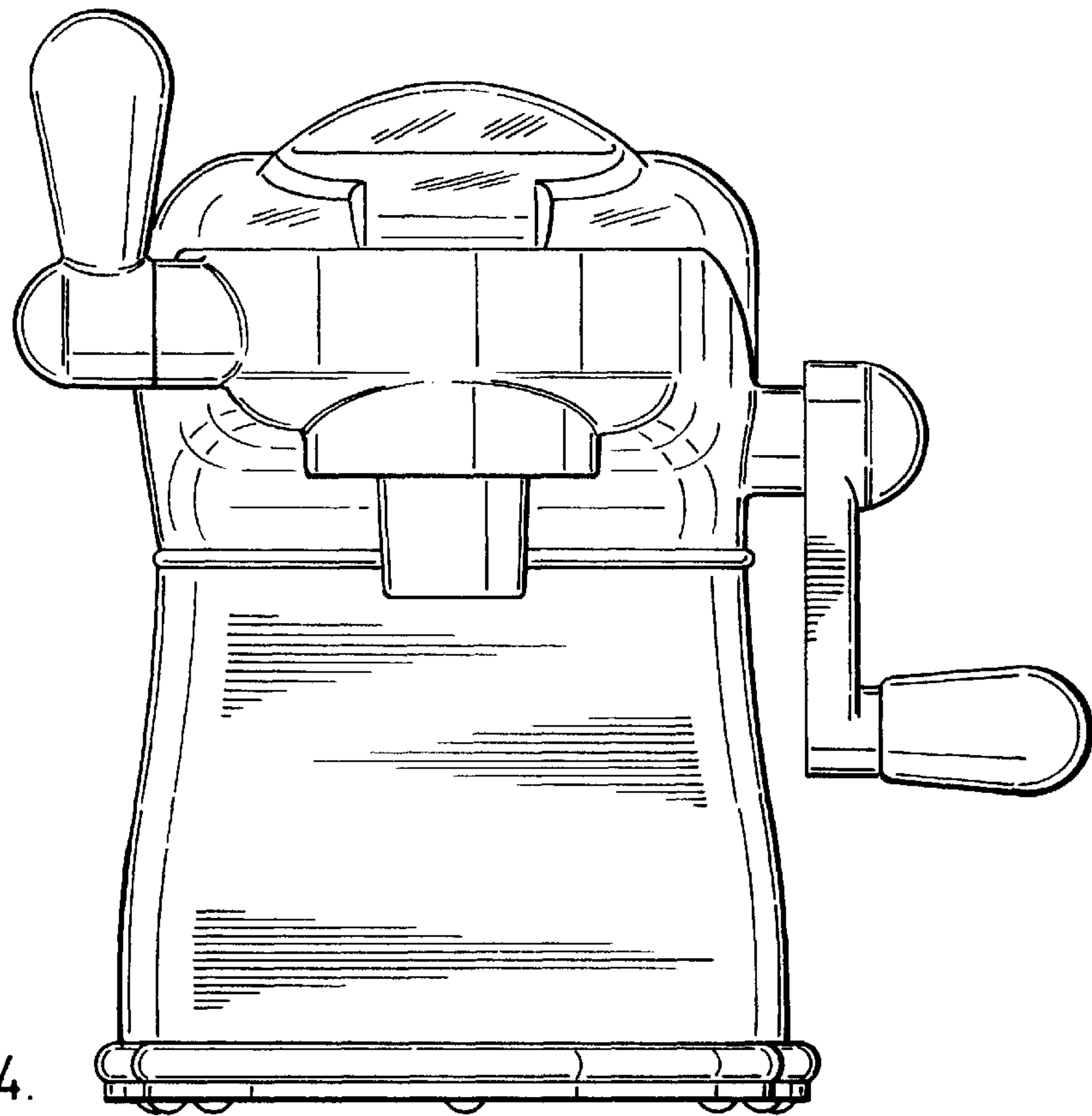


FIG. 4.

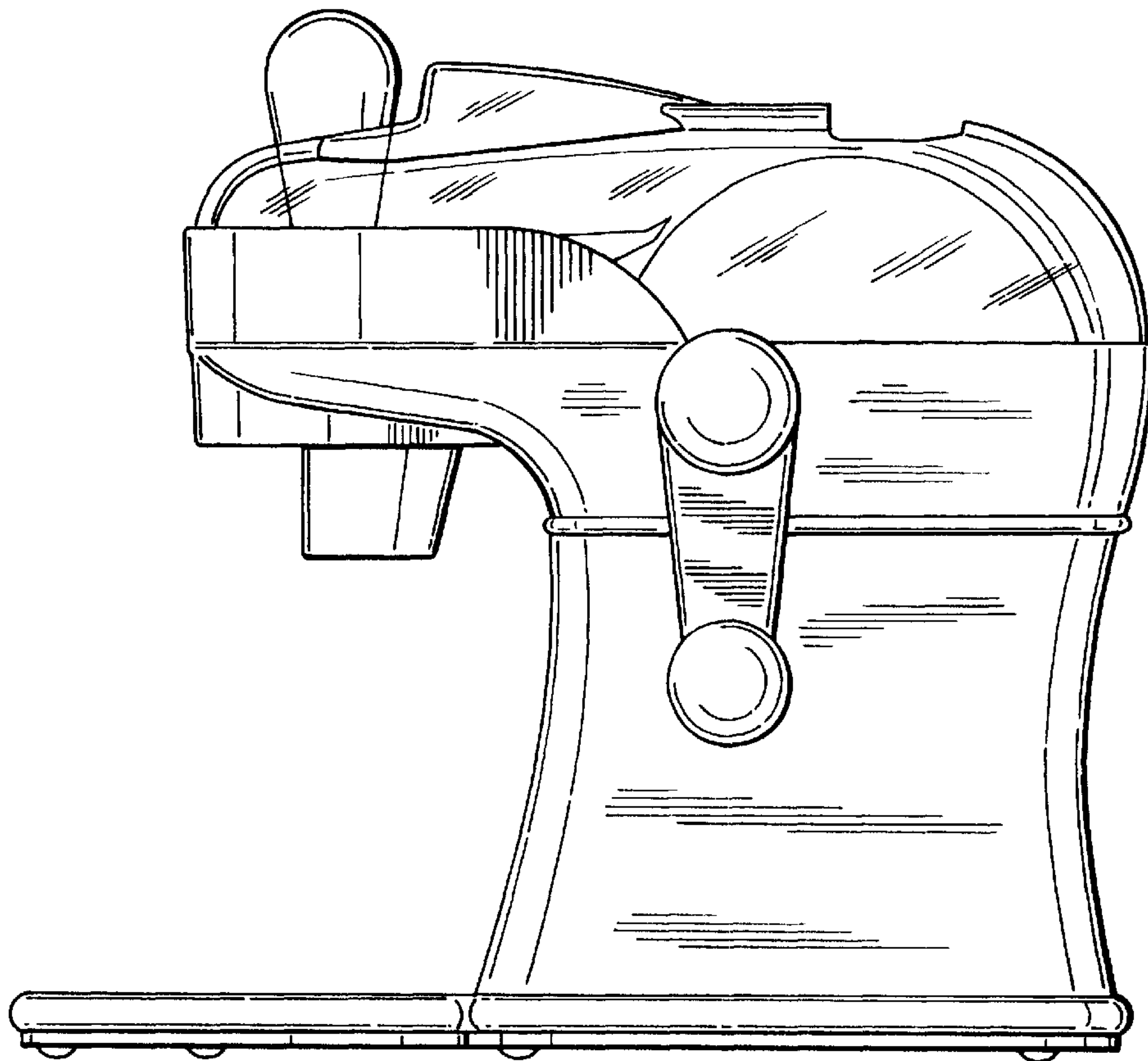


FIG. 5.

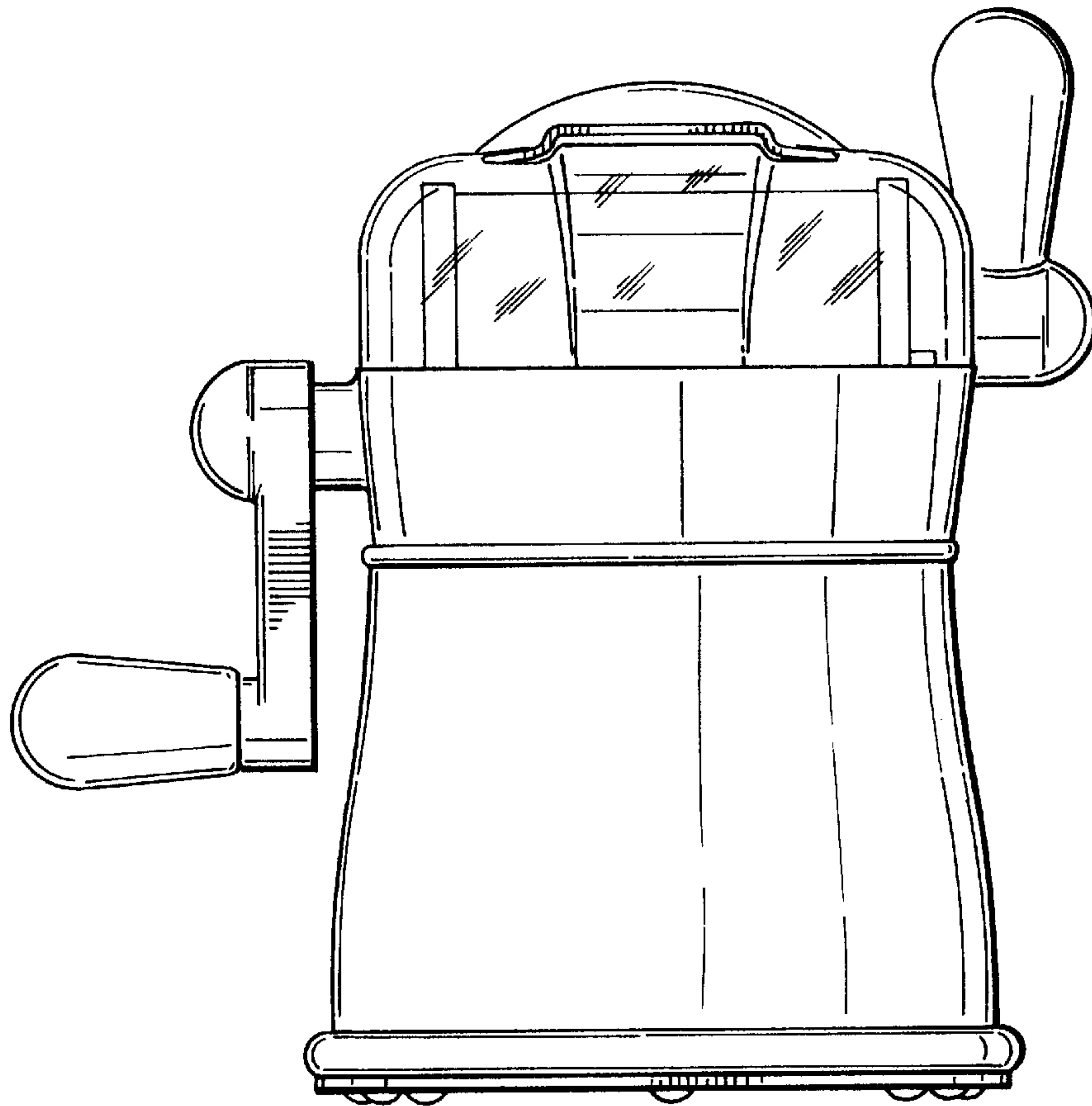


FIG. 6.

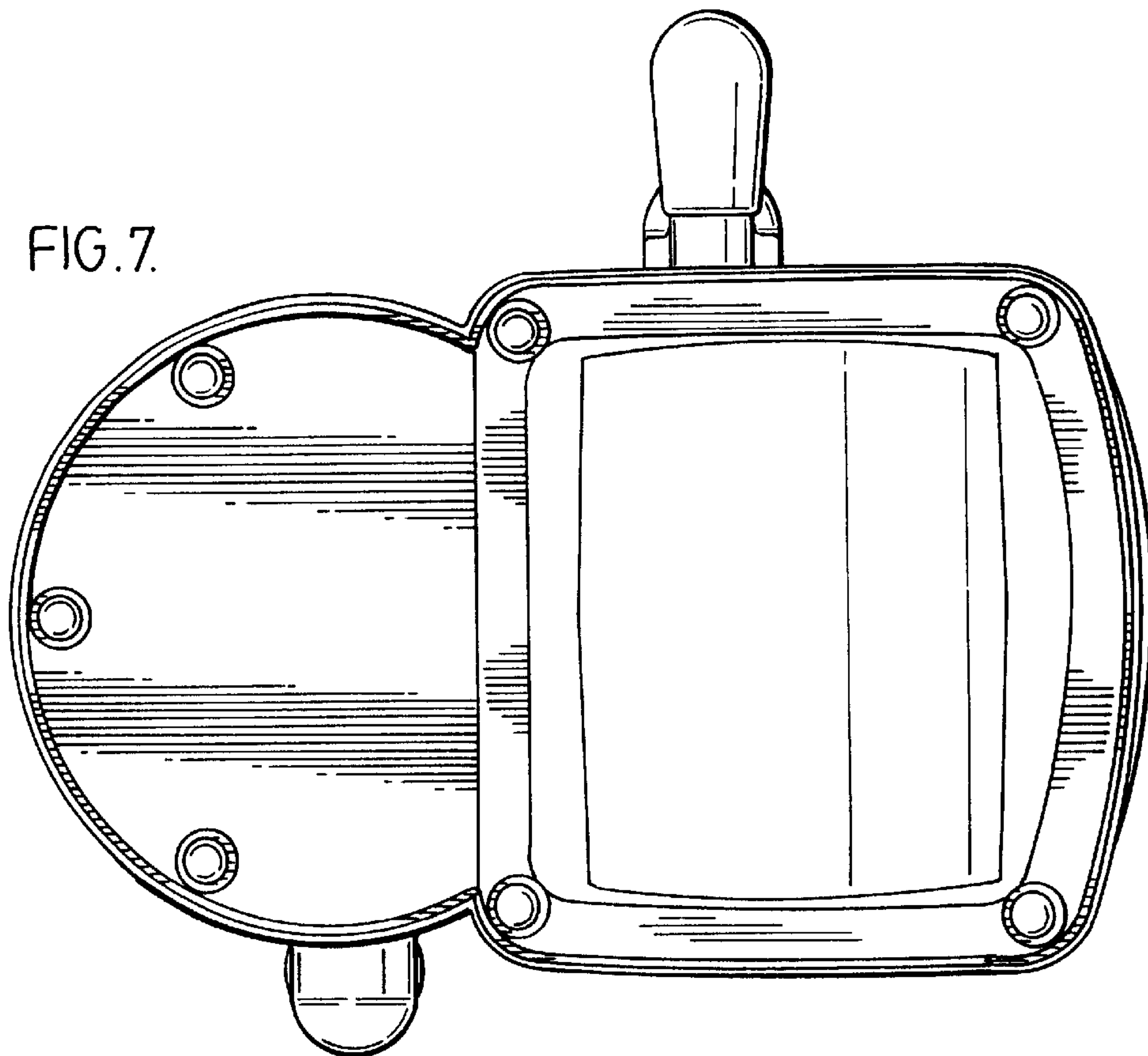


FIG. 7.