



US00D466137S

(12) **United States Design Patent**  
**Yamamoto et al.**

(10) **Patent No.:** **US D466,137 S**

(45) **Date of Patent:** **\*\* Nov. 26, 2002**

(54) **DISPLAY FOR A SEWING MACHINE**

(75) Inventors: **Naomi Yamamoto**, Nagoya (JP);  
**Shintaro Tomita**, Nagoya (JP)

(73) Assignee: **Brother Industries, Ltd.**, Nagoya (JP)

(\*\*) Term: **14 Years**

(21) Appl. No.: **29/145,603**

(22) Filed: **Jul. 27, 2001**

(30) **Foreign Application Priority Data**

Feb. 22, 2001 (JP) ..... 2001-004155  
Feb. 22, 2001 (JP) ..... 2001-004156  
Feb. 22, 2001 (JP) ..... 2001-004157

(51) **LOC (7) Cl.** ..... **15-06**

(52) **U.S. Cl.** ..... **D15/72**

(58) **Field of Search** ..... D15/72, 68-76;  
112/63, 258-261, 217.1, 219.4, 444

(56) **References Cited**

**U.S. PATENT DOCUMENTS**

D285,571 S \* 9/1986 Eguchi et al. .... D15/69

D290,368 S \* 6/1987 Eguchi ..... D15/69  
D317,453 S \* 6/1991 Uguchi ..... D15/70  
D347,847 S \* 6/1994 Eguchi ..... D15/69  
D450,720 S \* 11/2001 Kuroki ..... D15/69  
D459,369 S \* 6/2002 Yamamoto et al. .... D15/69

\* cited by examiner

*Primary Examiner*—Mitchell Siegel

(74) *Attorney, Agent, or Firm*—Oliff & Berridge, PLC

(57) **CLAIM**

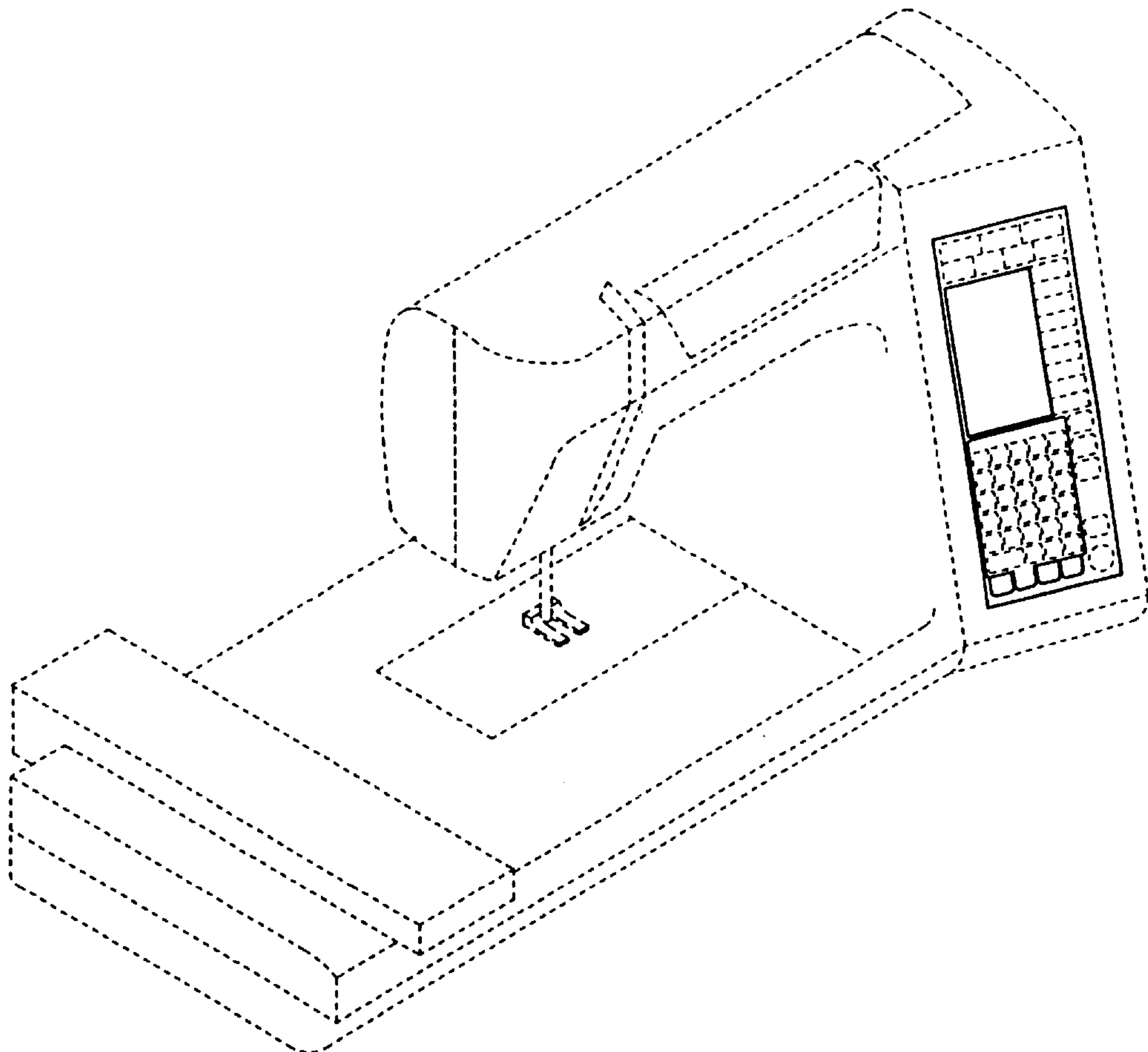
The ornamental design for display for a sewing machine, as shown and described.

**DESCRIPTION**

FIG. 1 is a front view of a display for a sewing machine;  
FIG. 2 is a left-side view thereof;  
FIG. 3 is a top view thereof;  
FIG. 4 is a perspective view thereof; and,  
FIG. 5 is an expanded view of the display of FIG. 1.

The broken lines define the bounds of the design but do not form part of the claimed design.

**1 Claim, 5 Drawing Sheets**



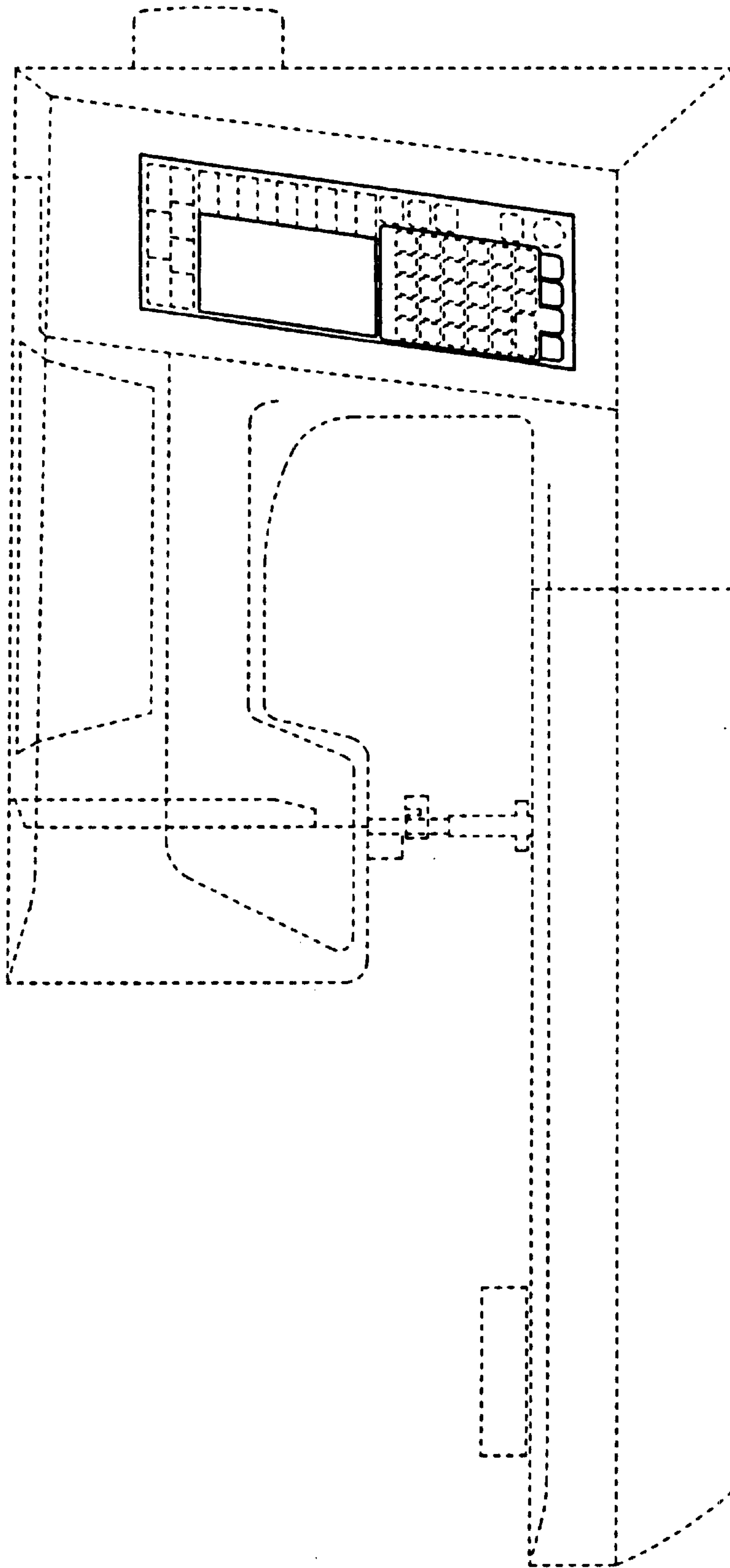


FIG. 1

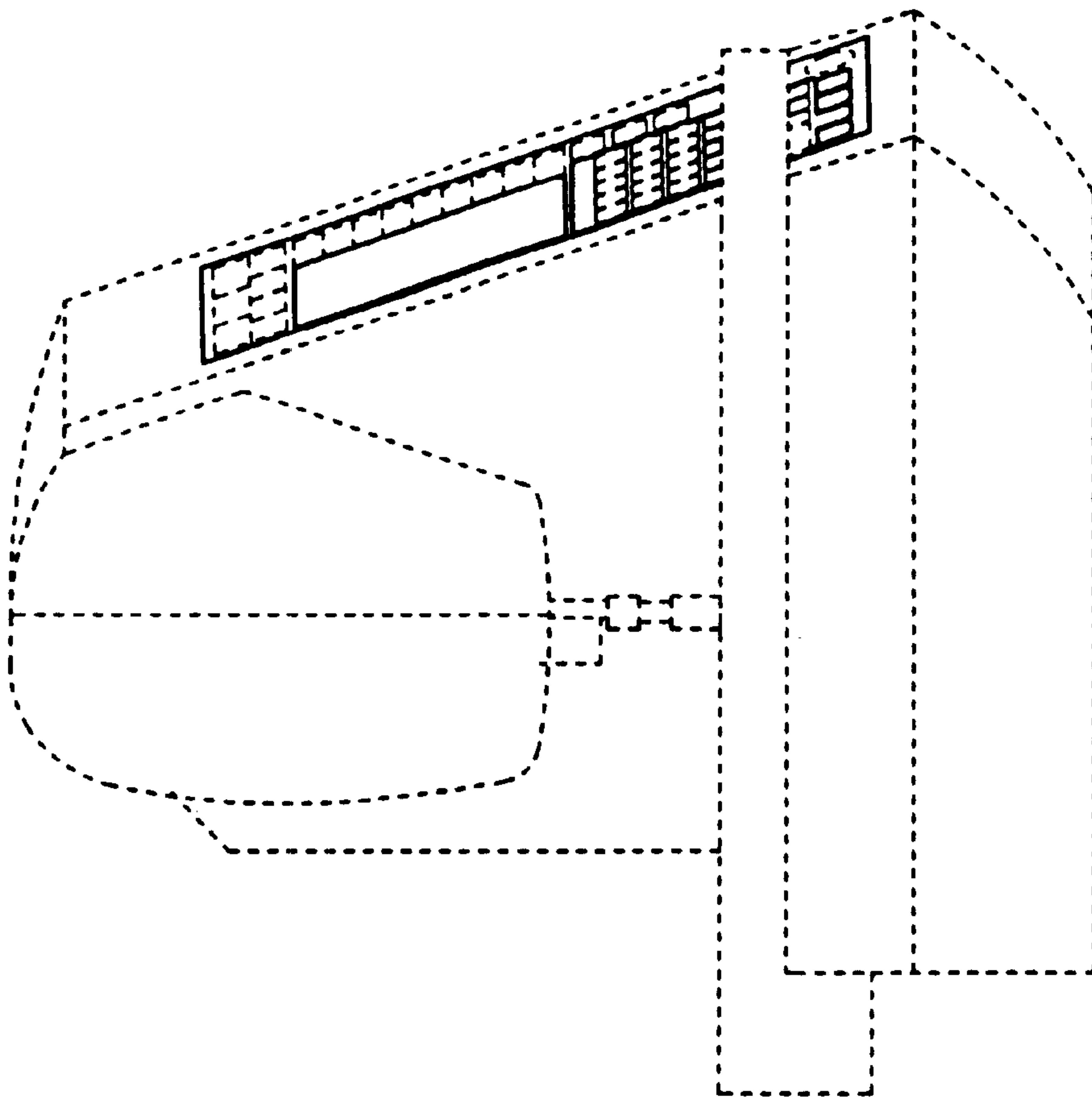


FIG. 2

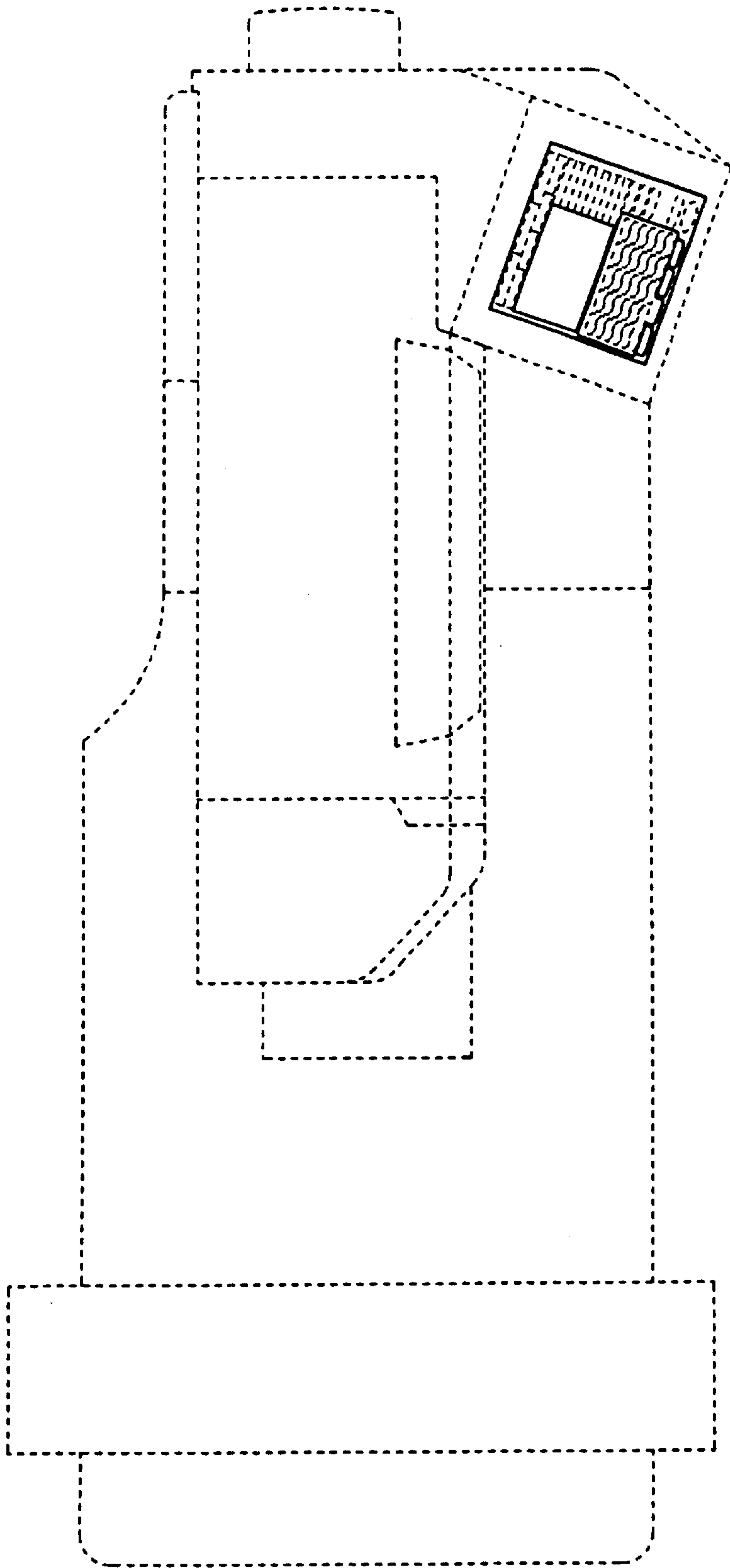


FIG. 3

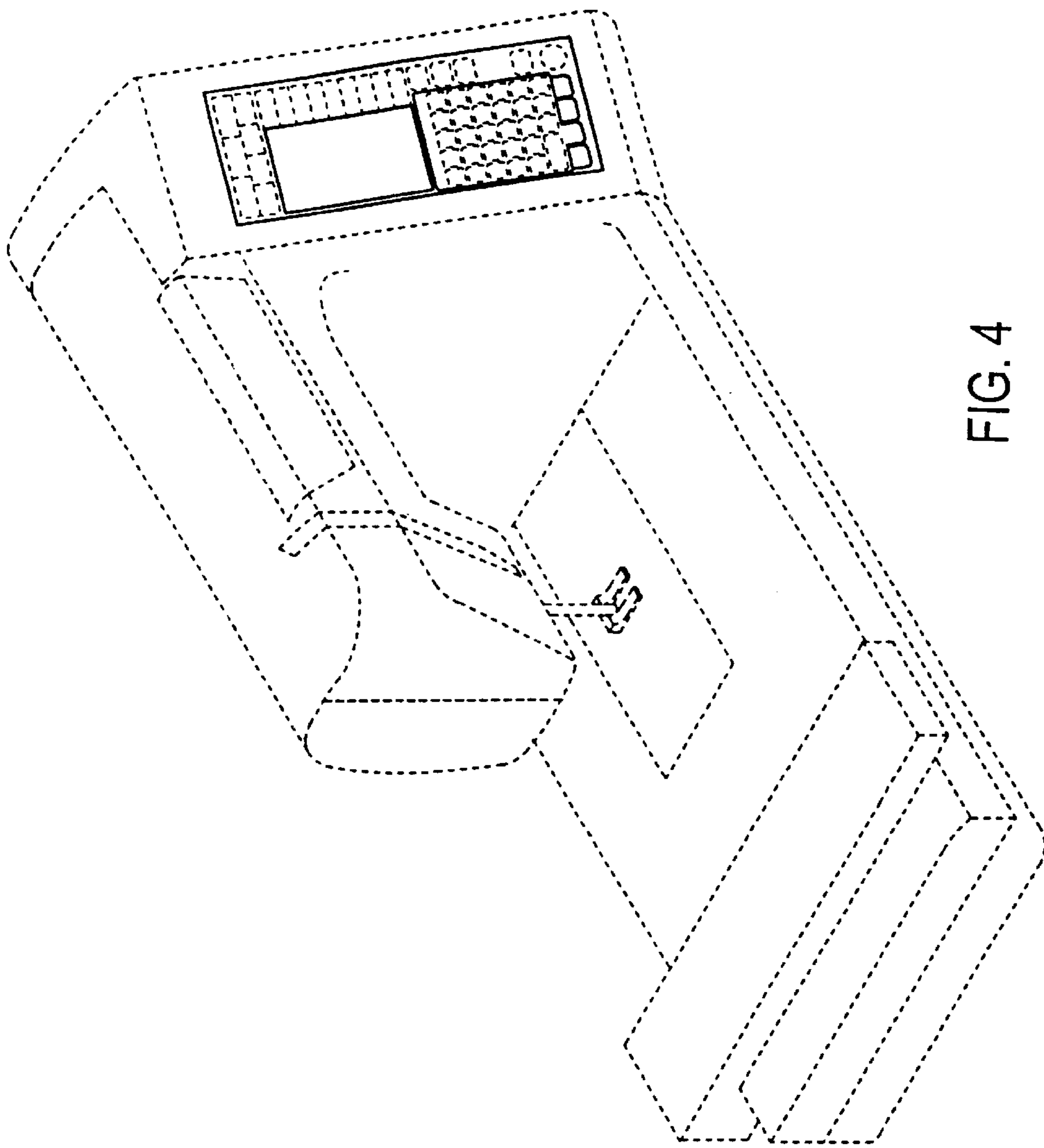


FIG. 4

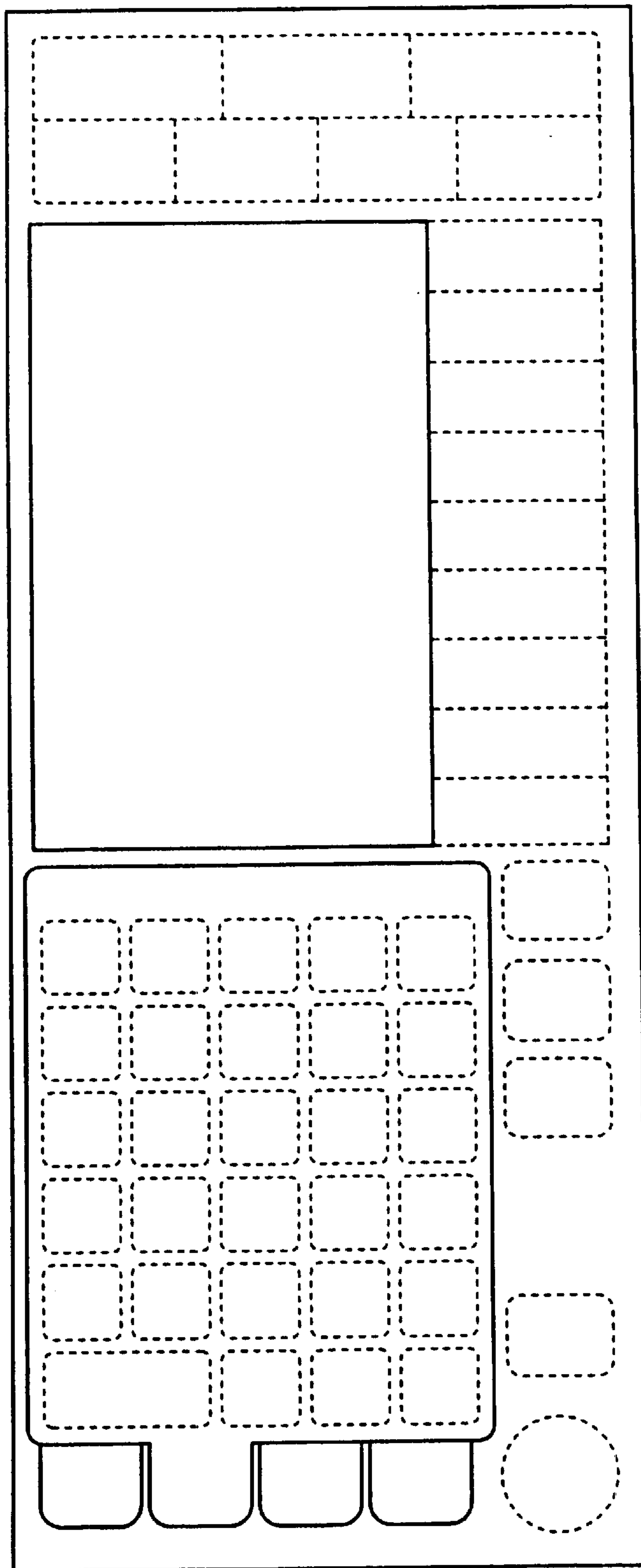


FIG. 5