



US00D466136S

(12) **United States Design Patent**
Lin

(10) **Patent No.:** **US D466,136 S**

(45) **Date of Patent:** **** Nov. 26, 2002**

(54) **OVERLOCK SEWING MACHINE**

(75) Inventor: **Jui-Wen Lin**, Ping-Jen (TW)

(73) Assignee: **Kaulin Mfg. Co., Ltd.**, Taipei (TW)

(**) Term: **14 Years**

(21) Appl. No.: **29/154,030**

(22) Filed: **Jan. 14, 2002**

(51) **LOC (7) Cl.** **15-06**

(52) **U.S. Cl.** **D15/69**

(58) **Field of Search** D15/66, 69-71;
112/258-262.1, 217.1-217.4

(56) **References Cited**

U.S. PATENT DOCUMENTS

D292,928 S	*	11/1987	Lo	D15/69
D359,741 S	*	6/1995	Sekiguti et al.	D15/70
D382,281 S	*	8/1997	Takada et al.	D15/69
D416,027 S	*	11/1999	Ueyama	D15/69

* cited by examiner

Primary Examiner—Mitchell Siegel

(74) *Attorney, Agent, or Firm*—Thomas Schneck

(57) **CLAIM**

The shape of the overlock sewing machine, as shown in the accompanying drawings.

DESCRIPTION

As shown in the drawings, the outer appearance of the subject design is novel and possess special visual effect; it is the best and most reasonable design to cope with its function, and the subject design has not been disclosed in any printed publication nor opened to the public before the application is filed and meets the requirements of the design patent.

FIG. 1 is the three dimensional view (from the front, left and top angle) of the present design;

FIG. 2 is the three dimensional view (from the rear, right and top angle) of the present design;

FIG. 3 is the front view of the present design;

FIG. 4 is the rear view of the present design;

FIG. 5 is the left side view of the present design;

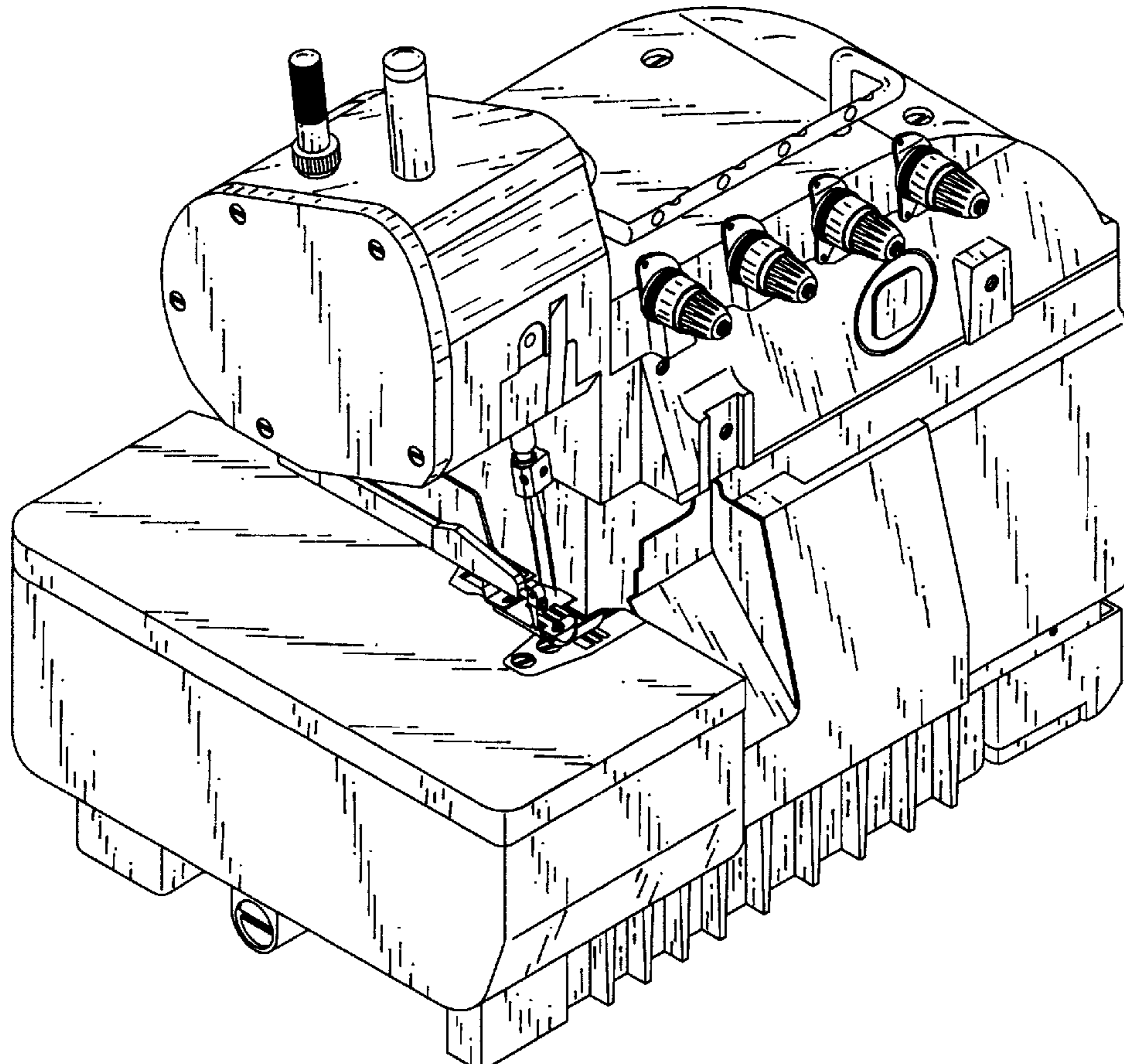
FIG. 6 is the right side view of the present design;

FIG. 7 is the top view of the present design; and,

FIG. 8 is the bottom view of the present design.

The subject creation relates to the ornamental shaping of an overlock sewing machine.

1 Claim, 8 Drawing Sheets



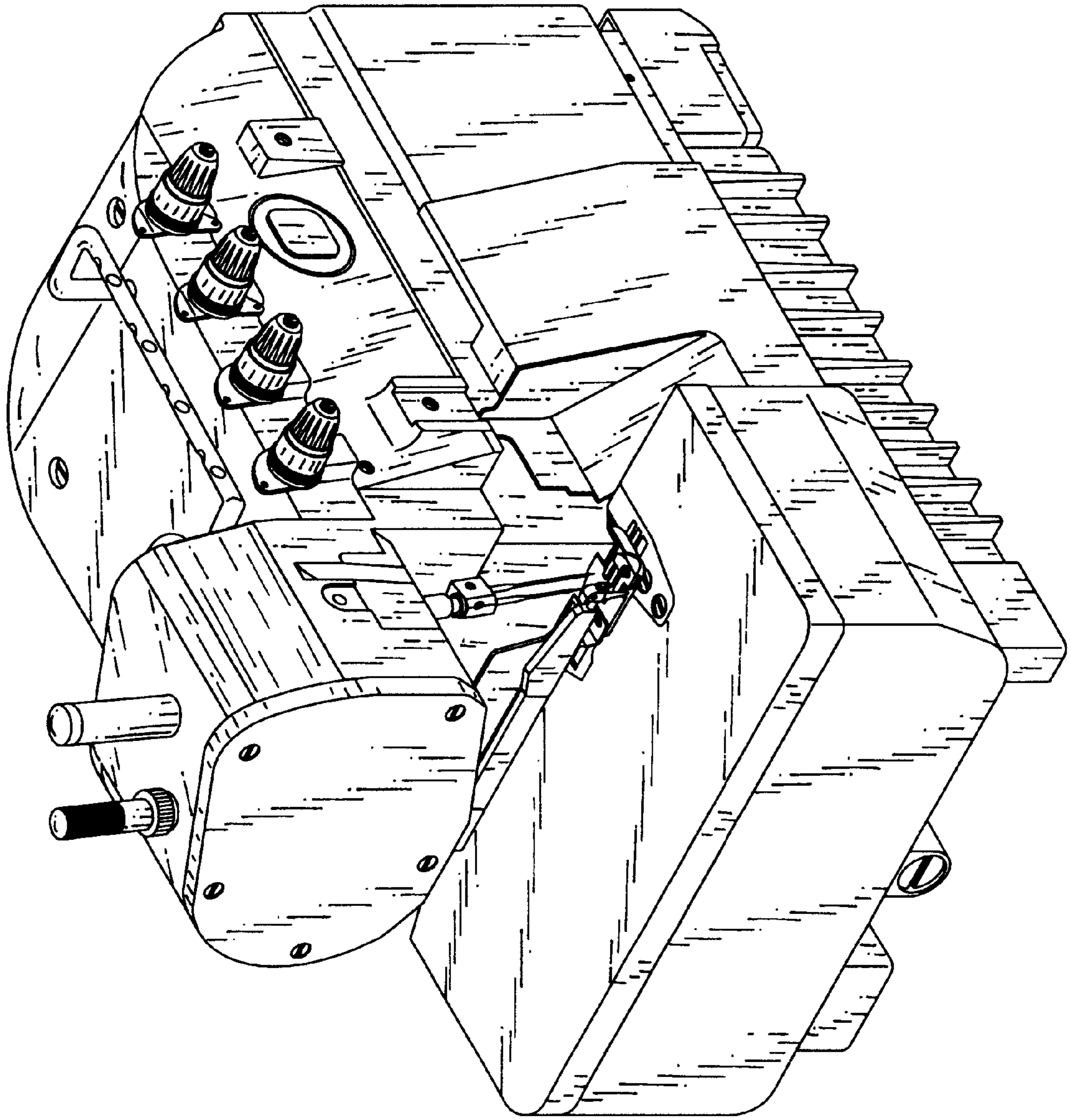


Fig. 1

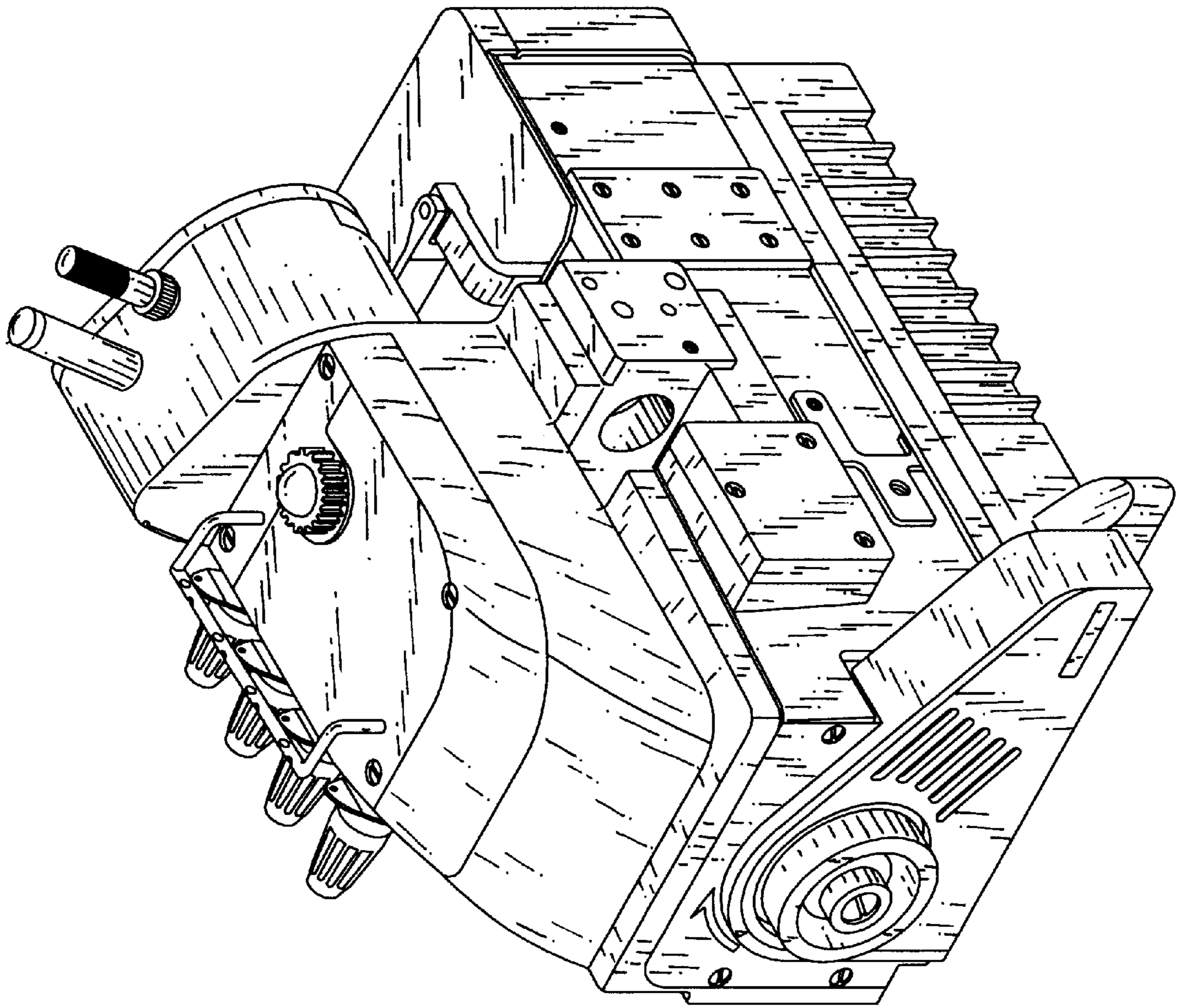


Fig. 2

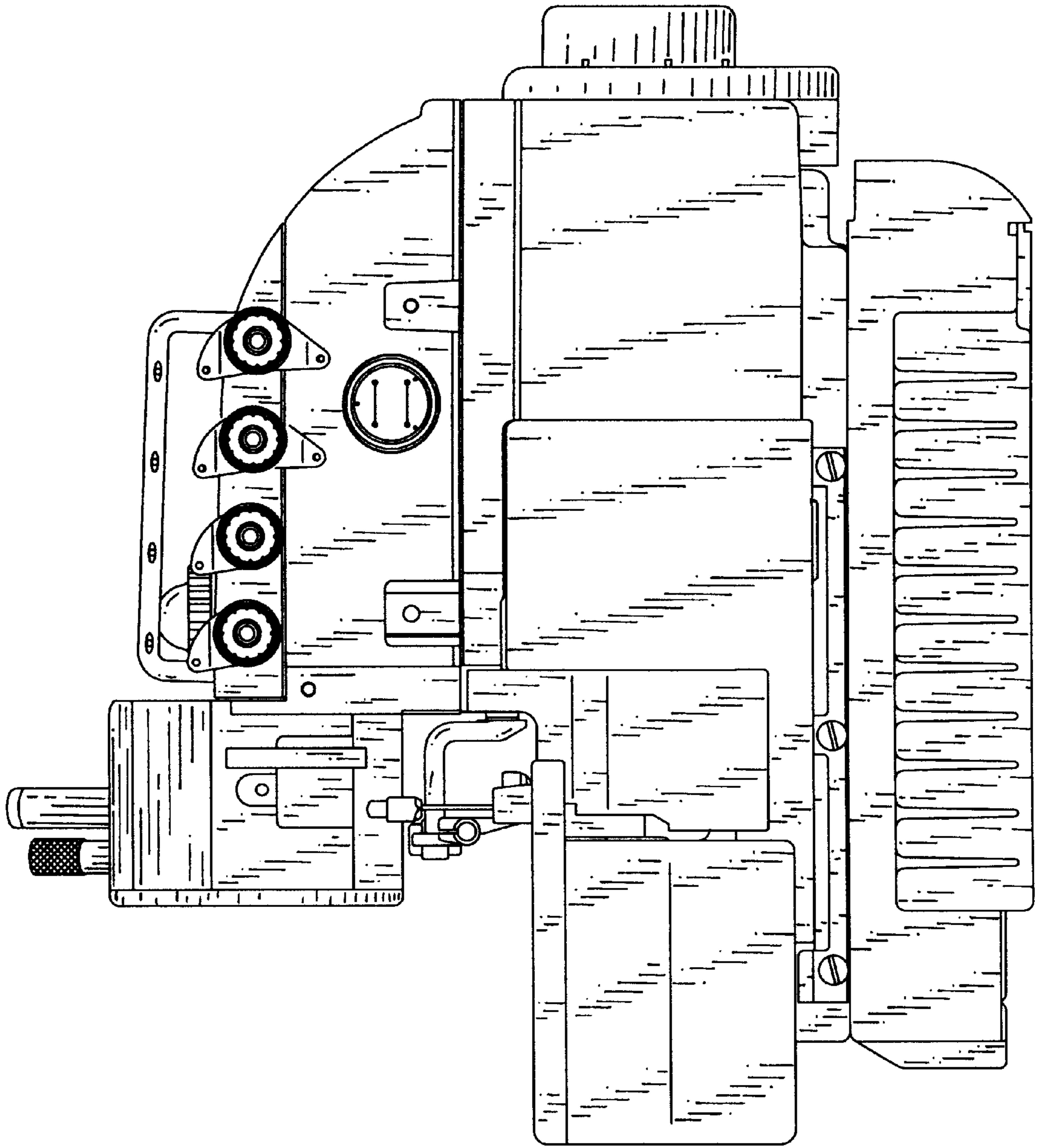


Fig. 3

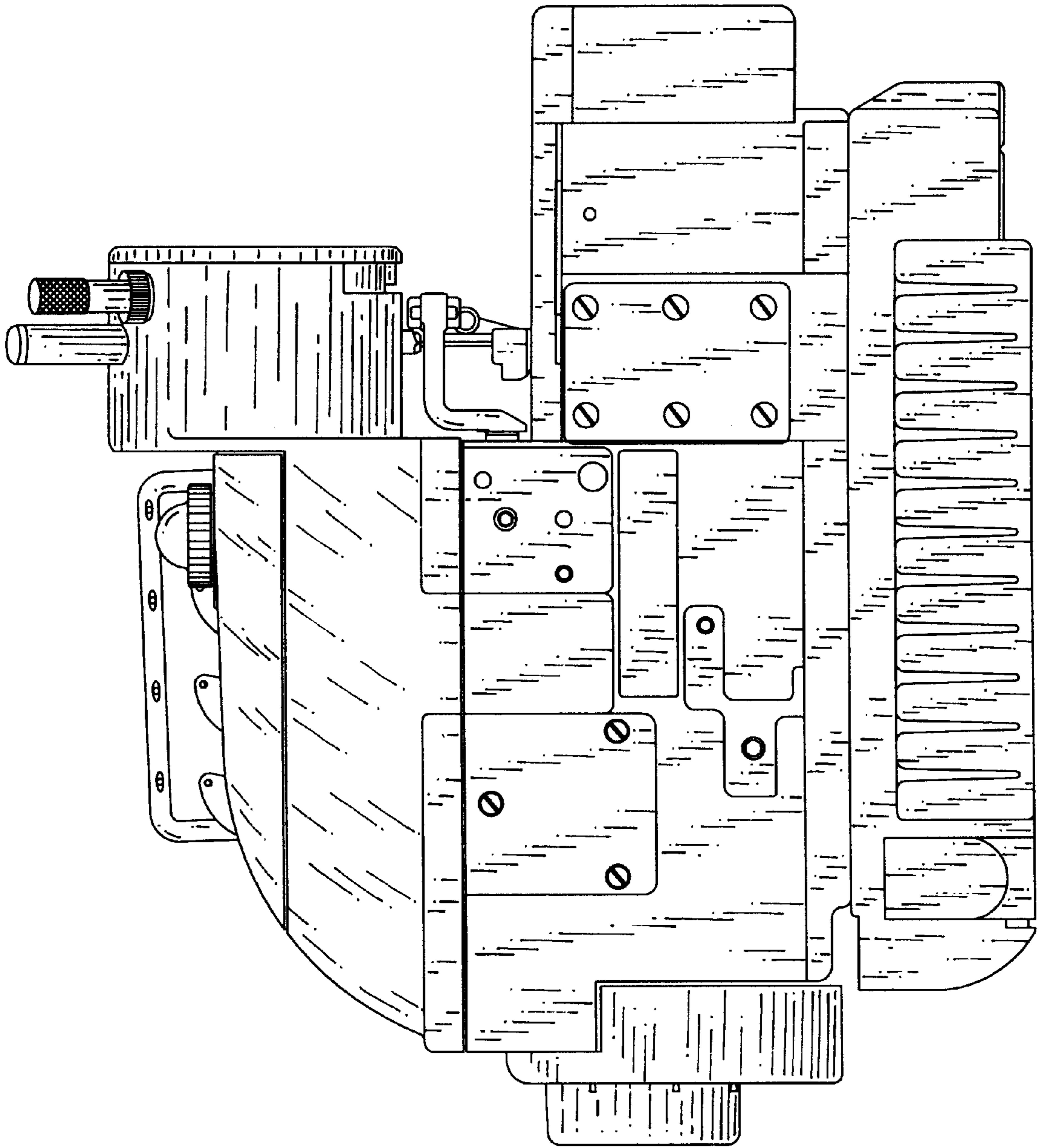


Fig. 4

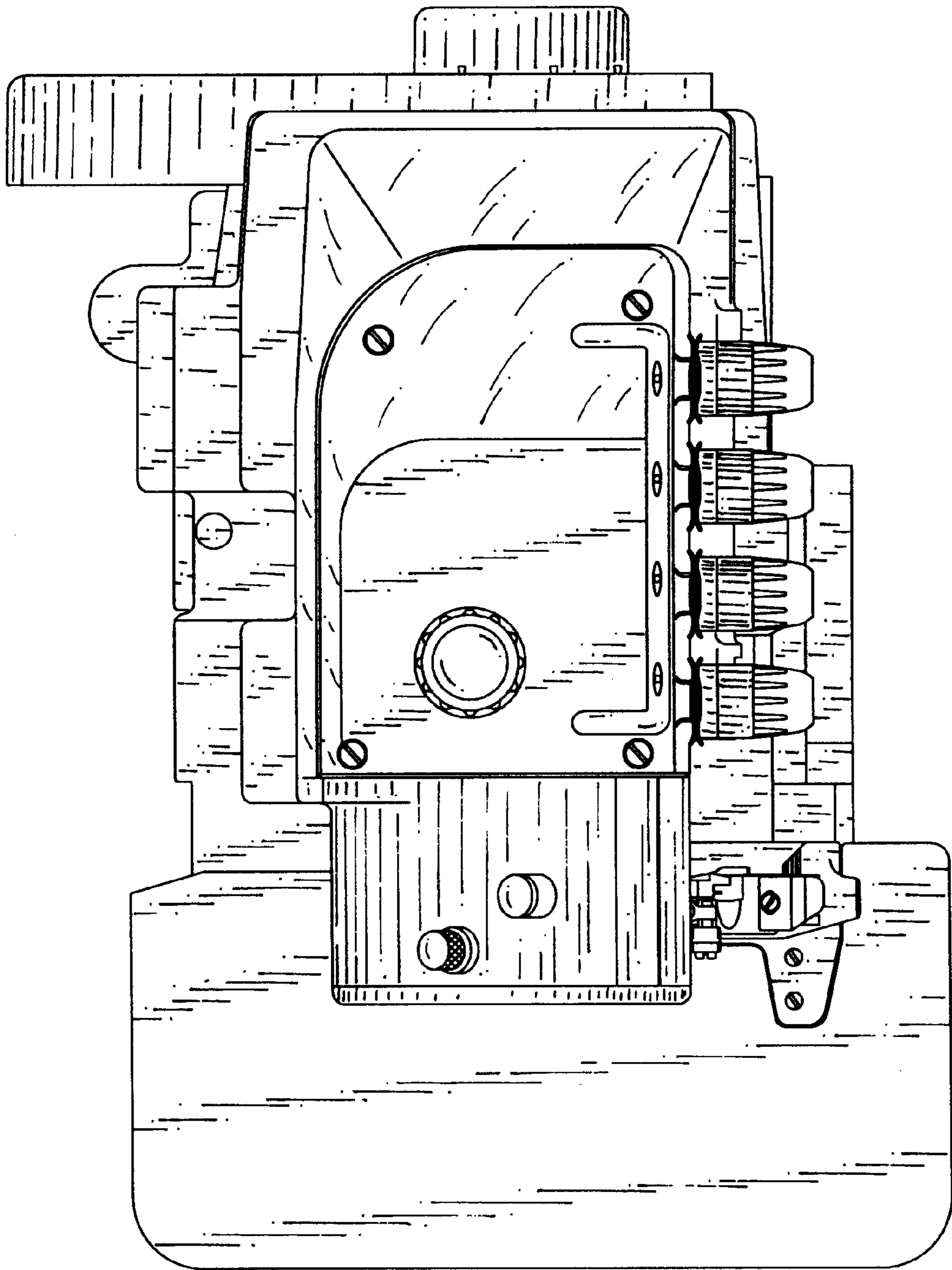


Fig. 5

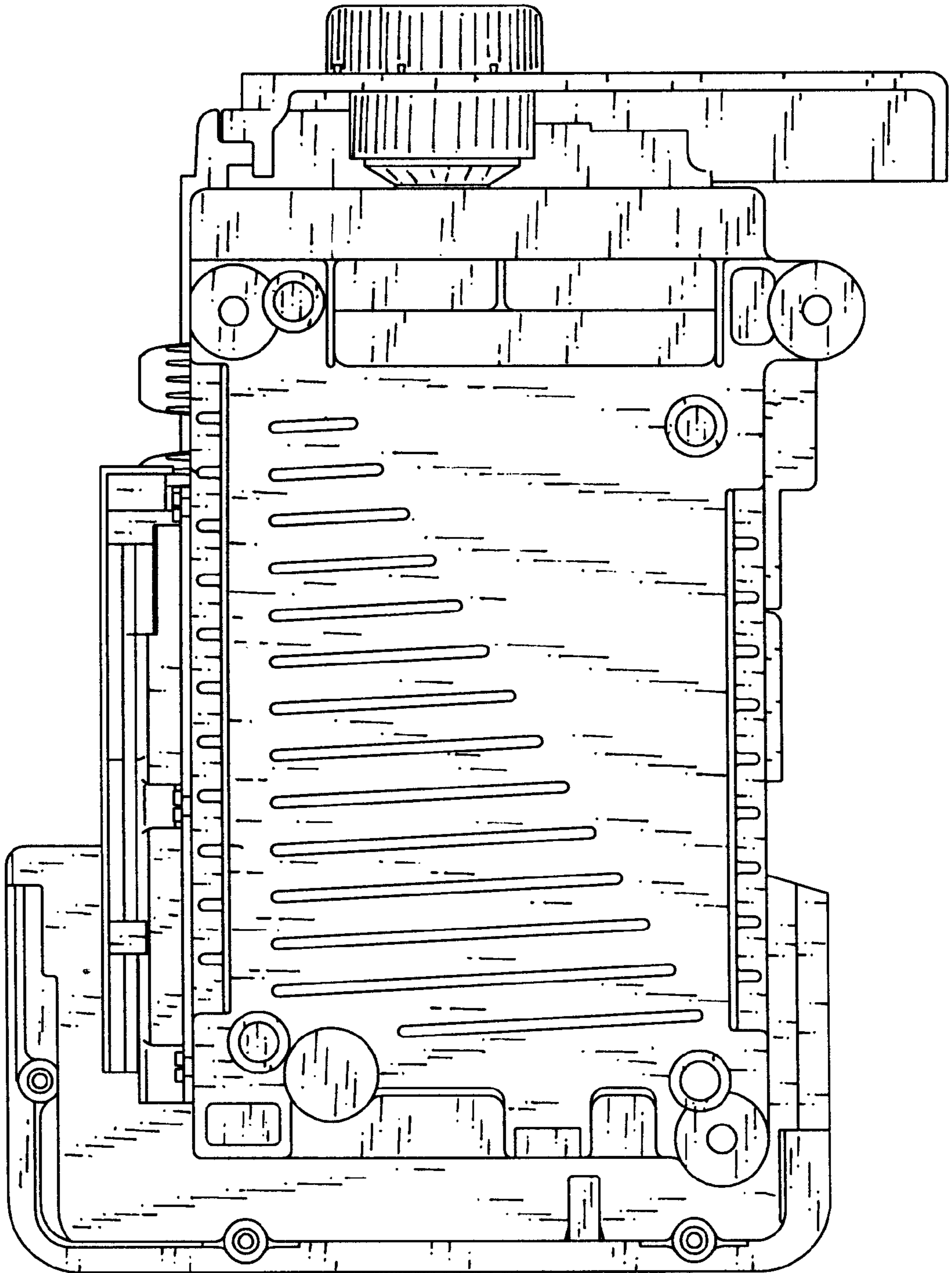


Fig. 6

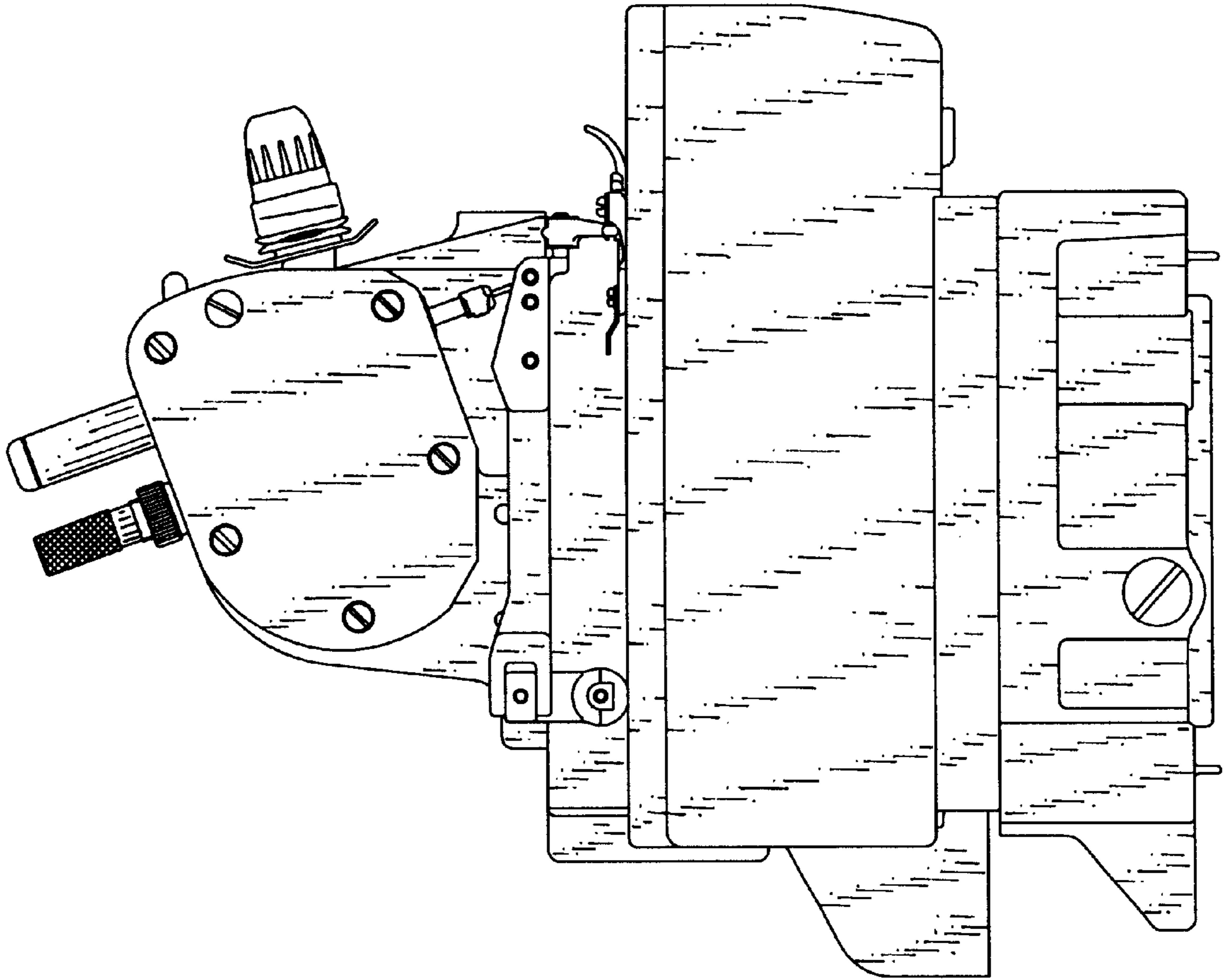


Fig. 7

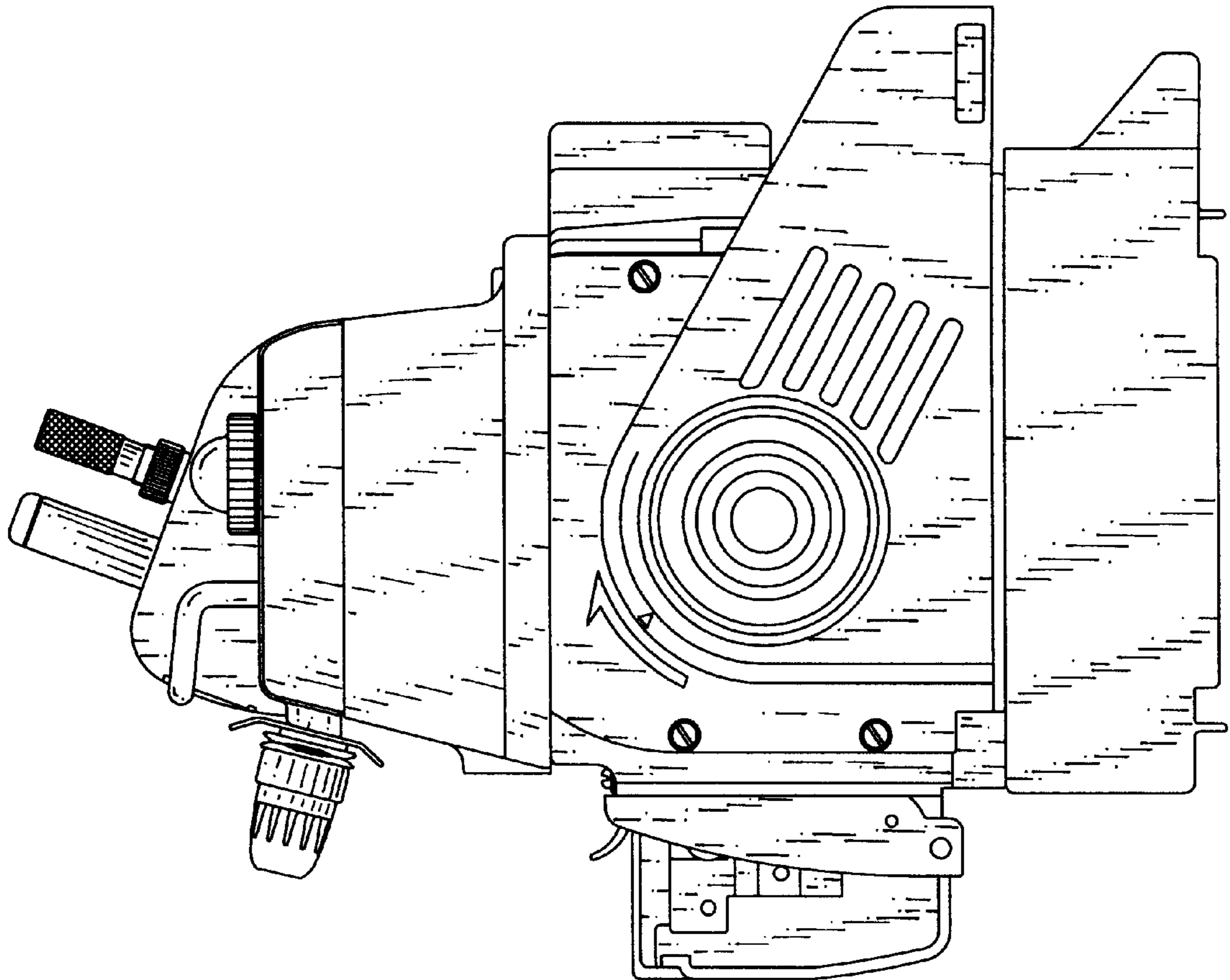


Fig. 8