

US00D466135S

(12) **United States Design Patent**  
**Spomer et al.**

(10) **Patent No.: US D466,135 S**

(45) **Date of Patent: \*\* Nov. 26, 2002**

(54) **FRAME FOR A WHEELED WORK MACHINE**

(75) Inventors: **Jon P. Spomer**, Bismarck, ND (US);  
**Jeffrey A. Dahl**, Lincoln, ND (US);  
**Dennis A. Fuller**, Bismarck, ND (US);  
**Kim M. Kolegraf**, Bismarck, ND (US);  
**David A. Owens**, Bismarck, ND (US)

(73) Assignee: **Clark Equipment Company**, Woodcliff Lake, NJ (US)

(\*\*) Term: **14 Years**

(21) Appl. No.: **29/149,633**

(22) Filed: **Oct. 12, 2001**

(51) **LOC (7) Cl. .... 12-08**

(52) **U.S. Cl. .... D15/33**

(58) **Field of Search** ..... D34/28, 35, 37;  
414/723, 479, 426; D15/28, 32, 30, 33

(56) **References Cited**

**U.S. PATENT DOCUMENTS**

D30,069 S	*	1/1899	Allen	.....	D15/33
D46,614 S	*	10/1914	Willis	.....	D15/33
2,362,994 A		11/1944	Frost	.....	214/78
D140,591 S	*	3/1945	Hollmann	.....	D15/33
D142,365 S		9/1945	Cooke	.....	D14/3
2,429,170 A		10/1947	Royle	.....	214/78
2,457,400 A		12/1948	Roos	.....	180/48
2,459,473 A		1/1949	Troutman	.....	214/78
RE23,166 E		11/1949	Owen	.....	214/78
D163,884 S		7/1951	Mandt	.....	D14/3
2,569,053 A		9/1951	Healy	.....	214/111
2,712,876 A		7/1955	Kuehn, Jr.	.....	214/78
2,818,983 A		1/1958	Freni	.....	214/78
2,845,192 A		7/1958	Klaus	.....	214/78
3,356,240 A		12/1967	Zink	.....	214/501
3,378,094 A		4/1968	Myers	.....	180/64
3,472,405 A		10/1969	Bowman et al.	.....	214/501
3,672,521 A		6/1972	Bauer et al.	.....	214/145
3,732,996 A		5/1973	Bauer	.....	214/152
3,811,581 A		5/1974	Van Der Lely	.....	214/131
4,023,690 A	*	5/1977	Goode	.....	414/479

D245,606 S	*	8/1977	Williams	.....	D15/28
4,056,204 A		11/1977	Spasuik	.....	214/83.3
D249,663 S	*	9/1978	Willett	.....	D15/28
4,698,150 A		10/1987	Wigoda	.....	209/421
4,787,811 A	*	11/1988	Langenfeld et al.	.....	414/723
4,828,071 A		5/1989	Gaede	.....	180/291
5,308,220 A		5/1994	Schaeff	.....	414/699
5,468,120 A		11/1995	Krob	.....	414/695
5,509,770 A	*	4/1996	Burenga	.....	414/723
D370,684 S	*	6/1996	Johnson	.....	D15/32
5,647,441 A		7/1997	Gibbons	.....	172/439
5,660,217 A		8/1997	Nissley	.....	144/24.12
D386,769 S		11/1997	Gibbons	.....	D15/23
5,778,569 A		7/1998	Schaeff	.....	37/410
5,975,216 A		11/1999	Gibbons	.....	172/439
5,984,618 A	*	11/1999	Deneve et al.	.....	414/723
6,047,749 A		4/2000	Lamb	.....	144/24.12
D431,574 S		10/2000	Porter	.....	D15/25
D432,145 S		10/2000	Kraft et al.	.....	D15/30
D433,689 S		11/2000	Kraft et al.	.....	D15/30
D449,055 S	*	10/2001	Guiet	.....	D15/28
D457,174 S	*	5/2002	Bissell	.....	D15/28
D459,368 S	*	6/2002	Westendorf et al.	.....	D15/32

\* cited by examiner

*Primary Examiner*—Cynthia E. Ramirez  
(74) *Attorney, Agent, or Firm*—Westman, Champlin & Kelly, P.A.

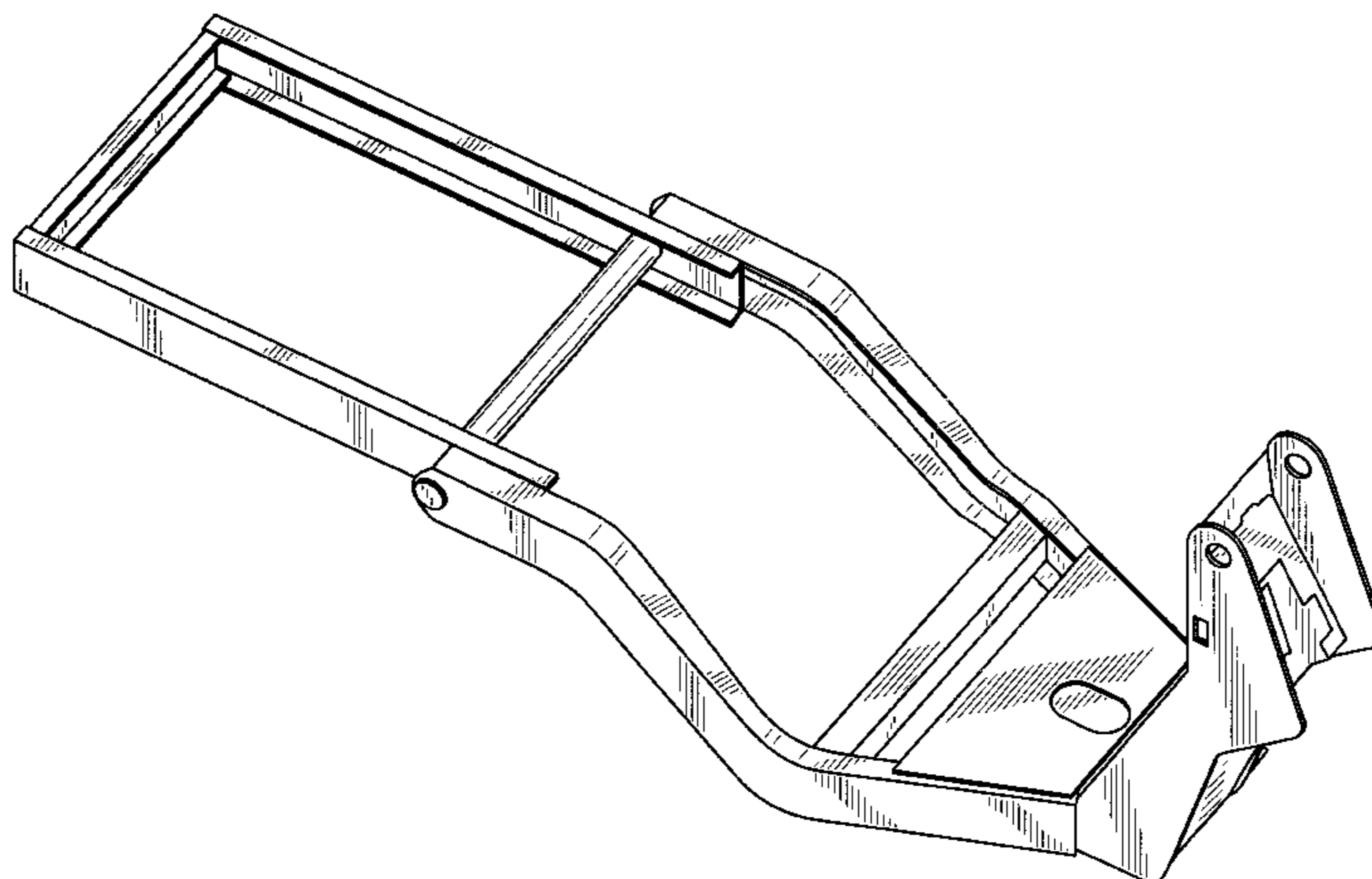
(57) **CLAIM**

The ornamental design for a frame for a wheeled work machine, as shown and described.

**DESCRIPTION**

FIG. 1 is a front perspective view of a frame for a wheeled work machine embodying our new design;  
FIG. 2 is a front elevational view thereof;  
FIG. 3 is a left side view thereof;  
FIG. 4 is a rear elevational view thereof;  
FIG. 5 is a right side view thereof;  
FIG. 6 is a top plan view thereof;  
FIG. 7 is a bottom plan view thereof; and,  
FIG. 8 is a front perspective view thereof.

**1 Claim, 5 Drawing Sheets**



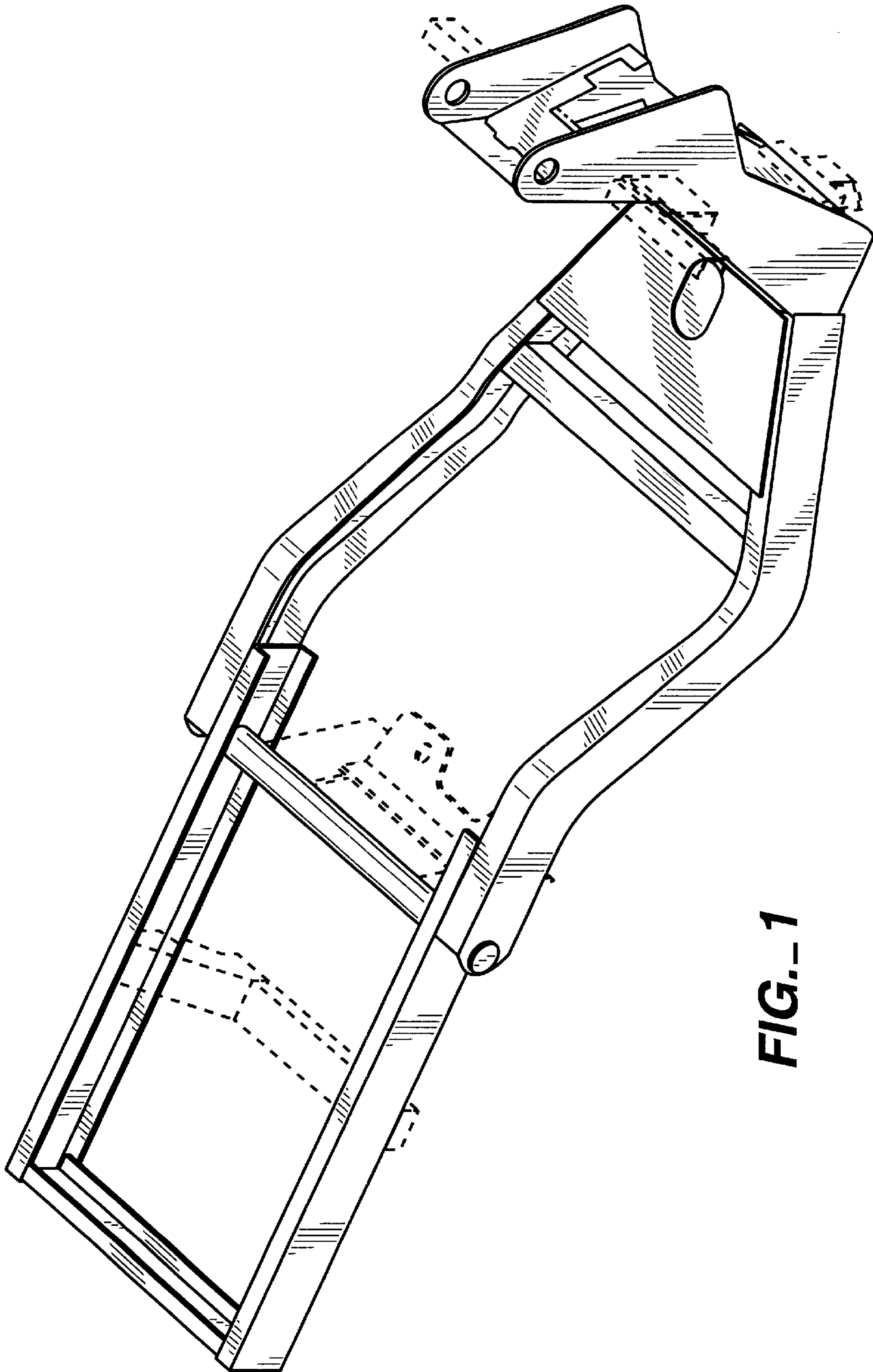
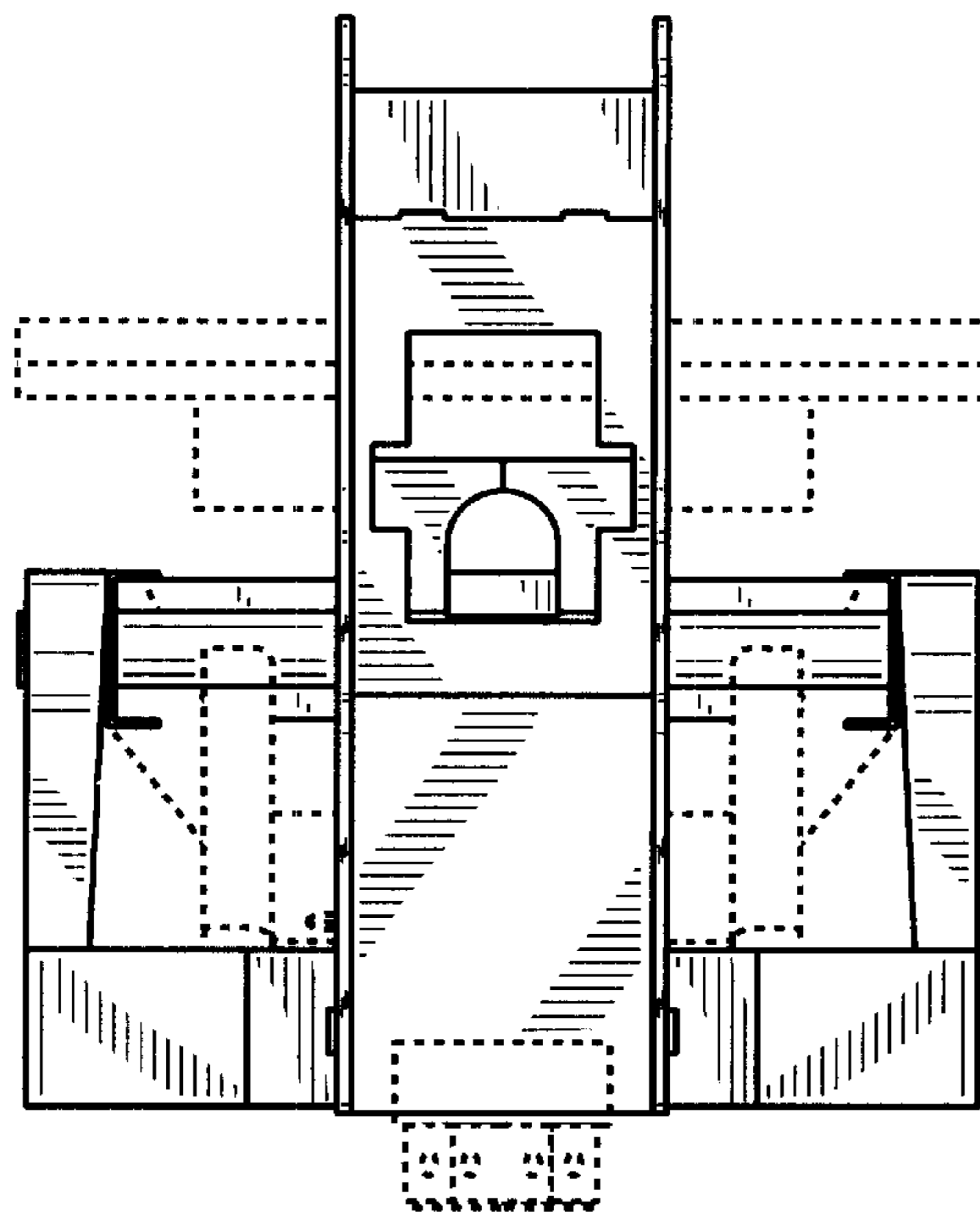
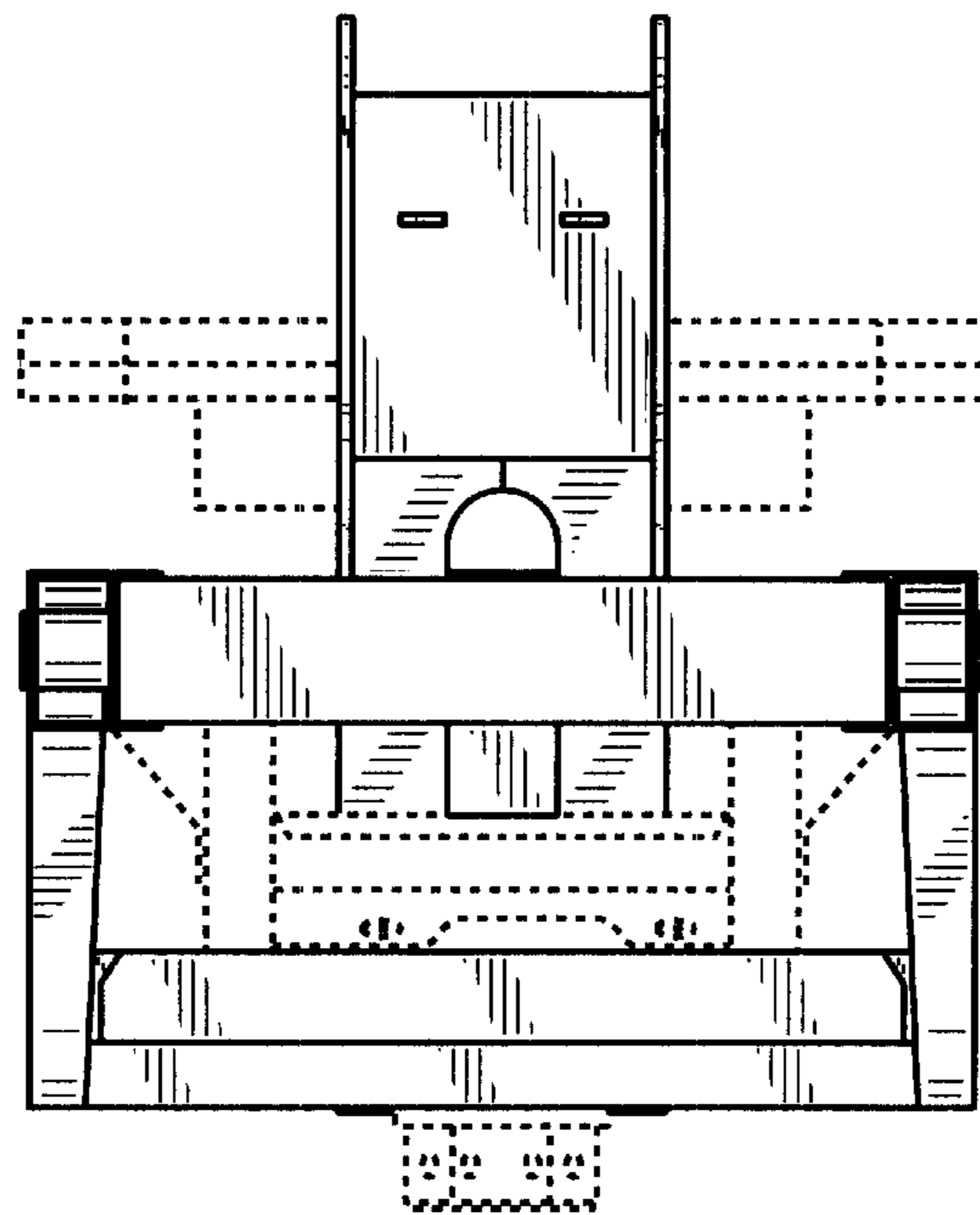


FIG.-1



**FIG. 2**



**FIG. 4**

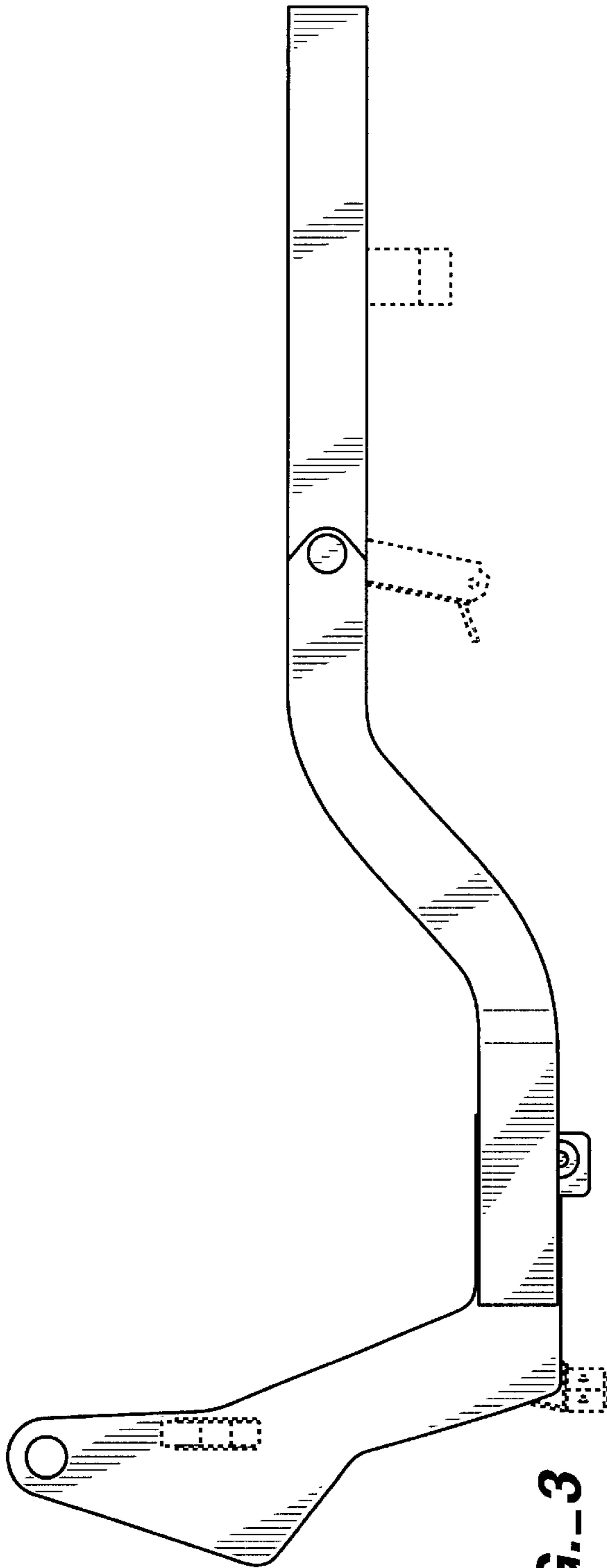


FIG.-3

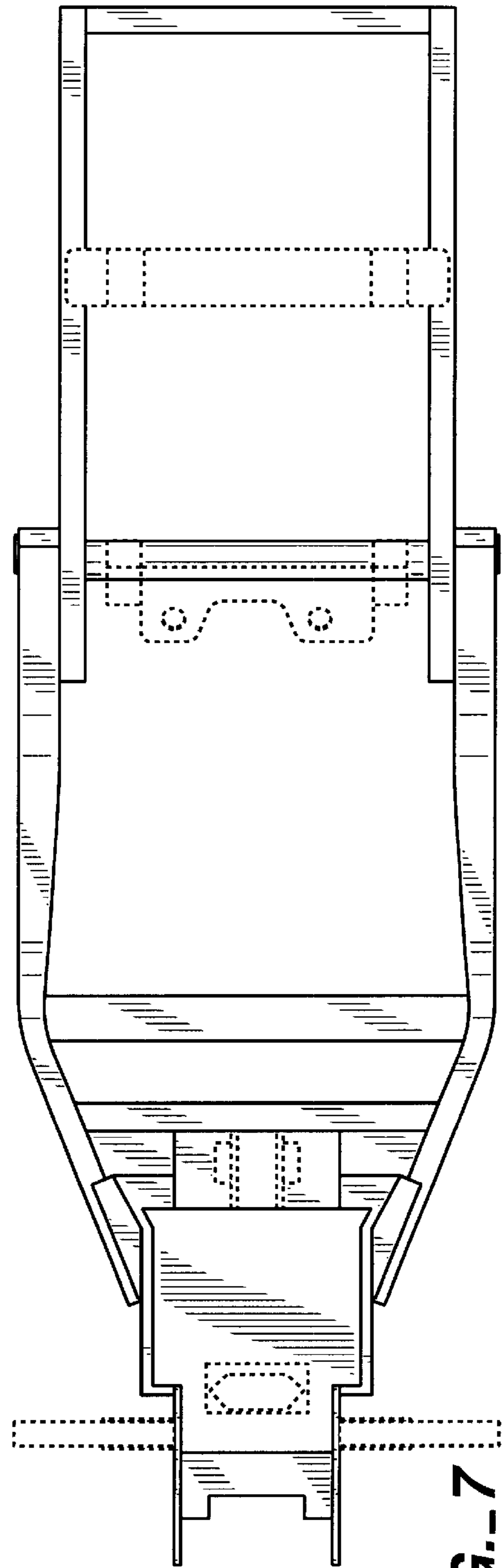
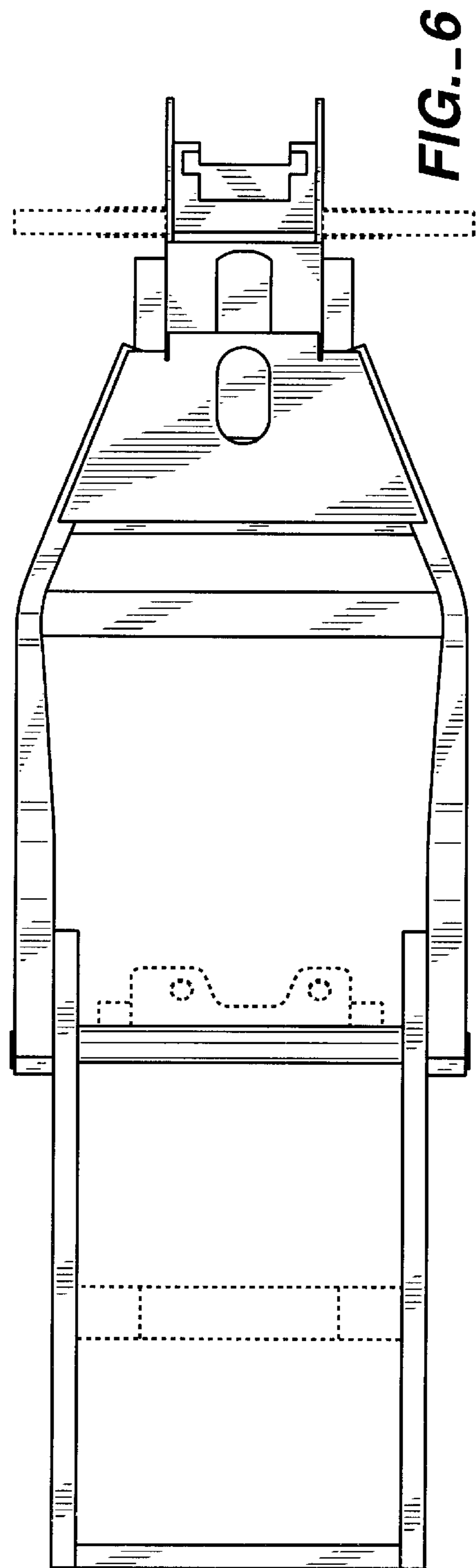
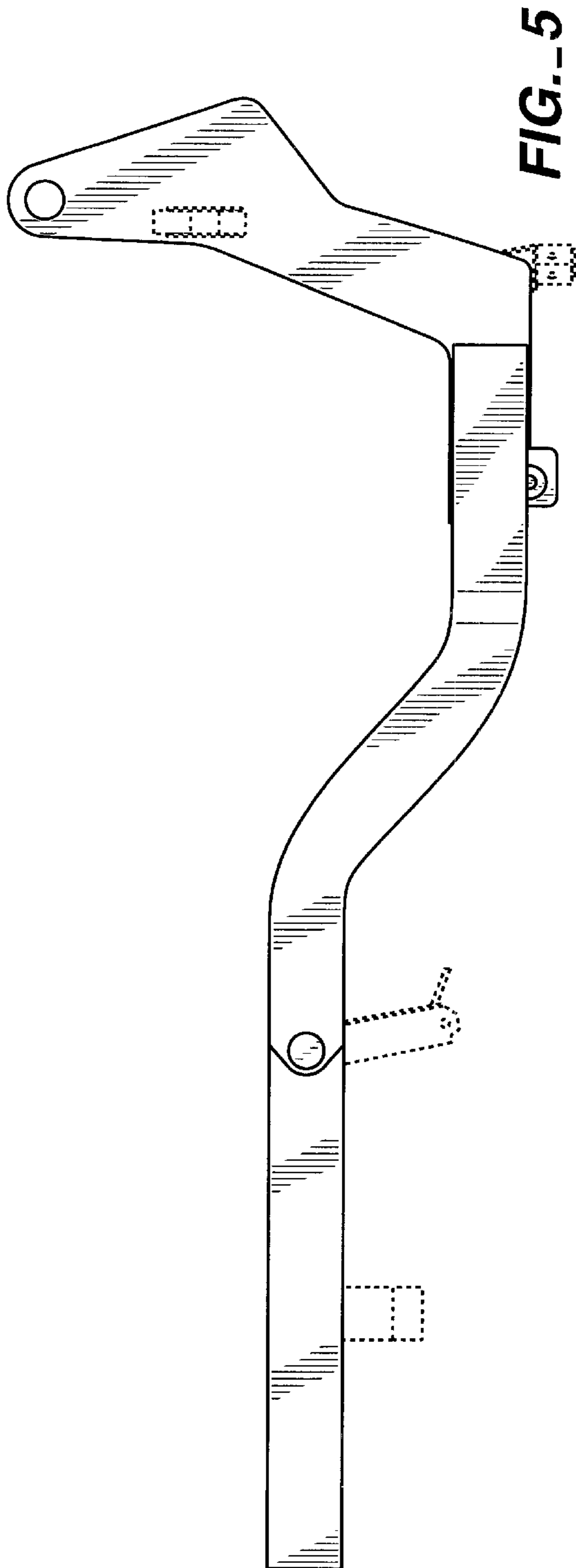
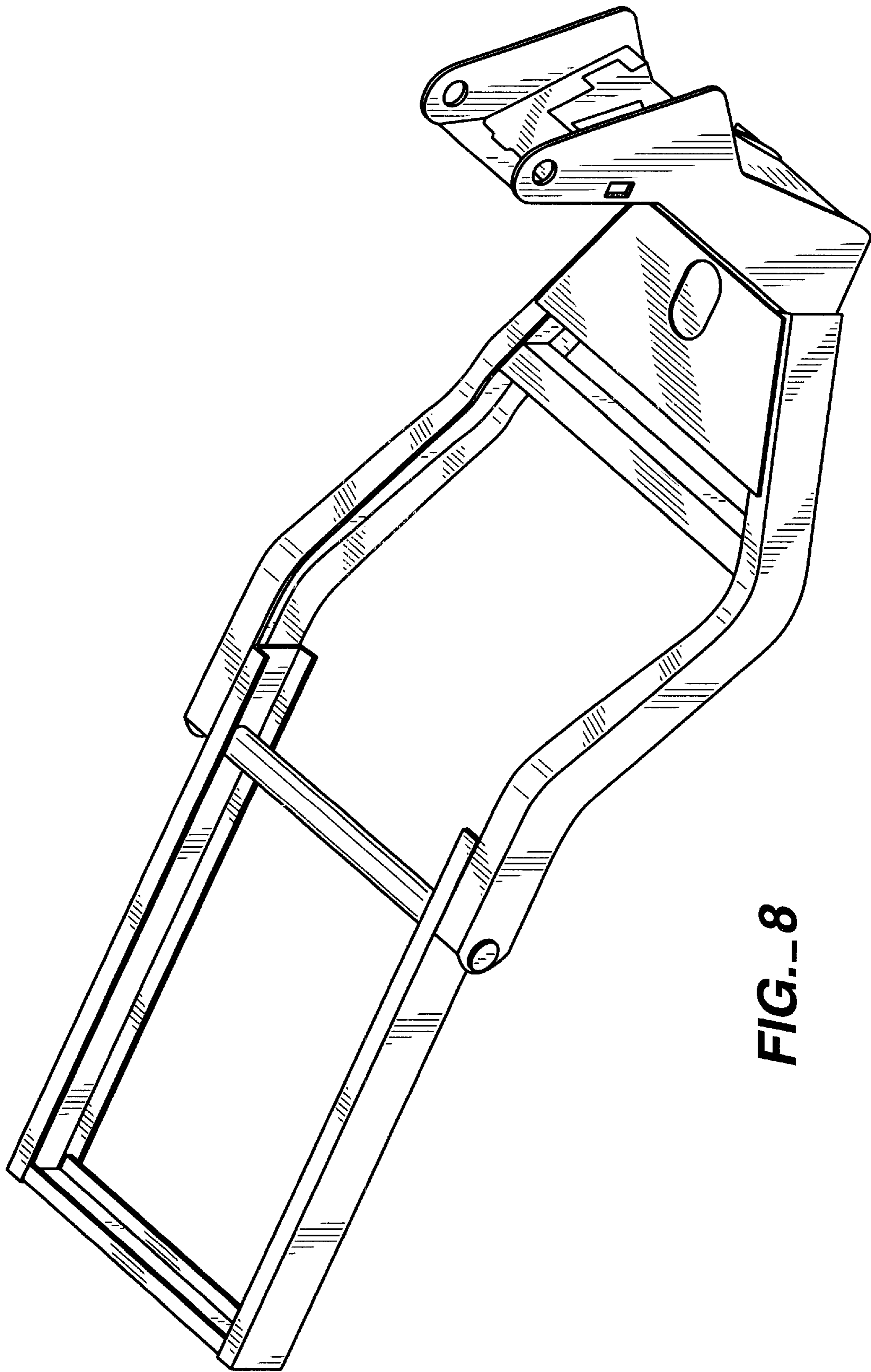


FIG.-7





**FIG.- 8**