



US00D466134S

(12) **United States Design Patent**
Carley et al.

(10) **Patent No.:** **US D466,134 S**

(45) **Date of Patent:** **** Nov. 26, 2002**

(54) **POND PUMP**

D436,362 S * 1/2001 Yu-Chin D15/8
D446,220 S * 8/2001 Boughton et al. D15/7

(75) Inventors: **Joseph Christopher Carley**,
Blacksburg, VA (US); **David Pool**,
Bishops Waltham (GB); **Jeffrey Alan**
Warden, Chapel Hill, NC (US)

* cited by examiner

Primary Examiner—Ralf Seifert

(74) *Attorney, Agent, or Firm*—Darryl C. Little; Evan
Federman

(73) Assignee: **Warner-Lambert Company**, Morris
Plains, NJ (US)

(57) **CLAIM**

(**) Term: **14 Years**

The ornamental design for a pond pump, as shown and
described.

(21) Appl. No.: **29/146,974**

DESCRIPTION

(22) Filed: **Aug. 20, 2001**

(51) **LOC (7) Cl.** **15-01**

(52) **U.S. Cl.** **D15/7**

(58) **Field of Search** D15/7-9; 417/239,
417/229, 321, 410-411, 265, 415, 405,
419

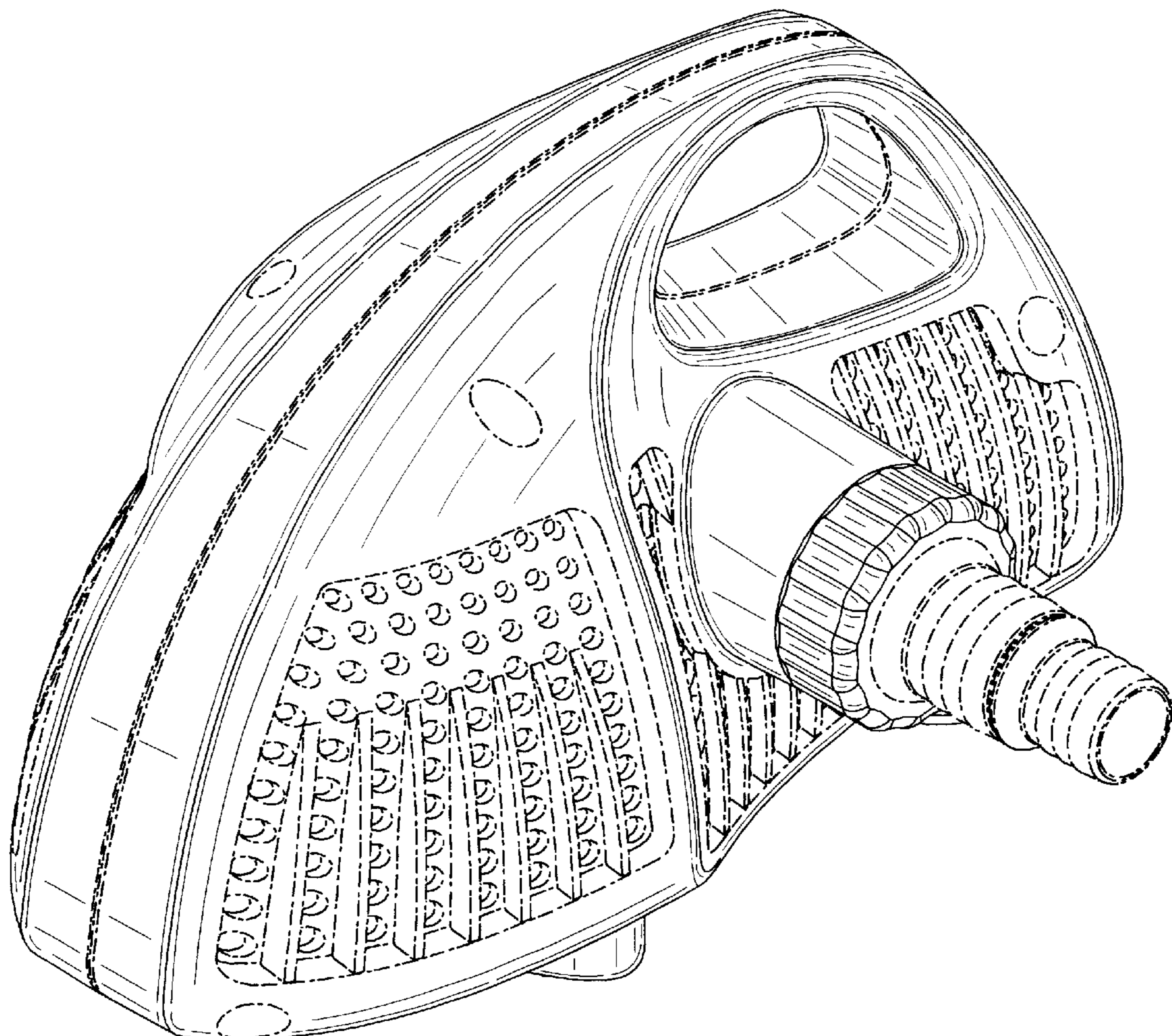
FIG. 1 is a top, front, right isometric view of the pond pump.
FIG. 2 is a top, rear, left isometric view of the pond pump.
FIG. 3 is a front view of the pond pump.
FIG. 4 is a top view of the pond pump.
FIG. 5 is a right view of the pond pump.
FIG. 6 is a left view of the pond pump.
FIG. 7 is a rear view of the pond pump; and,
FIG. 8 is a bottom view of the pond pump.
It being understood that the broken lines are for illustrative
purposes only.

(56) **References Cited**

U.S. PATENT DOCUMENTS

D205,562 S * 8/1966 Willinger D15/8
D209,639 S * 12/1967 Gare D15/8

1 Claim, 8 Drawing Sheets



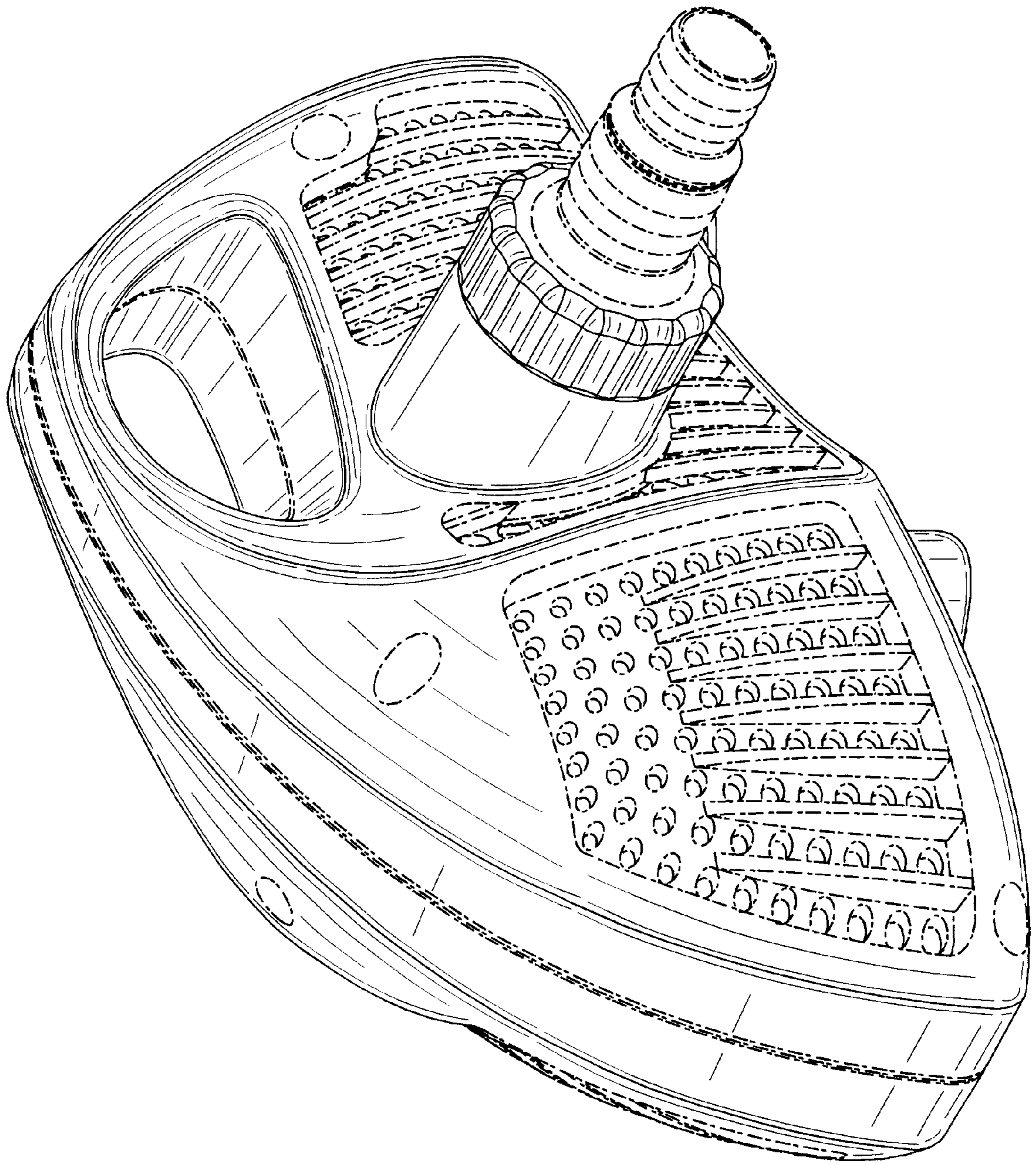


FIG. 1

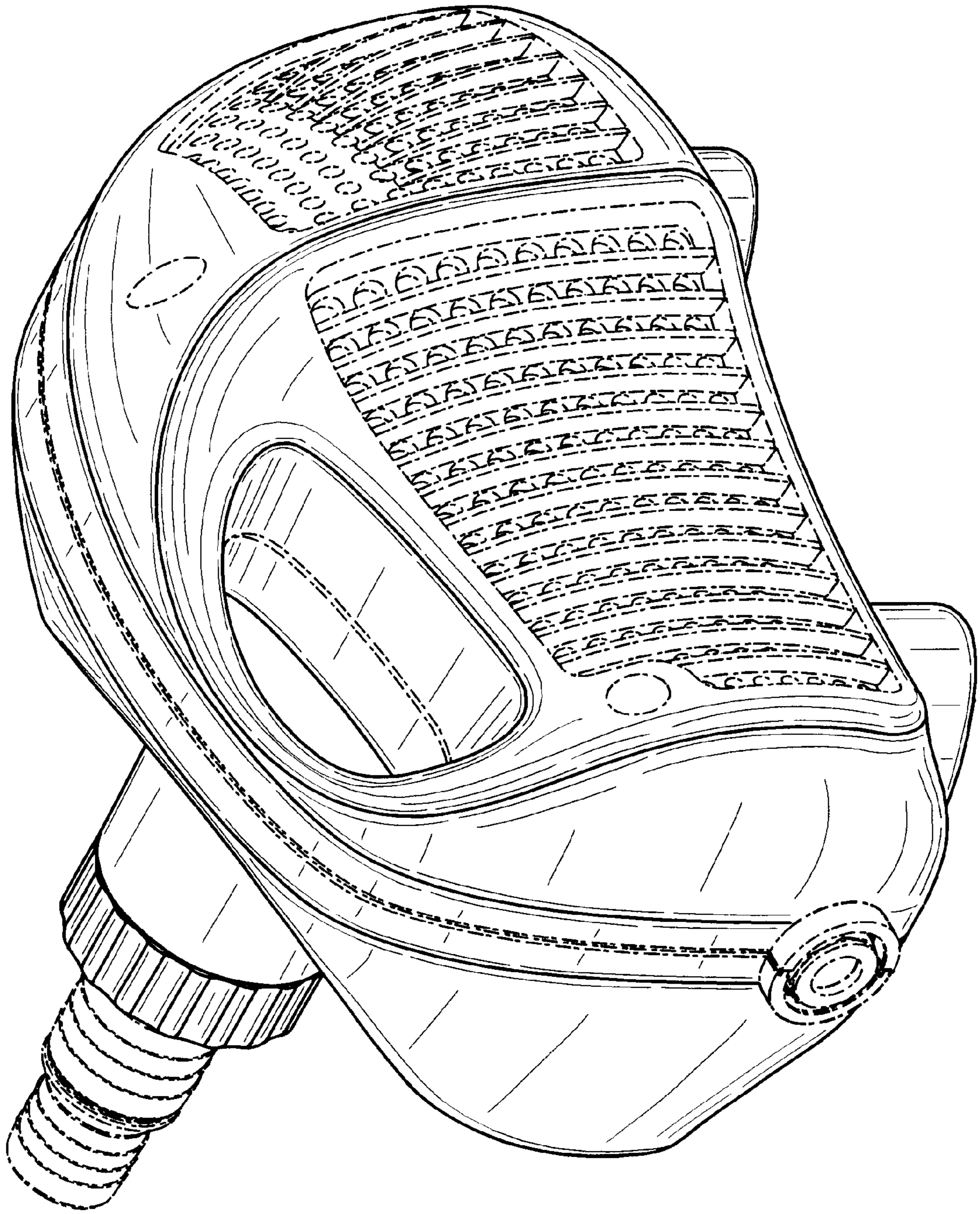


FIG. 2

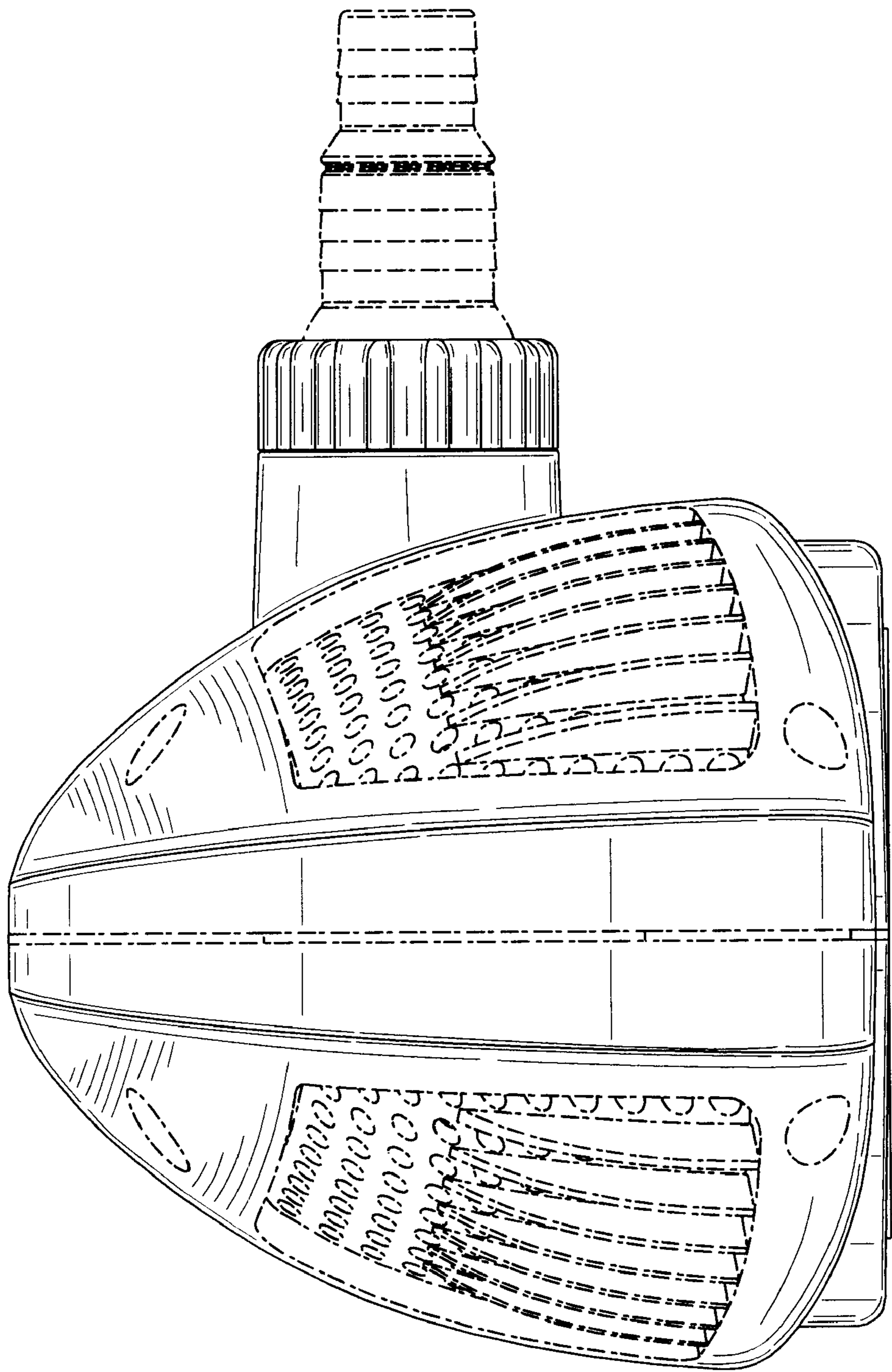


FIG. 3

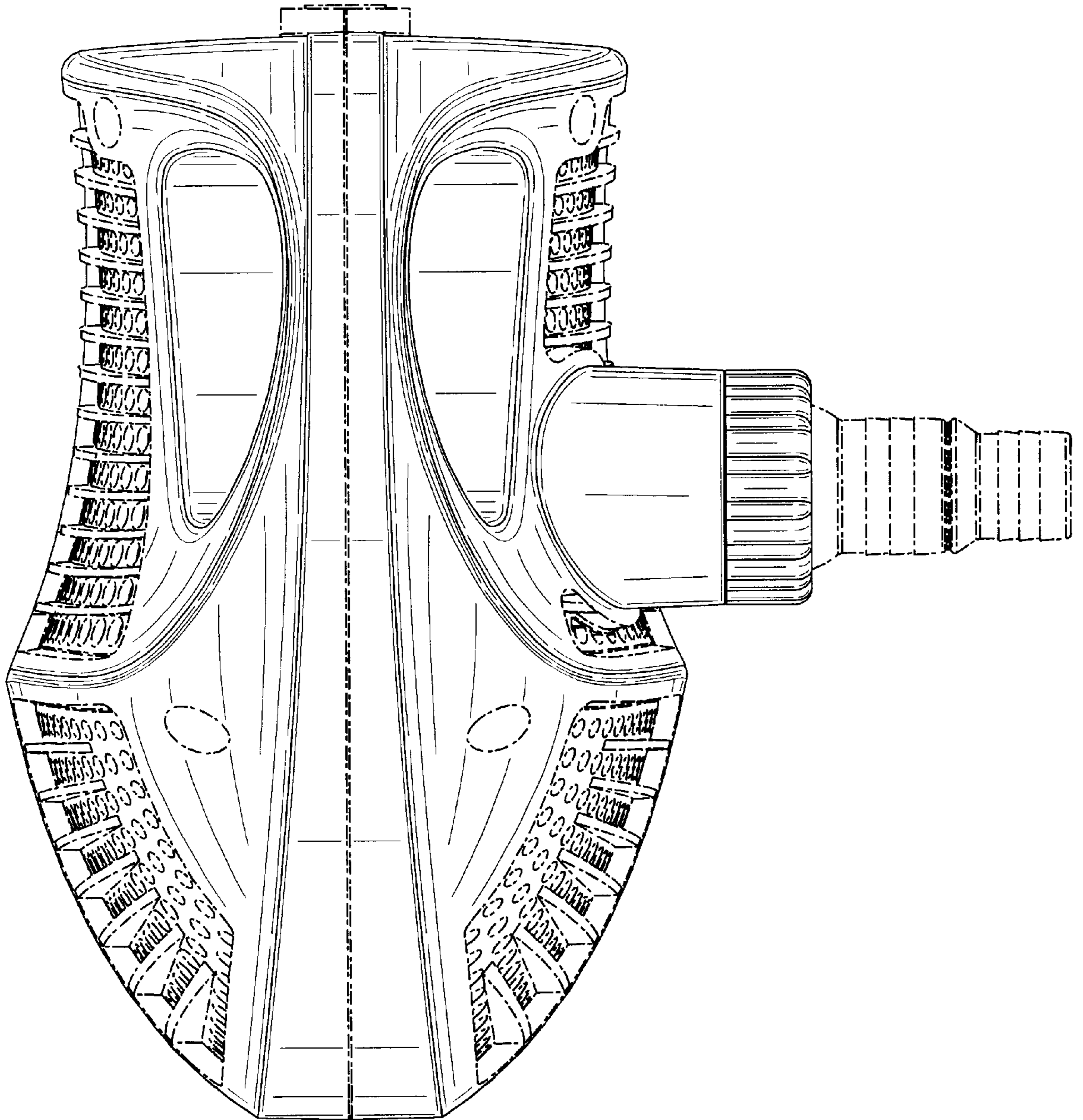


FIG. 4

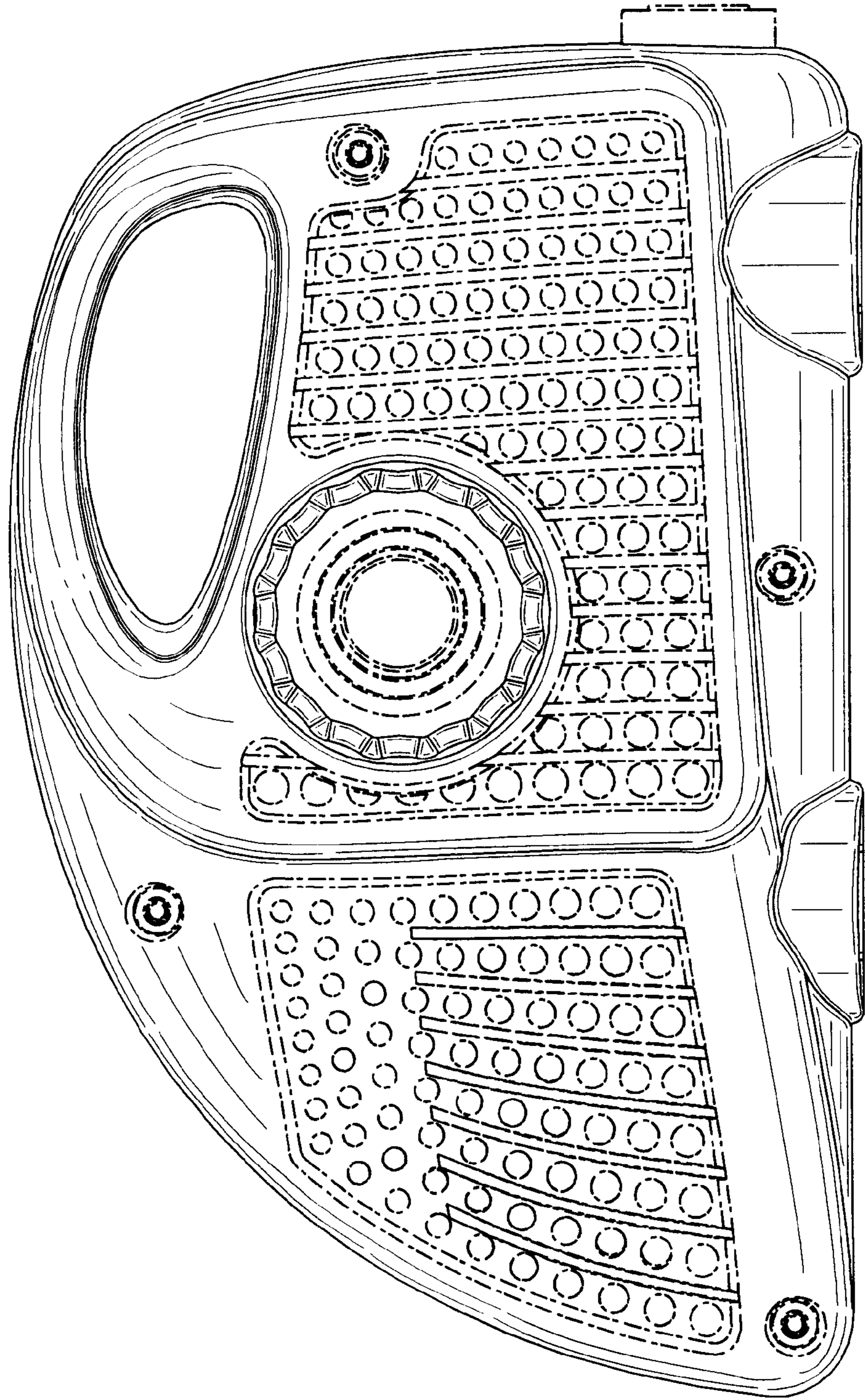


FIG. 5

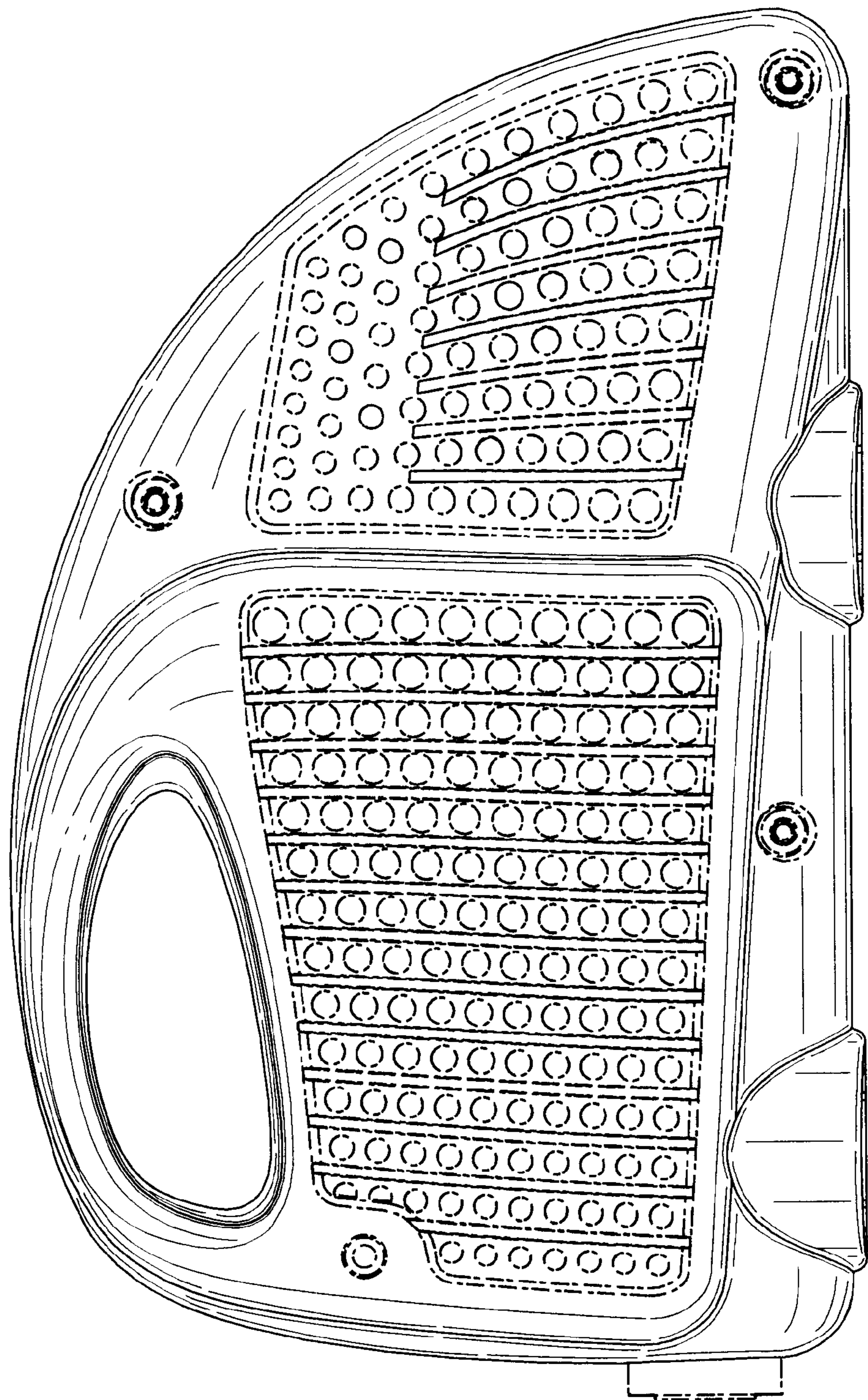


FIG. 6

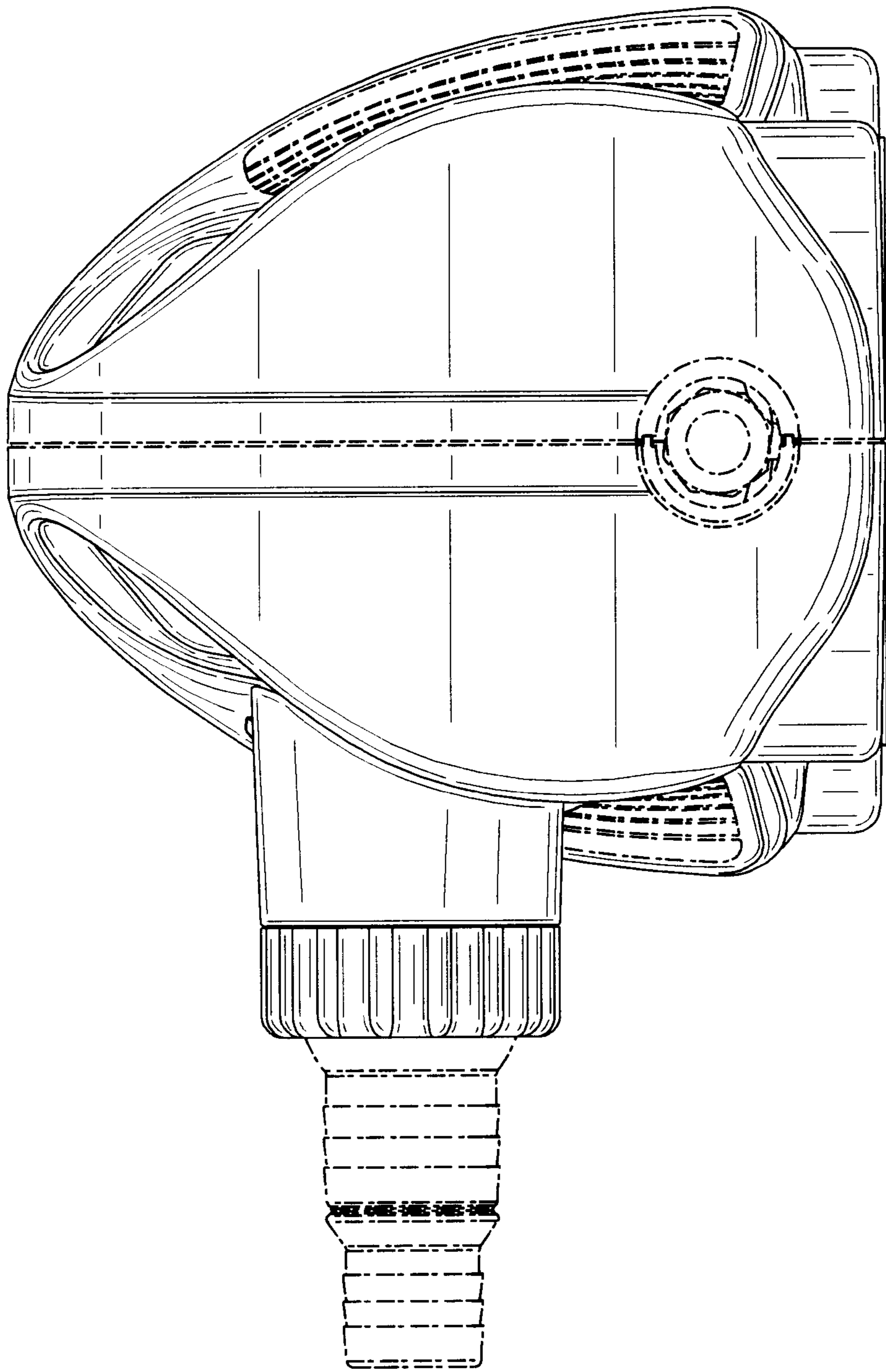


FIG. 7

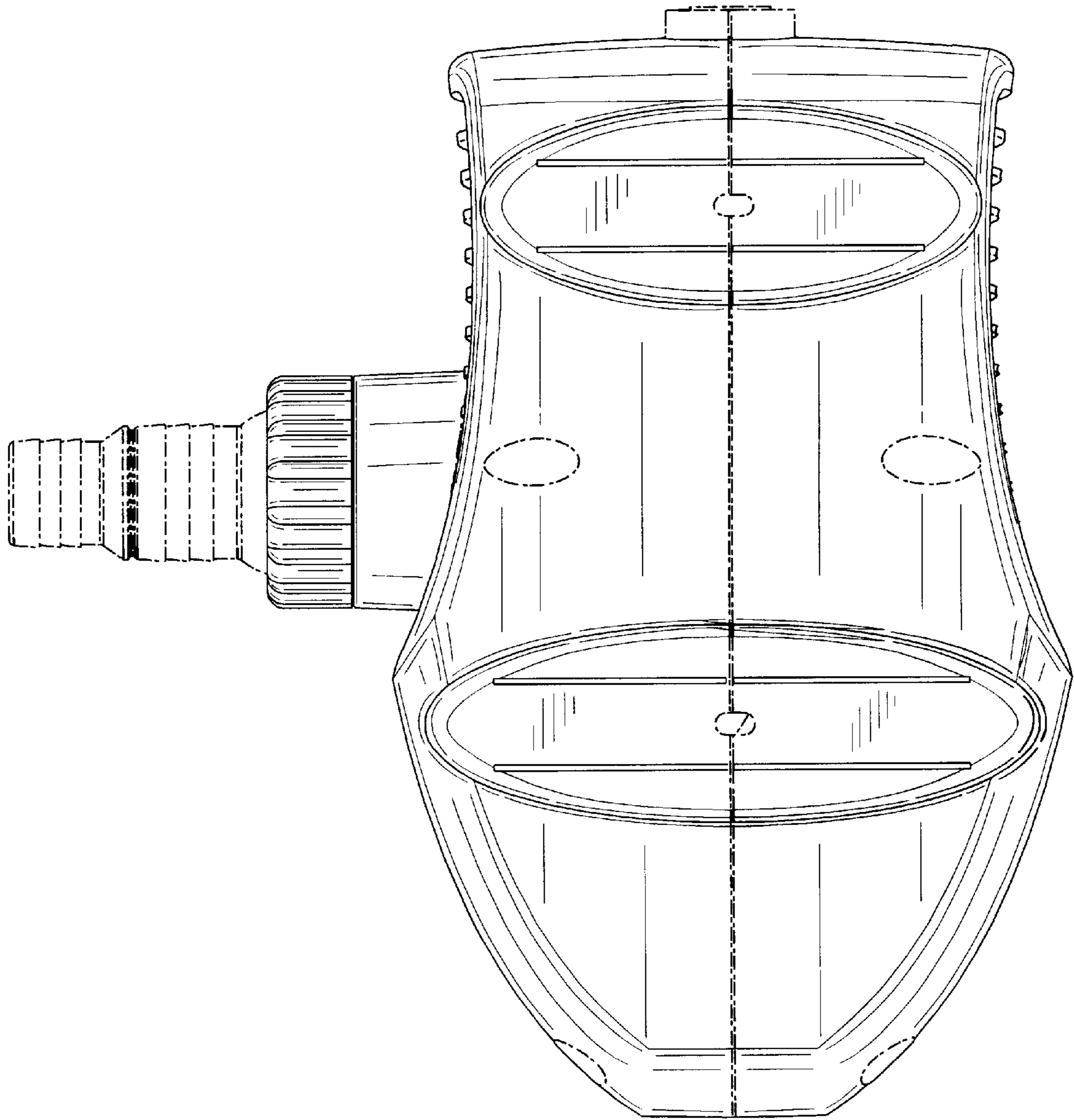


FIG. 8