



US00D466132S

(12) **United States Design Patent**
Ricci et al.

(10) **Patent No.:** **US D466,132 S**

(45) **Date of Patent:** **** Nov. 26, 2002**

(54) **DRIVE MOTOR MOUNT FOR CLAMSHELL LATHE**

D389,842 S * 1/1998 Kvamsdal D15/1
D450,714 S * 11/2001 Gaylord D15/1

(75) Inventors: **Donato L. Ricci**, W8477 - 162nd Ave.,
Hager City, WI (US) 54014; **Brent Place**, Hager City, WI (US)

* cited by examiner

Primary Examiner—Melody N. Brown

(73) Assignee: **Donato L. Ricci**, Hager City, WI (US)

(74) *Attorney, Agent, or Firm*—Thomas J. Nikolai; Nikolai & Mersereau, P.A.

(**) Term: **14 Years**

(57) **CLAIM**

(21) Appl. No.: **29/156,152**

The ornamental design for a drive motor mount for clamshell lathe, as shown and described.

(22) Filed: **Feb. 26, 2002**

DESCRIPTION

(51) **LOC (7) Cl.** **15-01**

(52) **U.S. Cl.** **D15/1**

(58) **Field of Search** D15/1, 5; 392/478,
392/480, 483-485; 290/52

FIG. 1 is a side perspective view of a drive motor mount for clamshell lathe showing my new design;

FIG. 2 is a left end view thereof;

FIG. 3 is a right end view thereof;

FIG. 4 is a top plan view thereof; and,

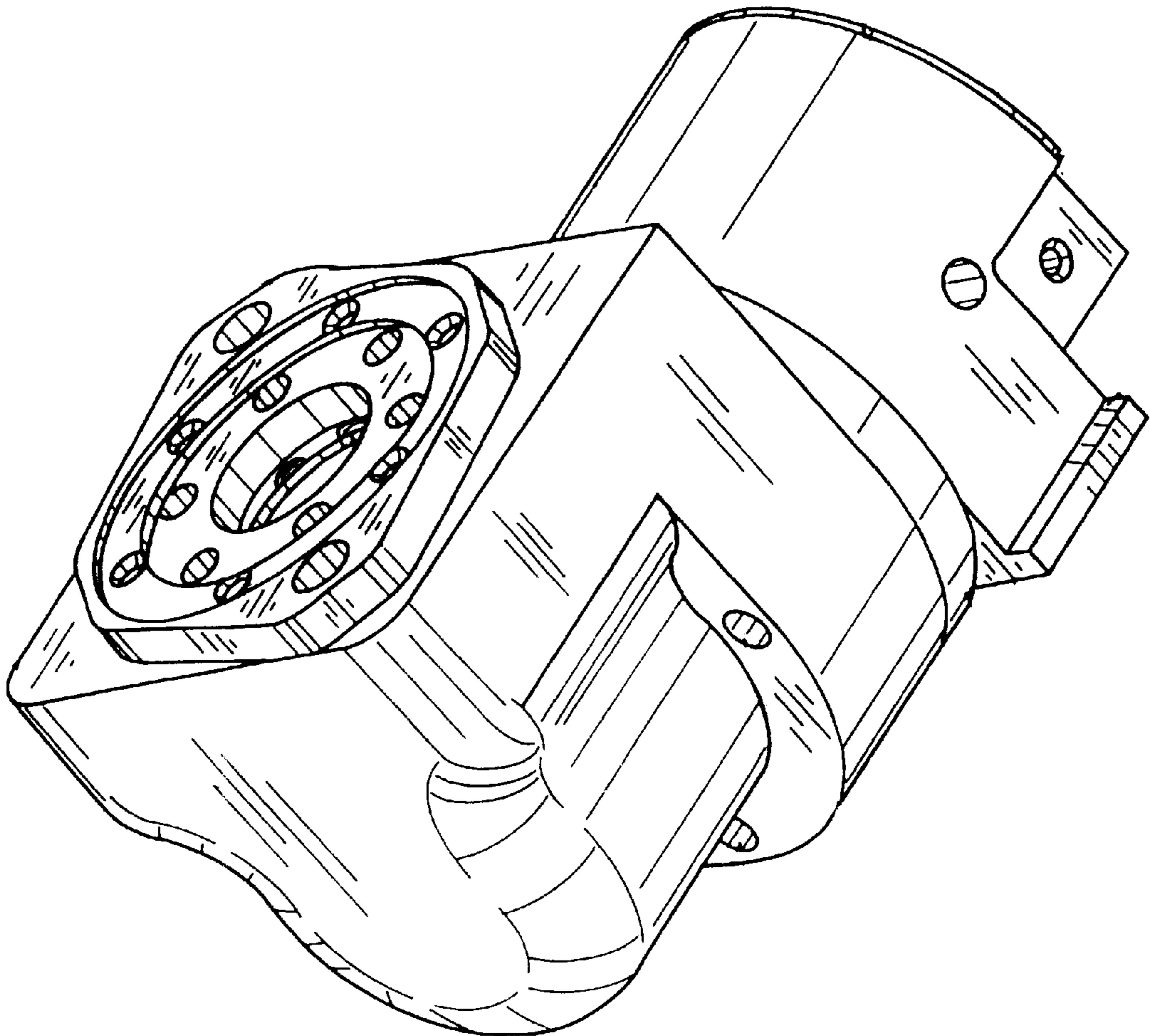
FIG. 5 is a bottom plan view thereof.

(56) **References Cited**

U.S. PATENT DOCUMENTS

D273,586 S * 4/1984 Hodgson D15/7

1 Claim, 4 Drawing Sheets



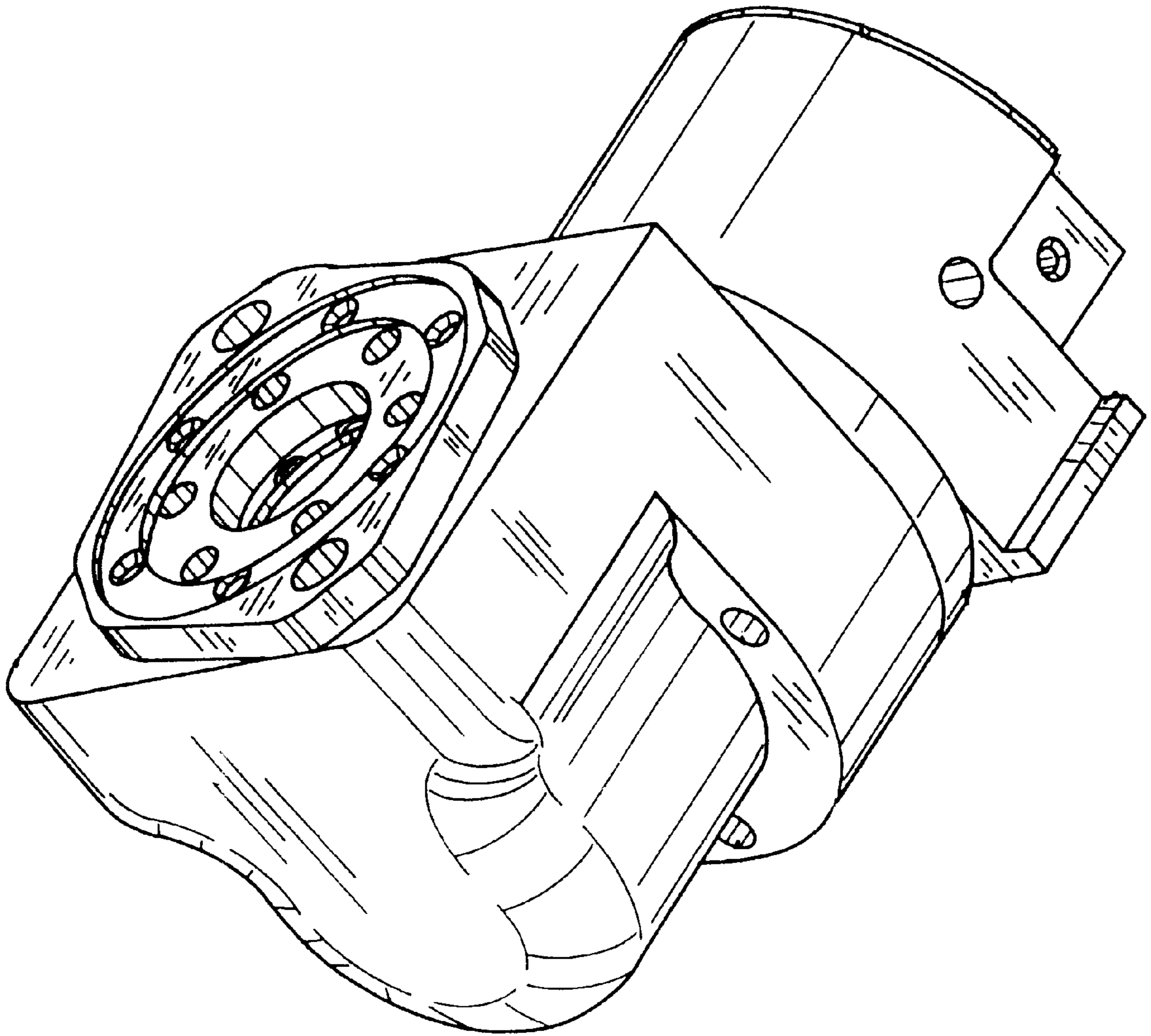


FIG. 1

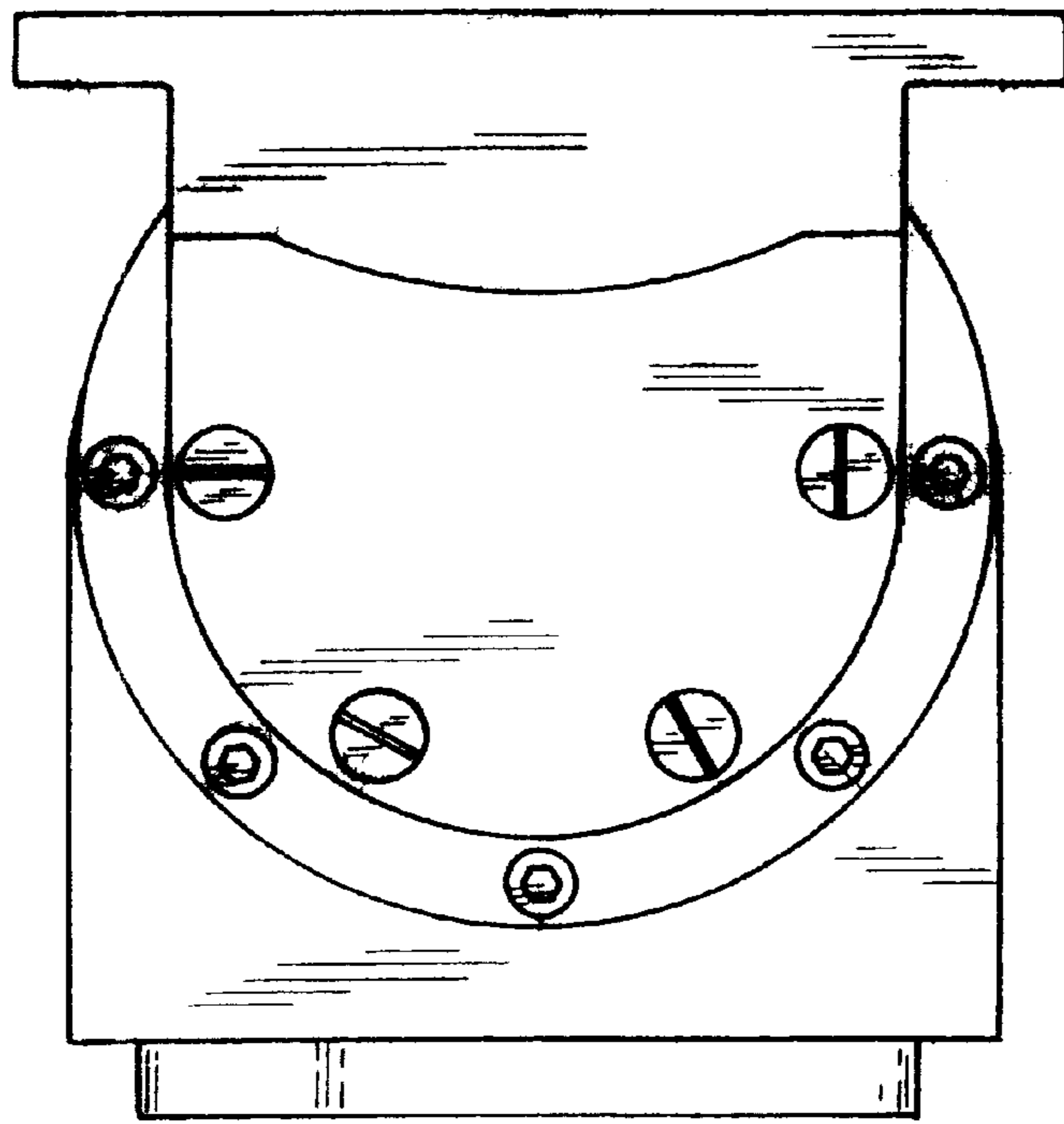


FIG. 3

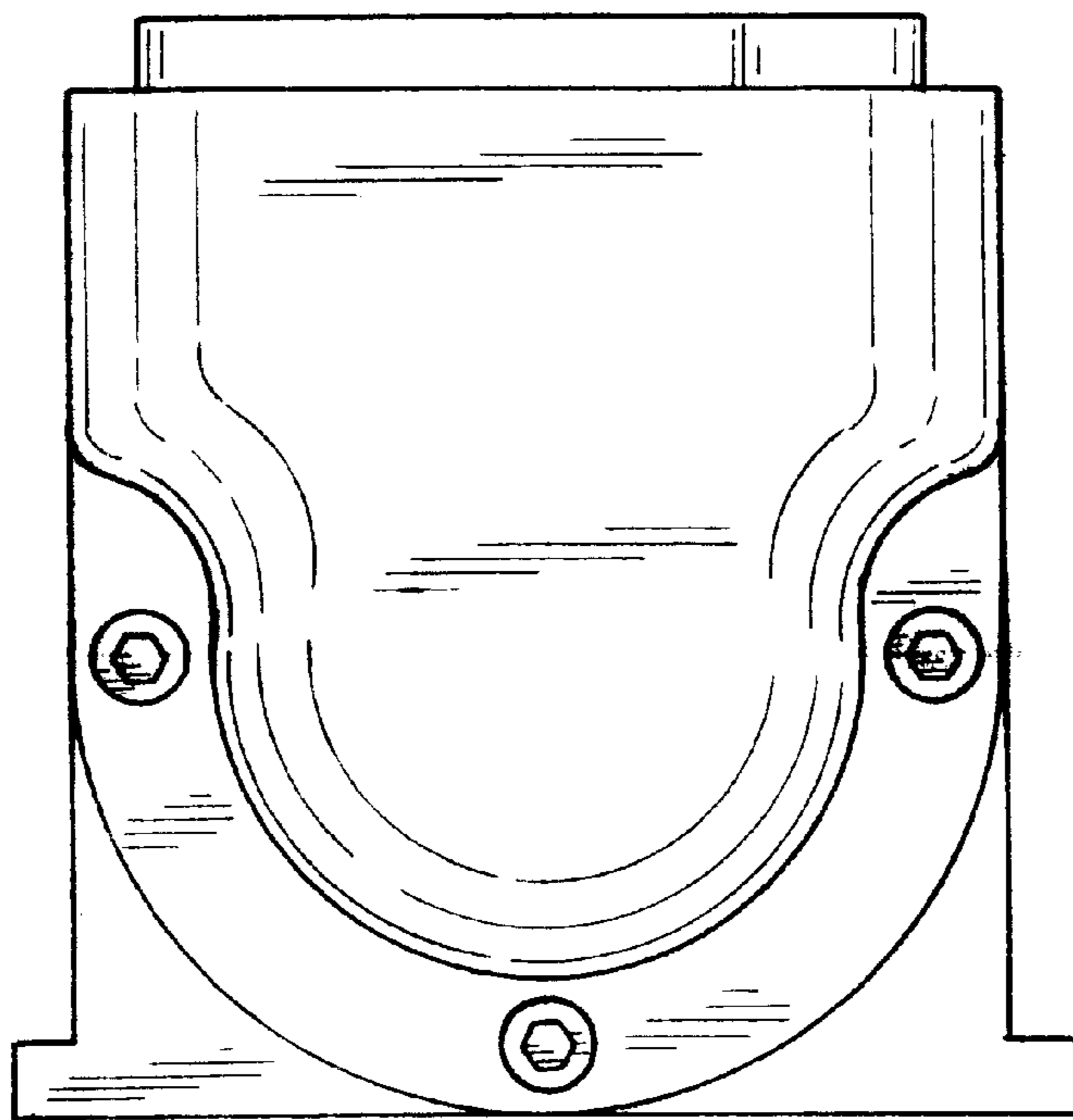


FIG. 2

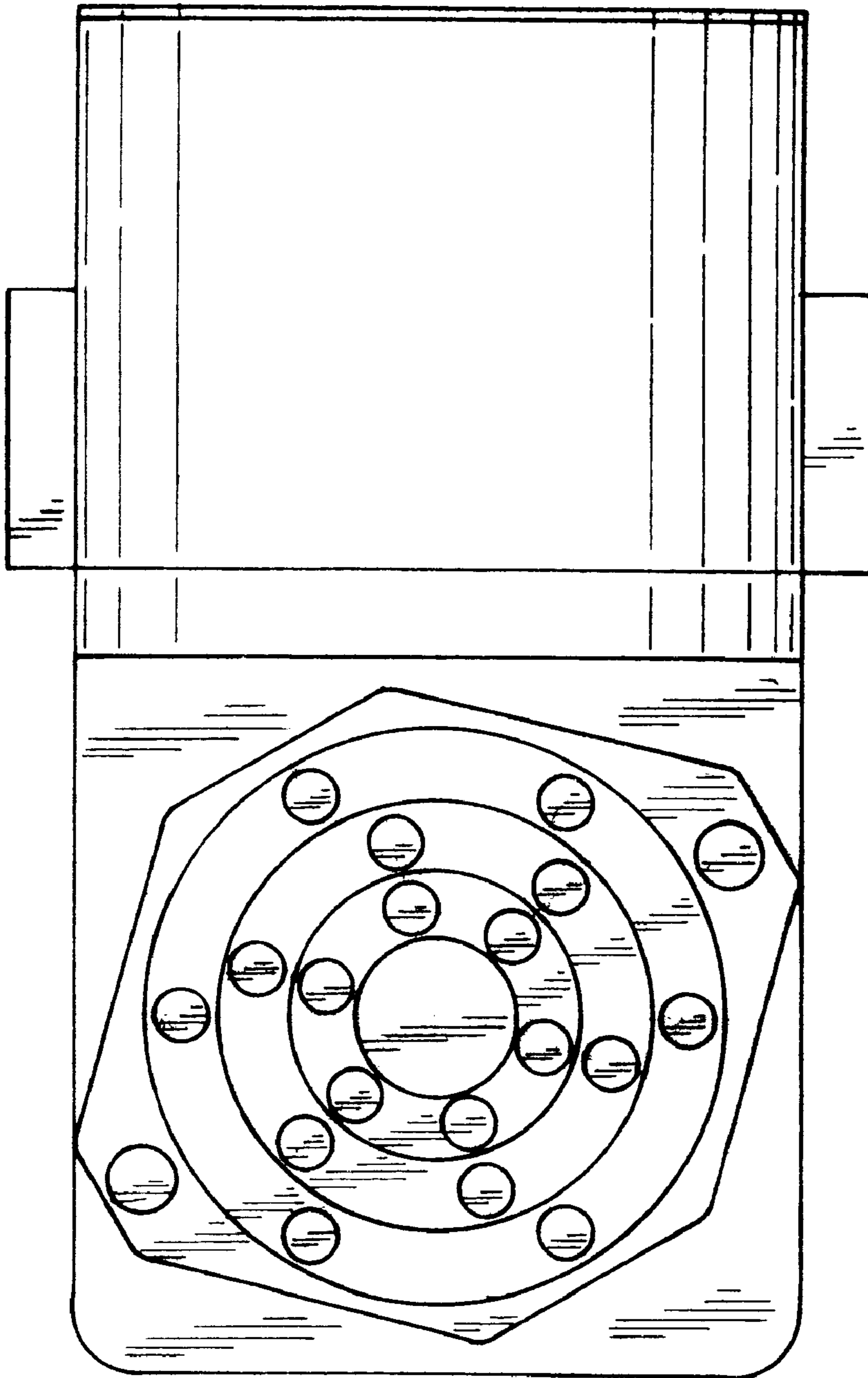


FIG. 4

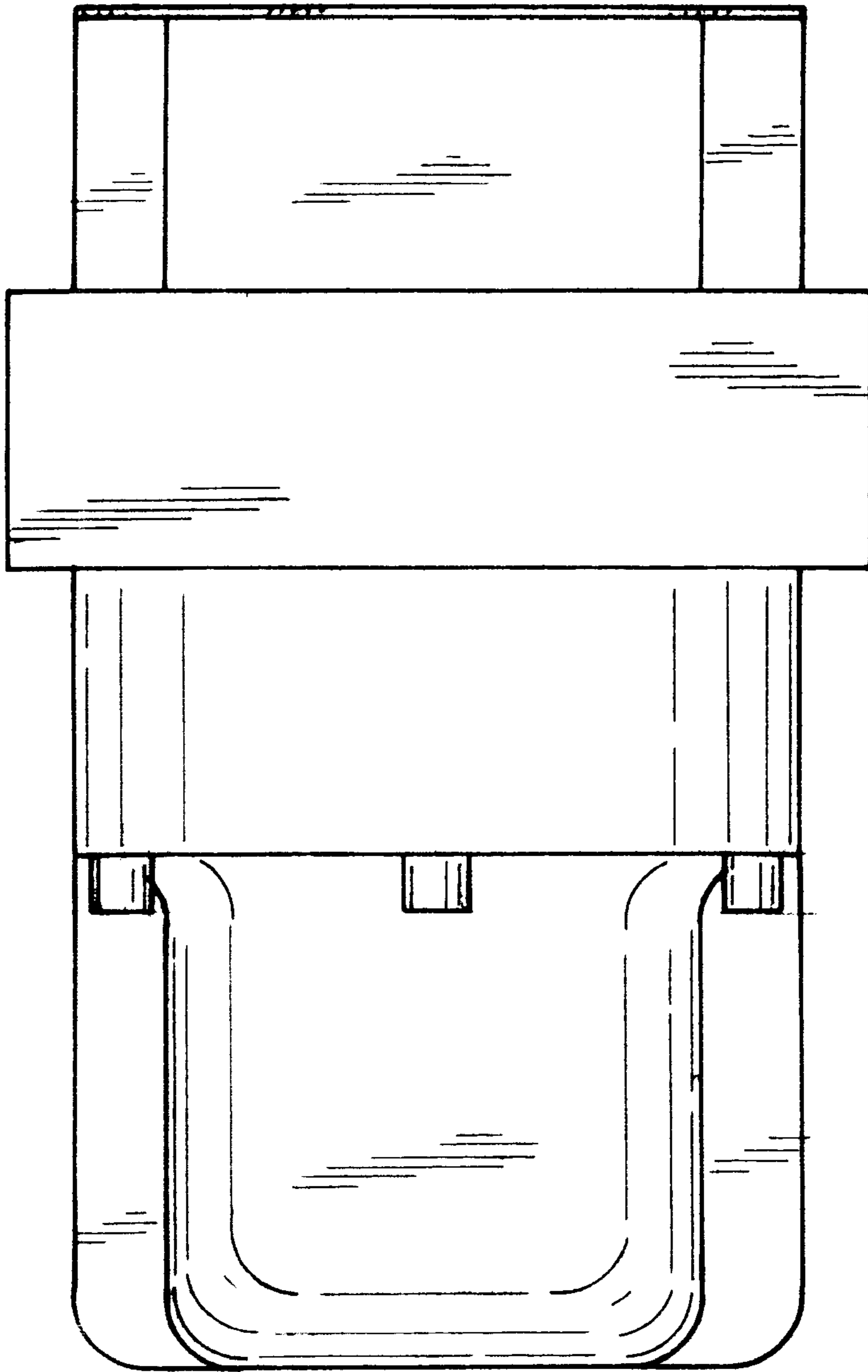


FIG. 5