



US00D466131S

(12) **United States Design Patent**
Geffert

(10) **Patent No.:** **US D466,131 S**

(45) **Date of Patent:** **** Nov. 26, 2002**

(54) **SURFACE CONFIGURATION OF AN ENGINE**

D396,477 S * 7/1998 Sadr D15/5
D396,478 S * 7/1998 Hubbach D15/5
D445,803 S * 7/2001 Ratto D15/5

(75) Inventor: **Otto Geffert**, Besigheim (DE)

* cited by examiner

(73) Assignee: **Dr. Ing. h.c.F. Porsche**
Aktiengesellschaft, Stuttgart (DE)

Primary Examiner—Melody N. Brown

(**) Term: **14 Years**

(74) *Attorney, Agent, or Firm*—Crowell & Moring LLP

(21) Appl. No.: **29/152,401**

(57) **CLAIM**

(22) Filed: **Dec. 21, 2001**

The ornamental design for a surface configuration of an engine, as shown and described.

(30) **Foreign Application Priority Data**

DESCRIPTION

Jun. 26, 2001 (DE) 4 01 05 669

FIG. 1 is a left perspective view of a surface configuration of an engine according to my novel design;

(51) **LOC (7) Cl.** **15-01**

FIG. 2 is a right perspective view of the surface configuration of an engine according to my novel design;

(52) **U.S. Cl.** **D15/1**

(58) **Field of Search** D15/1-7, 9; 417/415, 417/419, 405, 234, 362; 123/193.5, 306, 308, 446, 549; 181/264, 268, 269

FIG. 3 is a front elevated perspective view of the surface configuration of an engine according to my novel design; and,

(56) **References Cited**

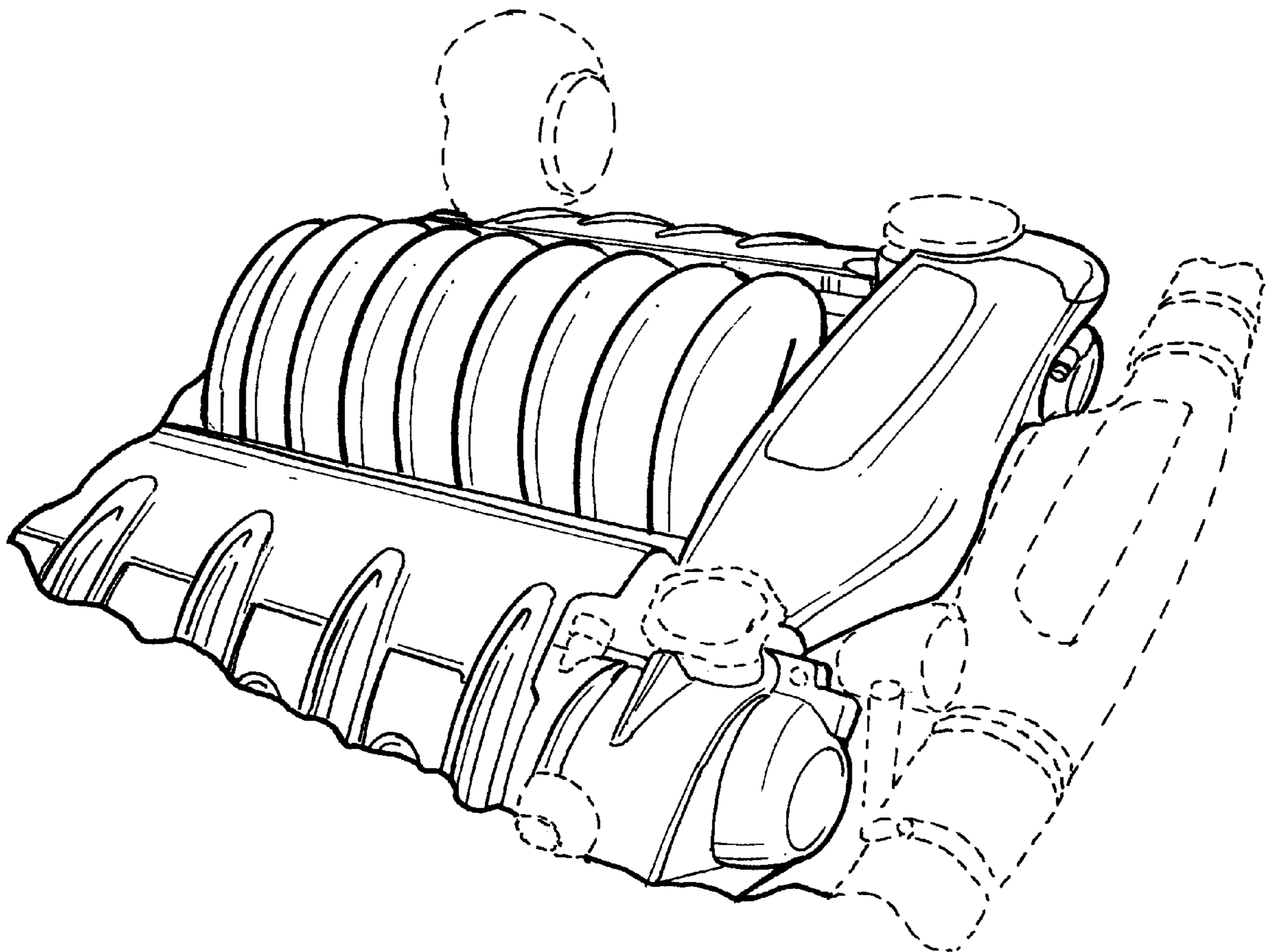
FIG. 4 is a front view of the surface configuration of an engine according to my novel design.

U.S. PATENT DOCUMENTS

The broken lines included in the drawings depict environment and are not part of the claimed design.

D328,304 S * 7/1992 Frohn et al. D15/7
D392,648 S * 3/1998 Karlsson D15/5

1 Claim, 2 Drawing Sheets



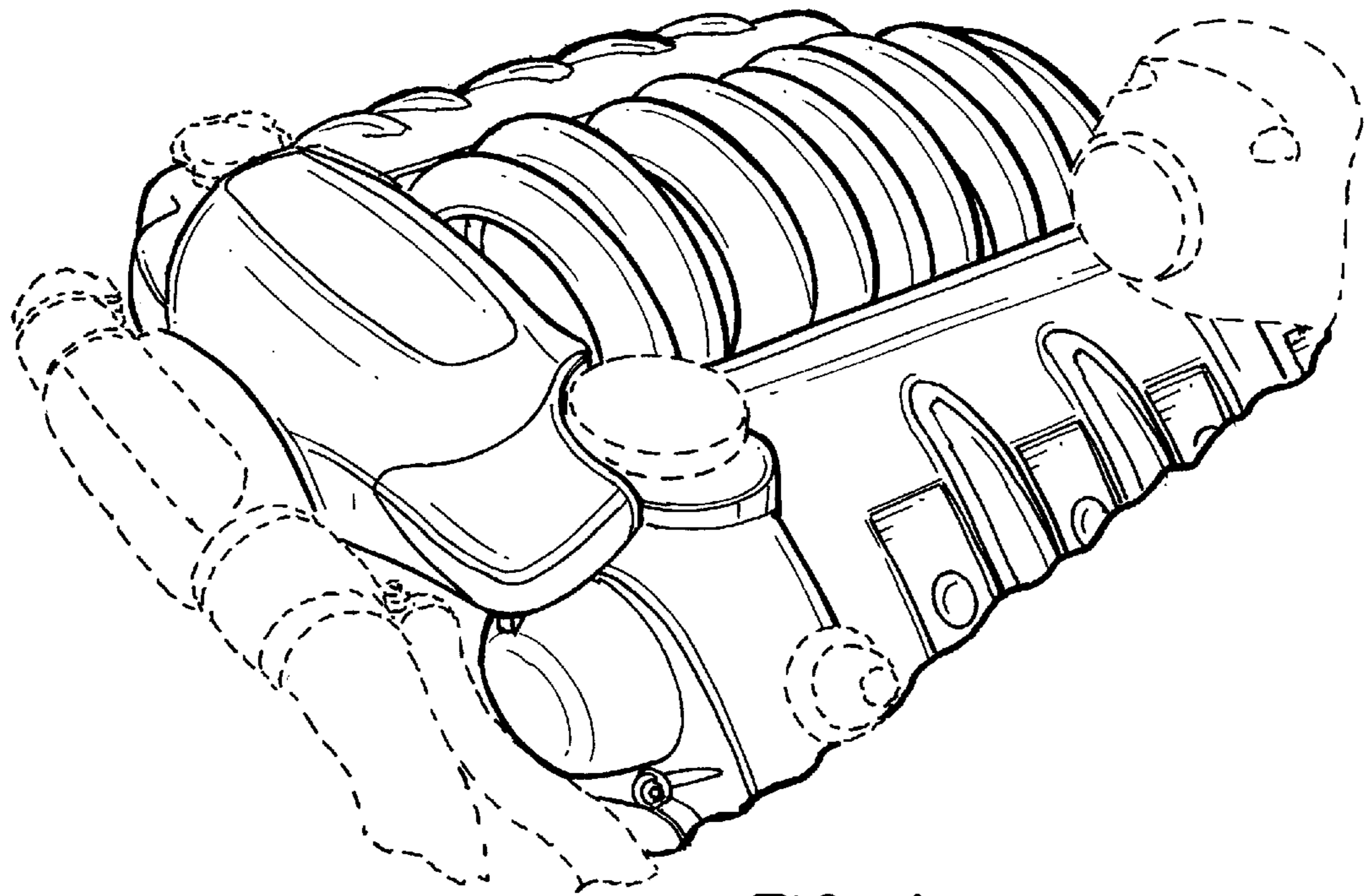


FIG. 1

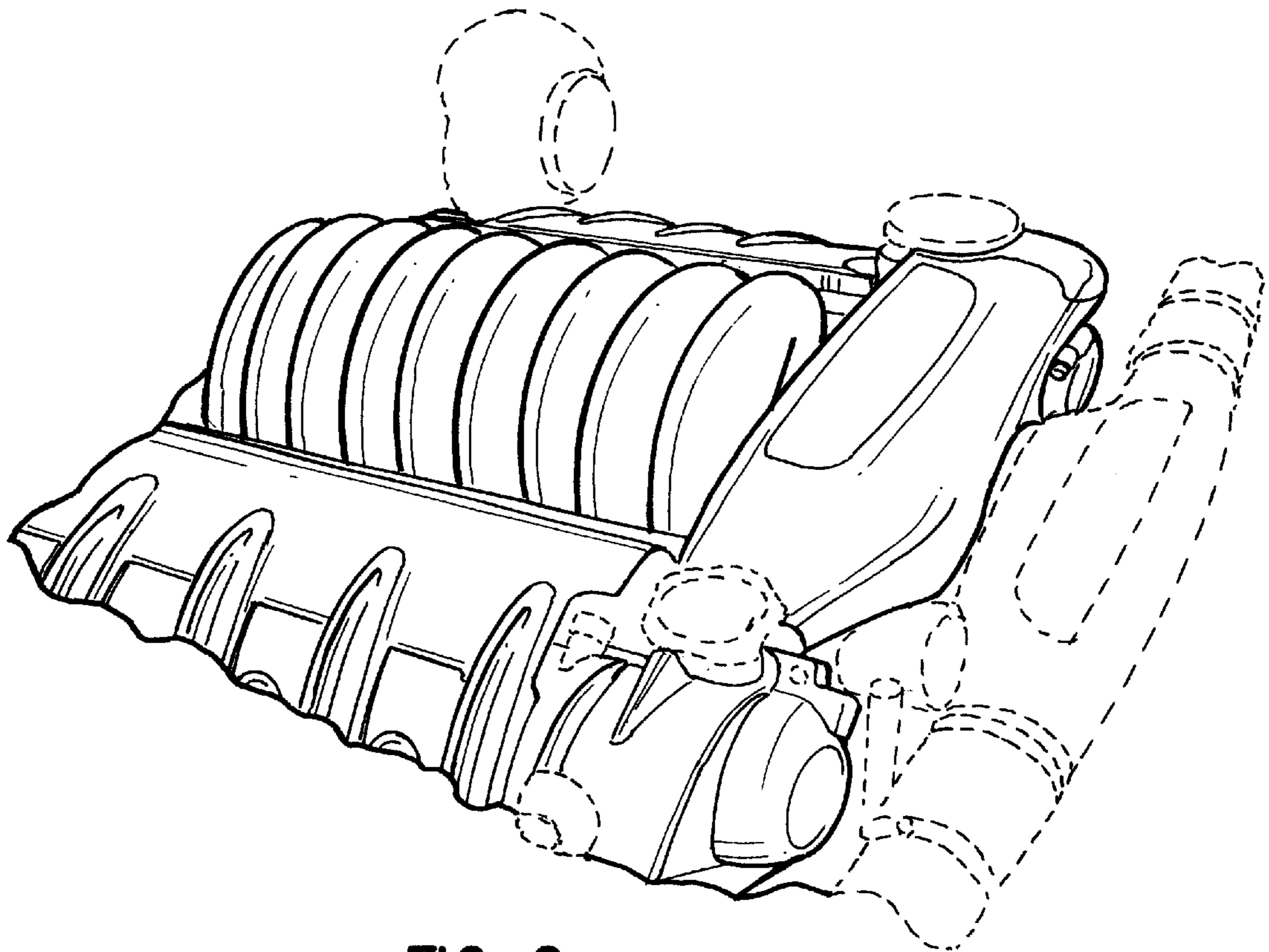


FIG. 2

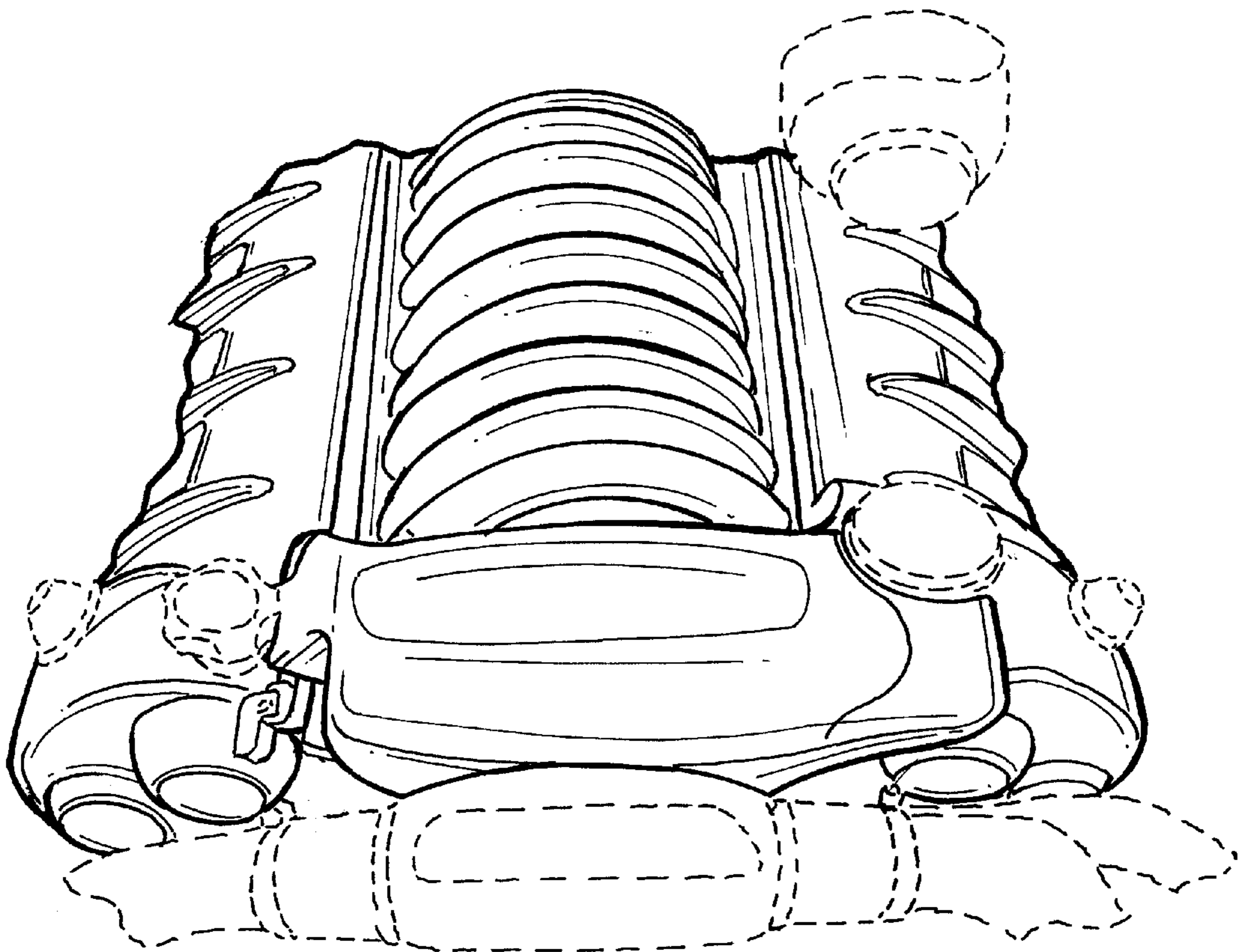


FIG. 3

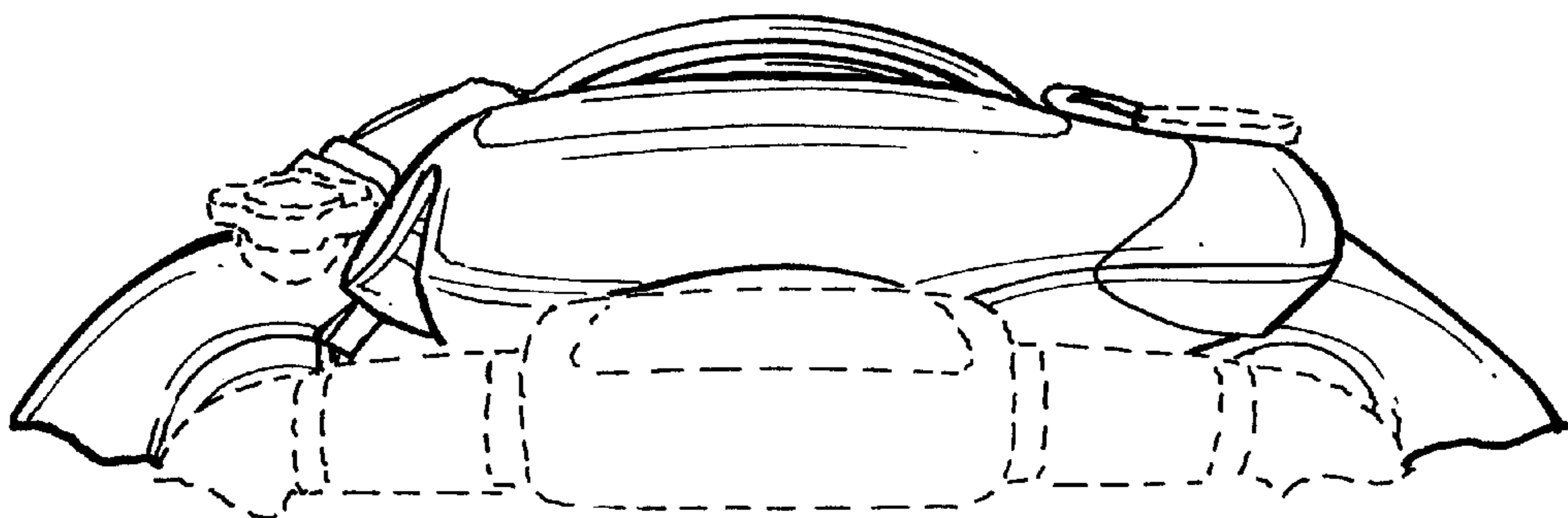


FIG. 4