



US00D466130S

(12) **United States Design Patent**  
**Hussaini et al.**

(10) **Patent No.:** **US D466,130 S**

(45) **Date of Patent:** **\*\* Nov. 26, 2002**

(54) **VIDEO ADAPTOR**

(75) Inventors: **Saied Hussaini**, Miami, FL (US); **Marc Iacovelli**, Miami, FL (US)

(73) Assignee: **Intec, Inc.**, Miami, FL (US)

(\*\*) Term: **14 Years**

(21) Appl. No.: **29/155,235**

(22) Filed: **Feb. 8, 2002**

(51) **LOC (7) Cl.** ..... **14-03**

(52) **U.S. Cl.** ..... **D14/496; D21/333**

(58) **Field of Search** ..... D21/324-333,  
D21/385; D14/496, 432, 454, 457, 447;  
273/148 B; 463/1, 2, 29-35, 46, 47

(56) **References Cited**

**U.S. PATENT DOCUMENTS**

4,844,465	A	*	7/1989	Hibino et al.	.....	273/148 B
D324,244	S	*	2/1992	Stamper et al.	.....	D21/333
D329,452	S	*	9/1992	Komada et al.	.....	D14/135
D340,048	S	*	10/1993	Tseng	.....	D14/433
5,259,626	A	*	11/1993	Ho	.....	273/148 B
5,372,225	A	*	12/1994	Joynes et al.	.....	273/148 B
D372,274	S	*	7/1996	Douglas et al.	.....	D21/333
5,964,661	A	*	10/1999	Dodge	.....	273/148 B

D440,980	S	*	4/2001	Chung	.....	D14/496
6,238,291	B1	*	5/2001	Fujimoto et al.	.....	273/148 B
6,409,601	B2	*	6/2002	Ogata et al.	.....	273/148 B

\* cited by examiner

*Primary Examiner*—Prabhakar Deshmukh

(74) *Attorney, Agent, or Firm*—Liniak, Berenato, Longacre & White

(57) **CLAIM**

The ornamental design for a video adaptor, as shown and described.

**DESCRIPTION**

FIG. 1 is a top view of the video adaptor according to the present invention.

FIG. 2 is a bottom view of the video adaptor of FIG. 1.

FIG. 3 is a front view of the video adaptor of FIG. 1.

FIG. 4 is a rear view of the video adaptor of FIG. 1.

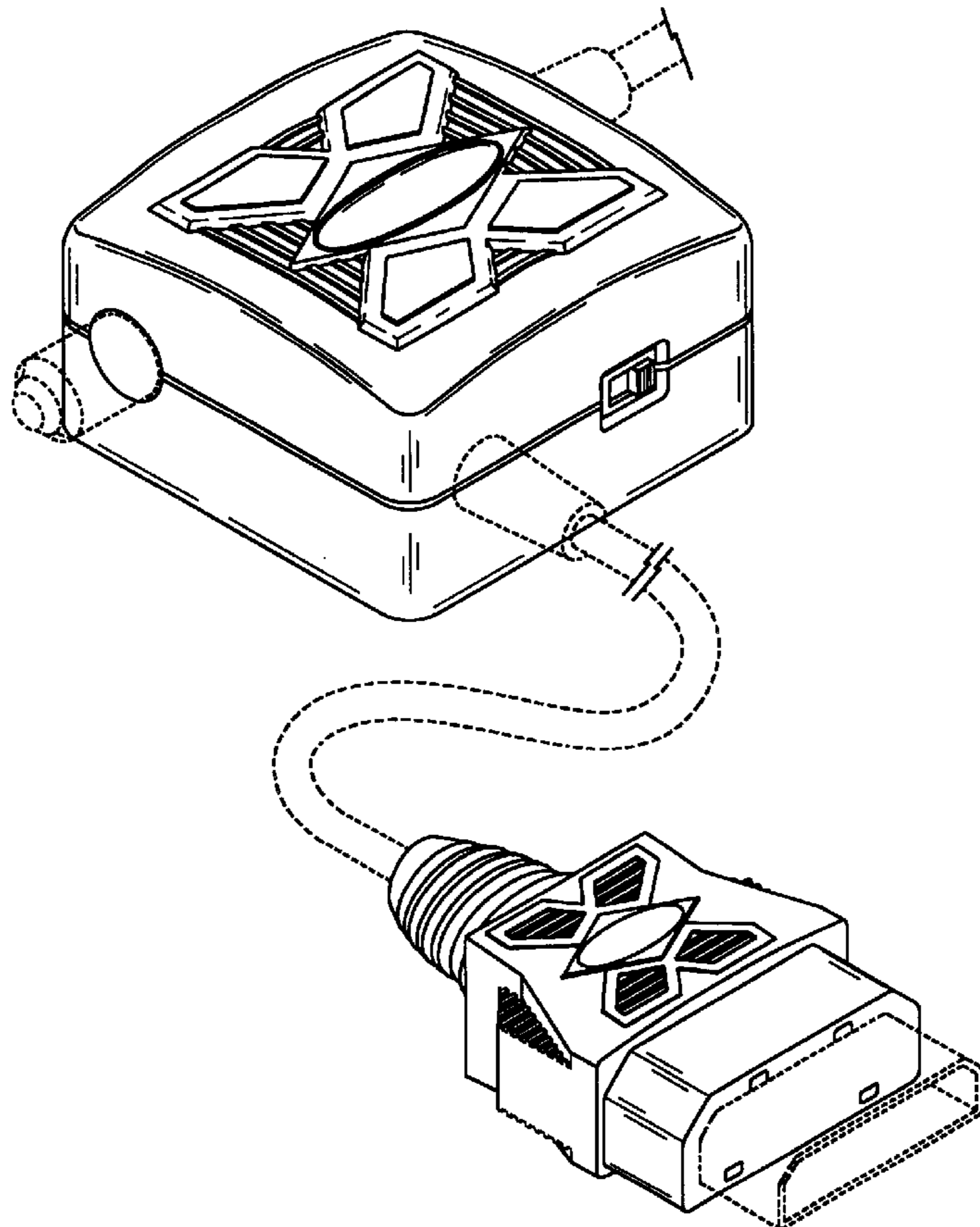
FIG. 5 is a left side view of the video adaptor of FIG. 1.

FIG. 6 is a right side view of the video adaptor of FIG. 1; and,

FIG. 7 is a front elevational perspective view of the video adaptor of FIG. 1.

The broken lines are for illustrative purpose only and forms no part of the claimed design.

**1 Claim, 4 Drawing Sheets**



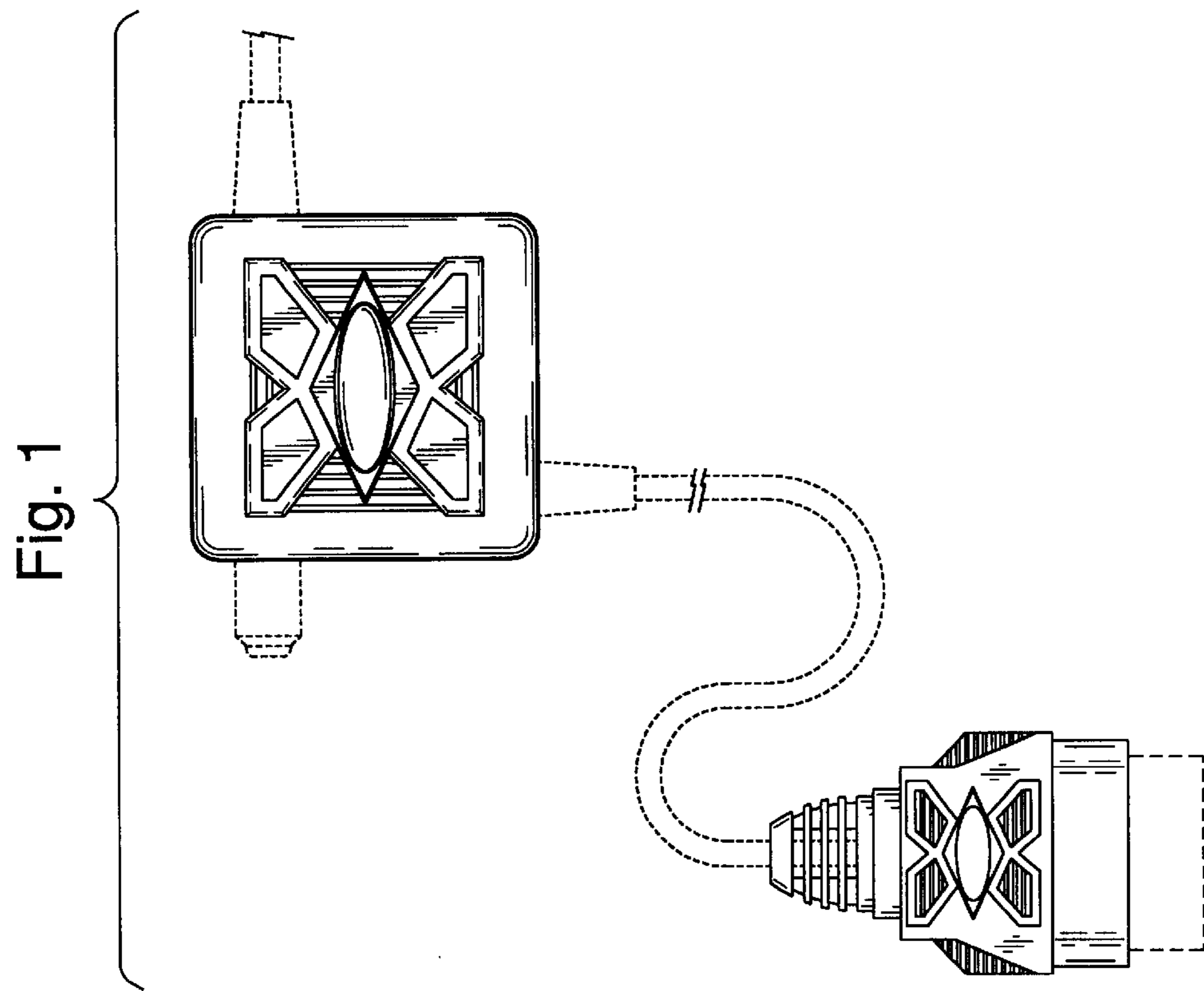
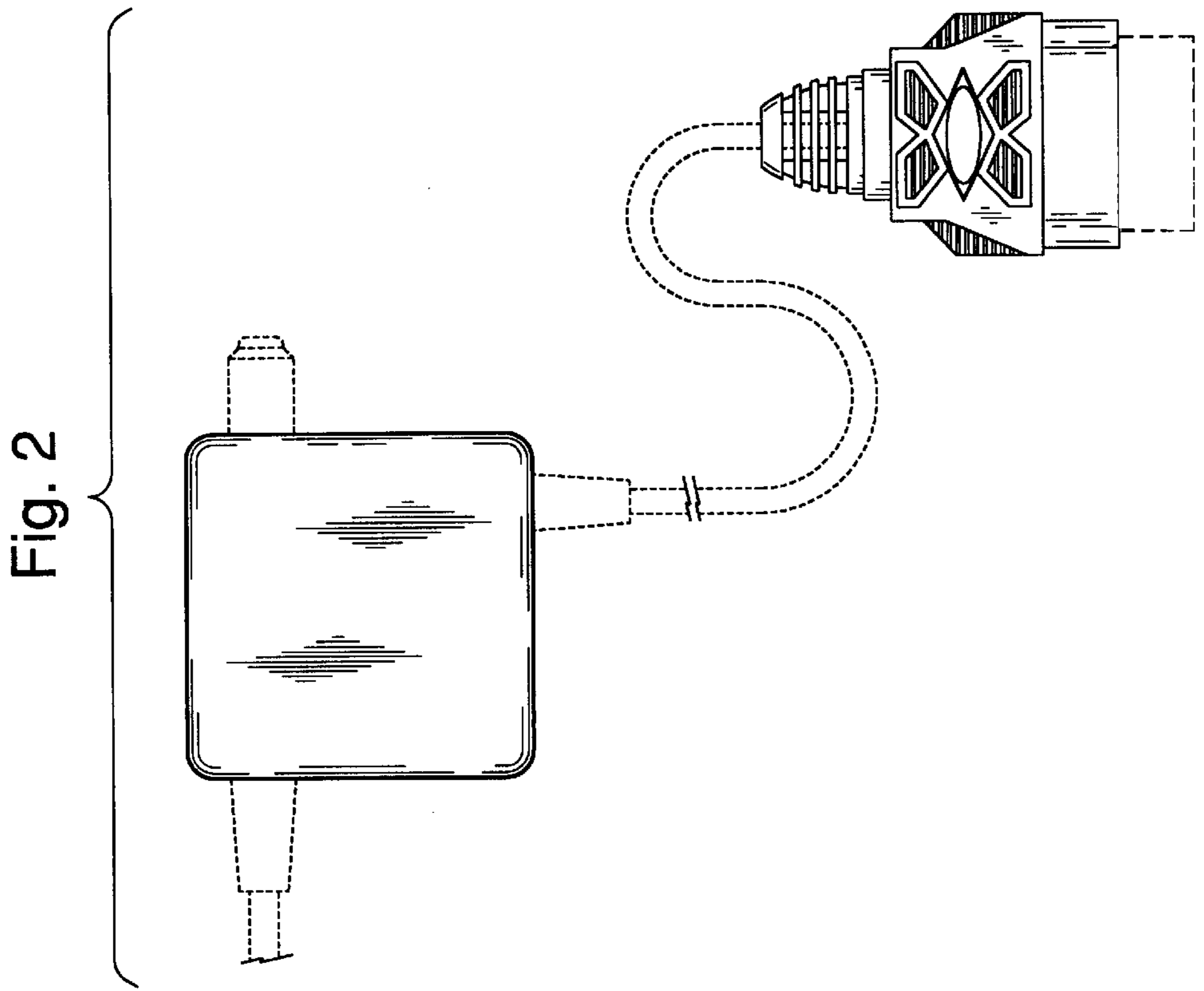


Fig. 4

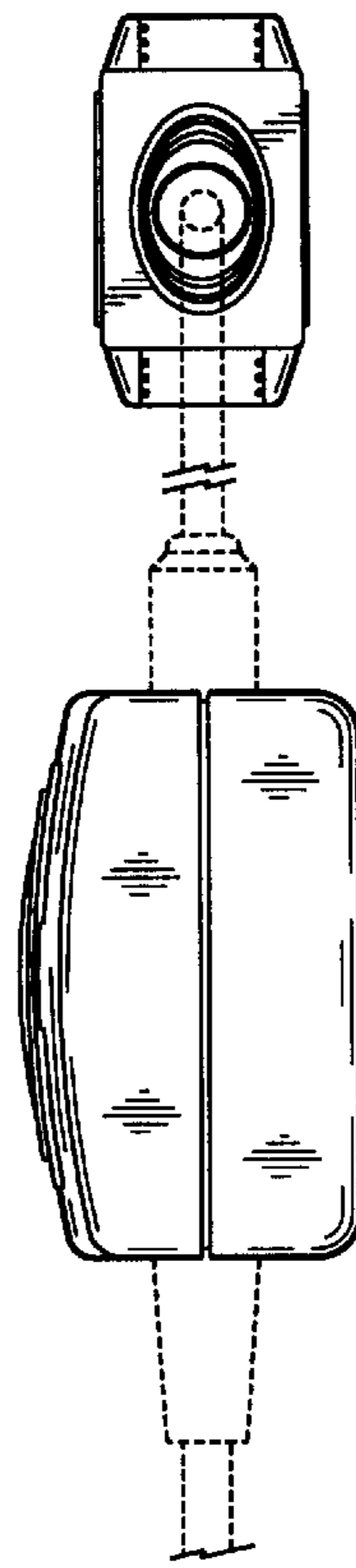


Fig. 3

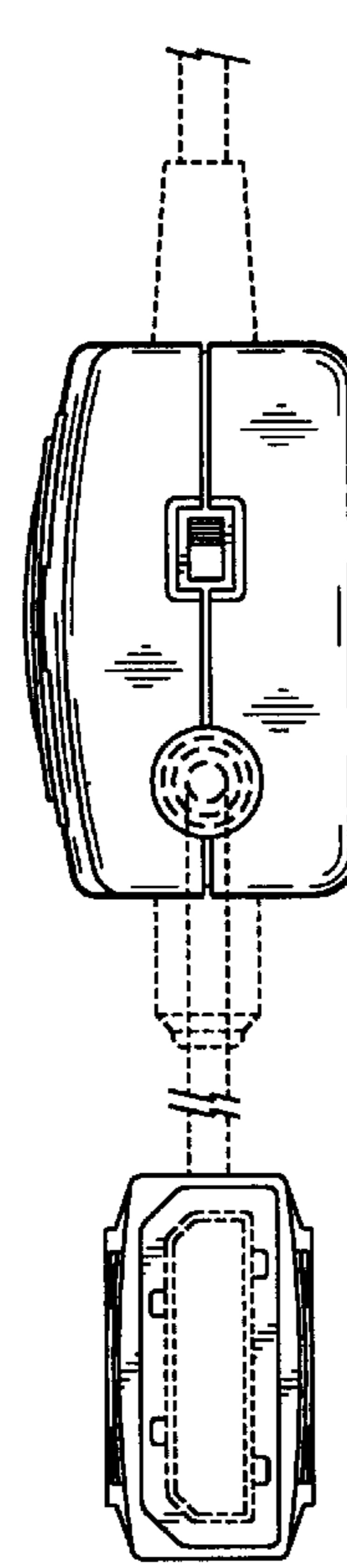


Fig. 6

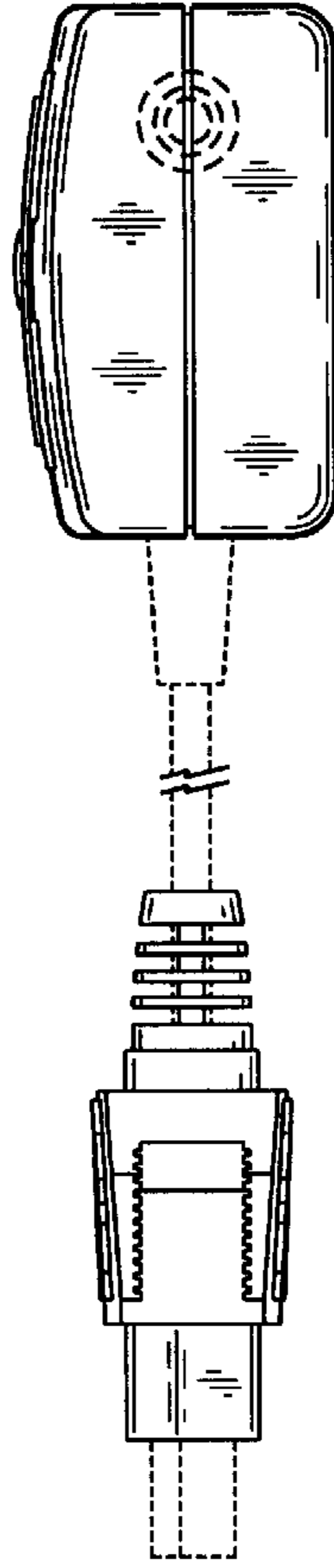


Fig. 5

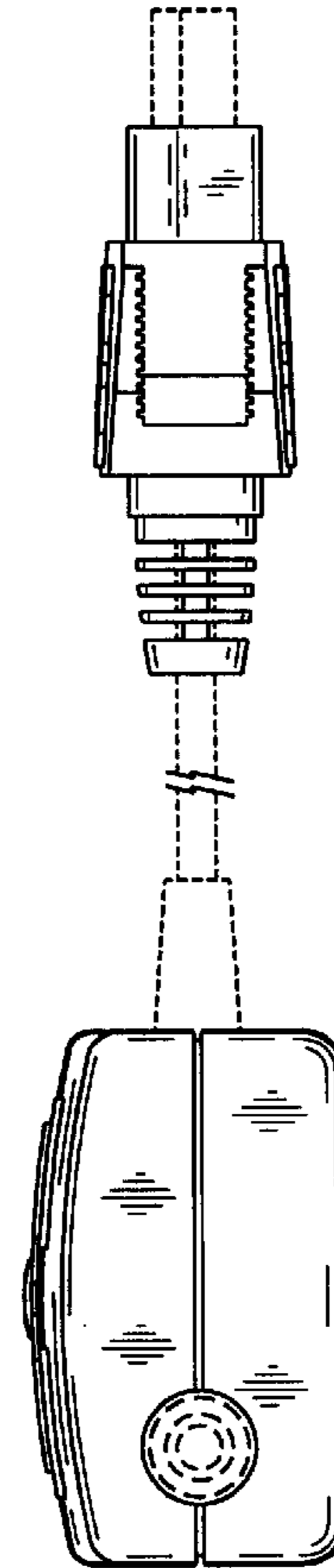


Fig. 7

