



US00D466127S

(12) **United States Design Patent**  
**Ishigami**

(10) **Patent No.:** **US D466,127 S**

(45) **Date of Patent:** **\*\* Nov. 26, 2002**

(54) **ACCESS DOOR/TRAY FOR FACSIMILE MACHINE**

(75) Inventor: **Michifumi Ishigami**, Nagoya (JP)

(73) Assignee: **Brother Industries, Ltd.**, Aichi-ken (JP)

(\*\*) Term: **14 Years**

(21) Appl. No.: **29/151,910**

(22) Filed: **Dec. 14, 2001**

(30) **Foreign Application Priority Data**

Jun. 25, 2001 (JP) ..... 2001-018316

(51) **LOC (7) Cl.** ..... **16-03**

(52) **U.S. Cl.** ..... **D14/471**

(58) **Field of Search** ..... D14/462-471;  
358/400, 401, 305, 442

(56) **References Cited**

**U.S. PATENT DOCUMENTS**

D310,215 S	*	8/1990	Tsukada et al.	.....	D14/468
D340,240 S	*	10/1993	Dow et al.	.....	D14/471
D355,179 S	*	2/1995	Sawada	.....	D14/468
D355,906 S	*	2/1995	Yoshihara et al.	.....	D14/468
5,387,980 A	*	2/1995	Baitz et al.	.....	358/400
D363,713 S	*	10/1995	Kanari et al.	.....	D14/468
D386,490 S	*	11/1997	Fujimoto	.....	D14/468
5,986,776 A	*	11/1999	Park	.....	358/400

\* cited by examiner

*Primary Examiner*—Prabhakar Deshmukh

(74) *Attorney, Agent, or Firm*—Oliff & Berridge, PLC

(57) **CLAIM**

The ornamental design for access door/tray for facsimile machine, as shown and described.

**DESCRIPTION**

FIG. 1 is a front view of an access door/tray for facsimile machine with the access door/tray in a retracted position;

FIG. 2 is a top view thereof;

FIG. 3 is a perspective view thereof;

FIG. 4 is a perspective view thereof with the access door/tray in a partially extended position;

FIG. 5 is a front view thereof with the access door/tray in a partially extended position;

FIG. 6 is a top view thereof with the access door/tray in a partially extended position;

FIG. 7 is a bottom view thereof with the access door/tray in a partially extended position;

FIG. 8 is a left side view thereof with the access door/tray in a partially extended position;

FIG. 9 is a right side view thereof with the access door/tray in a partially extended position;

FIG. 10 is a perspective view thereof with the access door/tray in a fully extended position;

FIG. 11 is a front view thereof with the access door/tray in a fully extended position;

FIG. 12 is a top view thereof with the access door/tray in a fully extended position;

FIG. 13 is a bottom view thereof with the access door/tray in a fully extended position;

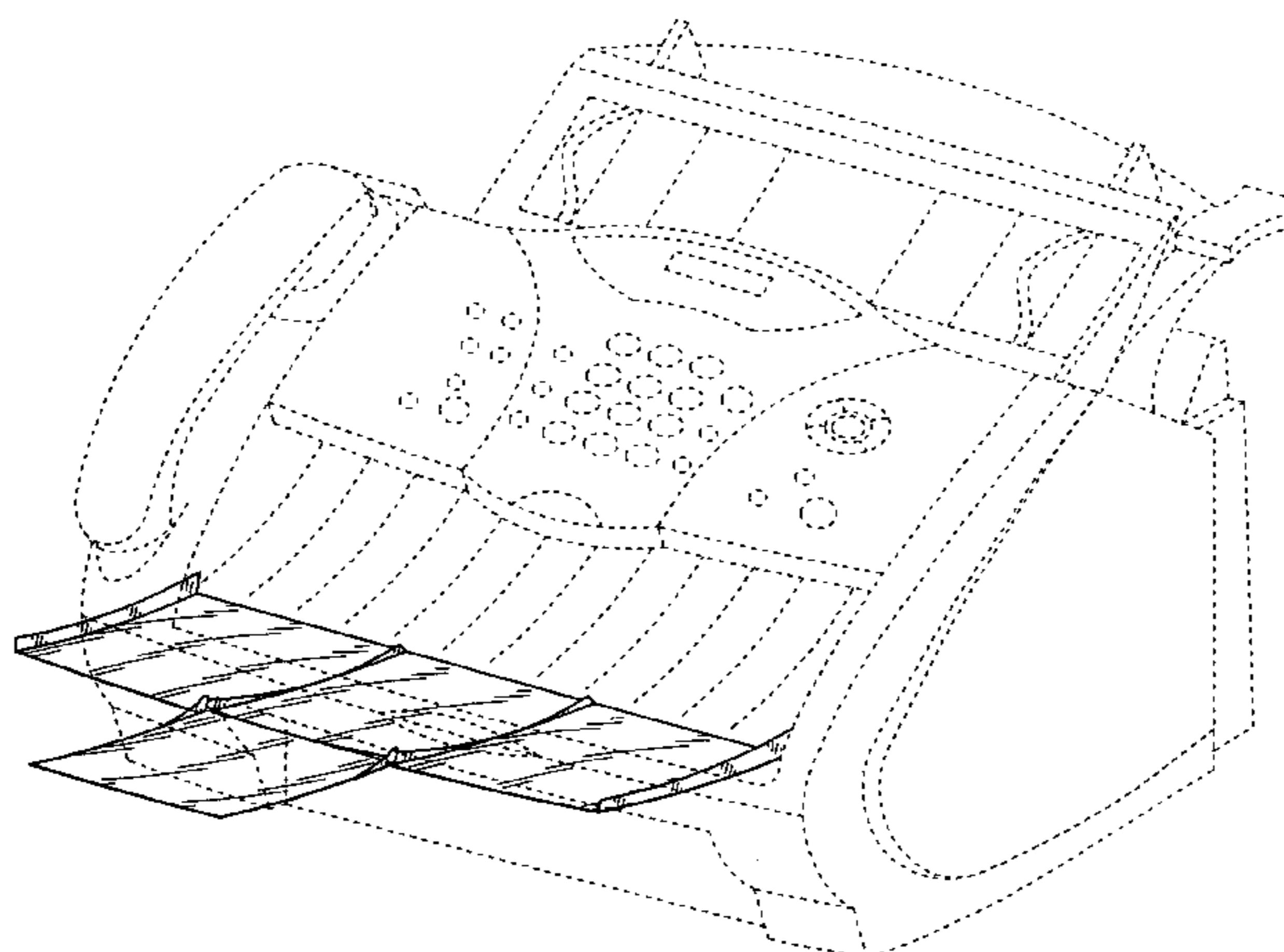
FIG. 14 is a left side view thereof with the access door/tray in a fully extended position; and,

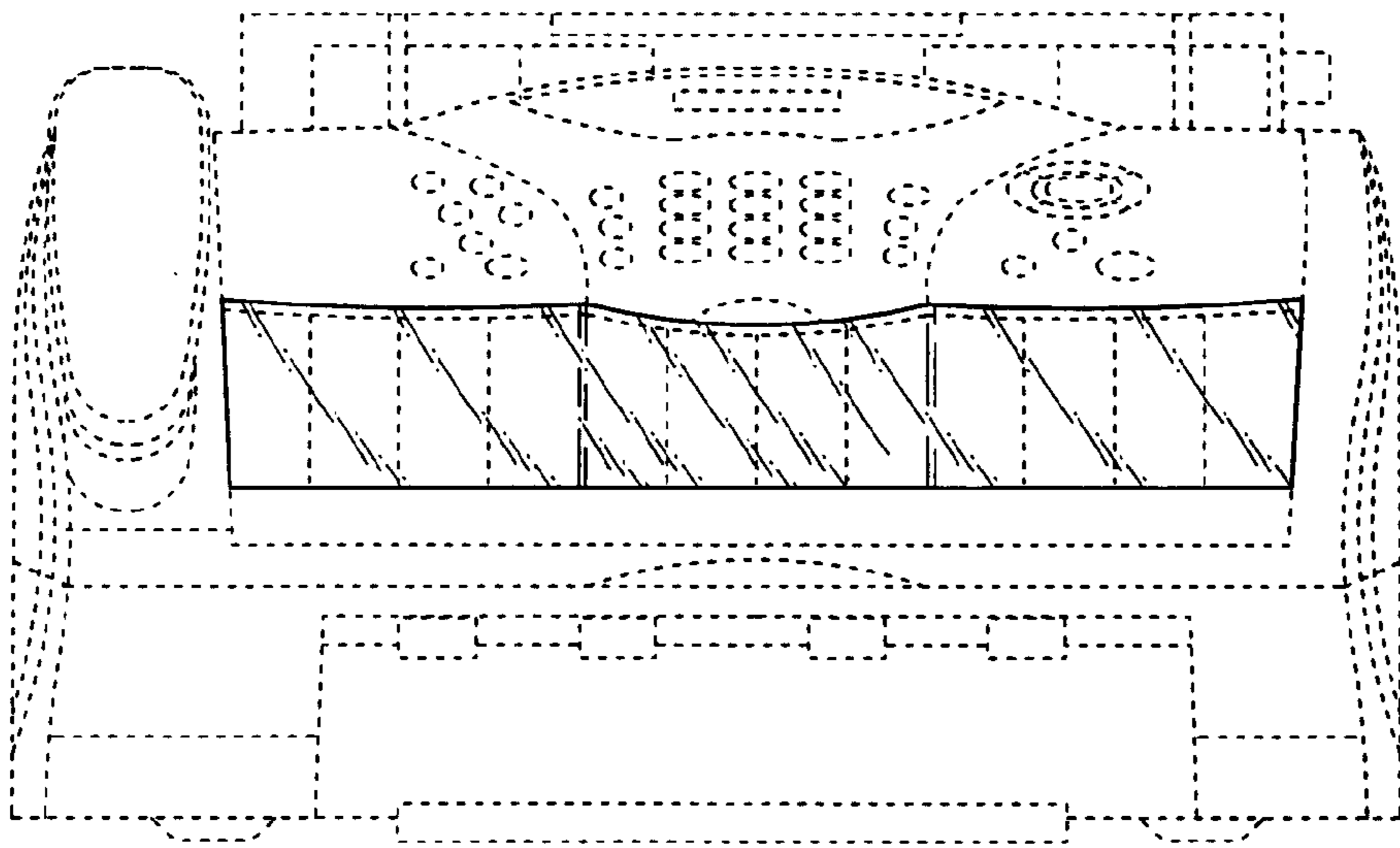
FIG. 15 is a right-side view thereof with the access door/tray in a fully extended position.

The rear view with the access door/tray in the retracted, partially extended, and fully extended positions, and the left, right and bottom views with the access door/tray in the retracted position, contain no ornamentality and are omitted.

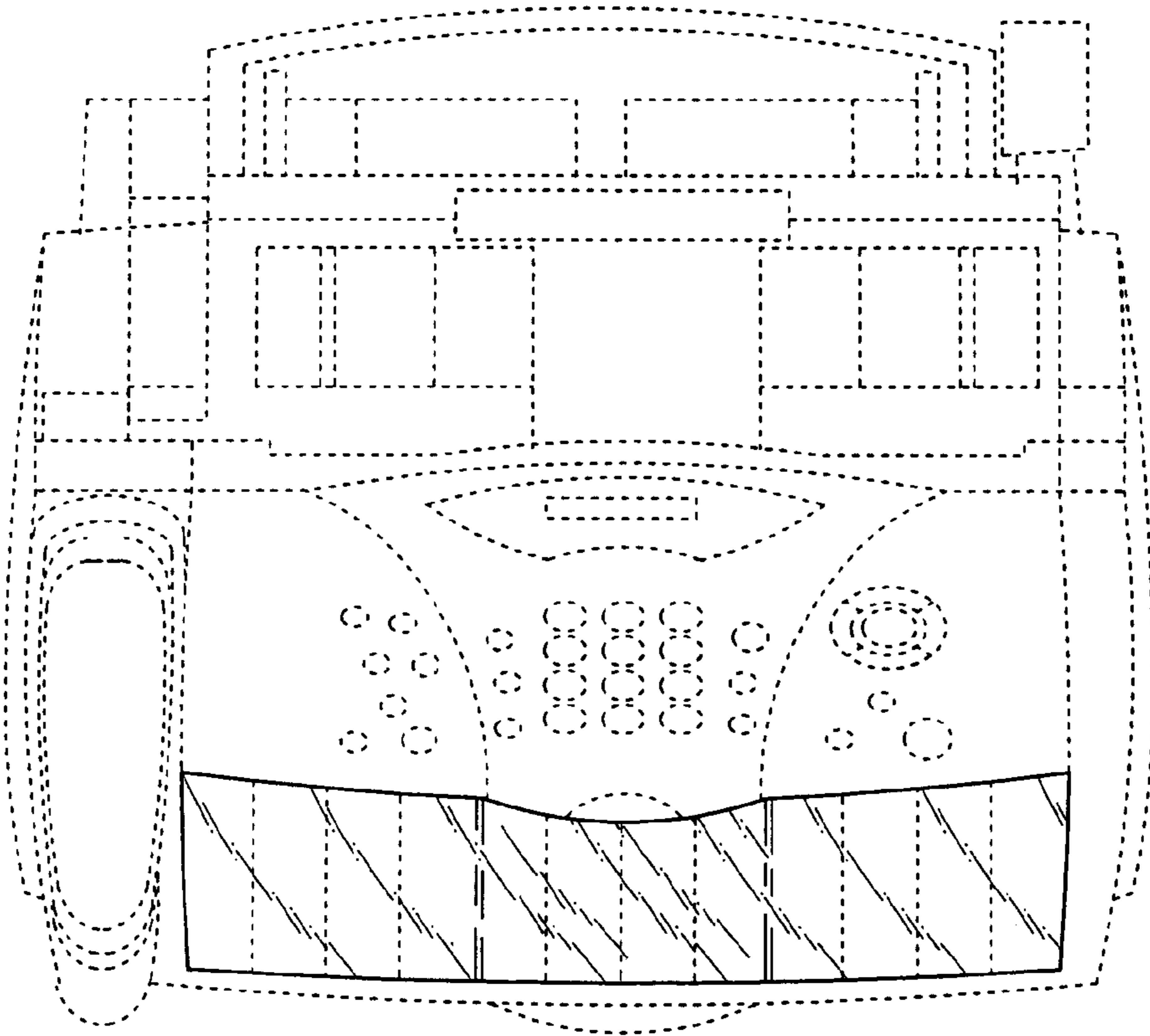
The broken lines define the bounds of the claimed design but do not form part of the claimed design.

**1 Claim, 11 Drawing Sheets**





*Fig. 1*



*Fig. 2*

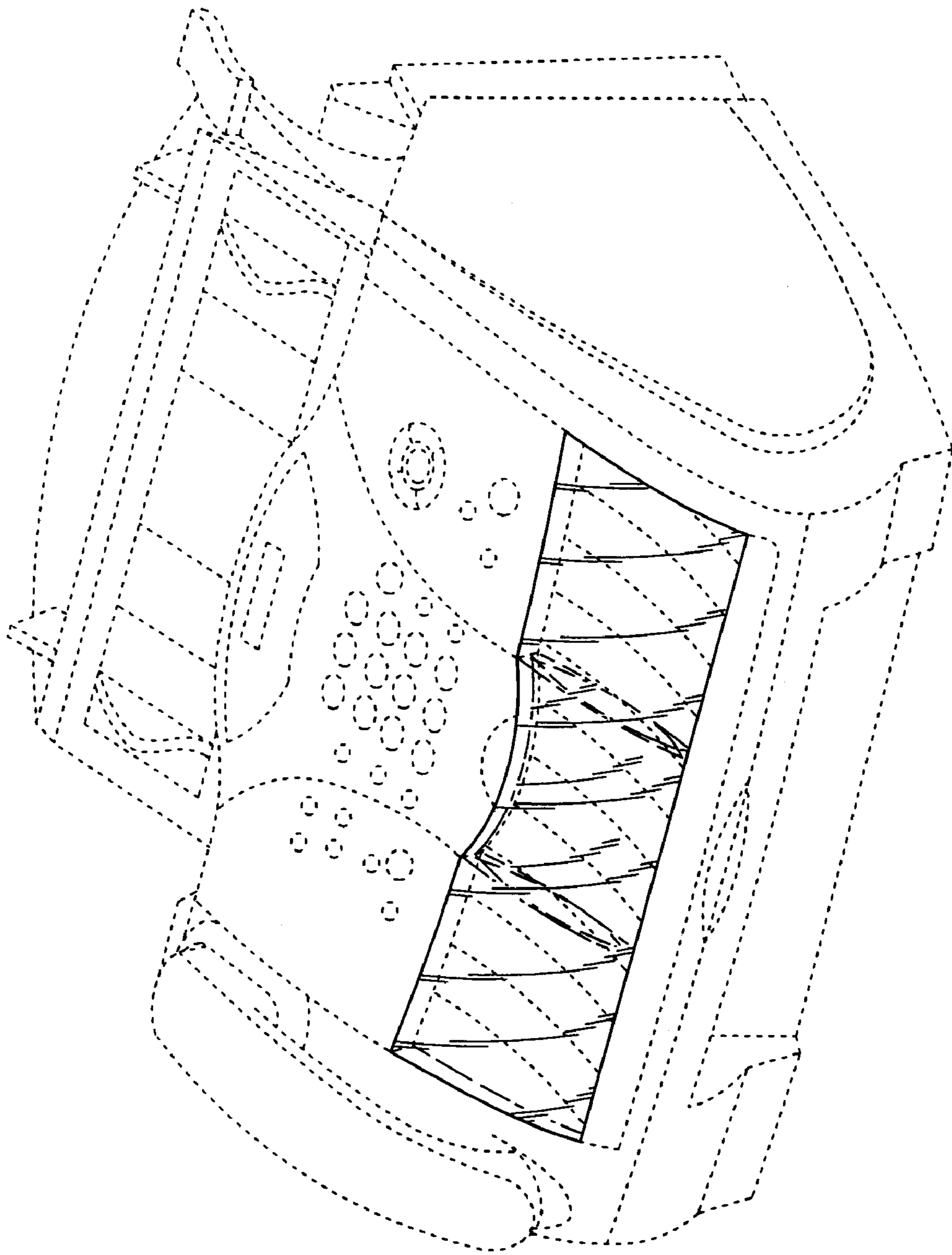


Fig. 3

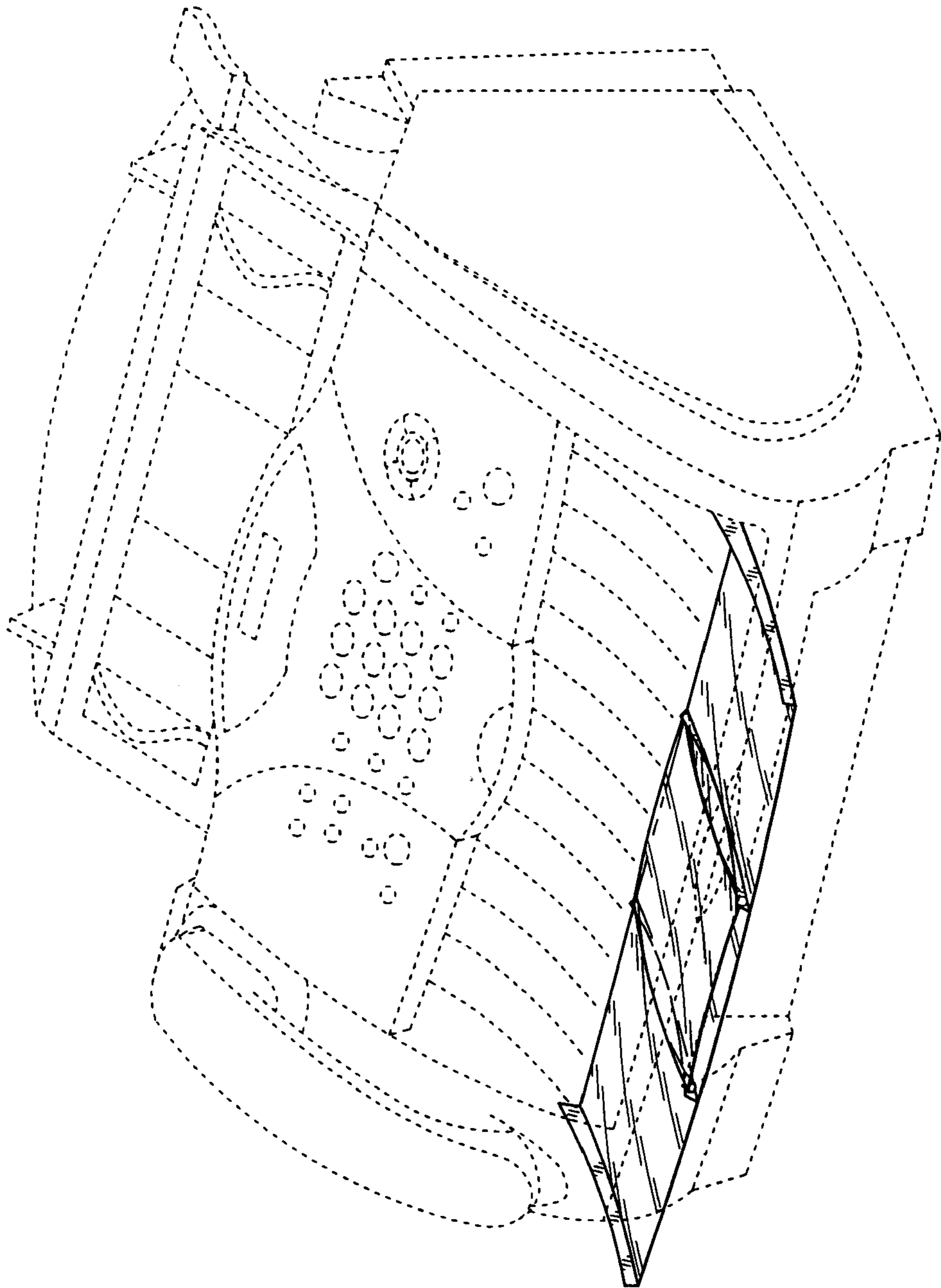
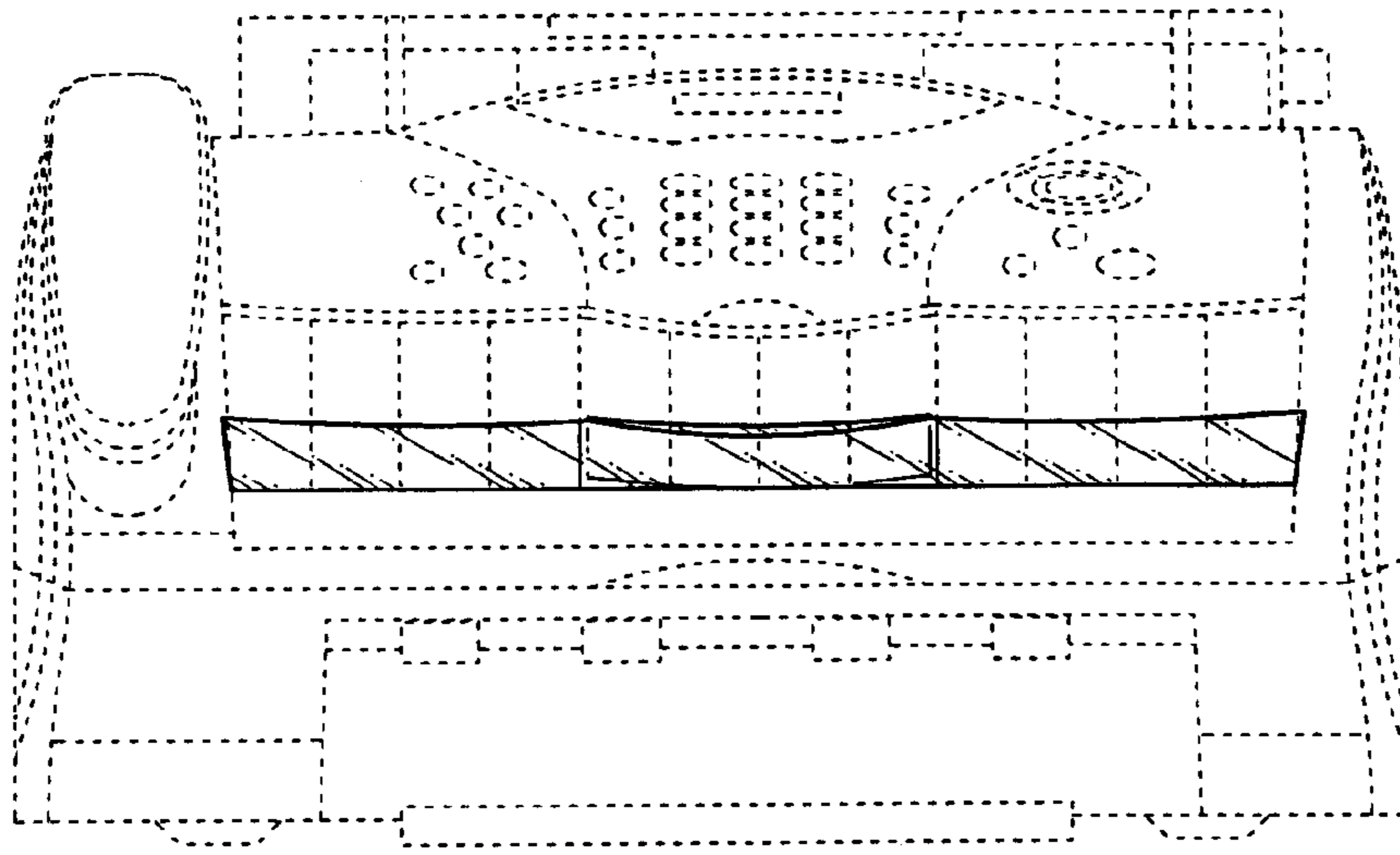
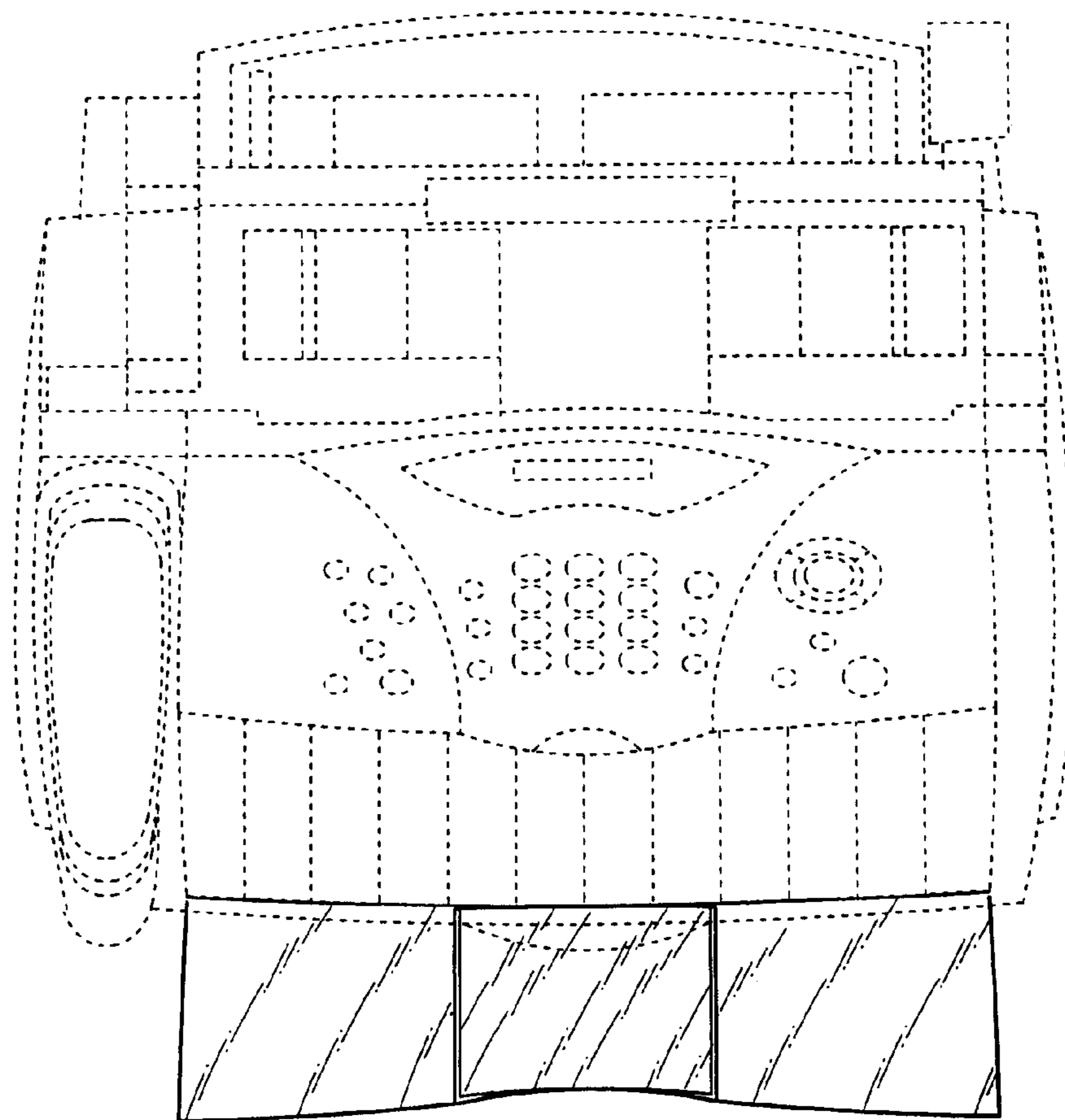


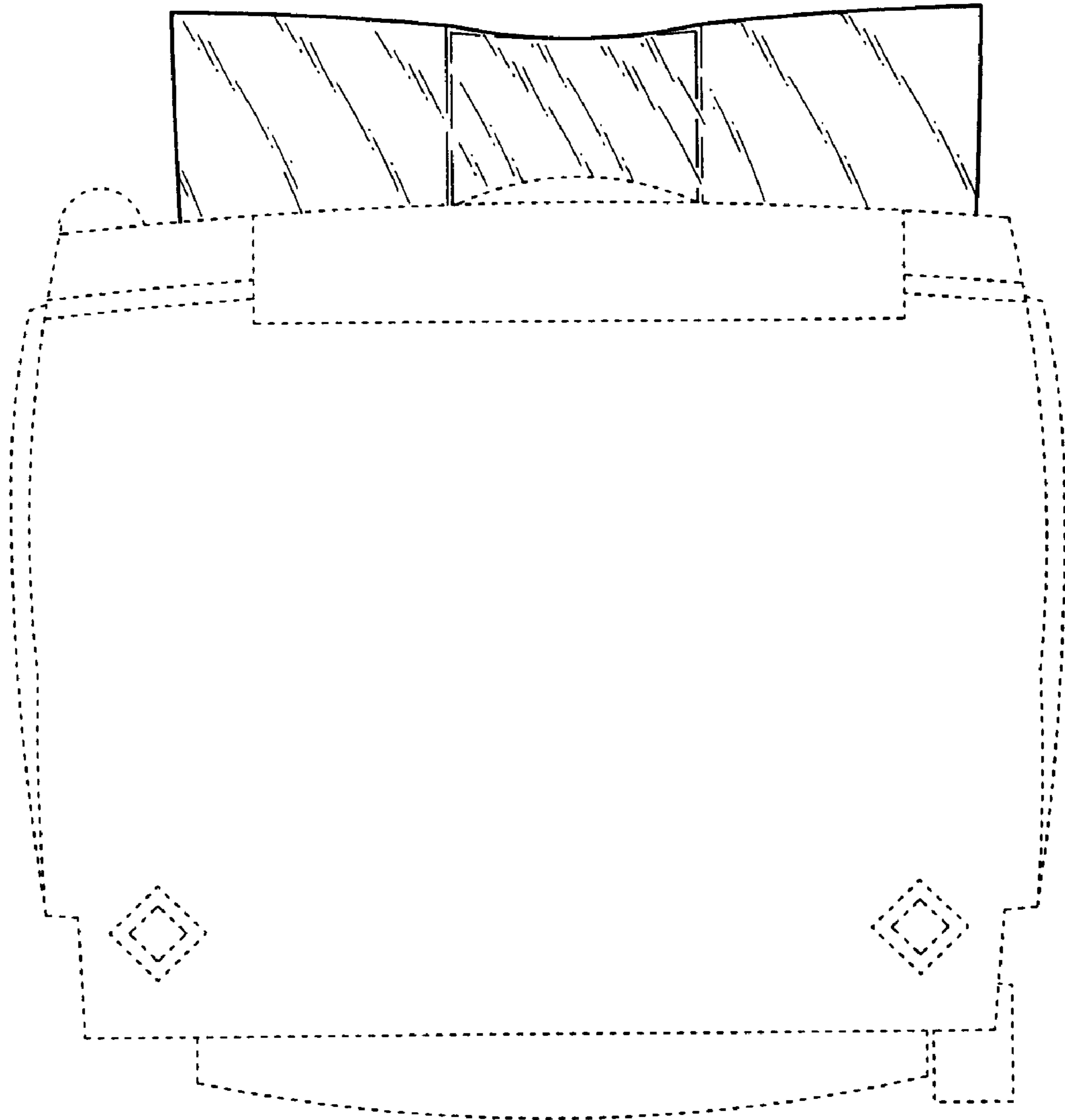
Fig. 4



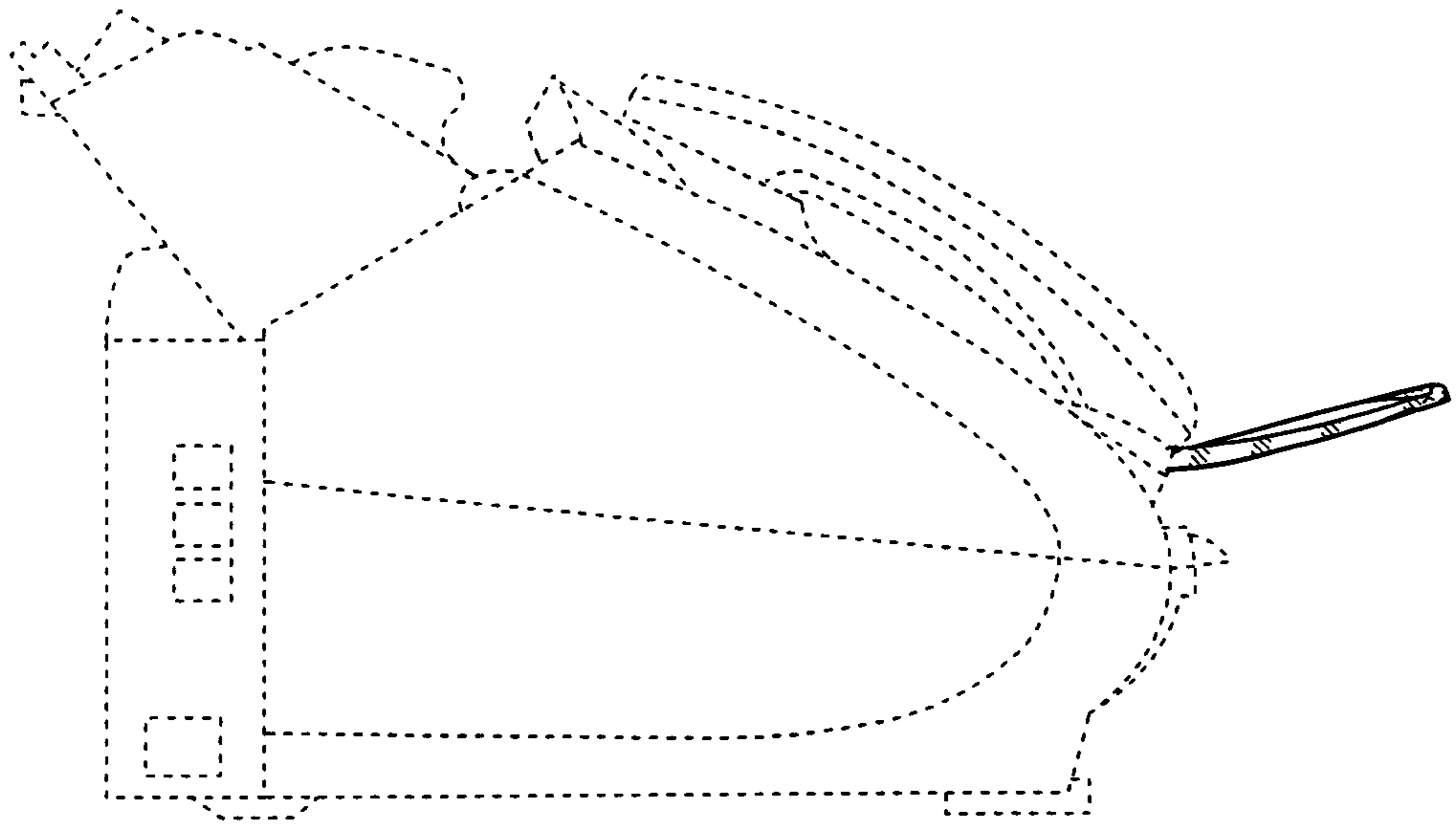
*Fig. 5*



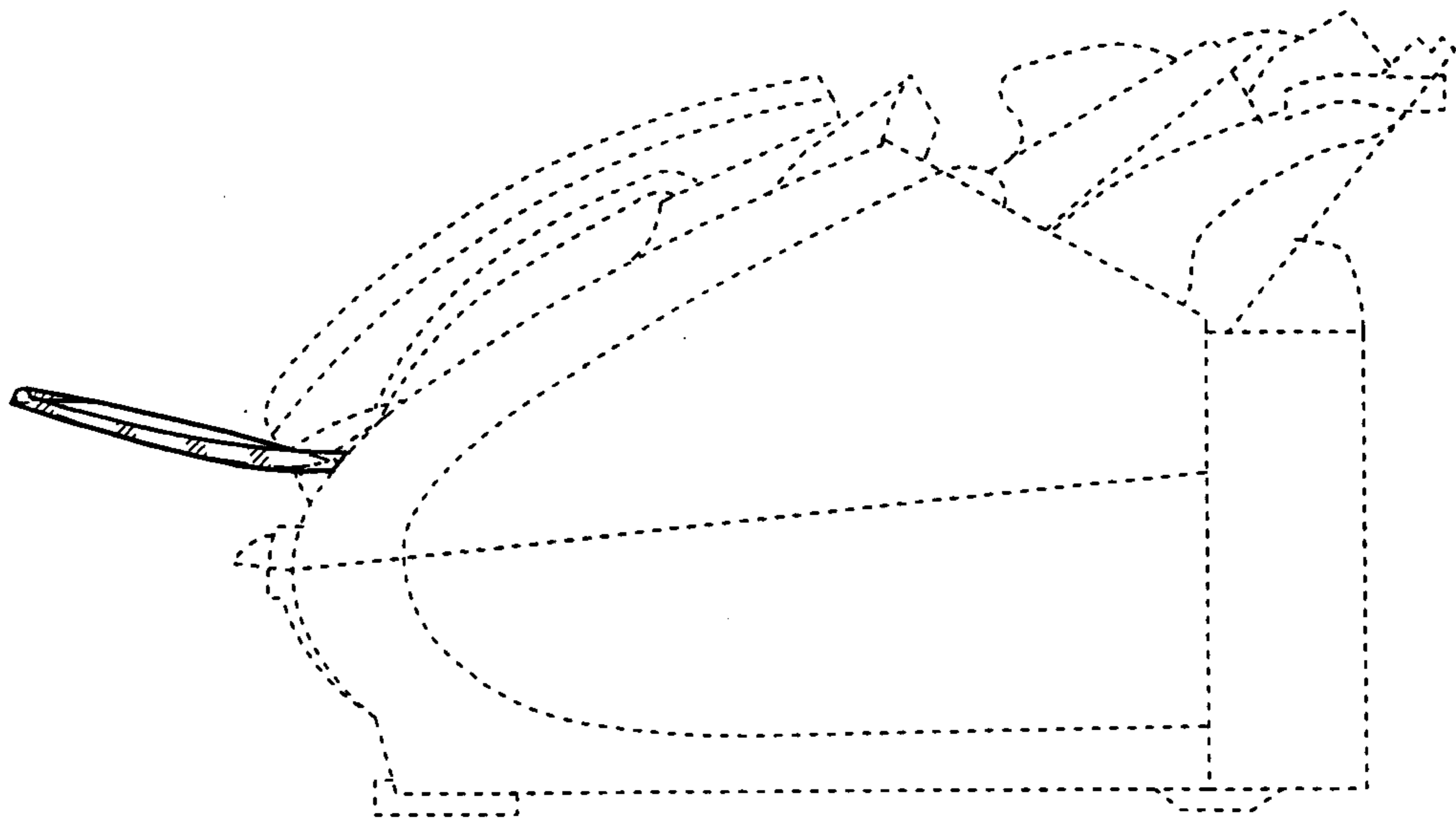
*Fig. 6*



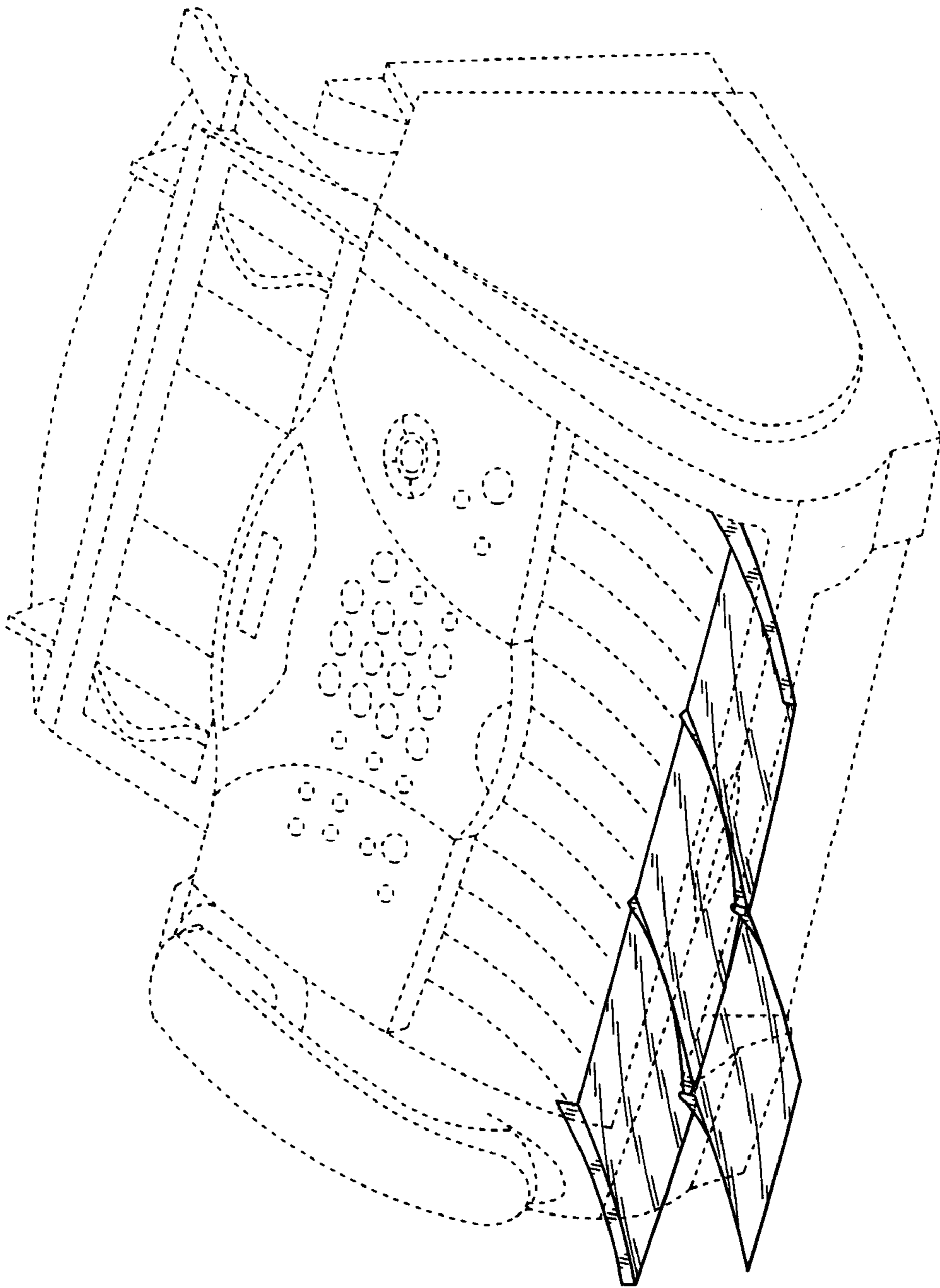
*Fig. 7*



*Fig. 8*

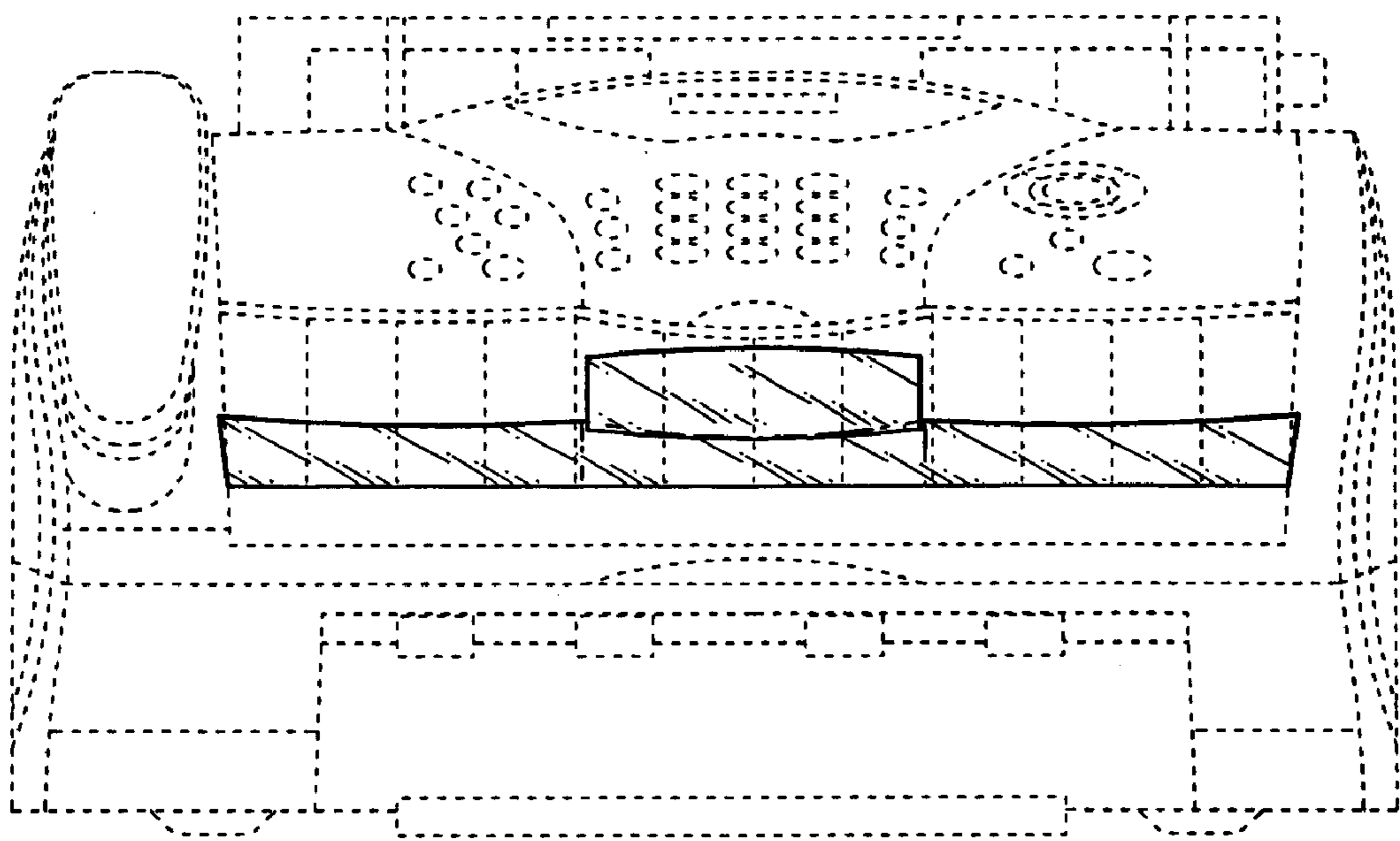


*Fig. 9*

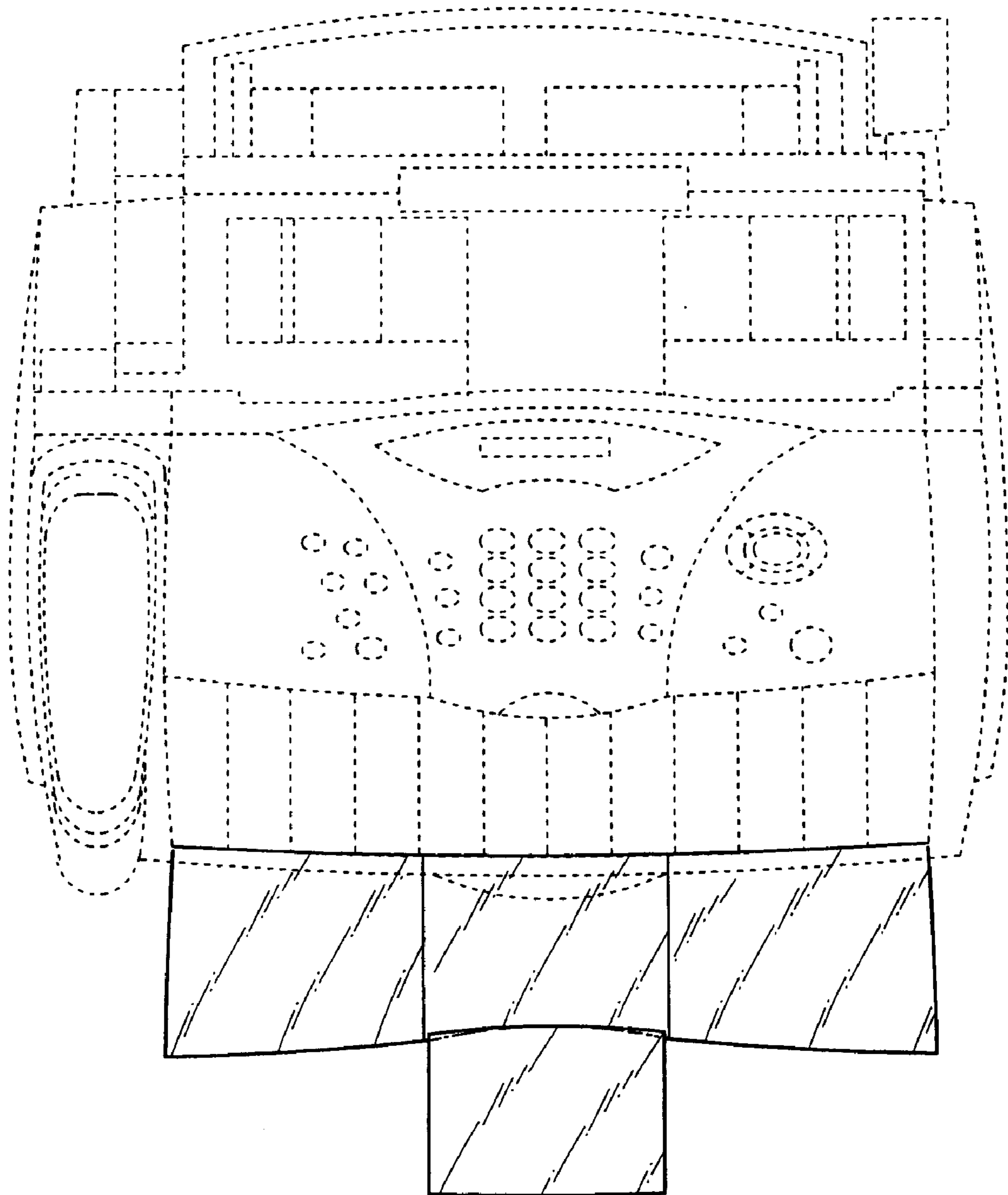


*Fig. 10*

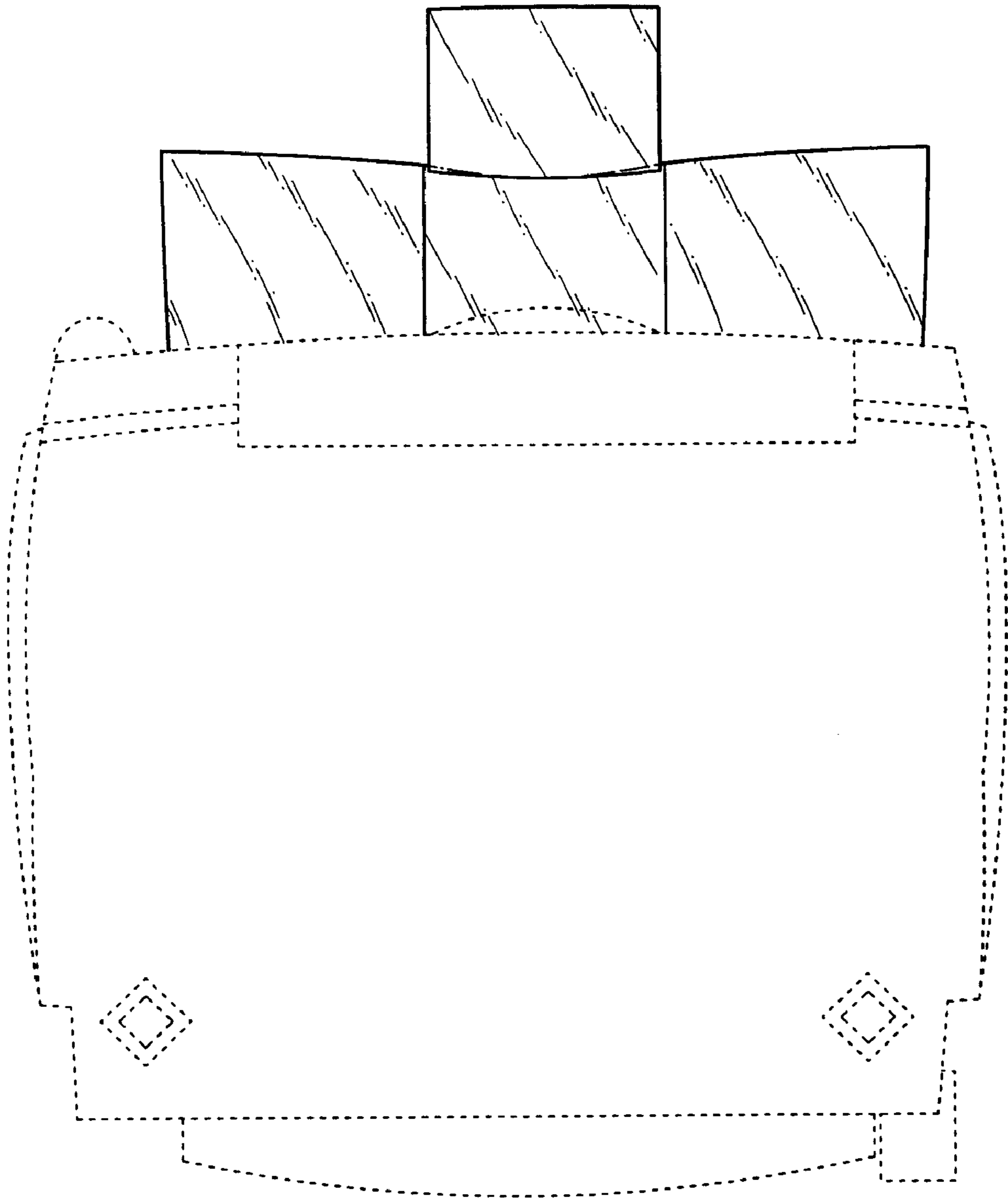




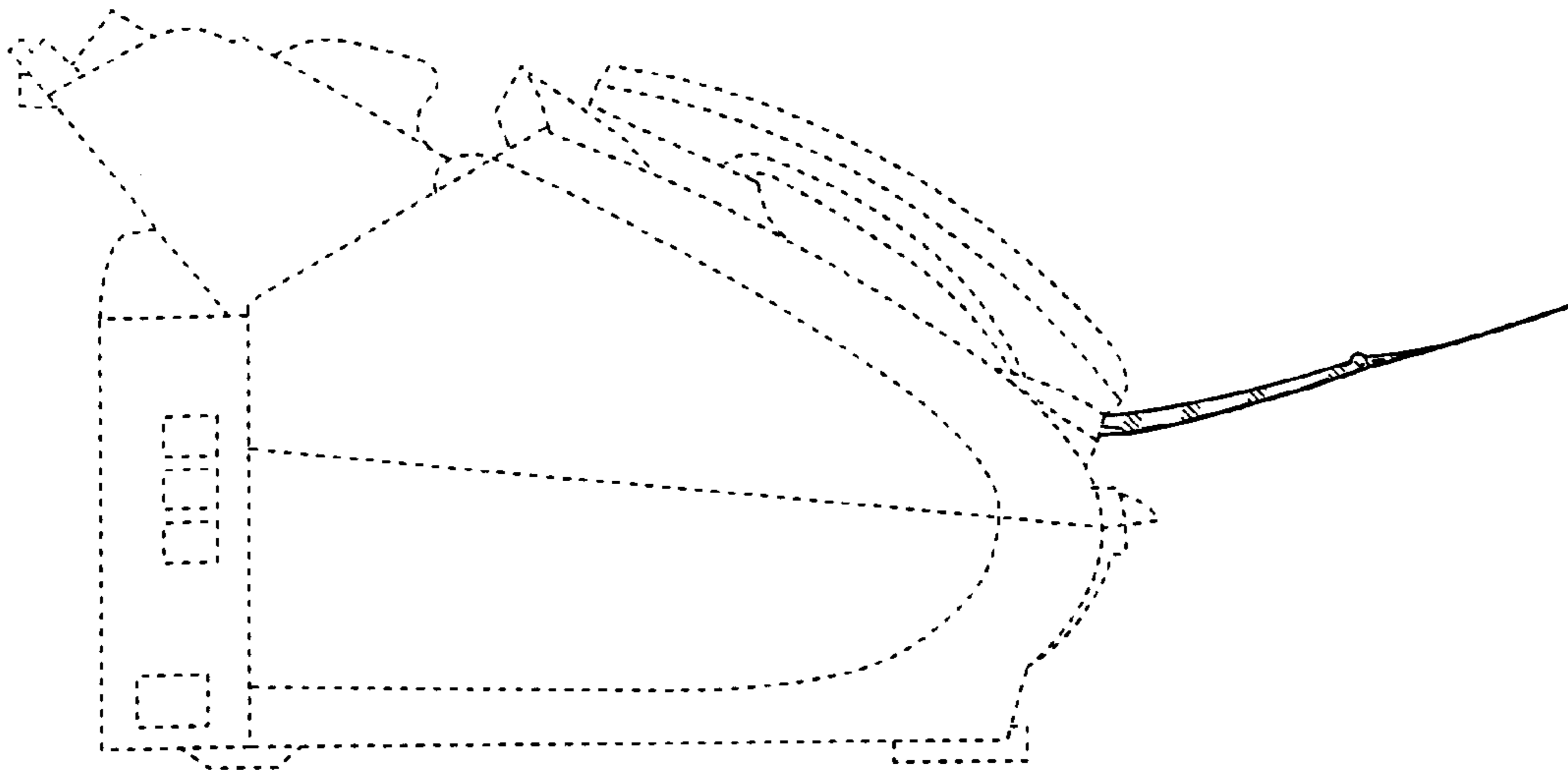
*Fig.11*



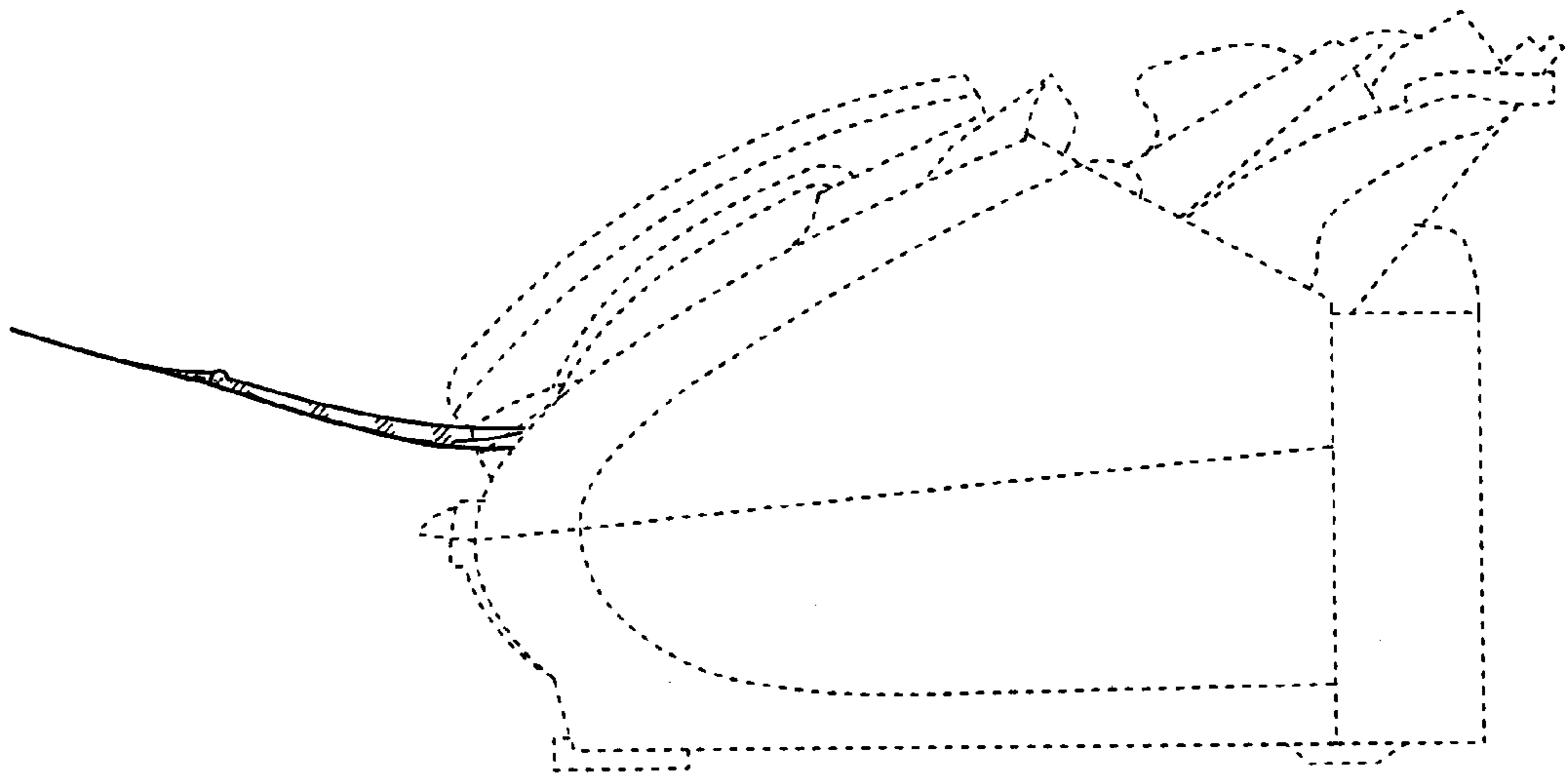
*Fig. 12*



*Fig. 13*



*Fig. 14*



*Fig. 15*