



US00D466123S

(12) **United States Design Patent**
Johnson et al.

(10) **Patent No.:** **US D466,123 S**

(45) **Date of Patent:** **** Nov. 26, 2002**

(54) **CASING WITH MEMORY CARD STORAGE**

(75) Inventors: **Timothy Johnson**, Algonquin, IL (US);
Aimee J. Volanski, Chicago, IL (US);
David Gaffney, Evanston, IL (US)

(73) Assignee: **First International Digital, Inc.**,
Schaumburg, IL (US)

(**) Term: **14 Years**

(21) Appl. No.: **29/132,995**

(22) Filed: **Nov. 20, 2000**

(51) **LOC (7) Cl.** **14-02**

(52) **U.S. Cl.** **D14/435**

(58) **Field of Search** D14/435-438;
235/492, 487, 380, 381, 441; 361/736,
737, 752; 273/148 B; 360/131-133; 463/43-47;
40/124.01

(56) **References Cited**

U.S. PATENT DOCUMENTS

- D257,675 S * 12/1980 Green et al. D14/435
- D334,924 S * 4/1993 Crawford et al. D14/435
- D410,457 S * 6/1999 Eyler D14/434

- D444,789 S * 7/2001 Obata D14/436
- D451,099 S * 11/2001 Lee D14/435
- D452,244 S * 12/2001 Wallace et al. D14/436

* cited by examiner

Primary Examiner—Kay H. Chin

(74) *Attorney, Agent, or Firm*—Hamman & Benn; Adam K. Sacharoff

(57) **CLAIM**

The ornamental design for a casing with memory card storage, as shown and described.

DESCRIPTION

FIG. 1 is an isometric view of a casing with memory card storage;

FIG. 2 is an exploded isometric view thereof, the broken line showing a memory card is for illustrative purposes only and forms no part of the claimed design;

FIG. 3 is a front elevational view thereof;

FIG. 4 is a right side elevational view thereof;

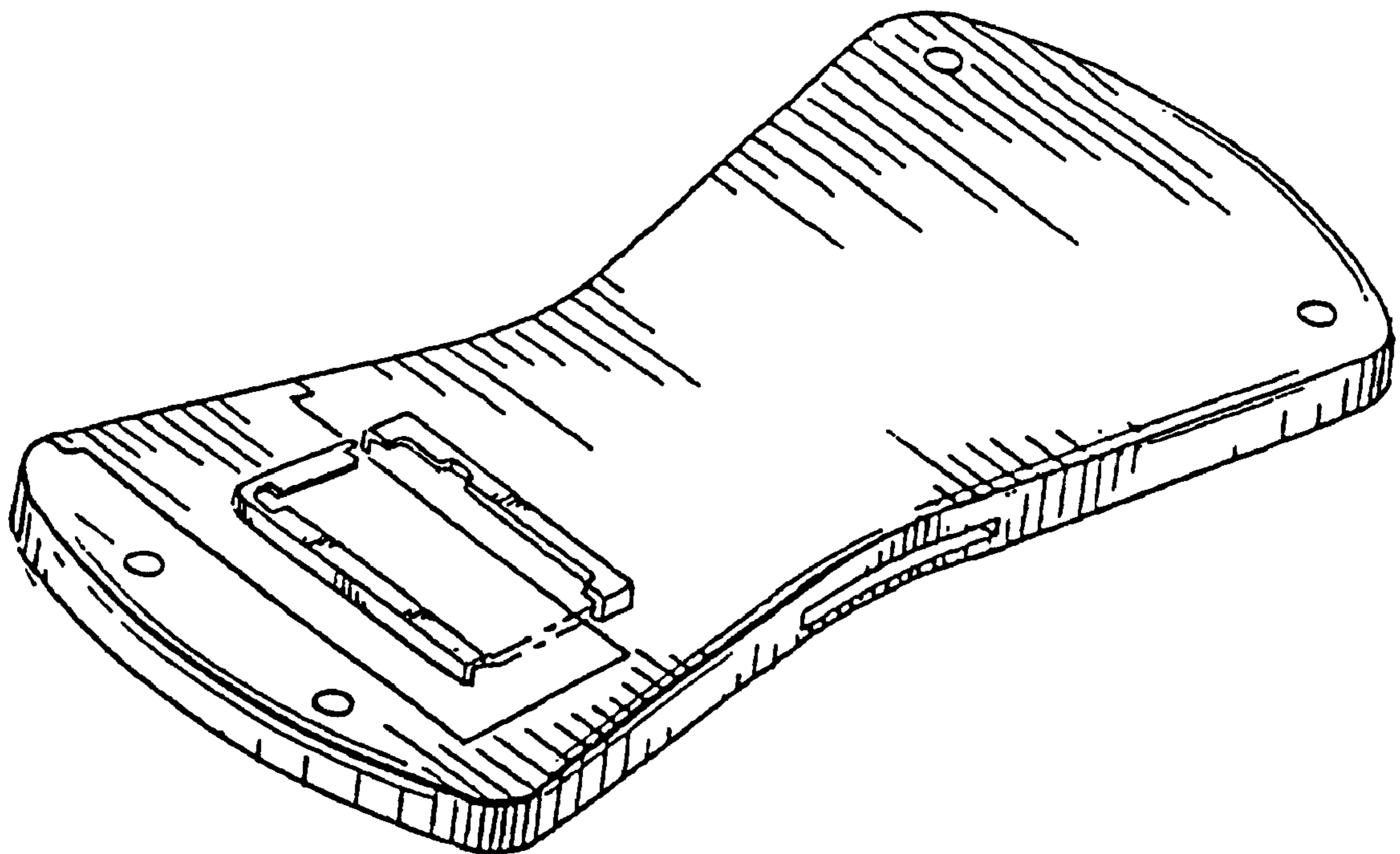
FIG. 5 is a left side elevational view thereof;

FIG. 6 is a rear elevational view thereof;

FIG. 7 is a top plan view thereof; and,

FIG. 8 is a bottom plan view thereof.

1 Claim, 3 Drawing Sheets



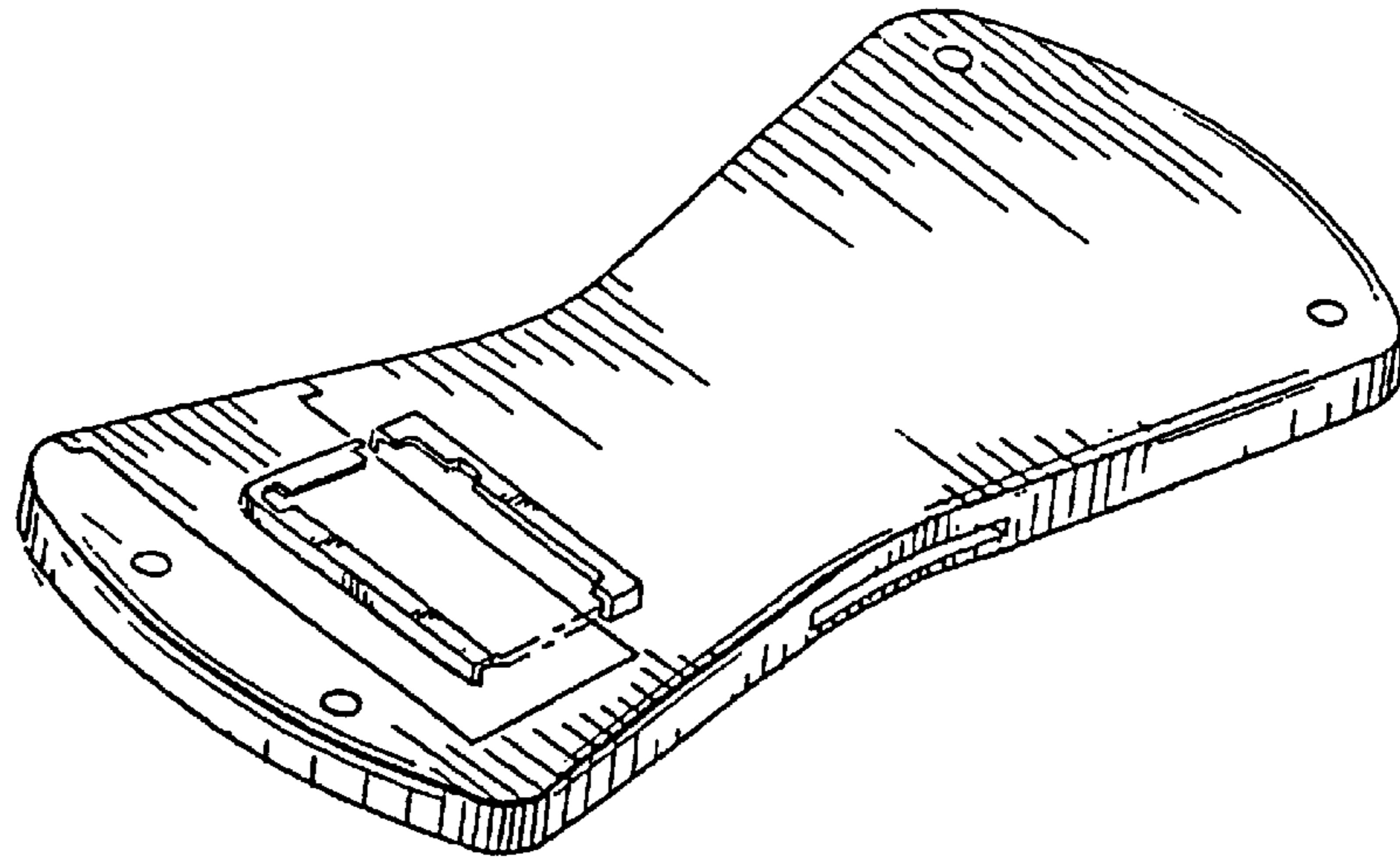


FIG. 1

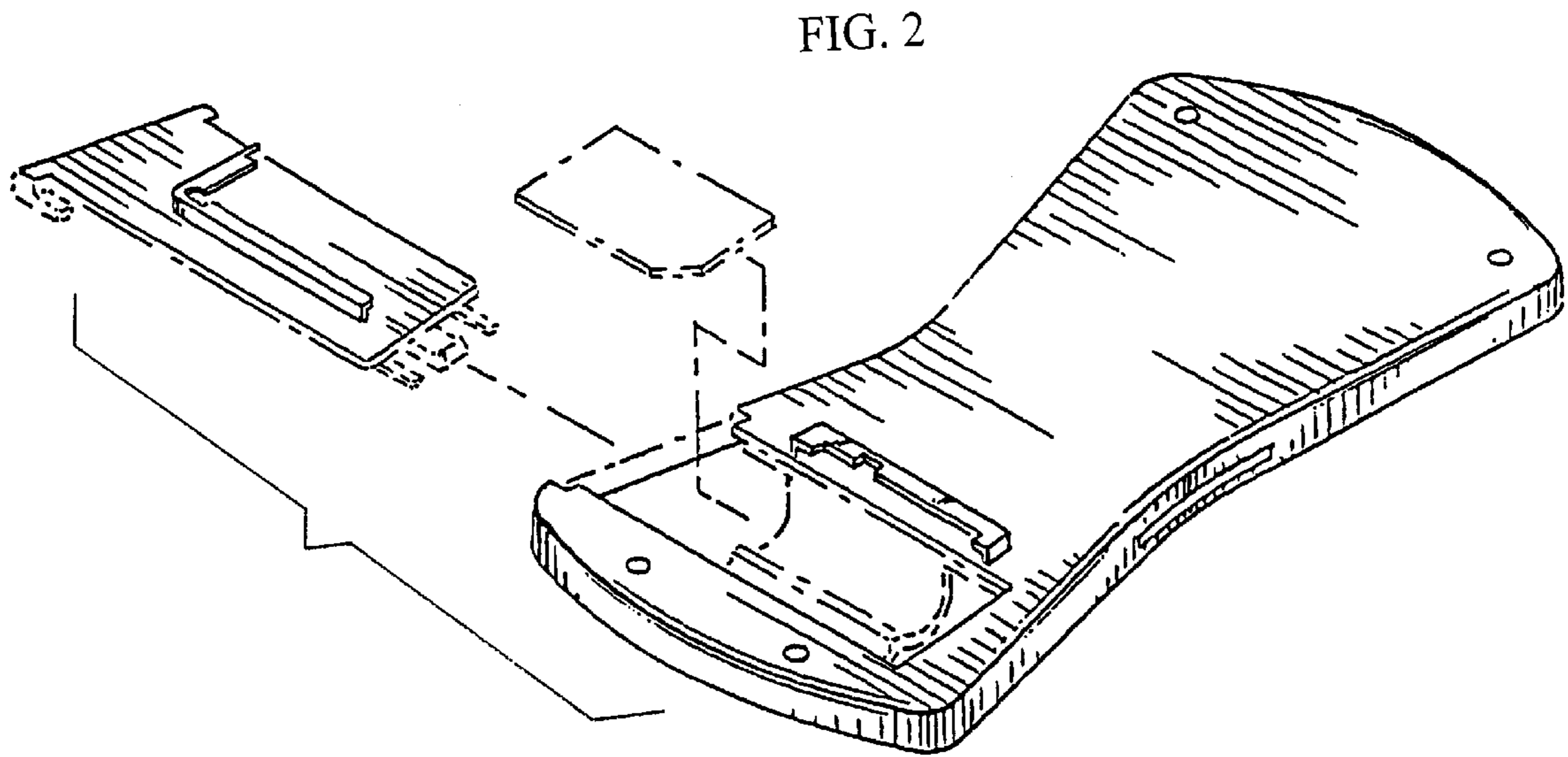


FIG. 2

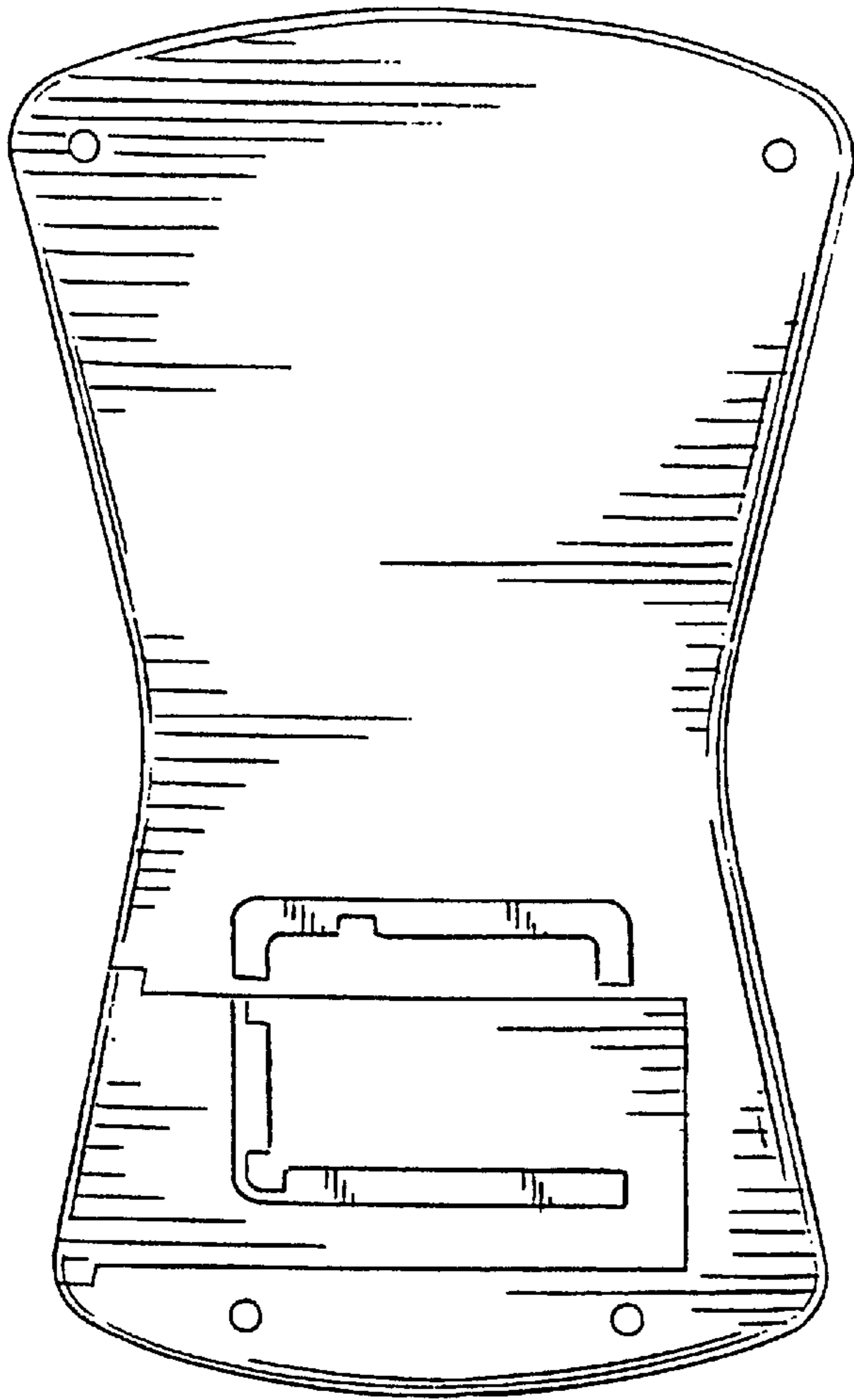


FIG. 3

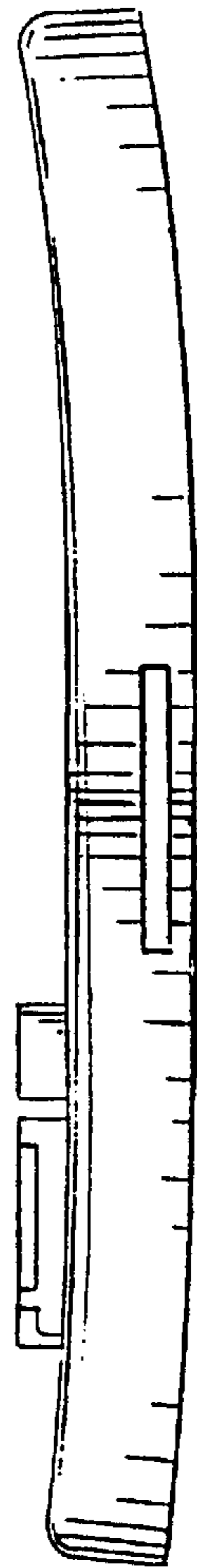


FIG. 4

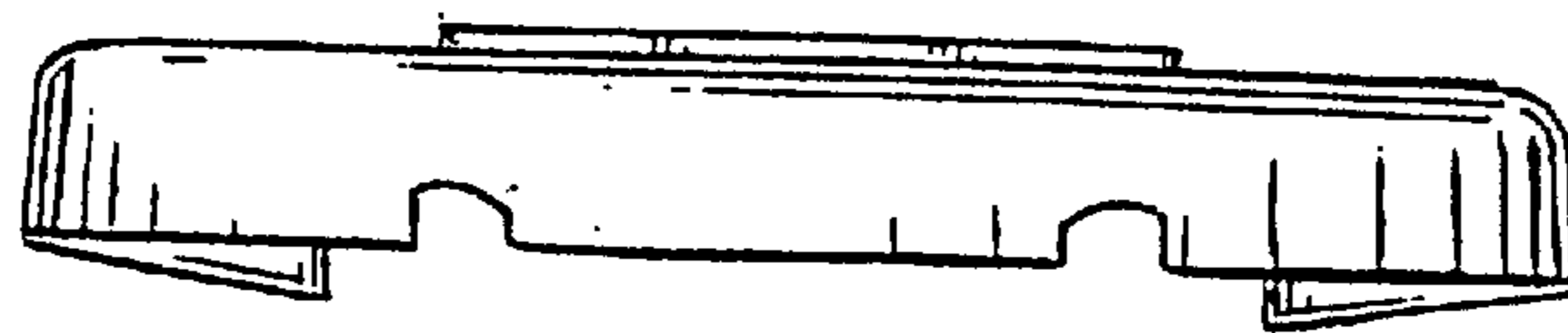


FIG. 7

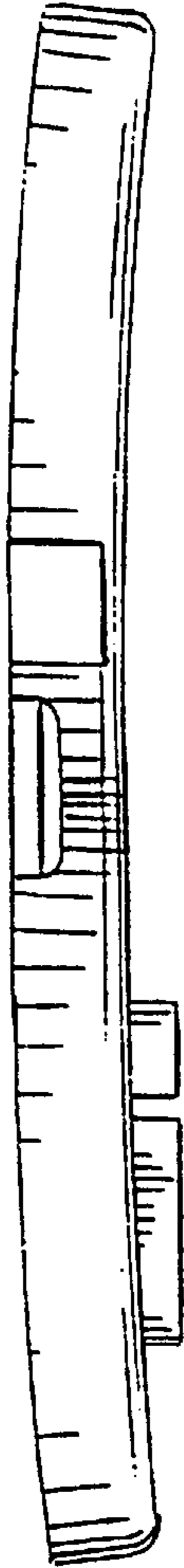


FIG. 5

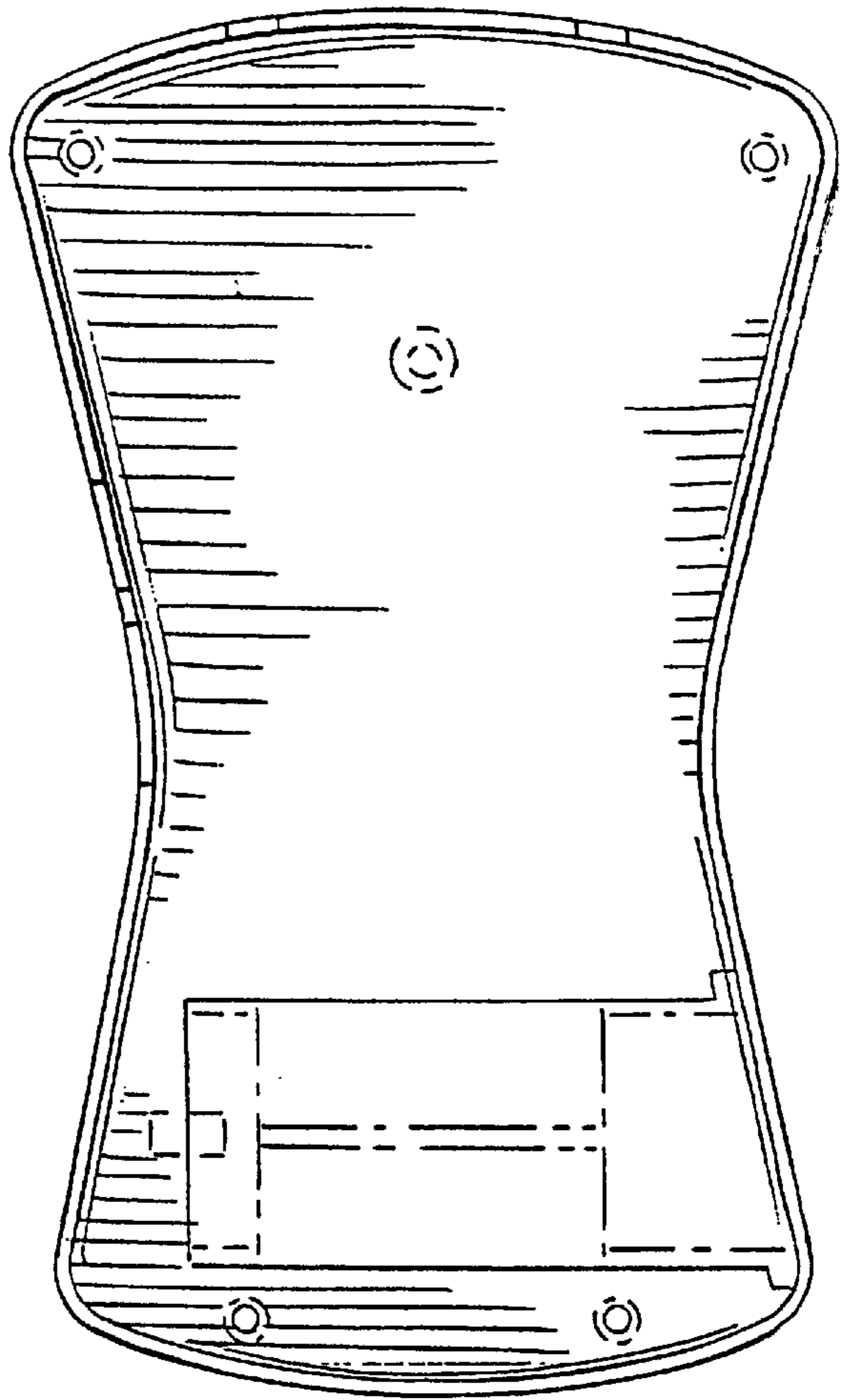


FIG. 6

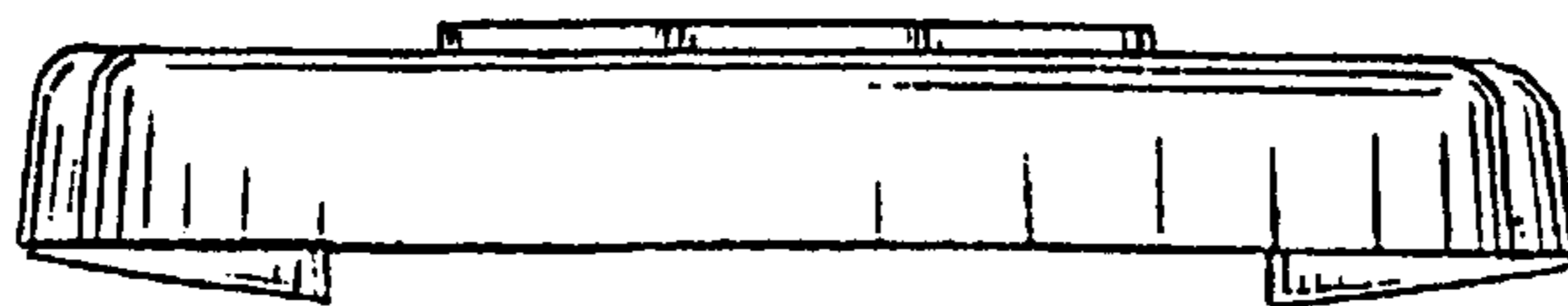


FIG. 8