



US00D466119S

(12) **United States Design Patent**
Funahashi et al.

(10) **Patent No.:** **US D466,119 S**

(45) **Date of Patent:** **** Nov. 26, 2002**

(54) **MACHINE FOR IDENTIFYING FINGERPRINT**

D421,967 S 3/2000 Oba et al. D13/182
D427,159 S 6/2000 Oba et al. D13/182
D432,505 S 10/2000 Oba et al. D13/182
6,178,255 B1 * 1/2001 Scott et al. 356/71

(75) Inventors: **Takeshi Funahashi**, Tokyo (JP);
Takuya Wada, Tokyo (JP); **Keiichi Shinozaki**, Tokyo (JP); **Yoshiyasu Kubota**, Tokyo (JP); **Yasushi Fujita**, Tokyo (JP); **Hitoshi Ito**, Tokyo (JP); **Yuji Himeno**, Fukuoka (JP)

* cited by examiner

Primary Examiner—Freda Nunn
(74) *Attorney, Agent, or Firm*—Rader, Fishman, Grauer PLLC

(73) Assignee: **Sony Corporation**, Tokyo (JP)

(57) **CLAIM**

(**) Term: **14 Years**

The ornamental design for a machine for identifying fingerprint, as shown and described.

(21) Appl. No.: **29/149,943**

DESCRIPTION

(22) Filed: **Oct. 24, 2001**

(51) **LOC (7) Cl.** **14-02**

(52) **U.S. Cl.** **D14/384**

(58) **Field of Search** D14/383, 384,
D14/356; 382/124–126, 232; 235/380, 382,
382.5, 492; 283/68–70, 74, 75, 78, 117;
250/556, 208.1; 356/71; 340/5.53

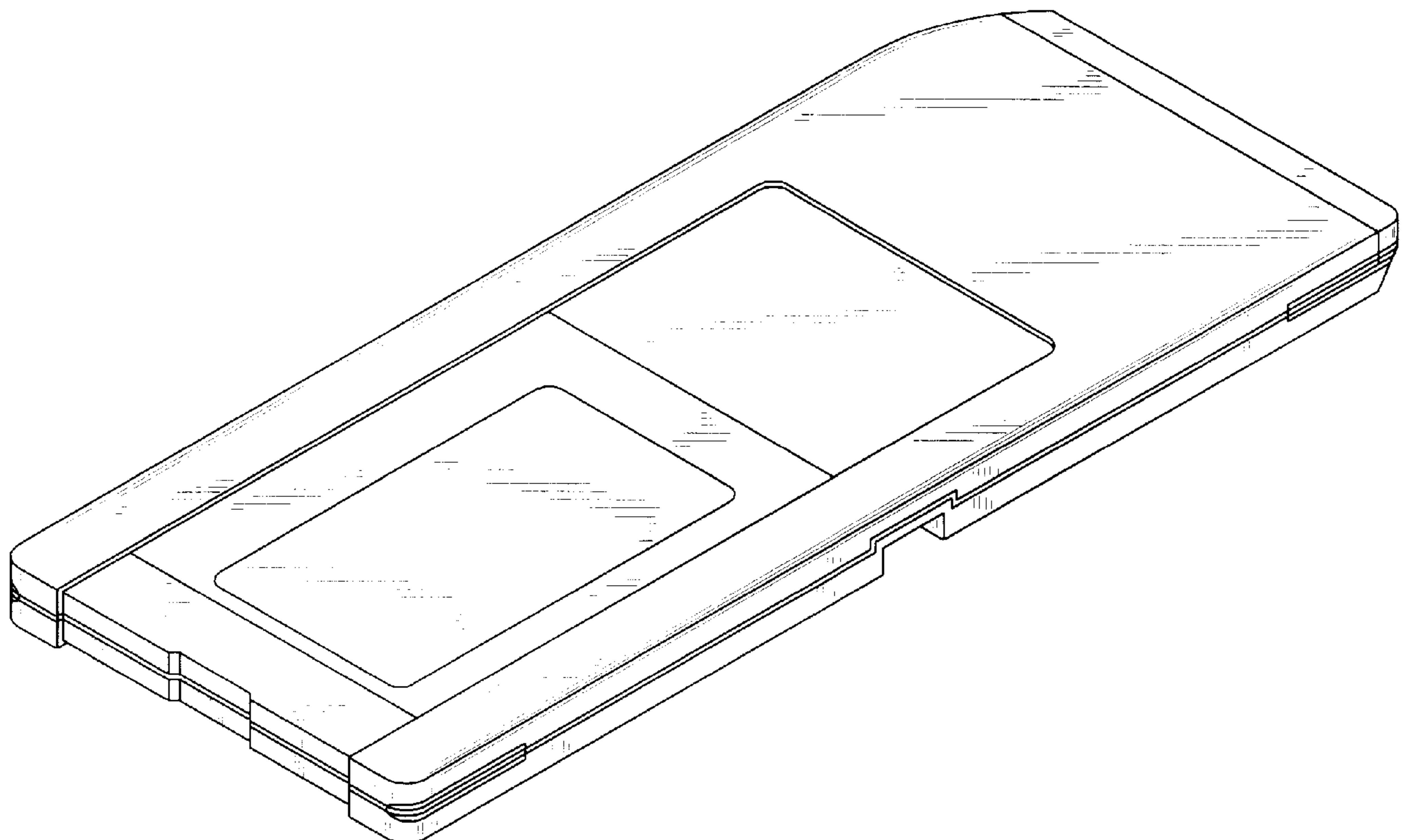
FIG. 1 is a perspective view of a machine for identifying fingerprint showing our new design;
FIG. 2 is a front elevational view thereof;
FIG. 3 is a rear elevational view thereof;
FIG. 4 is a left side elevational view thereof;
FIG. 5 is a right side elevational view thereof;
FIG. 6 is a top plan view thereof; and
FIG. 7 is a bottom plan view thereof.
FIG. 8 is second embodiment perspective view of a machine for identifying fingerprint showing our new design;
FIG. 9 is a front elevational view thereof;
FIG. 10 is a rear elevational view thereof;
FIG. 11 is a left side elevational view thereof;
FIG. 12 is a right side elevational view thereof;
FIG. 13 is a top plan view thereof; and,
FIG. 14 is a bottom plan view thereof.

(56) **References Cited**

U.S. PATENT DOCUMENTS

5,193,855 A * 3/1993 Shamos 283/117
5,335,288 A * 8/1994 Faulkner 382/115
D354,745 S * 1/1995 Lynn D14/384
5,815,252 A * 9/1998 Price-Francis 235/492
5,920,642 A * 7/1999 Merjanian 340/5.53
5,987,155 A * 11/1999 Dunn et al. 235/382
D421,597 S 3/2000 Oba et al. D13/182

1 Claim, 8 Drawing Sheets



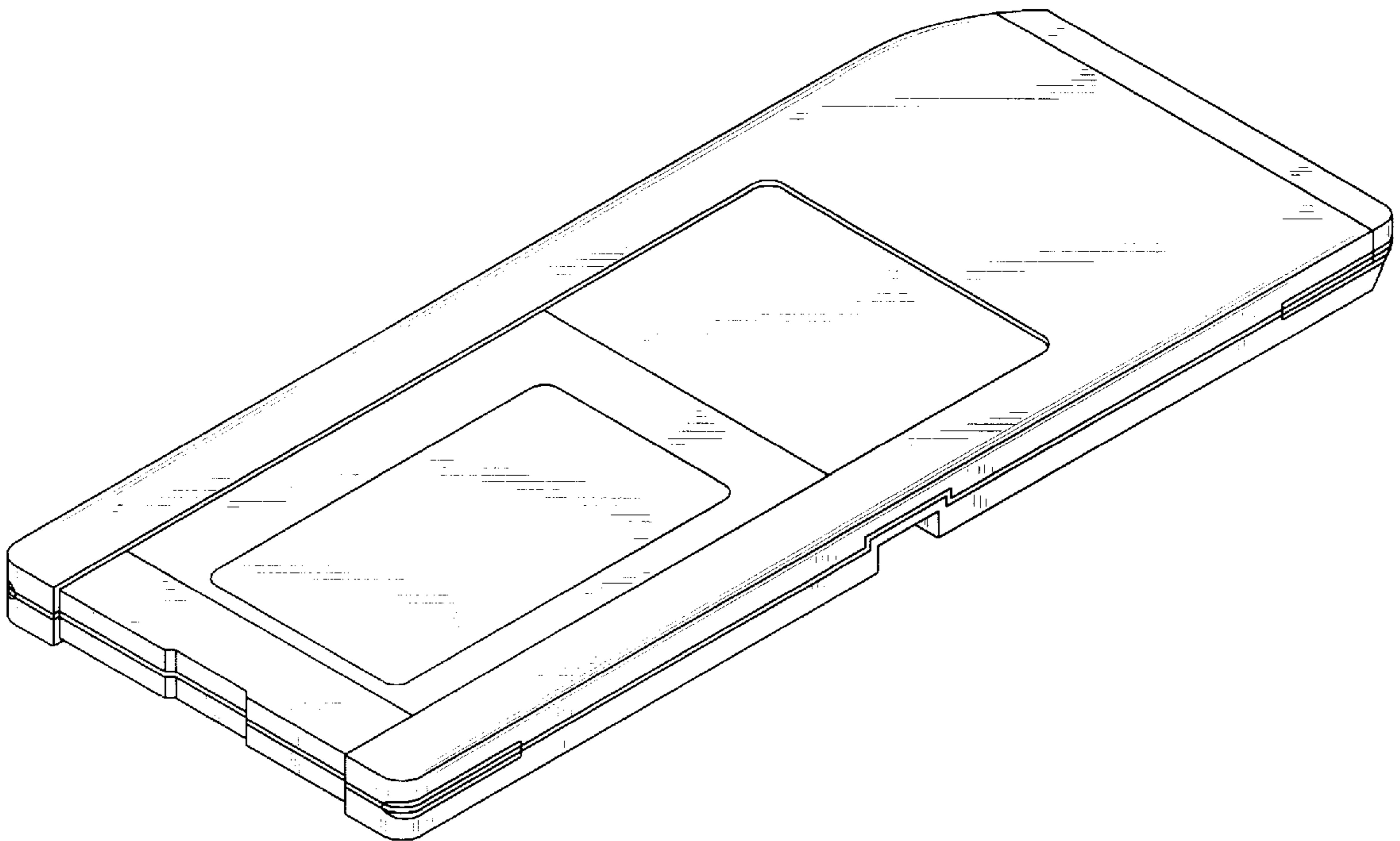


Fig. 1

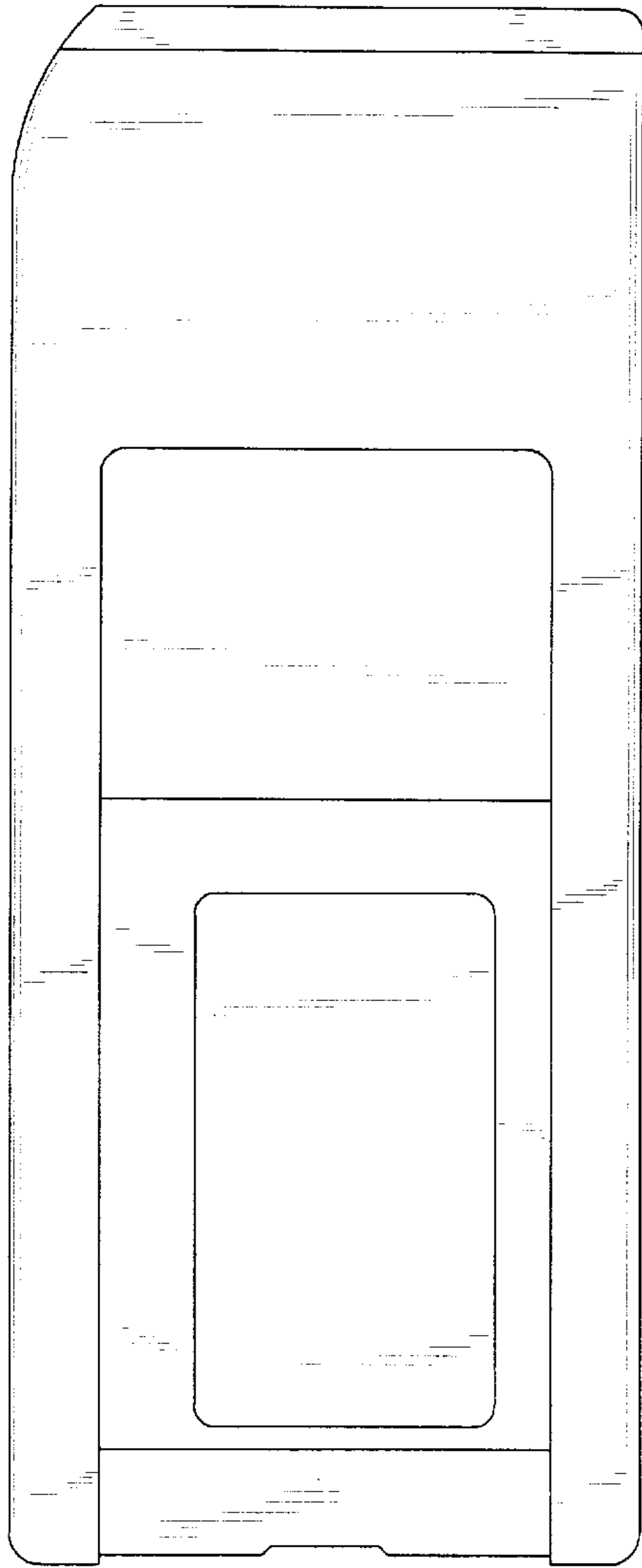


Fig. 2

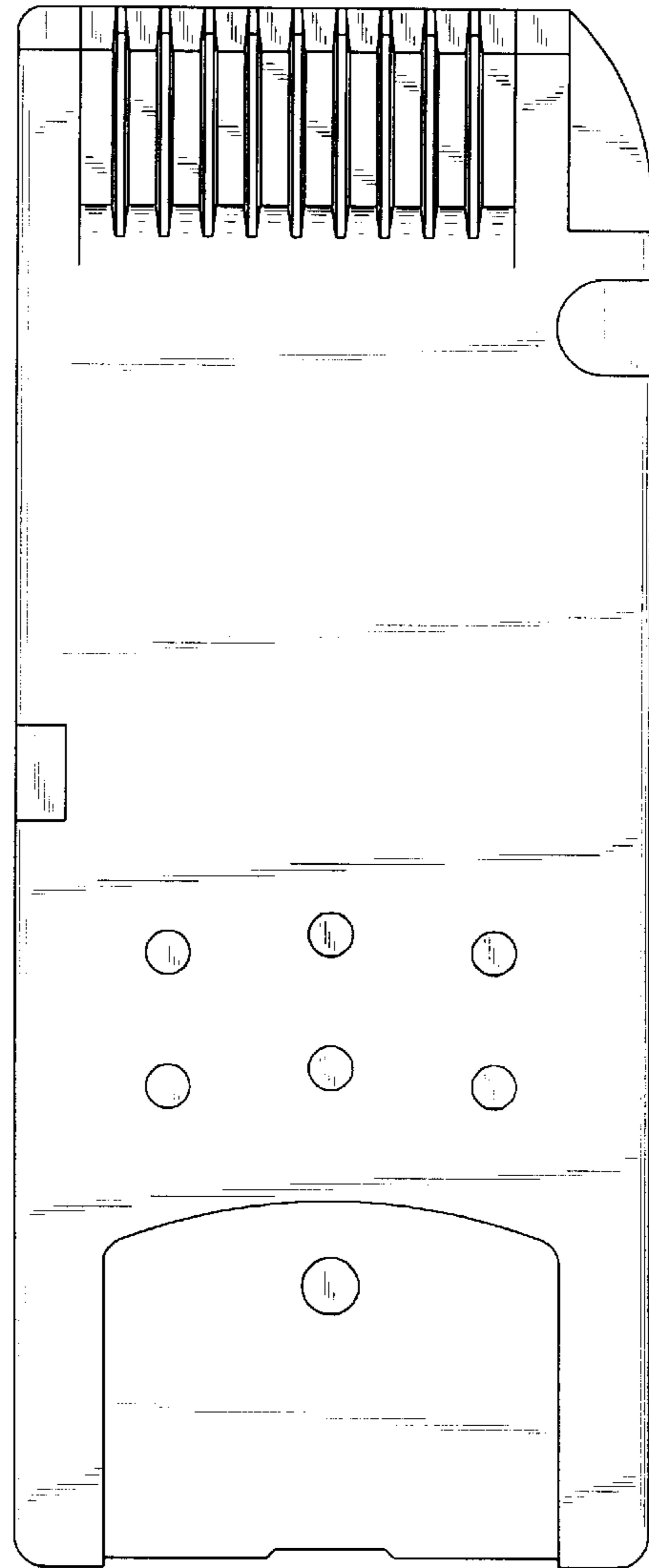


Fig. 3

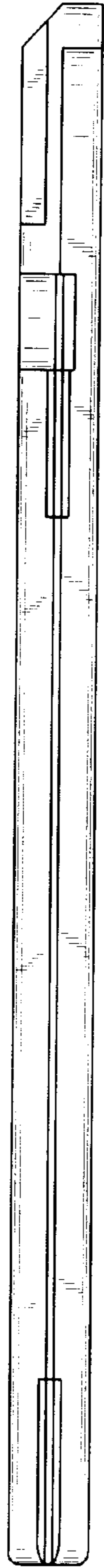


Fig. 4

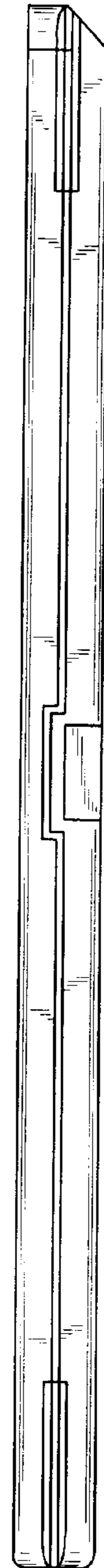


Fig. 5



Fig. 6

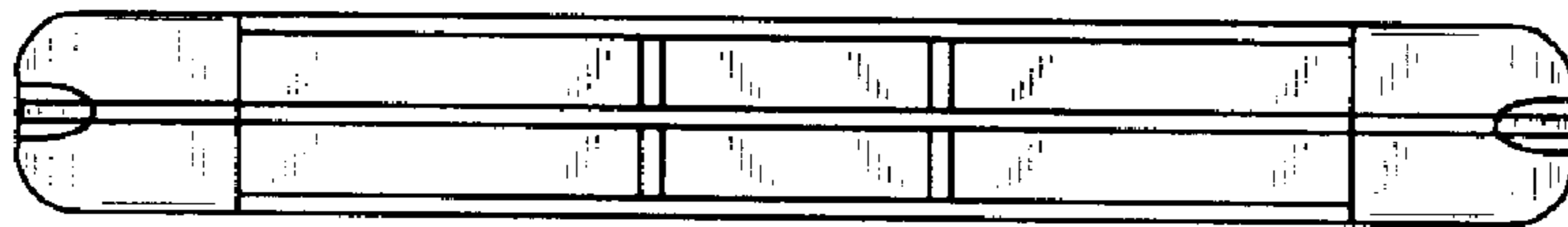


Fig. 7

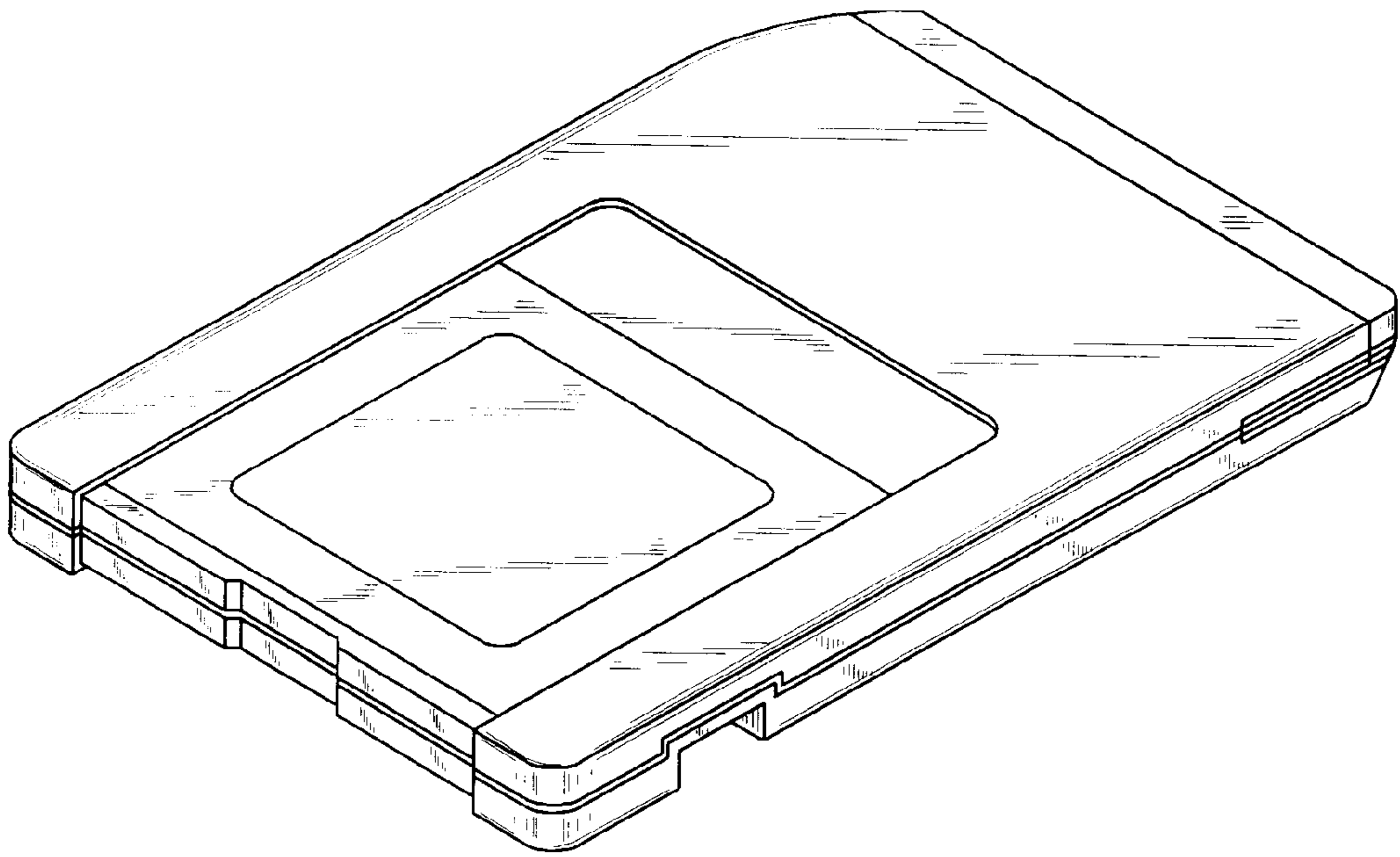


Fig. 8

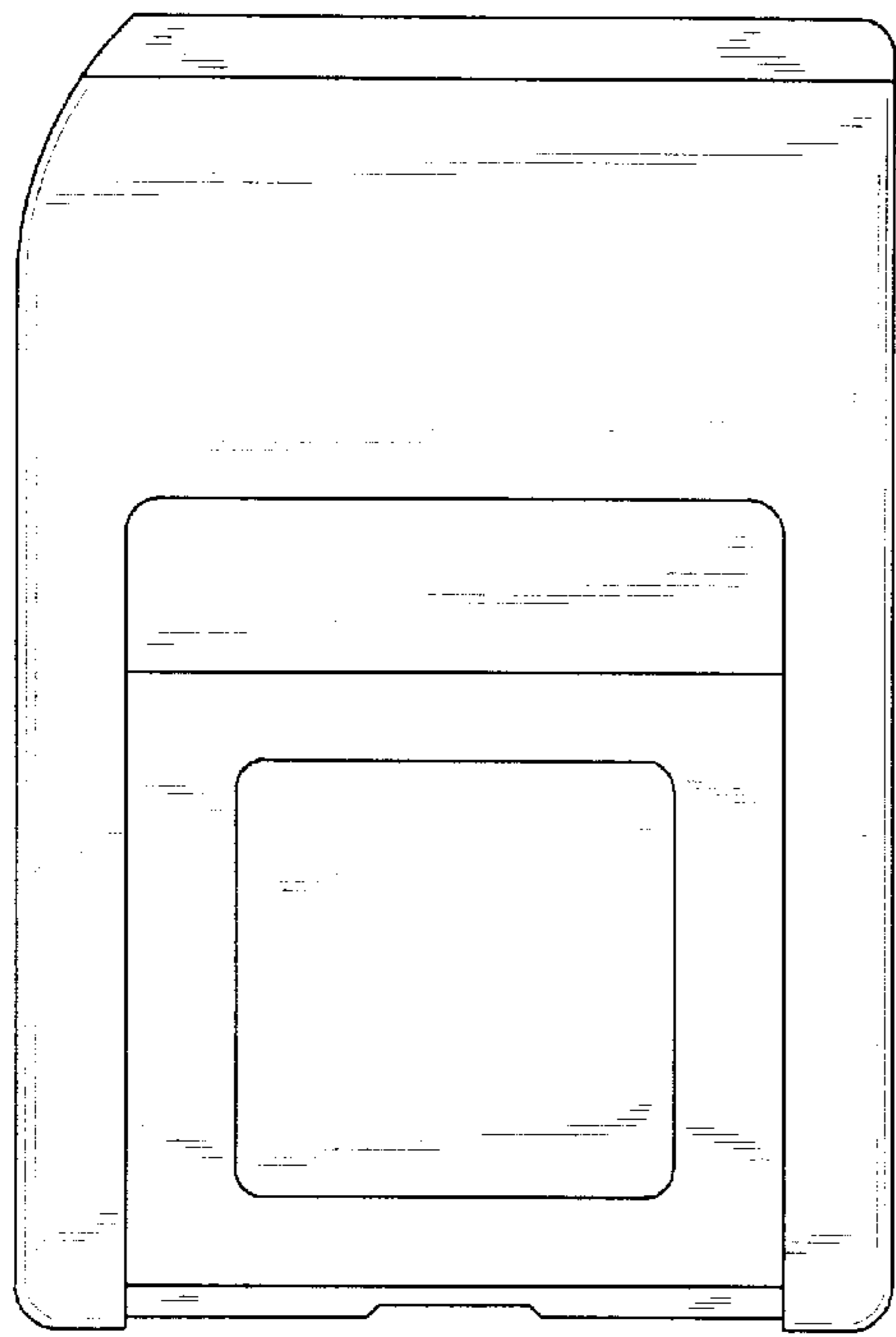


Fig. 9

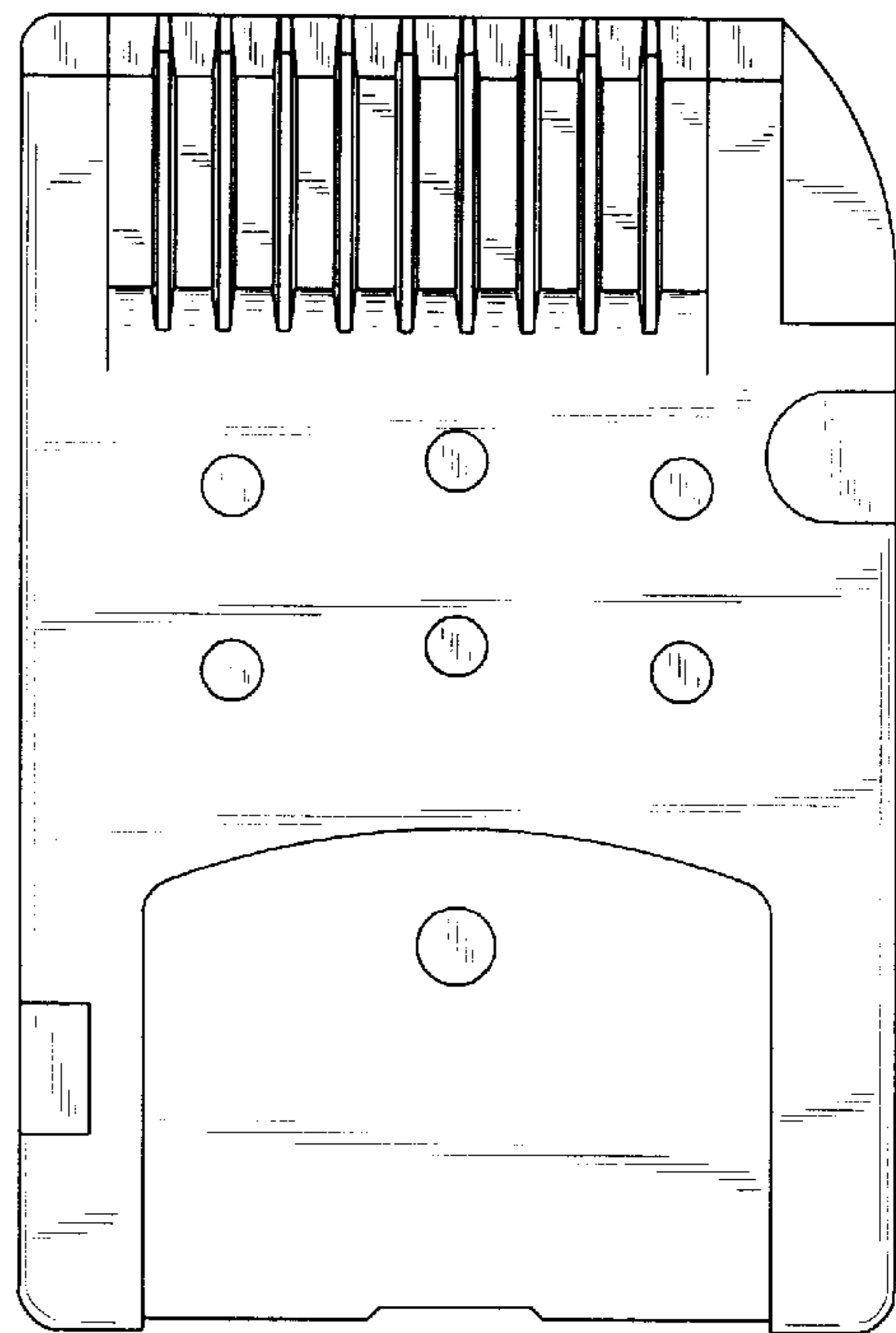


Fig. 10

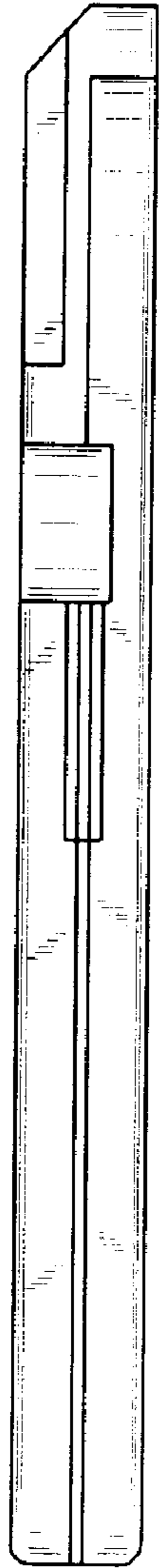


Fig. 11

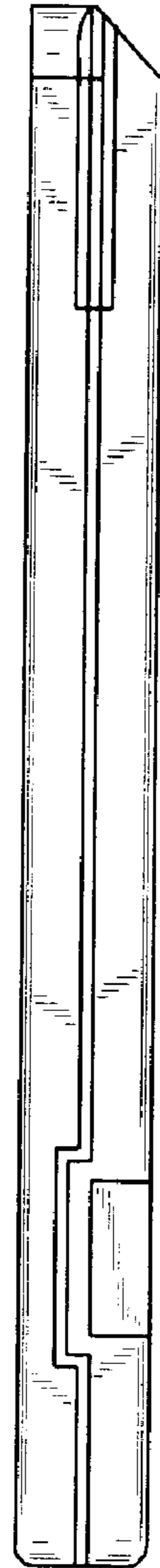


Fig. 12



Fig. 13

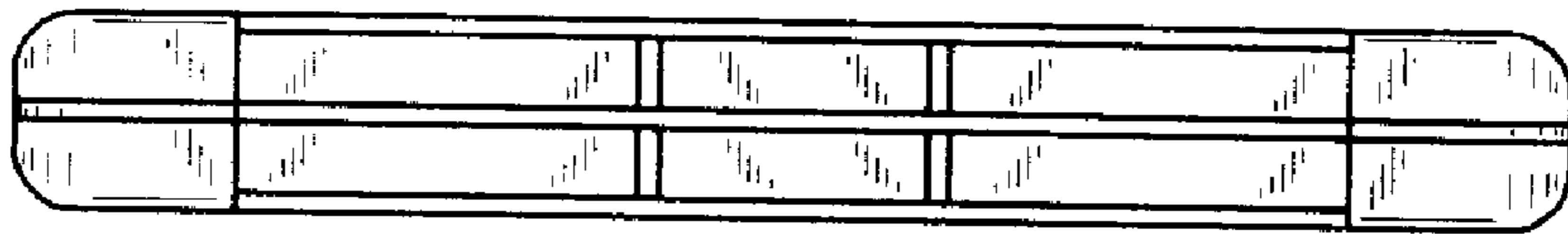


Fig. 14