



US00D466115S

(12) **United States Design Patent**
Hawkins et al.

(10) **Patent No.:** **US D466,115 S**
(45) **Date of Patent:** **** Nov. 26, 2002**

(54) **PERSONAL DIGITAL ASSISTANT**

(75) Inventors: **Jeffrey C. Hawkins**, Redwood City, CA (US); **Peter Skillman**, San Carlos, CA (US); **Martin Bone**, San Francisco, CA (US)

(73) Assignee: **Handspring, Inc.**, Mountain View, CA (US)

(**) Term: **14 Years**

(21) Appl. No.: **29/139,871**

(22) Filed: **Apr. 5, 2001**

(51) **LOC (7) Cl.** **14-02**

(52) **U.S. Cl.** **D14/345; D14/341; D14/342**

(58) **Field of Search** **D14/341-346; D18/1, 2, 7; 341/22, 23; 235/145 A, 145 R; 345/156, 168, 169, 172, 173, 87; 349/12; 361/680-686**

(56) **References Cited**

U.S. PATENT DOCUMENTS

D318,858 S	*	8/1991	Daly et al.	D14/345
D397,679 S		9/1998	Hawkins et al.	D14/342
D408,021 S	*	4/1999	Haitani et al.	D14/345
D410,486 S	*	6/1999	Takahata et al.	D14/345
D416,256 S		11/1999	Griffin et al.	D14/191
D423,468 S	*	4/2000	Jenkins	D14/342
D430,566 S	*	9/2000	Chu et al.	D14/345
D432,099 S	*	10/2000	Loh et al.	D14/345
D432,535 S	*	10/2000	Loh et al.	D14/345
D433,002 S		10/2000	Kolinen	D14/138
D434,034 S	*	11/2000	Burke et al.	D14/341
D434,410 S		11/2000	Frye et al.	D14/248
D434,898 S		12/2000	Jokinen et al.	D3/218

* cited by examiner

Primary Examiner—Freda Nunn

(74) *Attorney, Agent, or Firm*—Fenwick & West LLP

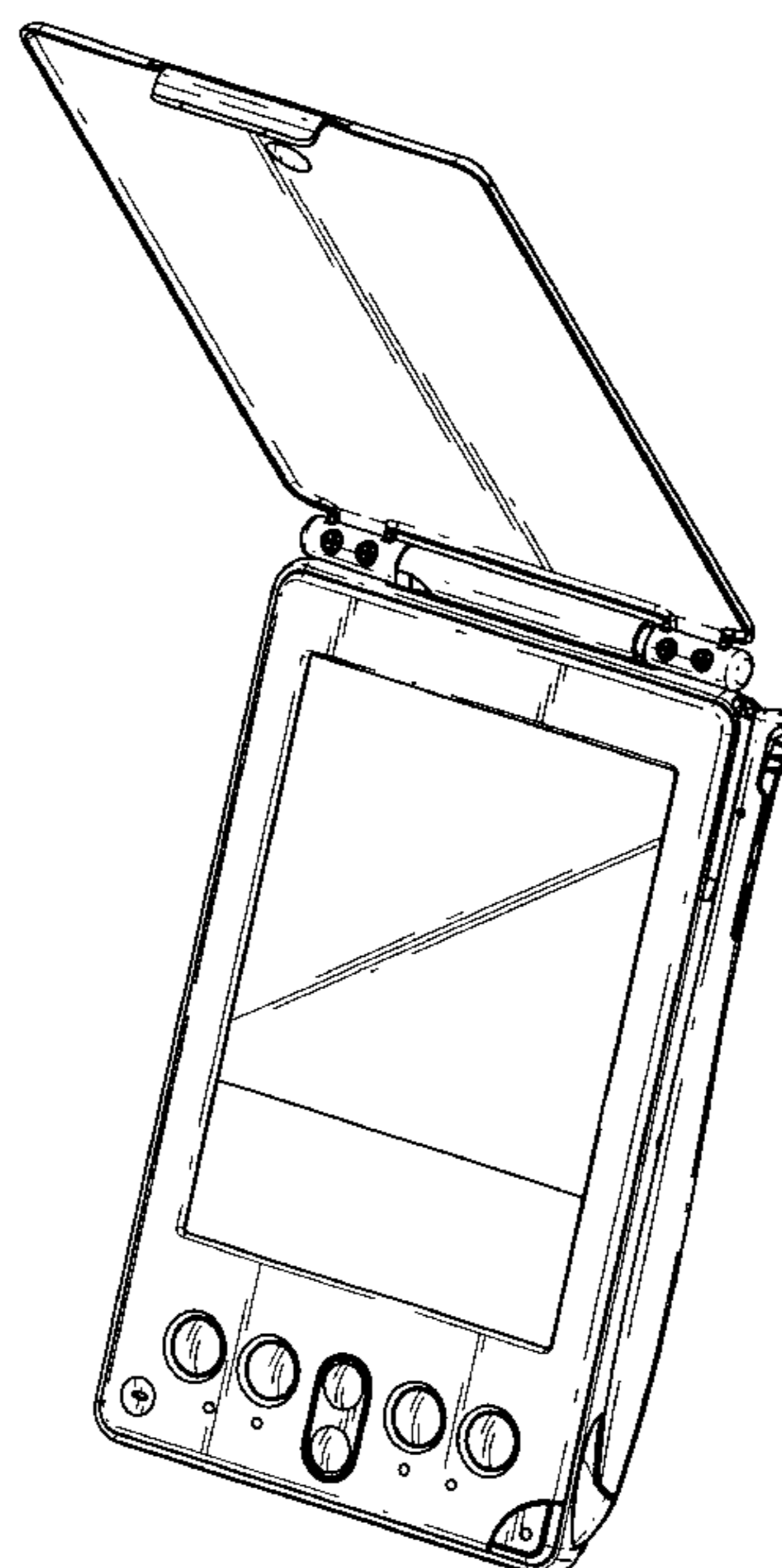
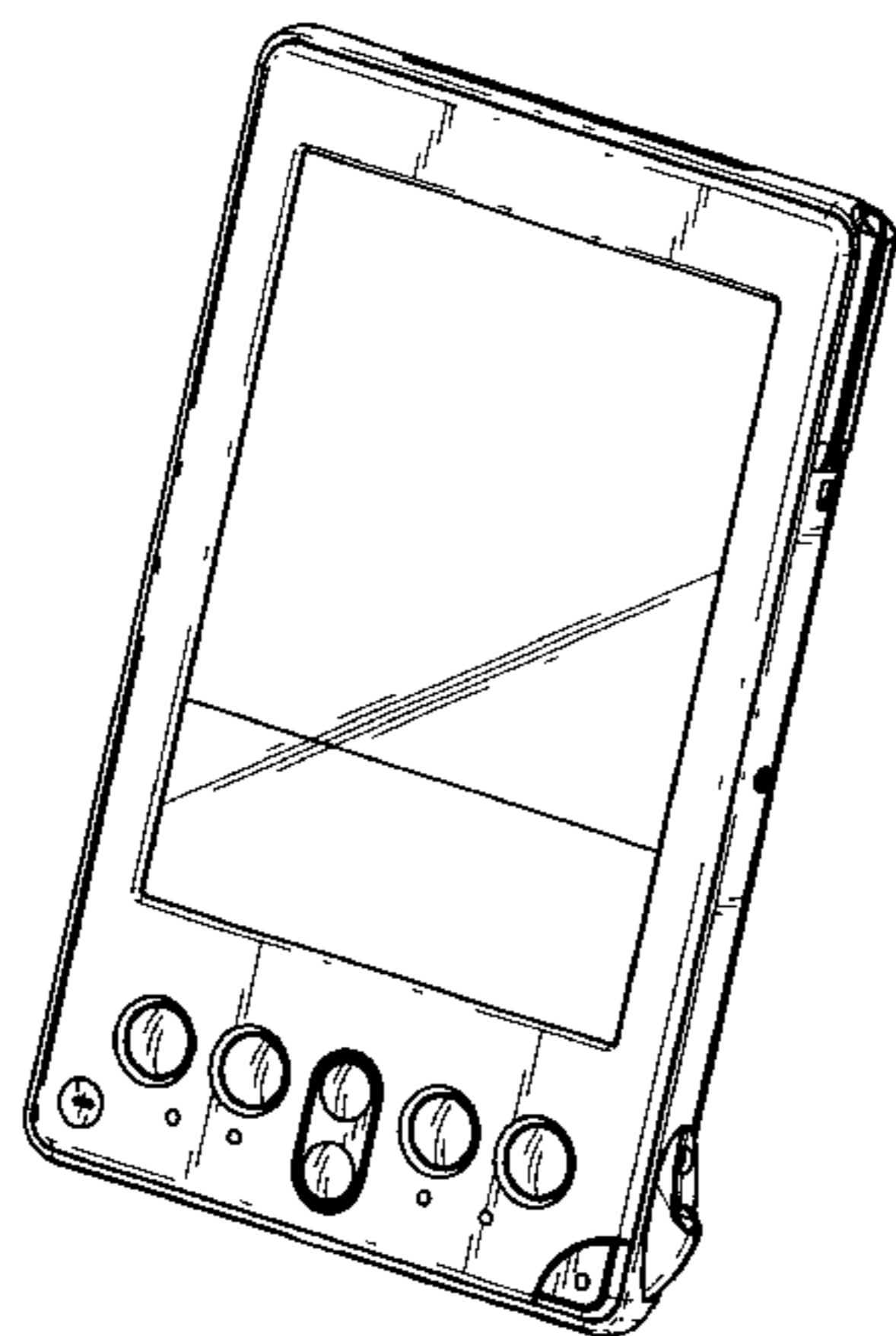
(57) **CLAIM**

The ornamental design for personal digital assistant, as shown and described.

DESCRIPTION

FIG. 1 is a front perspective view of a personal digital assistant according to the present invention;
 FIG. 2 is a front view thereof;
 FIG. 3 is a right elevational view thereof;
 FIG. 4 is a rear view thereof;
 FIG. 5 is a front perspective view of an alternative embodiment of a personal digital assistant according to the present invention, including a stylus;
 FIG. 6 is a front view thereof;
 FIG. 7 is a right elevational view thereof;
 FIG. 8 is a rear view thereof;
 FIG. 9 is a front perspective view of an alternative embodiment of a personal digital assistant according to the present invention, including a flip door;
 FIG. 10 is a front view thereof;
 FIG. 11 is a right elevational view thereof;
 FIG. 12 is a rear view thereof;
 FIG. 13 is a front perspective view of a personal digital assistant according to the present invention, connected to a cradle;
 FIG. 14 is a front view thereof;
 FIG. 15 is a right elevational view thereof; and,
 FIG. 16 is a rear view thereof.
 The broken line showing of a cradle is for illustrative purposes only and forms no part of the claimed design.

1 Claim, 10 Drawing Sheets



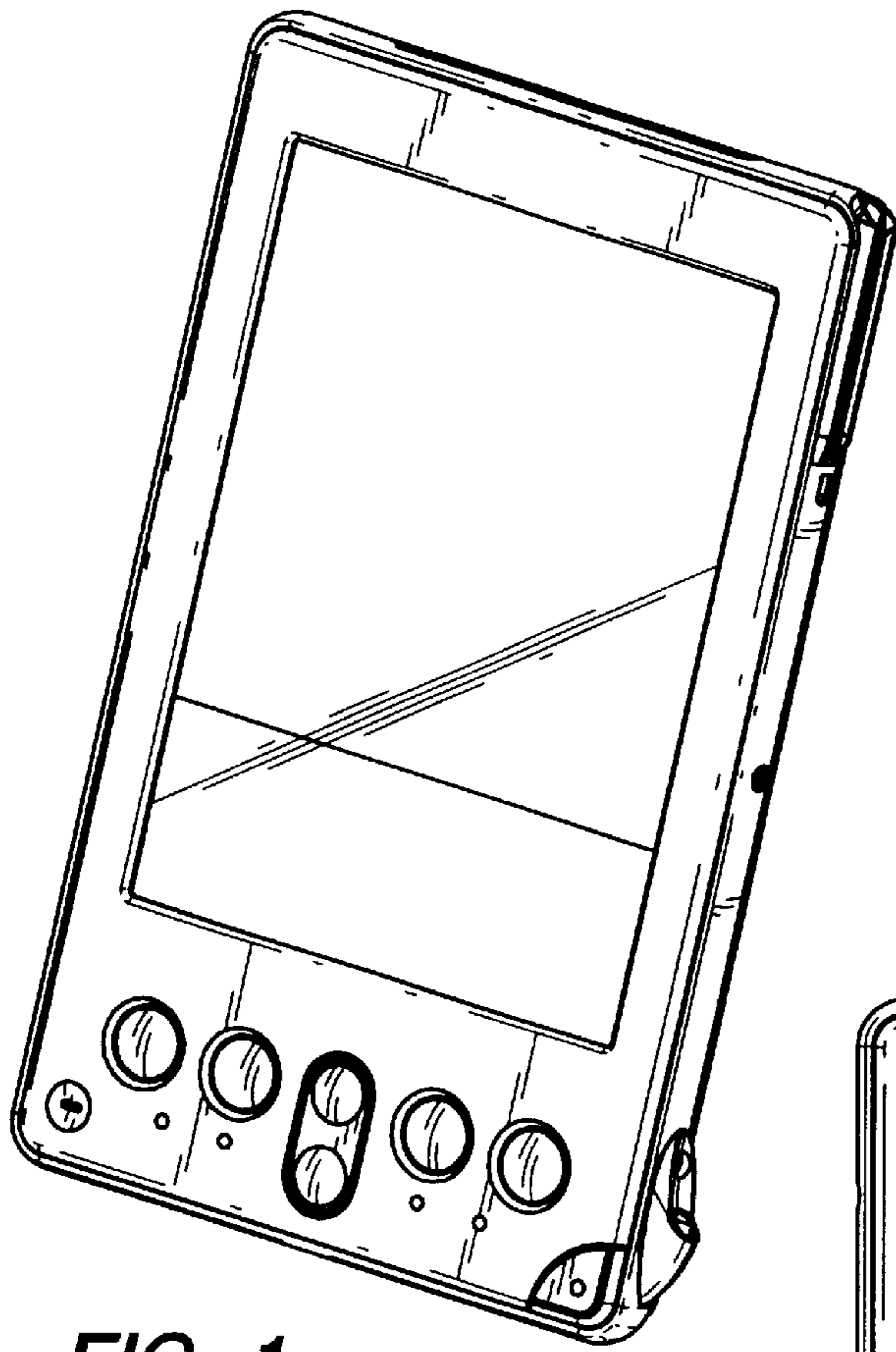


FIG. 1

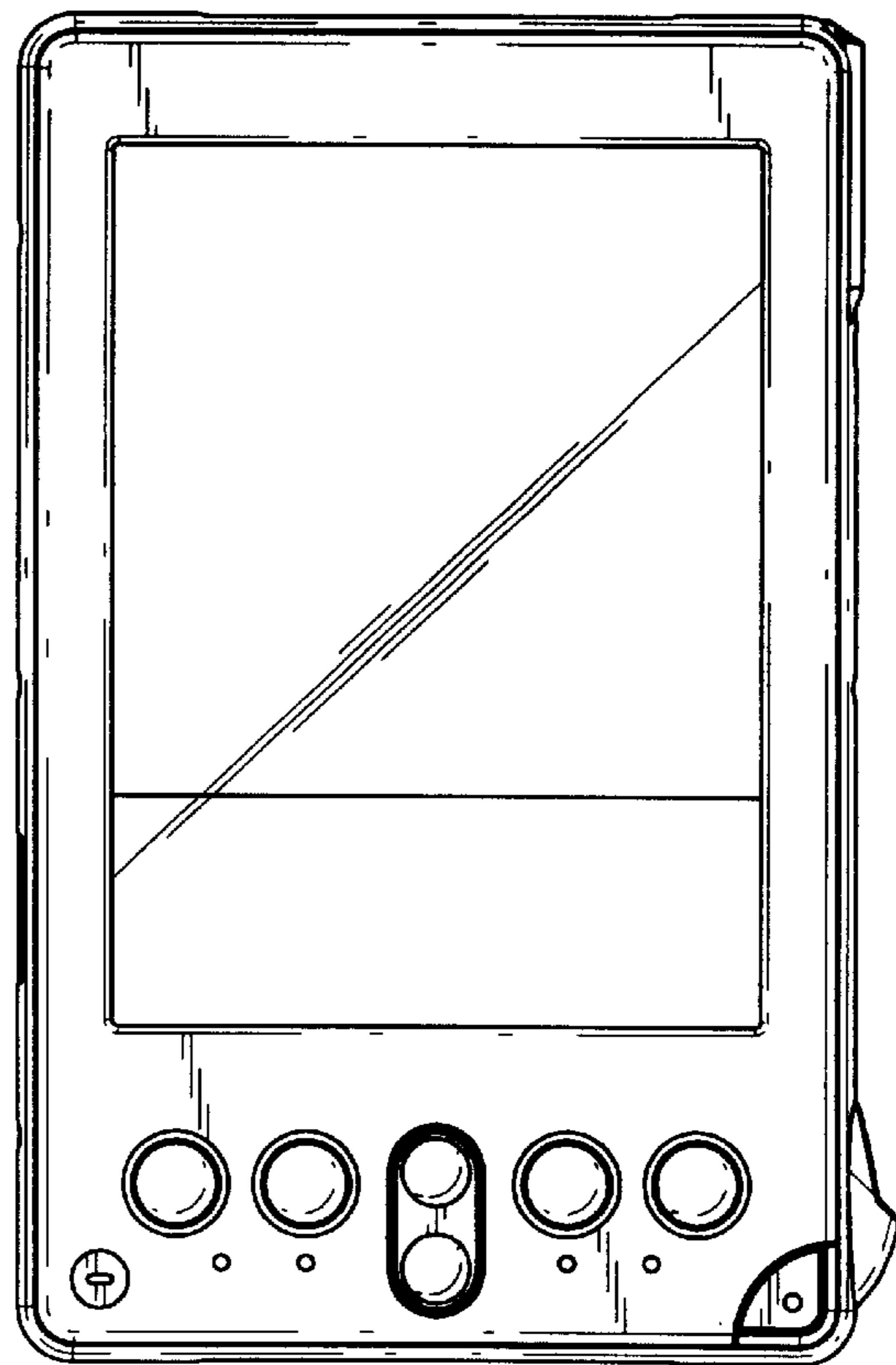


FIG. 2

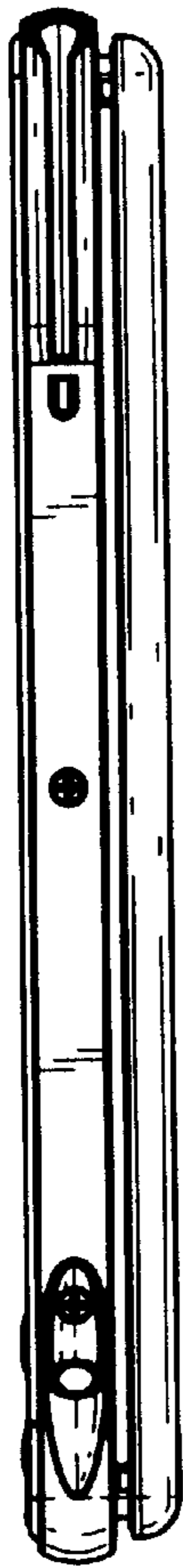


FIG. 3

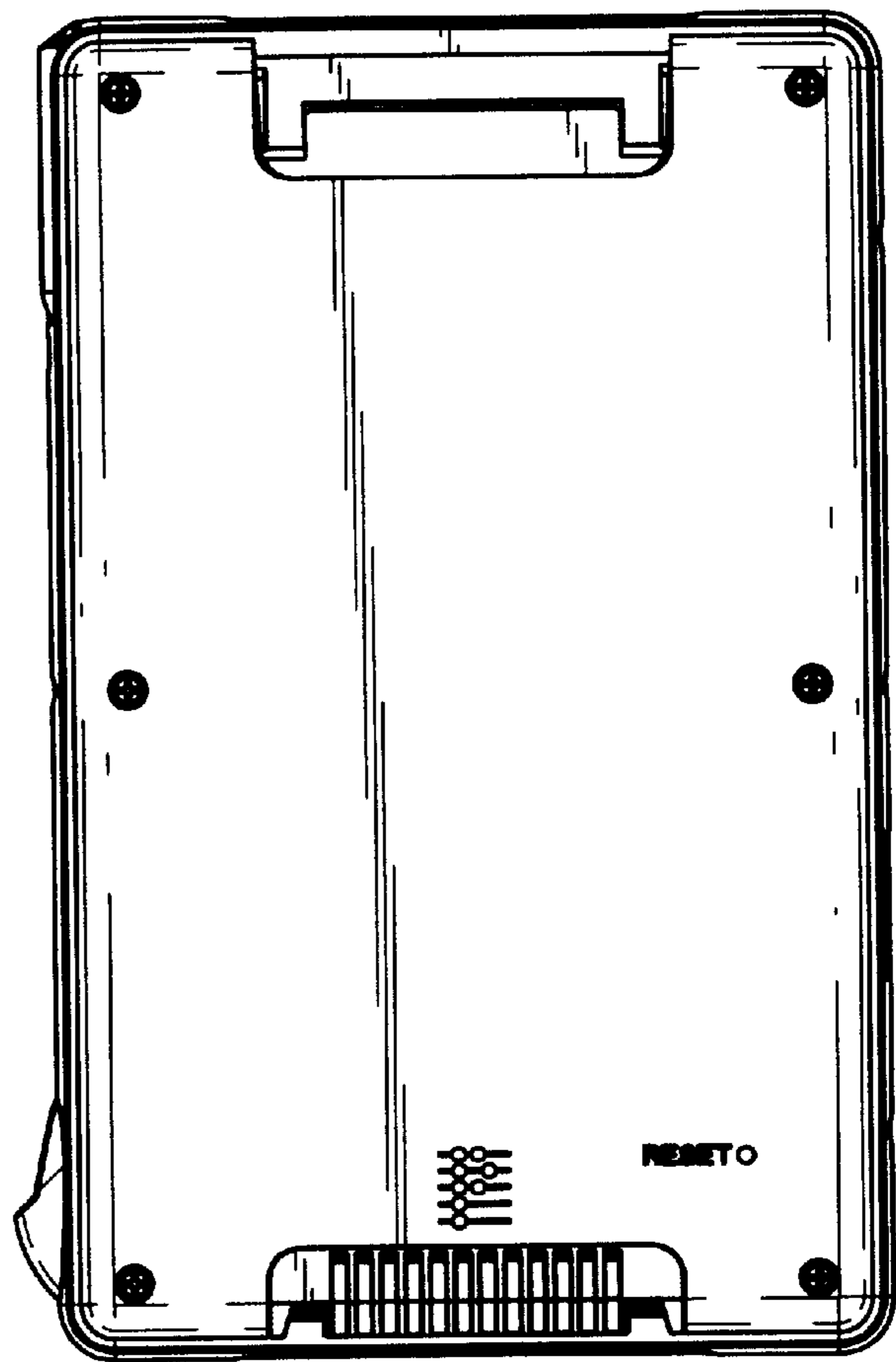


FIG. 4

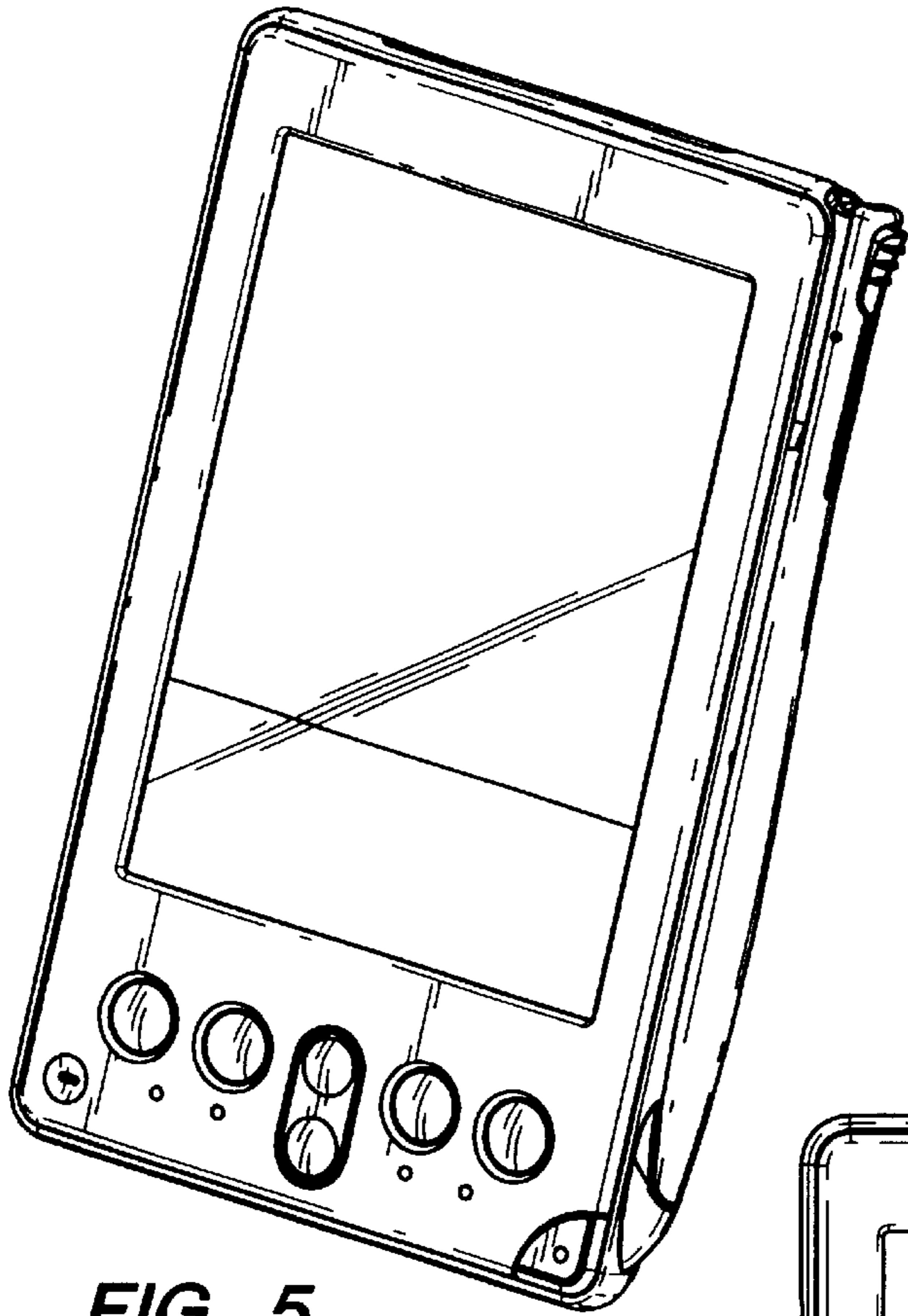


FIG. 5

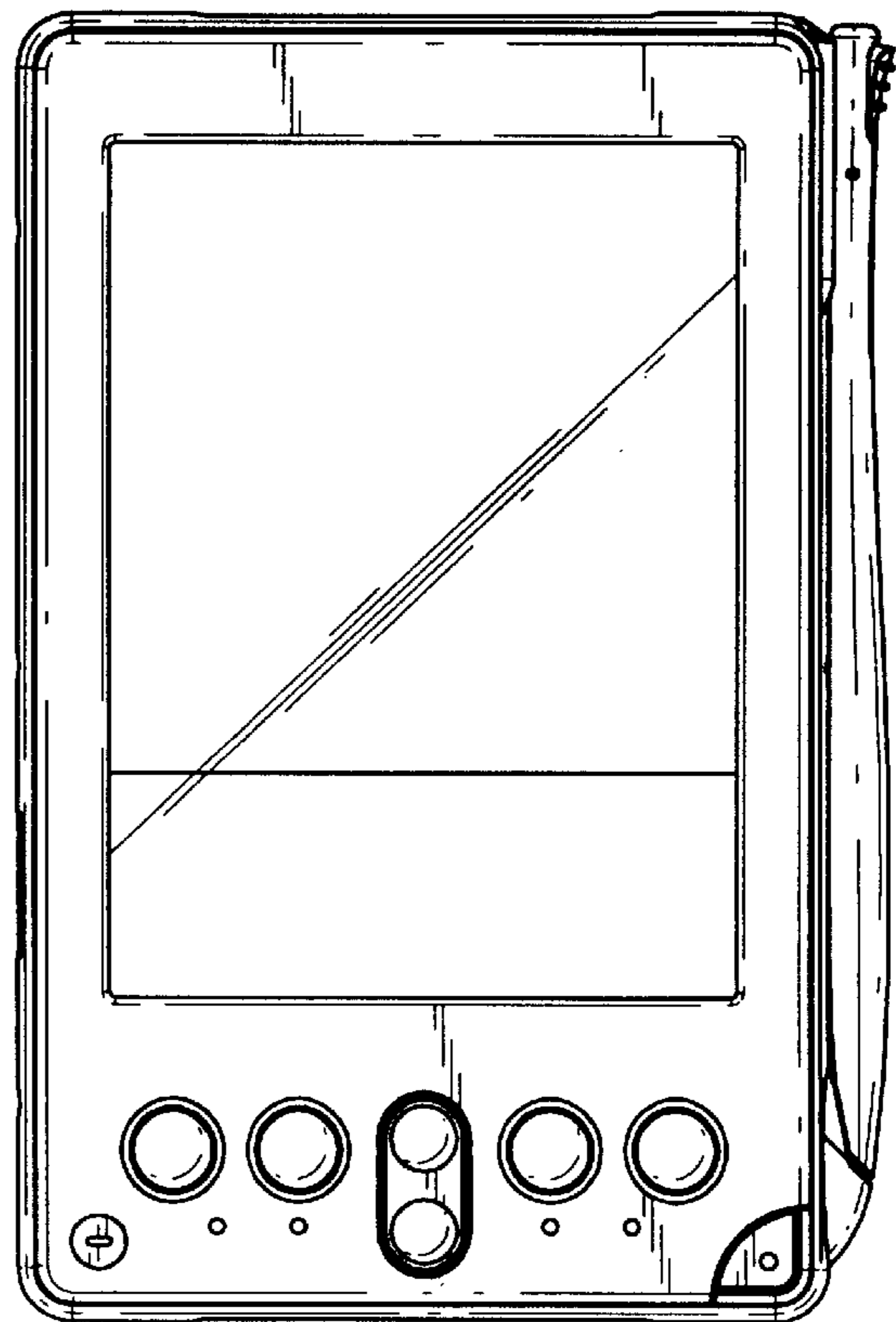


FIG. 6

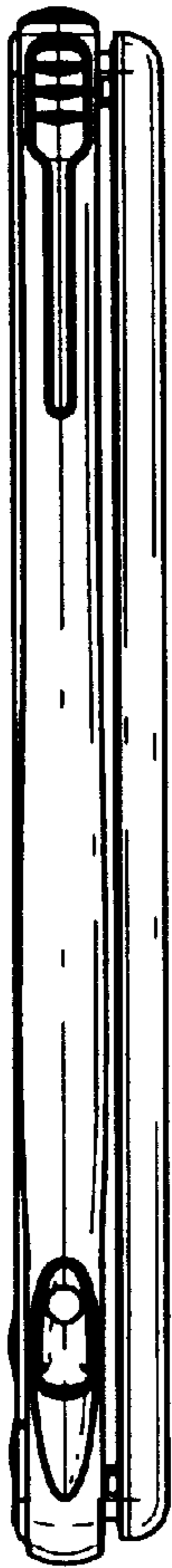


FIG. 7

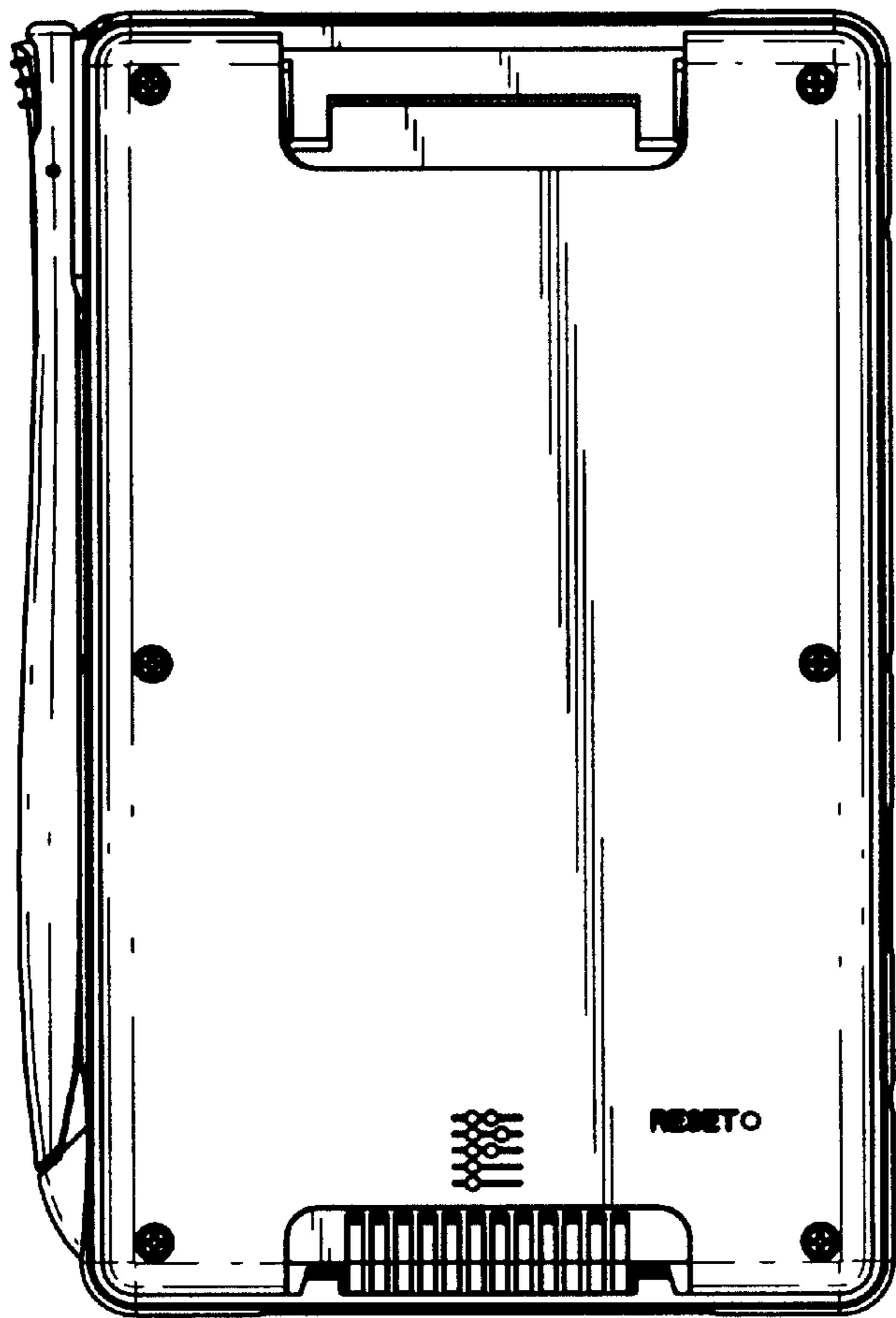


FIG. 8

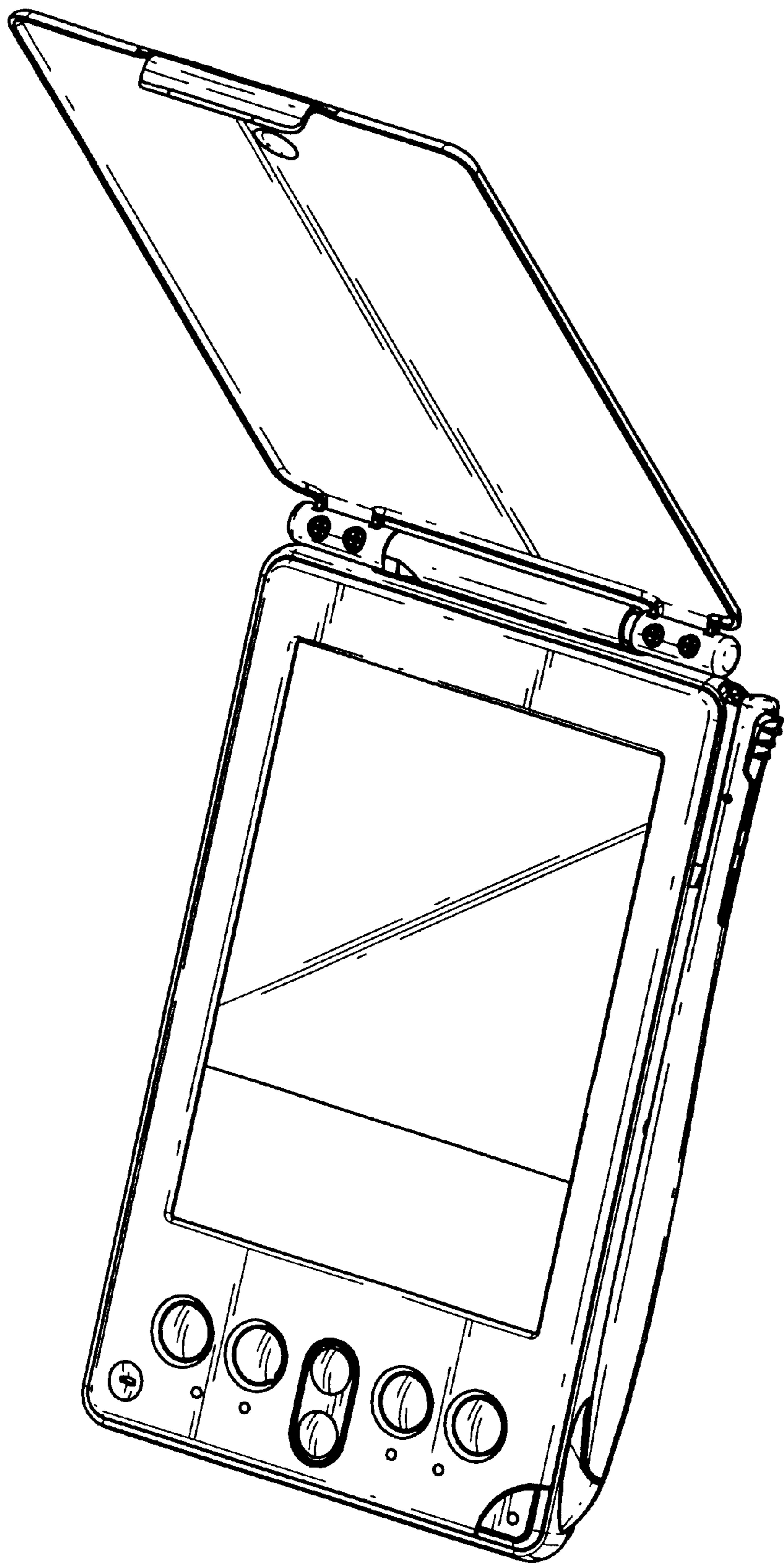


FIG. 9

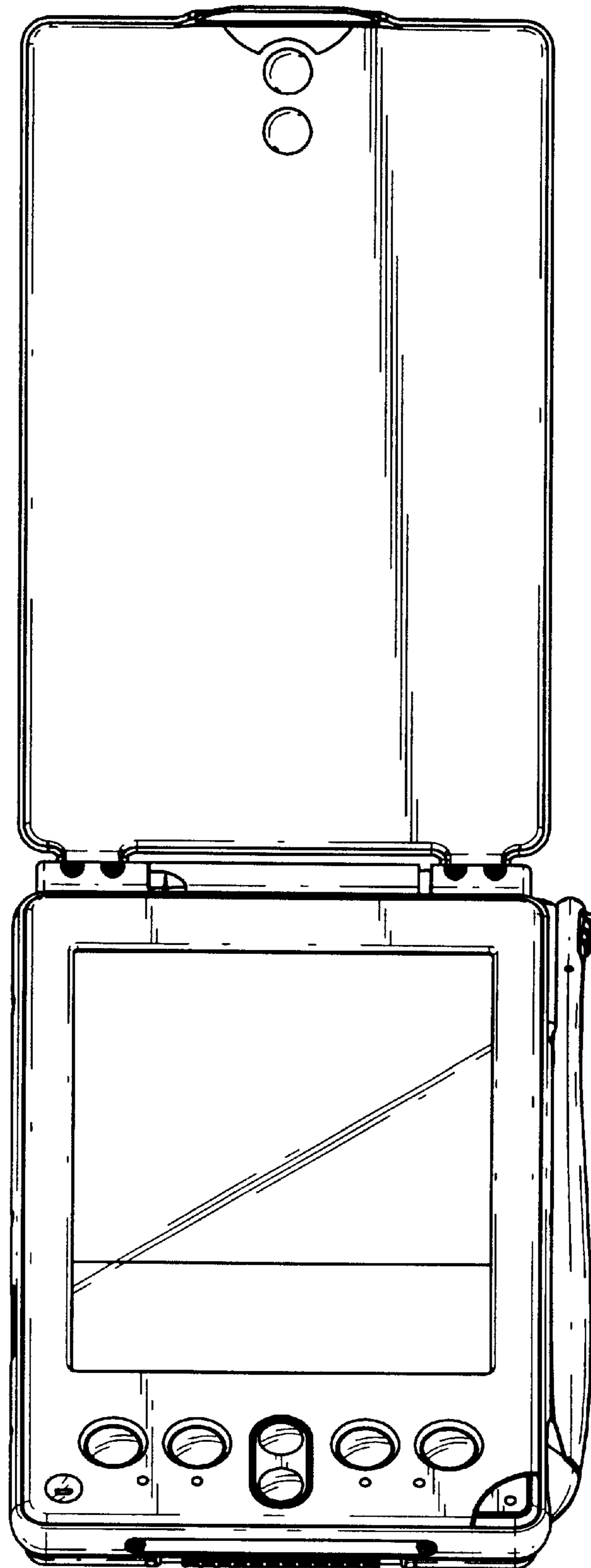


FIG. 10

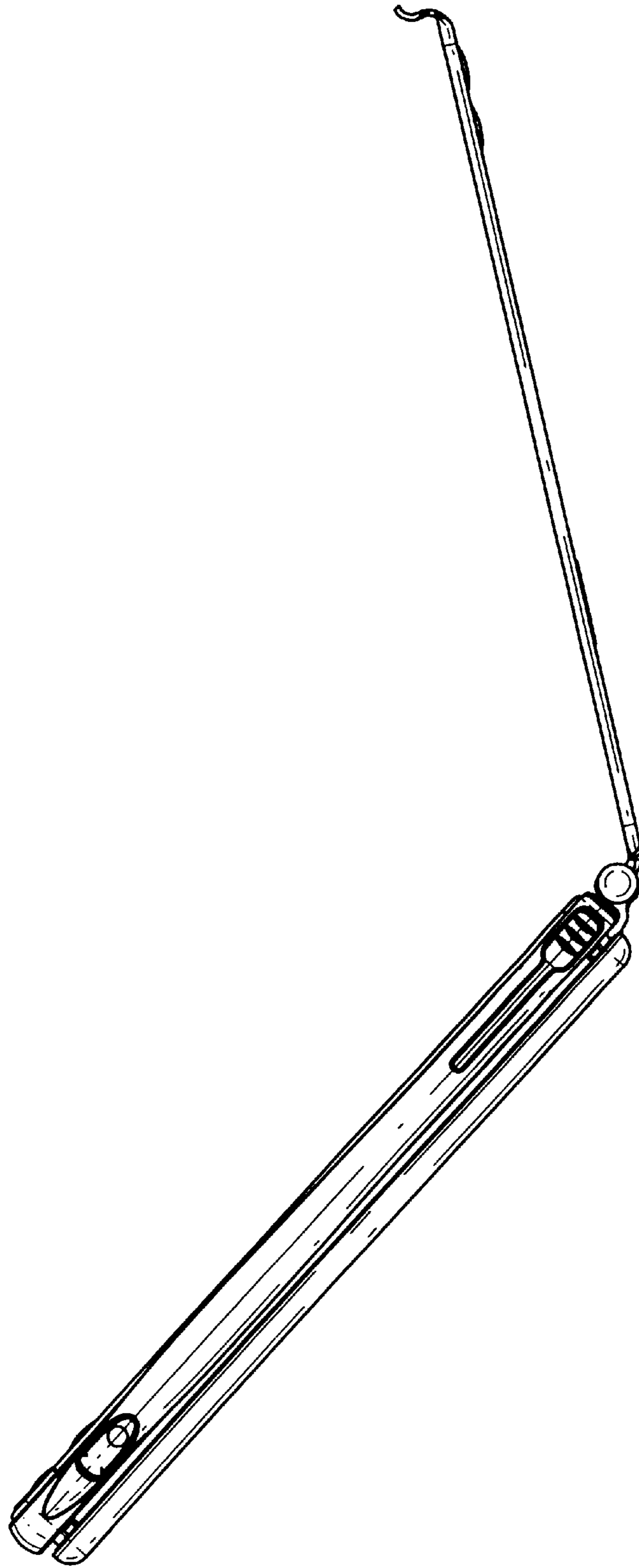


FIG. 11

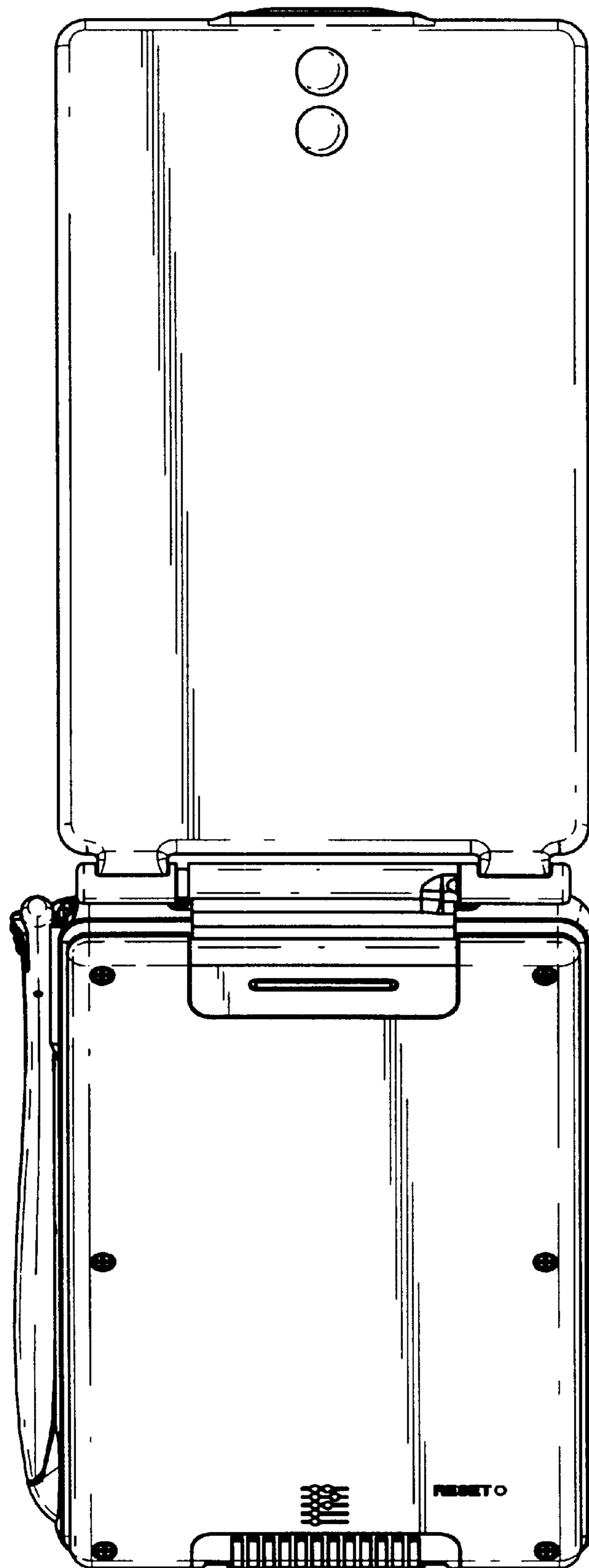


FIG. 12

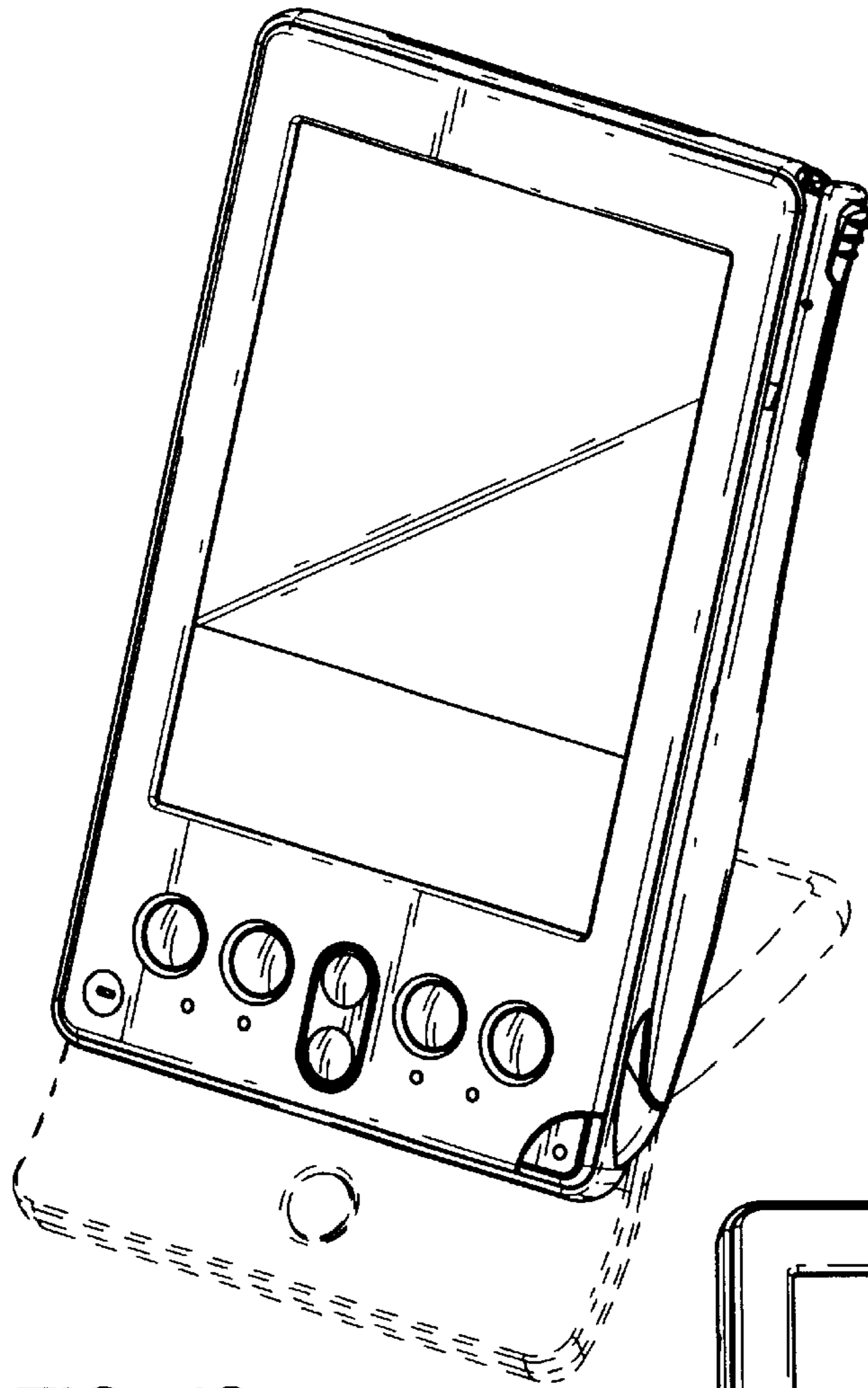


FIG. 13

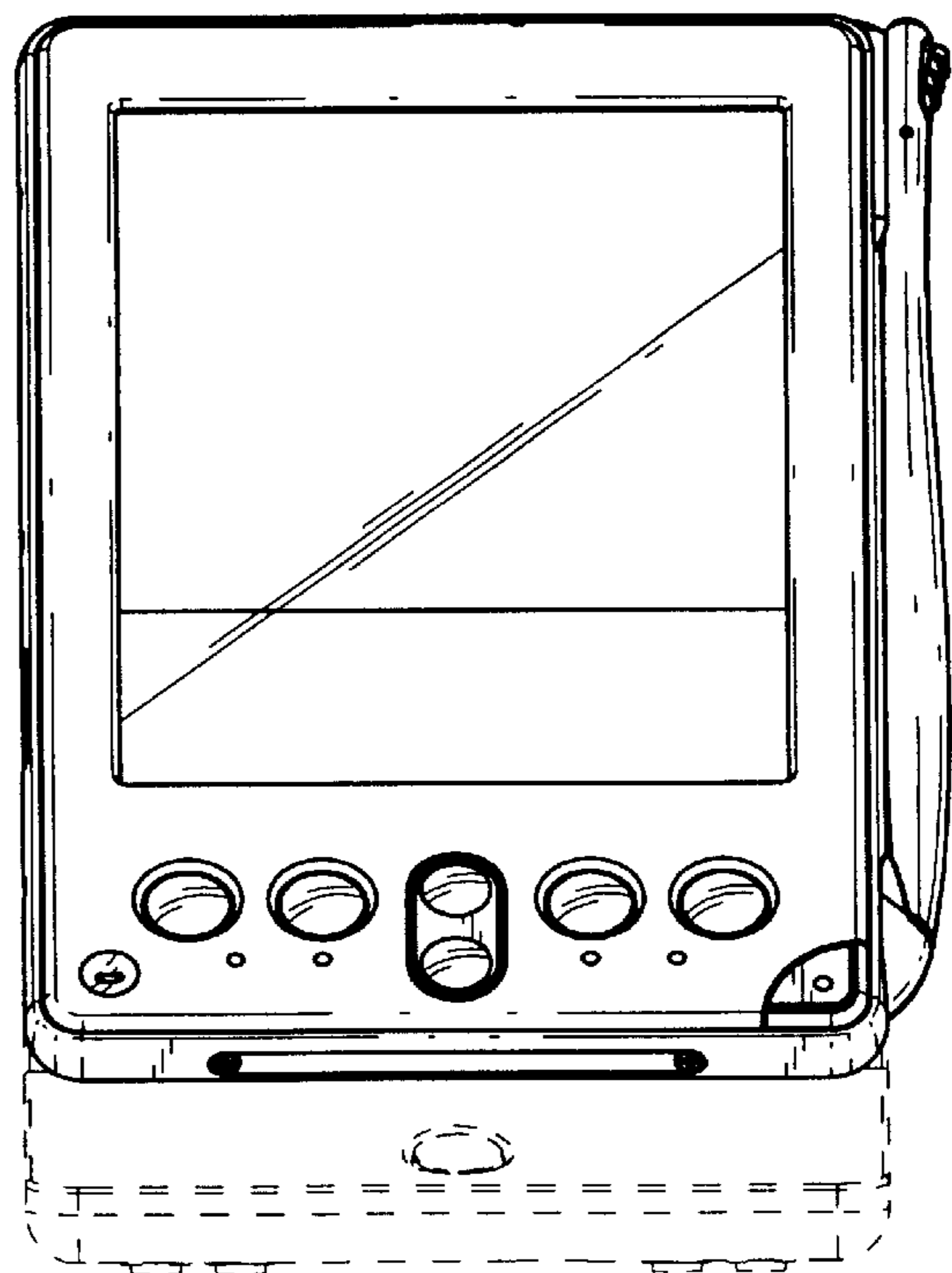


FIG. 14

FIG. 15

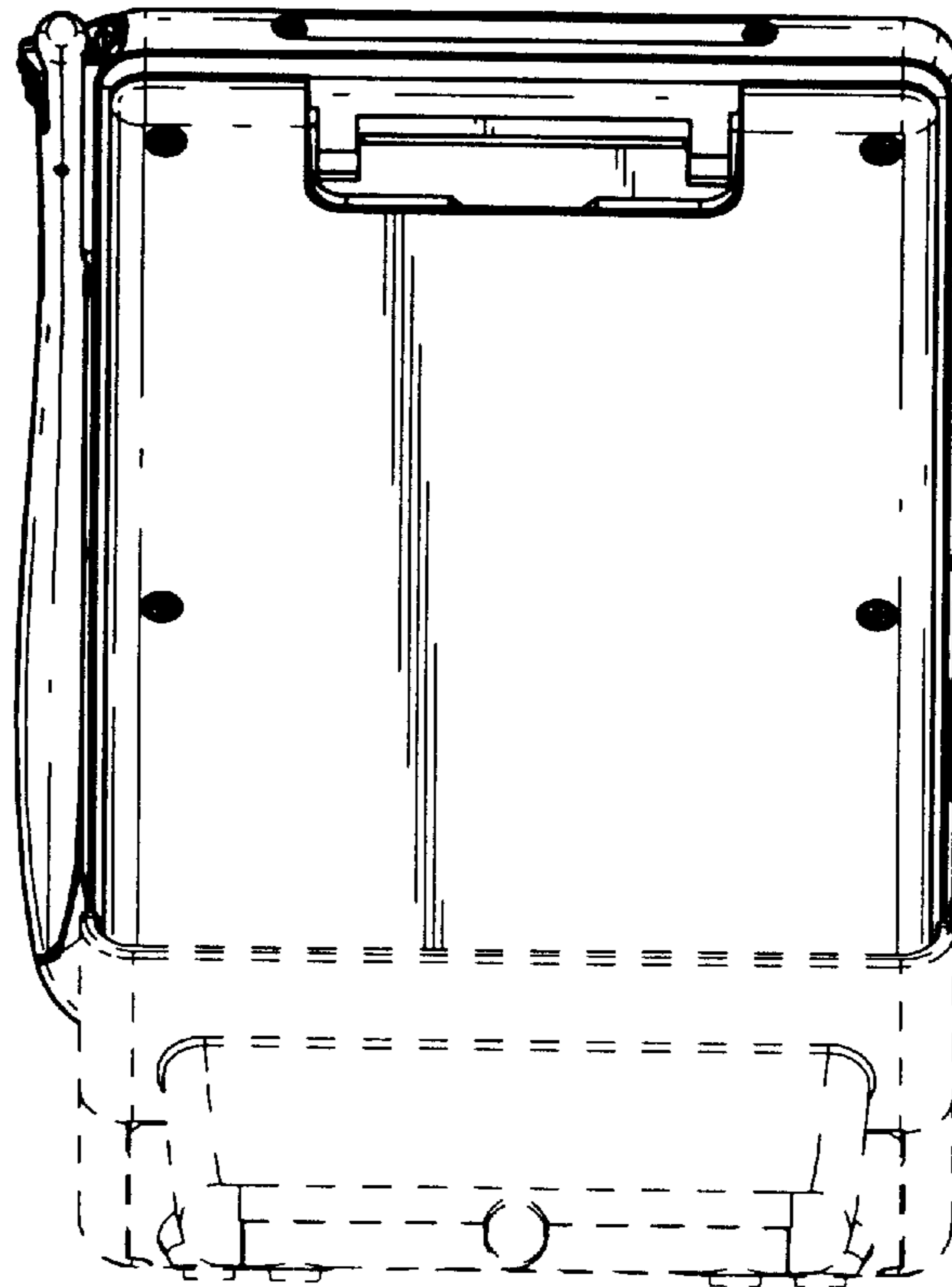
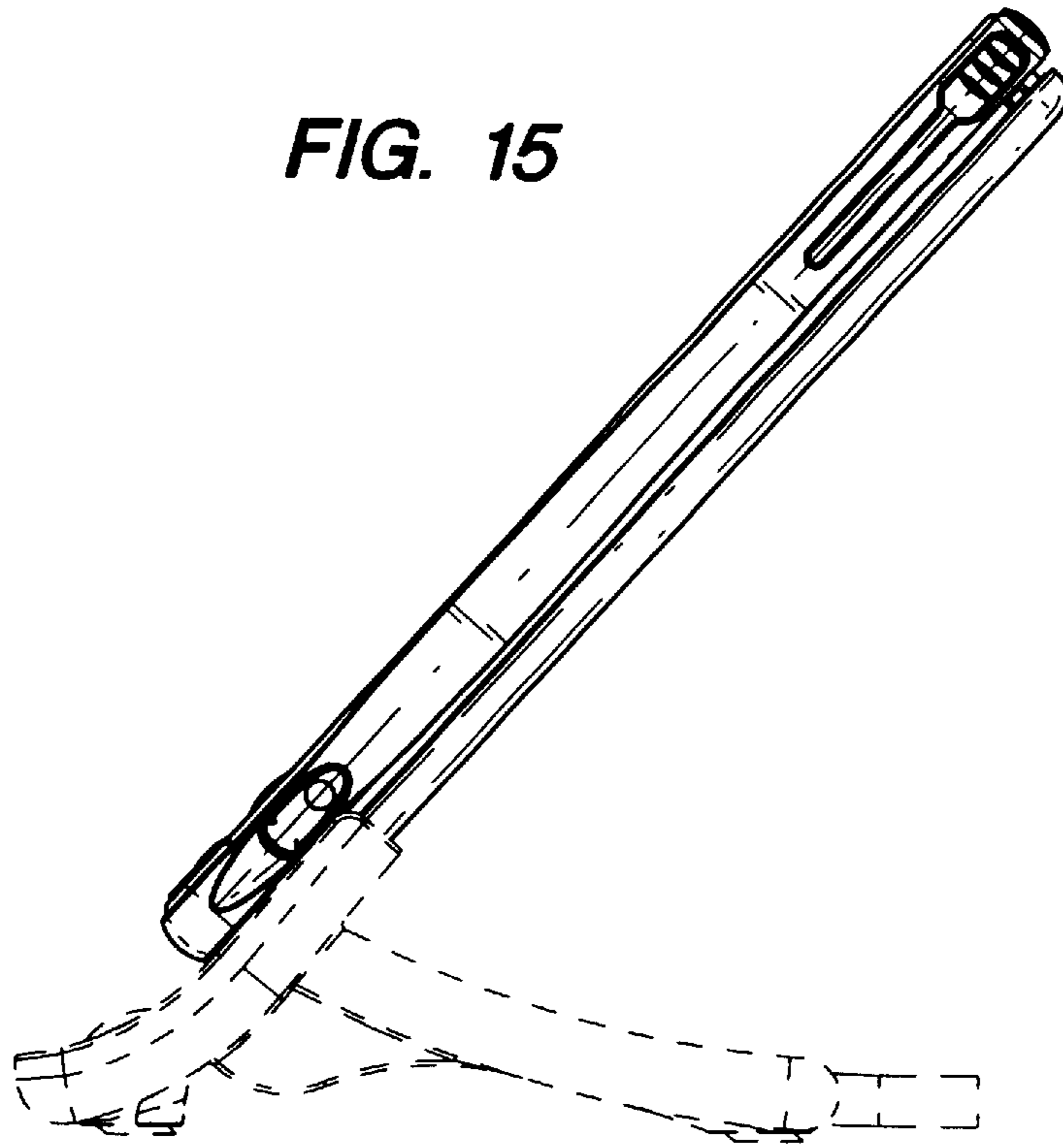


FIG. 16