



US00D466112S

(12) **United States Design Patent**
Suzuki et al.

(10) **Patent No.:** **US D466,112 S**

(45) **Date of Patent:** **** Nov. 26, 2002**

(54) **FUNCTION EXTENSION MACHINE FOR A PORTABLE WIRELESS TELEPHONE**

(75) Inventors: **Takeshi Suzuki**, Tokyo (JP); **Michio Nagai**, Tokyo (JP); **Hirohisa Miyazaki**, Tokyo (JP)

(73) Assignee: **NEC Corporation**, Tokyo (JP)

(**) Term: **14 Years**

(21) Appl. No.: **29/148,753**

(22) Filed: **Sep. 27, 2001**

(30) **Foreign Application Priority Data**

Mar. 28, 2001 (JP) 2001-008858

(51) **LOC (7) Cl.** **14-03**

(52) **U.S. Cl.** **D14/240**

(58) **Field of Search** D14/137, 240, D14/138, 242, 308, 356, 357, 358, 311, 313, 441, 384, 144, 348-355, 370, 438, 341-347, 125, 432, 433, 434, 155, 299, 257, 439, 140, 188, 230, 241, 243, 245; 379/433.01-433.13, 419, 434, 131, 428.01-428.04, 420.01-420.04, 440, 441, 442; 455/550-575, 90; D13/184, 123, 152, 119, 103, 147, 110, 164, 133; 200/296, 293

(56) **References Cited**

U.S. PATENT DOCUMENTS

3,970,793 A * 7/1976 Profitt et al. 379/131
D269,433 S * 6/1983 Stein et al. D14/240
D313,404 S * 1/1991 Myers D14/434
D331,572 S * 12/1992 Roe D14/433
D337,984 S * 8/1993 Lindahl D13/103
D343,383 S * 1/1994 Hall et al. D13/133

D345,341 S * 3/1994 Tattari et al. D13/119
D364,853 S * 12/1995 Ojeda D14/434
D405,064 S * 2/1999 Iino D14/434
D406,848 S * 3/1999 Salmi D14/240
D407,708 S * 4/1999 Nagele et al. D14/240
D413,104 S * 8/1999 Curtis et al. D13/147
D413,898 S * 9/1999 Lohrding et al. D14/256
5,951,317 A * 9/1999 Tracy et al. 439/352
D420,008 S * 2/2000 Lohrding et al. D14/240
D420,671 S * 2/2000 Jacobsen et al. D14/240
D420,990 S * 2/2000 Lin D14/438
D425,071 S * 5/2000 Boswell D14/240
D425,484 S * 5/2000 Ahlgren D13/147
D425,881 S * 5/2000 Borza D14/384
D427,587 S * 7/2000 Jacobsen et al. D14/240
D452,495 S * 12/2001 Murnaghan et al. D14/242
D452,496 S * 12/2001 Murnaghan et al. D14/242
D455,432 S * 4/2002 Freitag et al. D14/434

* cited by examiner

Primary Examiner—Jeffrey Asch

(74) *Attorney, Agent, or Firm*—Sughrue Mion, PLLC

(57) **CLAIM**

The ornamental design for a function extension machine for a portable wireless telephone, as shown.

DESCRIPTION

FIG. 1 is a perspective view of the top, front and right side of a function extension machine for a portable wireless telephone showing our new design;

FIG. 2 is a front elevational view thereof;

FIG. 3 is a rear elevational view thereof;

FIG. 4 is a left side elevational view thereof;

FIG. 5 is a right side elevational view thereof;

FIG. 6 is a top plan view; and,

FIG. 7 is a bottom plan view thereof.

1 Claim, 3 Drawing Sheets

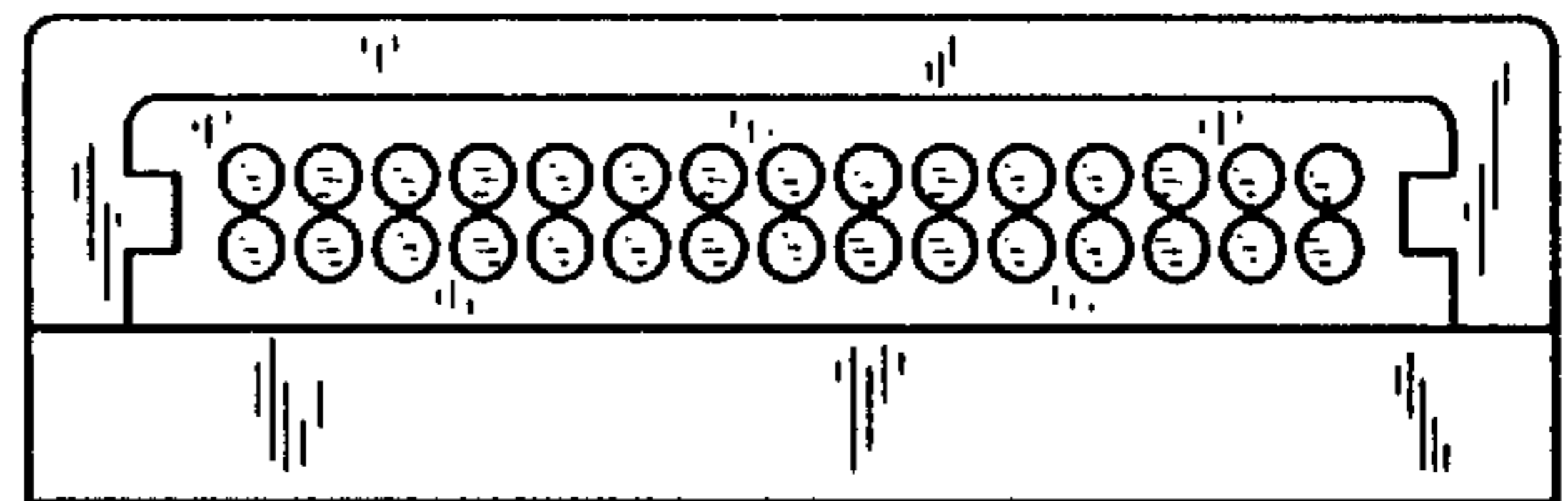
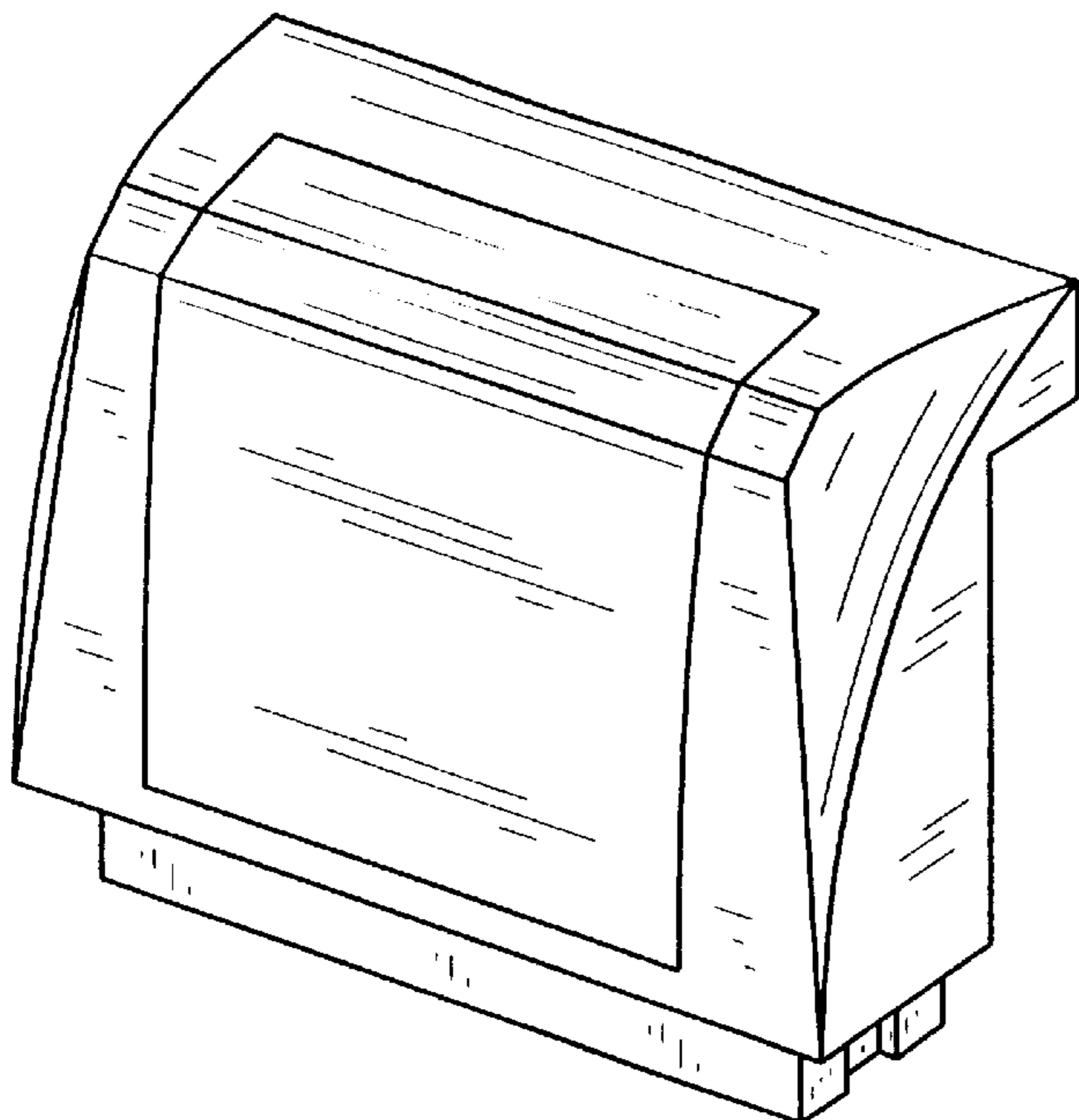


FIG. 1

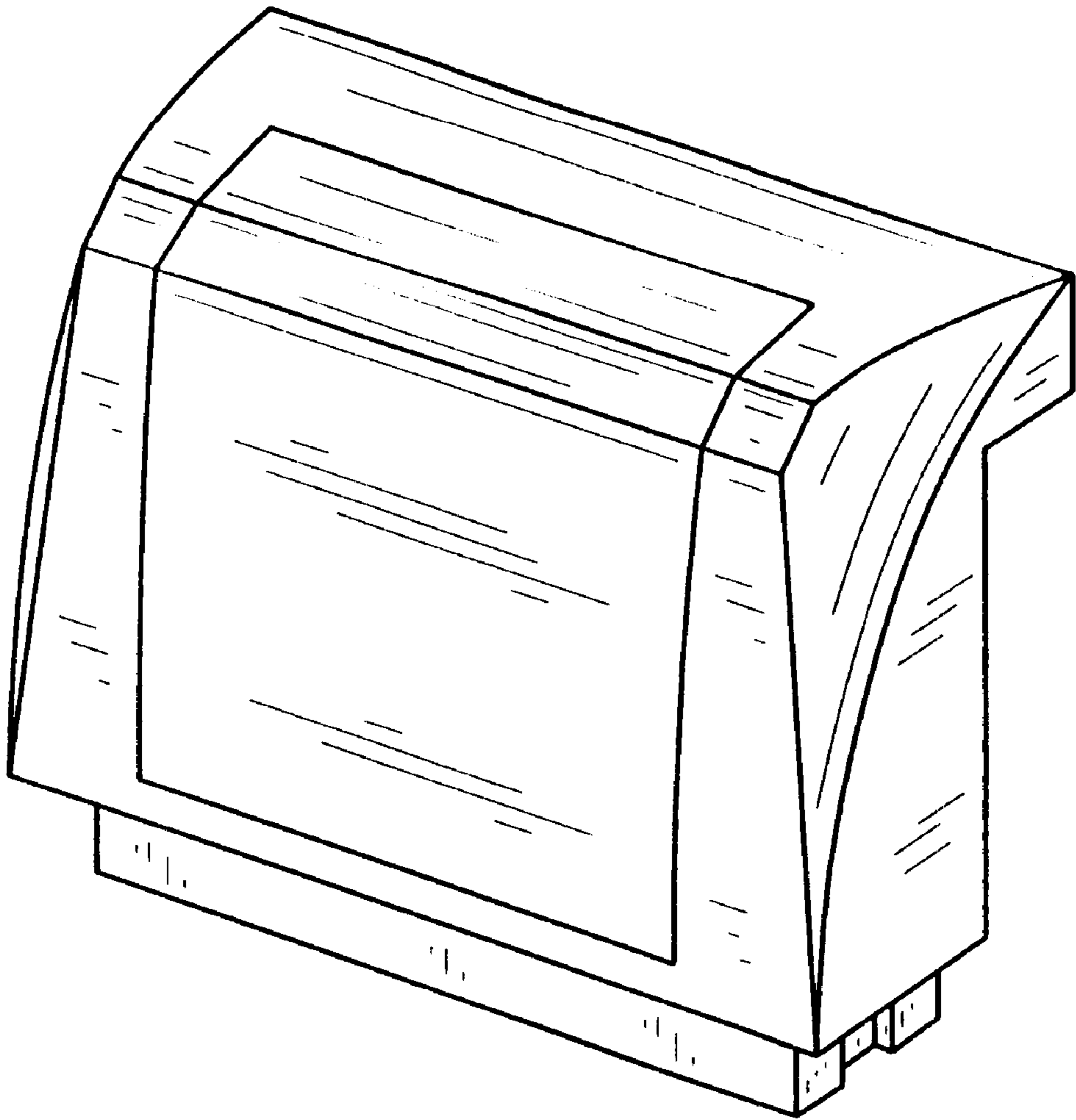


FIG. 2

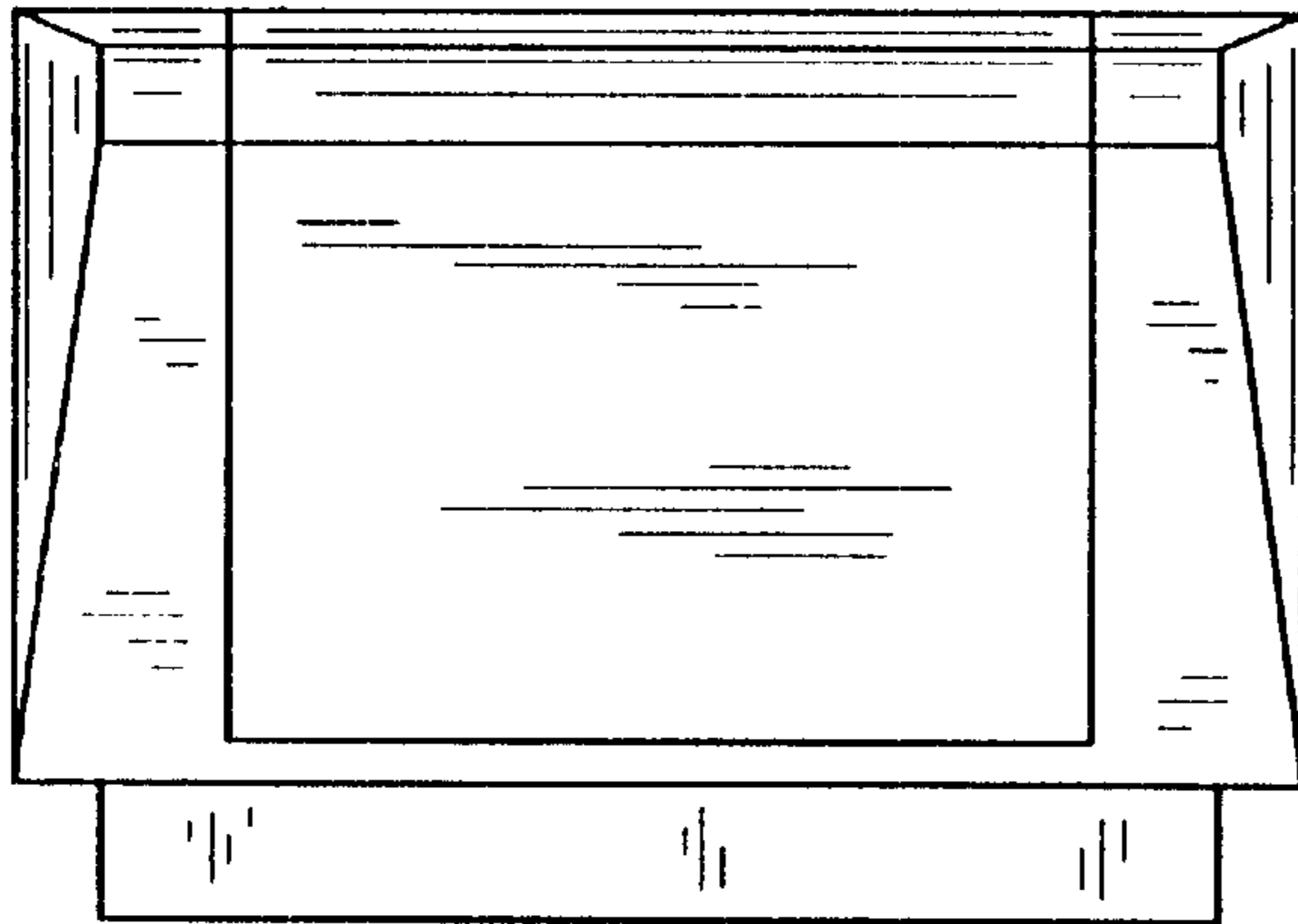


FIG. 4

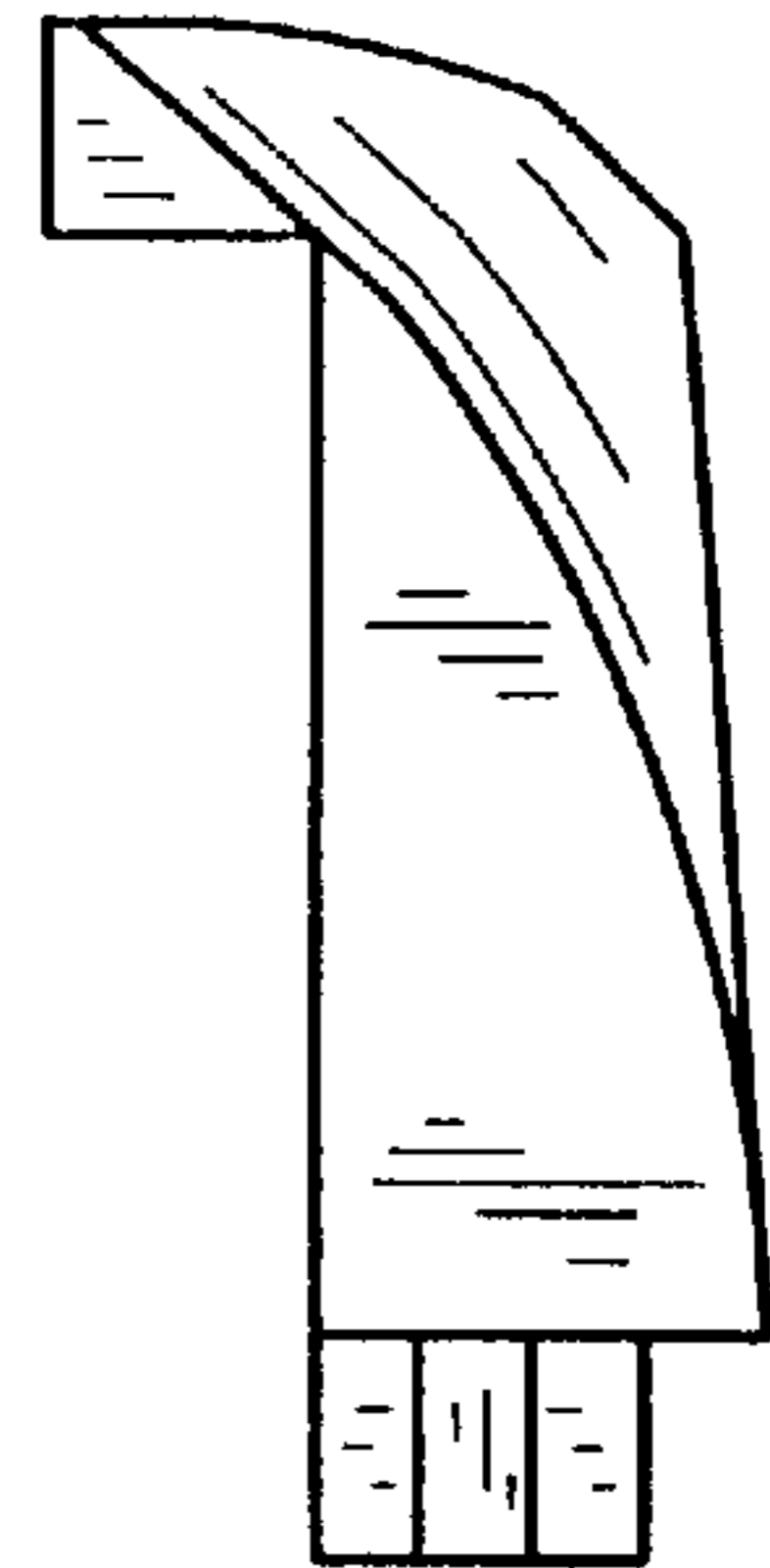


FIG. 3

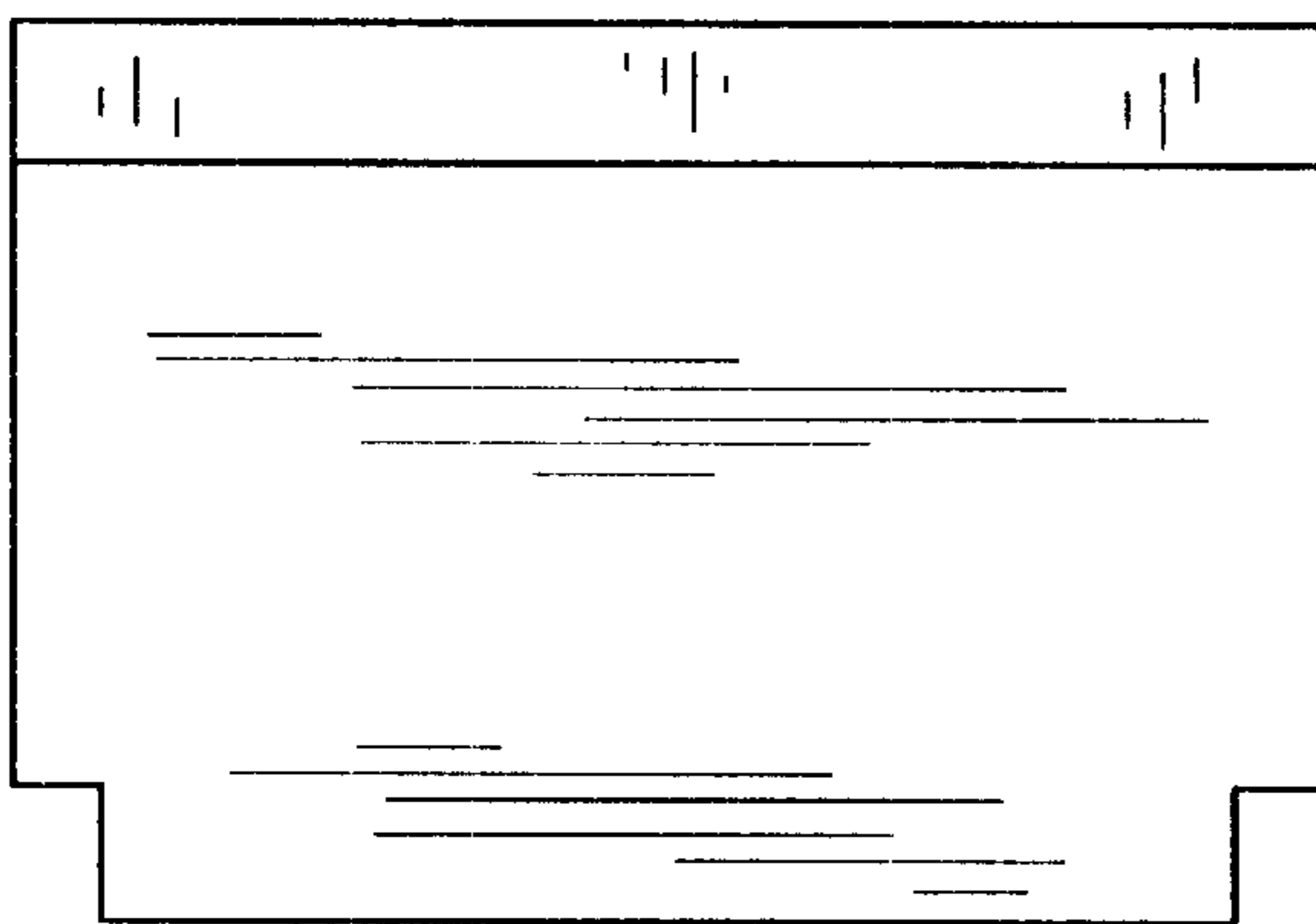


FIG. 5

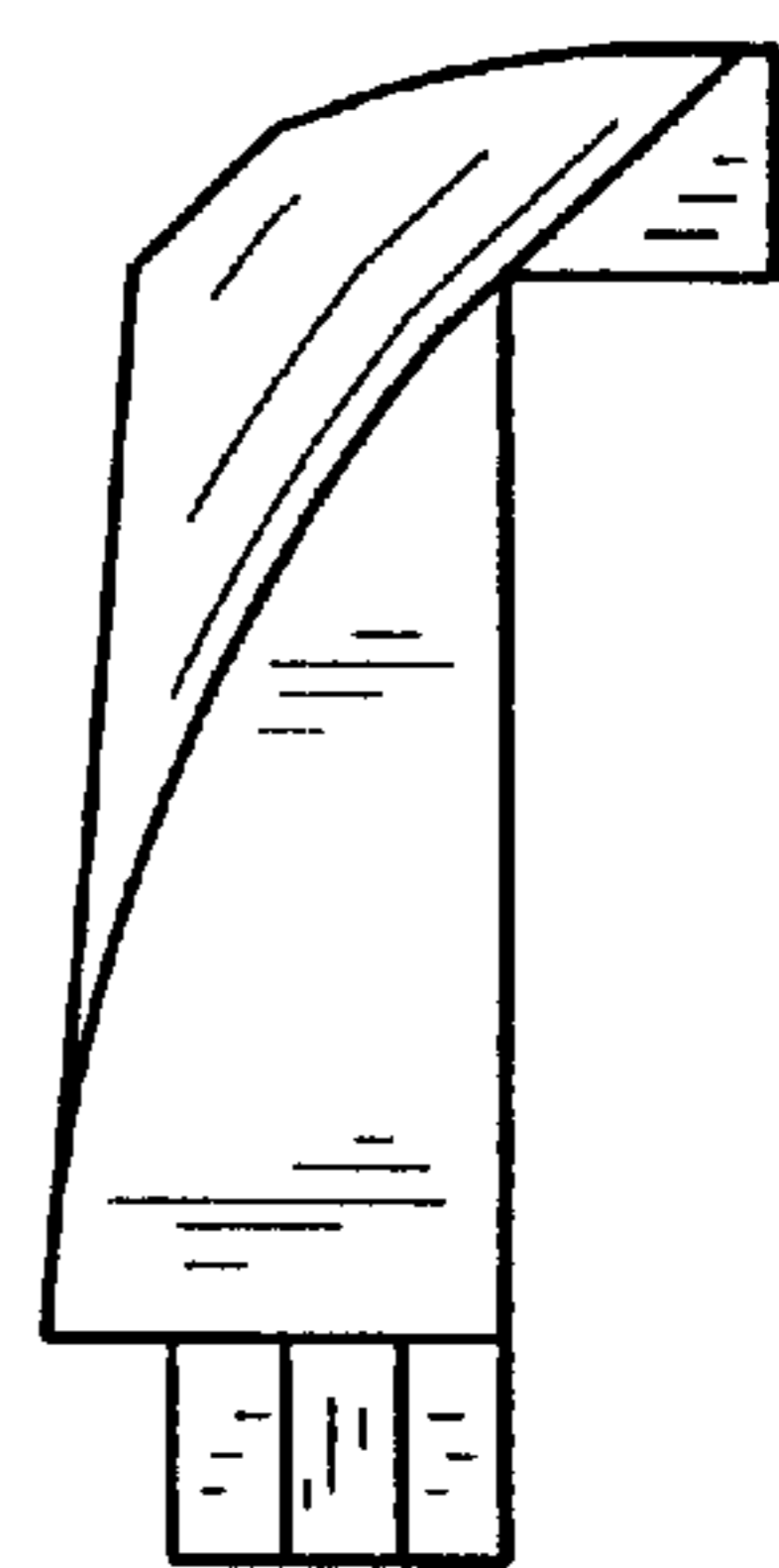


FIG. 6

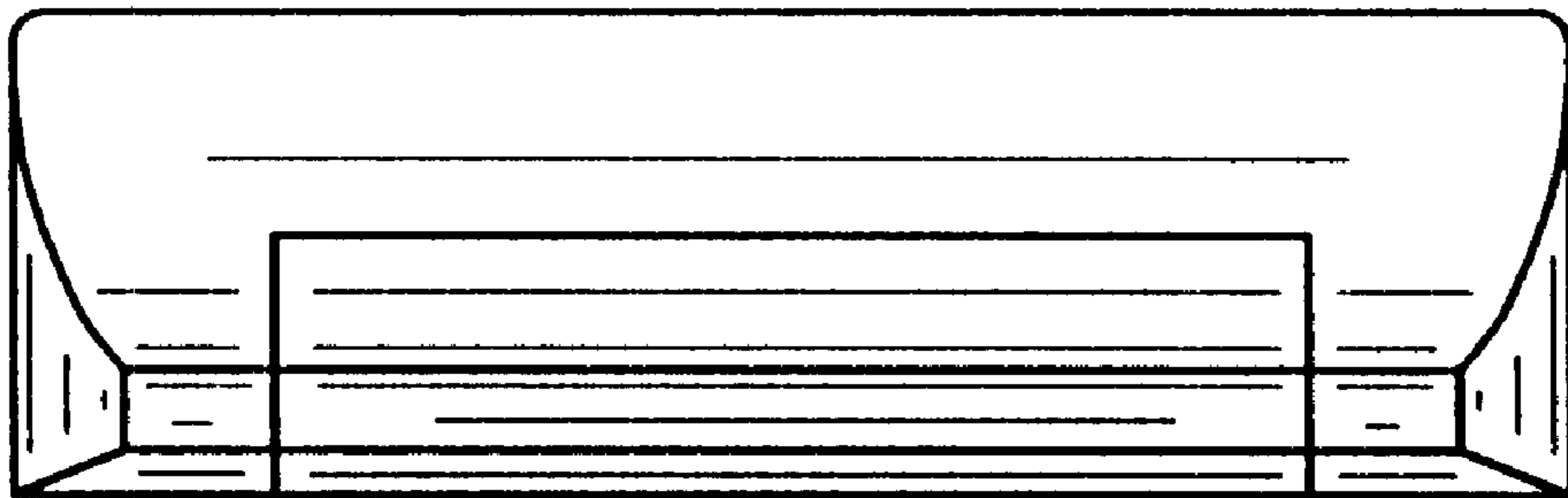


FIG. 7

