

US00D466109S

(12) **United States Design Patent**  
**Kohler**

(10) **Patent No.:** **US D466,109 S**

(45) **Date of Patent:** **\*\* Nov. 26, 2002**

(54) **DRUM MICROPHONE CLIP**

(75) Inventor: **Georg Kohler**, Canby, OR (US)

(73) Assignee: **Audix Corporation**, Wilsonville, OR (US)

(\*\*) Term: **14 Years**

(21) Appl. No.: **29/147,508**

(22) Filed: **Aug. 29, 2001**

(51) **LOC (7) Cl.** ..... **14-01**

(52) **U.S. Cl.** ..... **D14/229**

(58) **Field of Search** ..... D14/229, 225, D14/228, 227; D8/355; 224/669, 678; 381/363, 354, 361, 366; 248/414, 122.1; D17/22

(56) **References Cited**

**U.S. PATENT DOCUMENTS**

2,776,462 A \* 1/1957 Burroughs ..... 248/122.1  
4,040,547 A \* 8/1977 Dickey ..... 224/247  
D296,095 S \* 6/1988 Kubota ..... D14/227

D302,158 S \* 7/1989 Kubota ..... D14/225  
D305,026 S \* 12/1989 Wolf ..... D14/229  
D408,436 S \* 4/1999 Lombardi ..... D17/22

\* cited by examiner

*Primary Examiner*—Paula A. Mortimer

(74) *Attorney, Agent, or Firm*—ipsolon llp

(57) **CLAIM**

The ornamental design for a drum microphone clip, as shown and described.

**DESCRIPTION**

FIG. 1 is a bottom, right perspective view of a drum microphone clip showing my claimed design; FIG. 2 is right elevational view thereof; FIG. 3 is a left elevational view thereof; FIG. 4 is a back elevational view thereof; FIG. 5 is a front elevational view thereof; FIG. 6 is a top plan view thereof; and, FIG. 7 is a bottom plan view thereof.

**1 Claim, 2 Drawing Sheets**

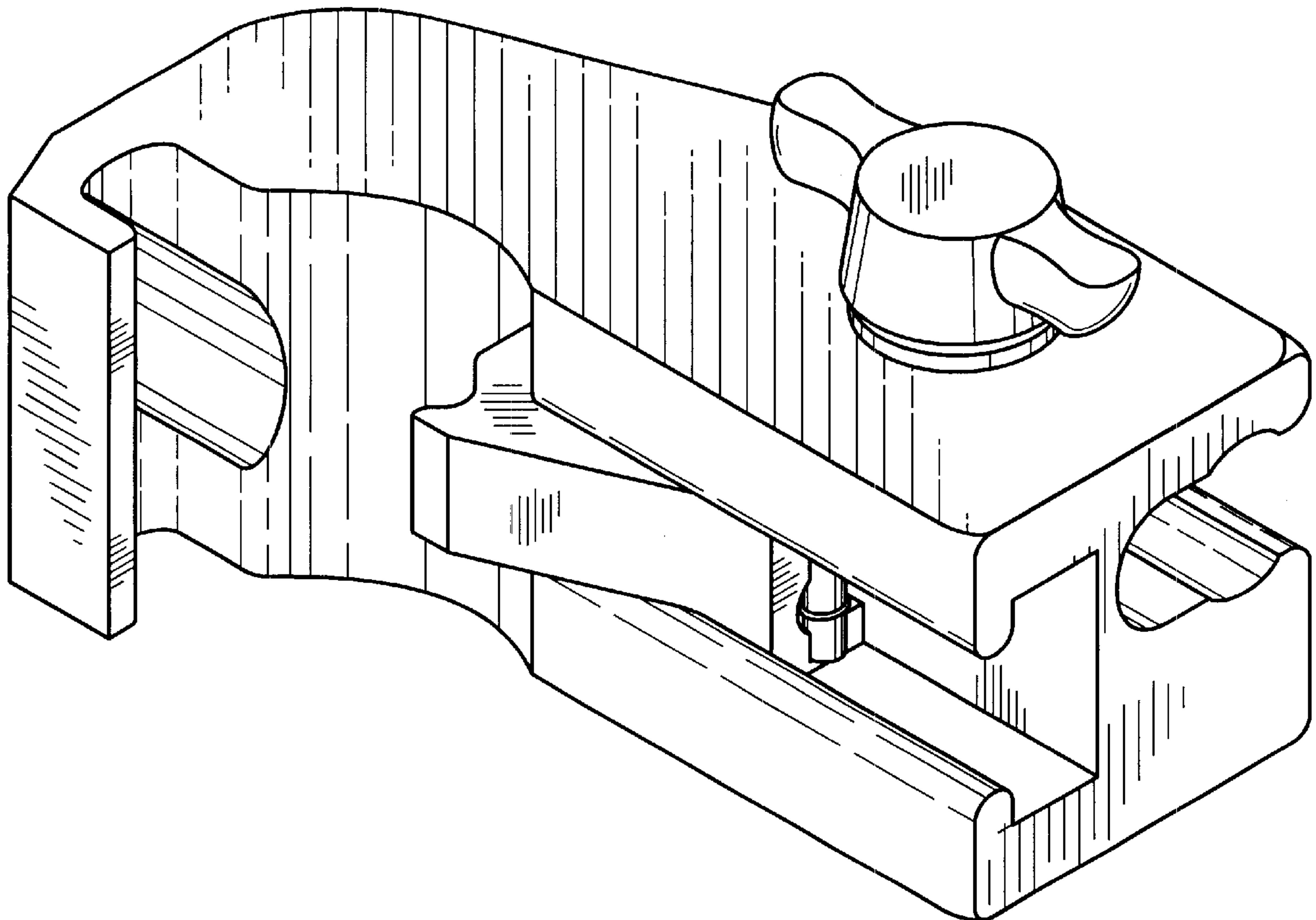


Fig. 1

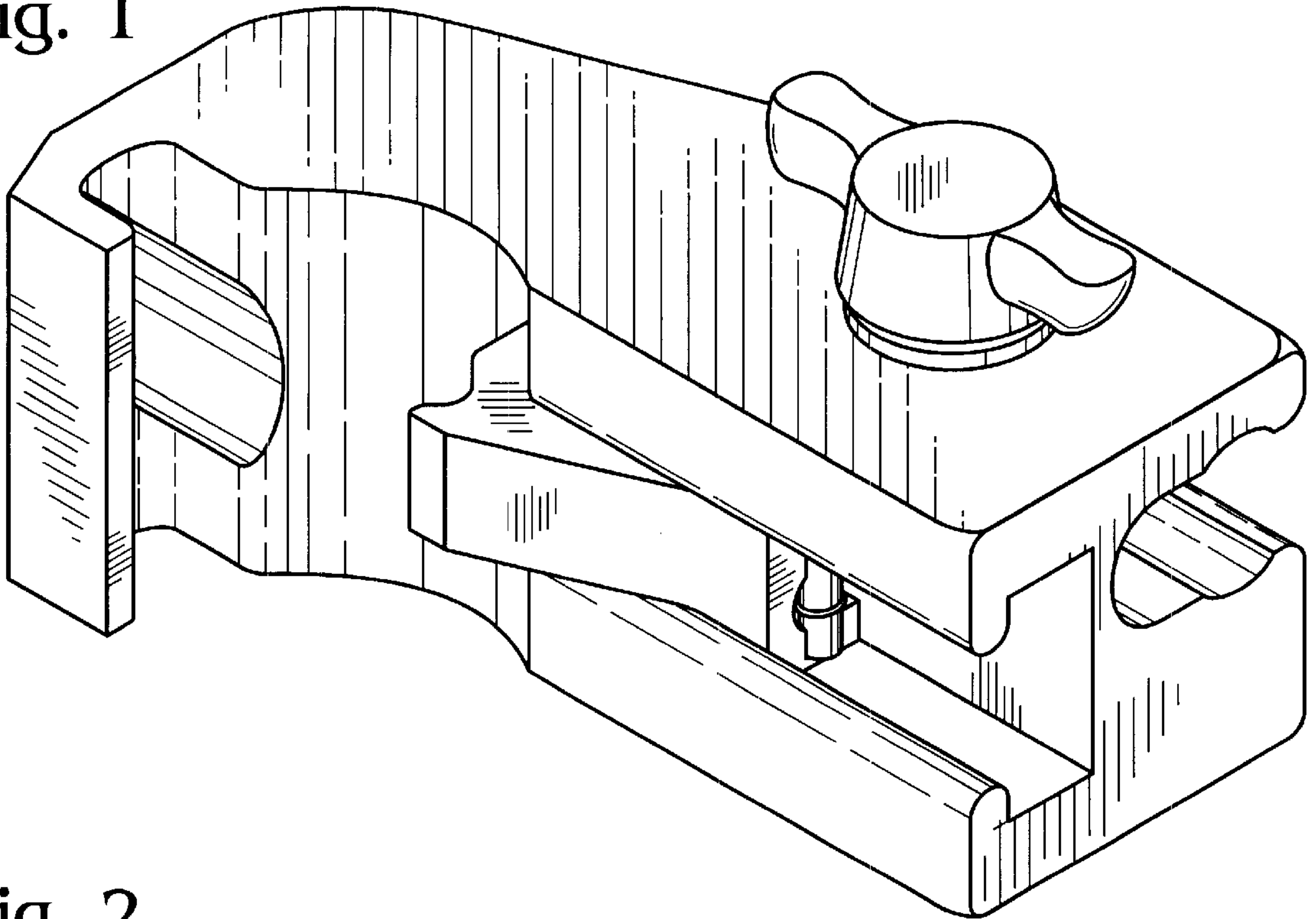


Fig. 2

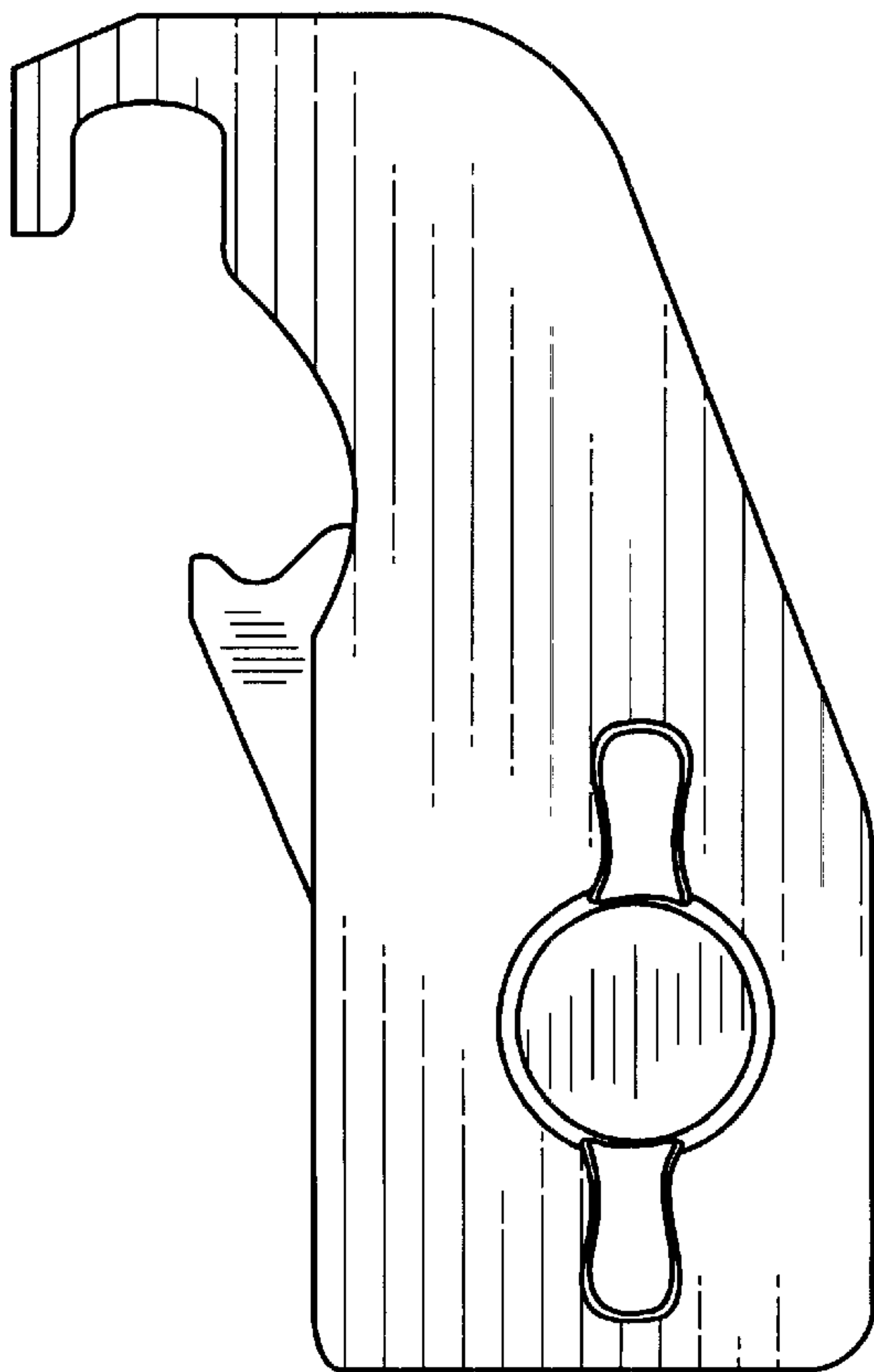


Fig. 3

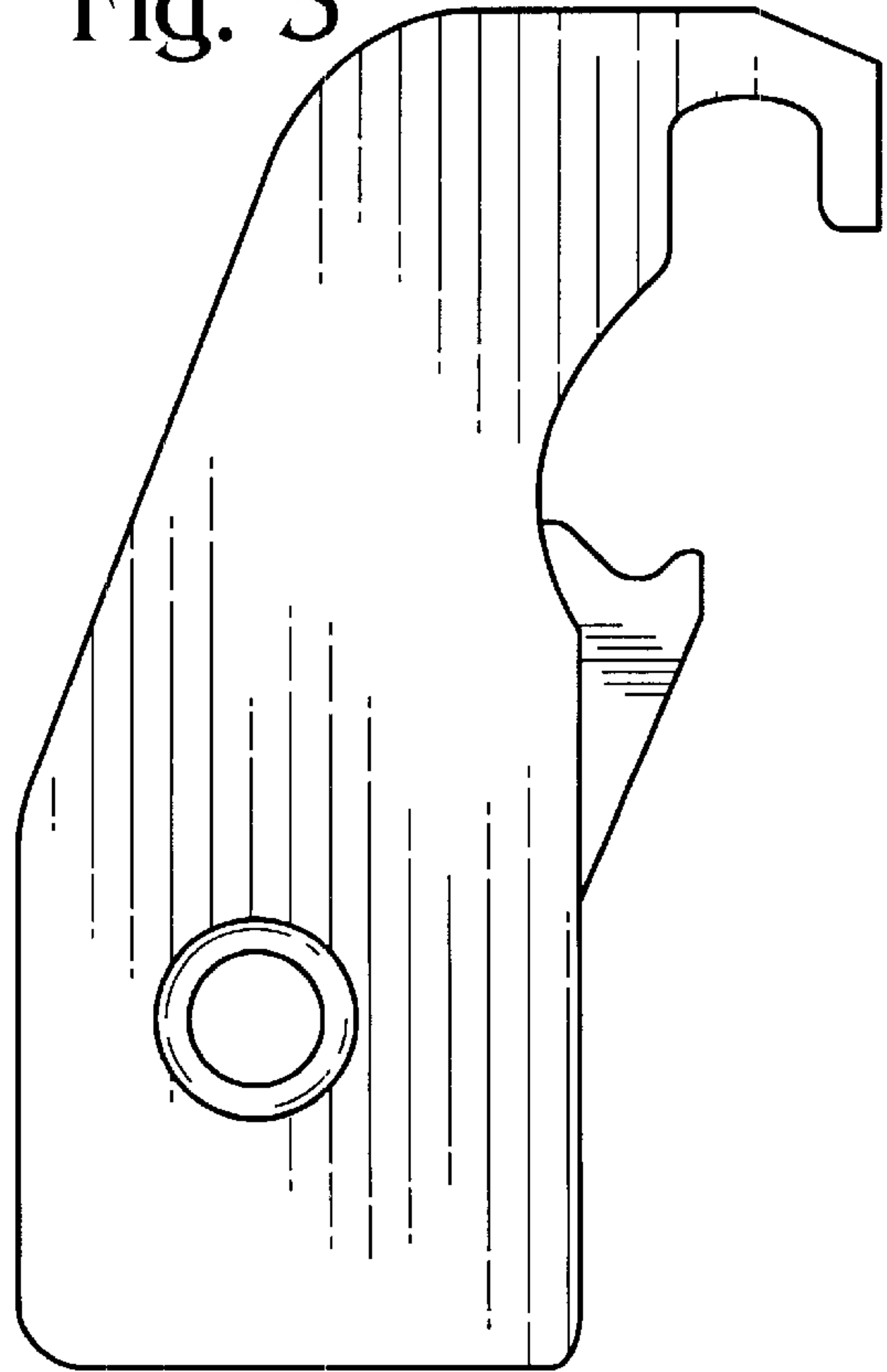


Fig. 4

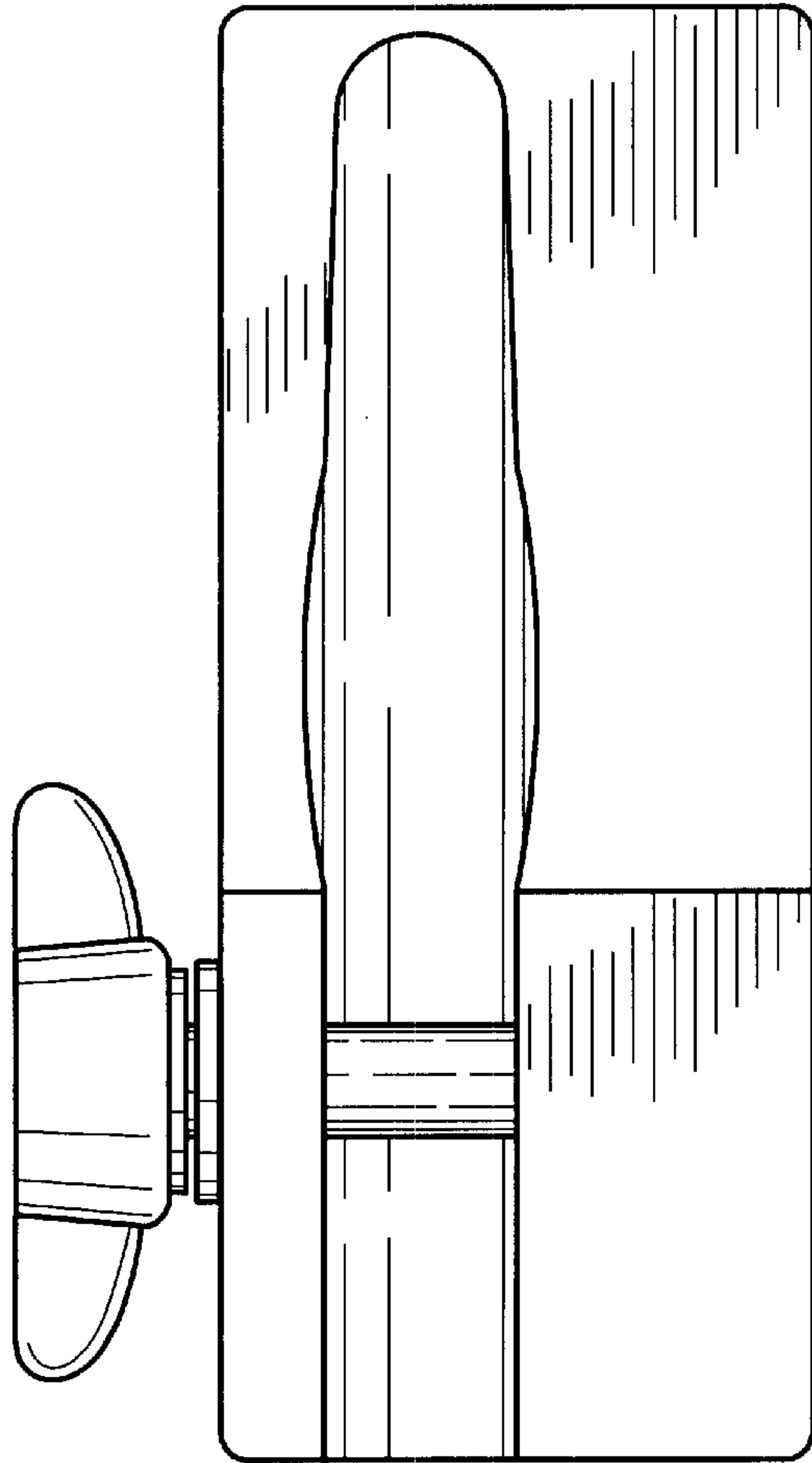


Fig. 5

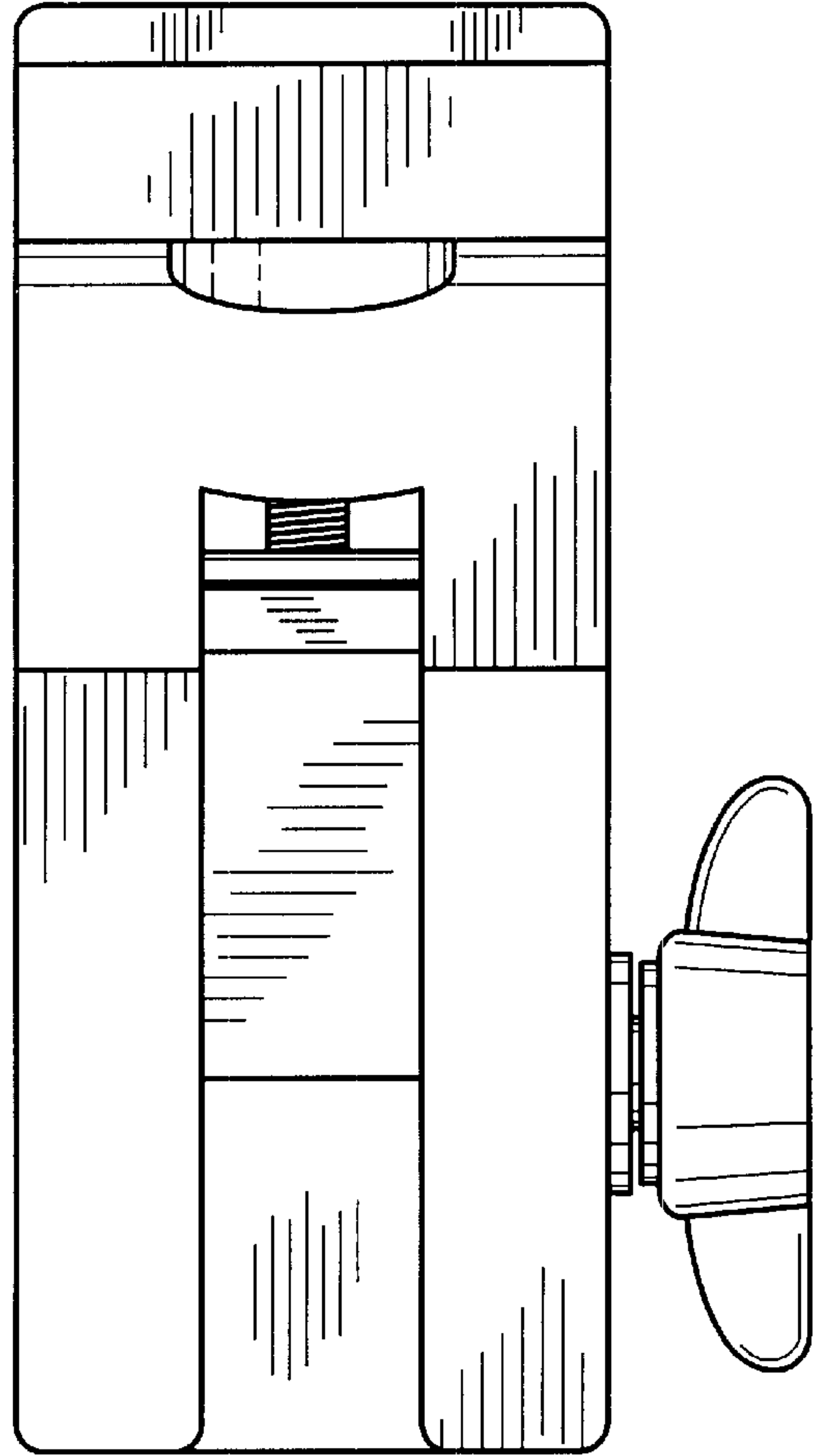


Fig. 6

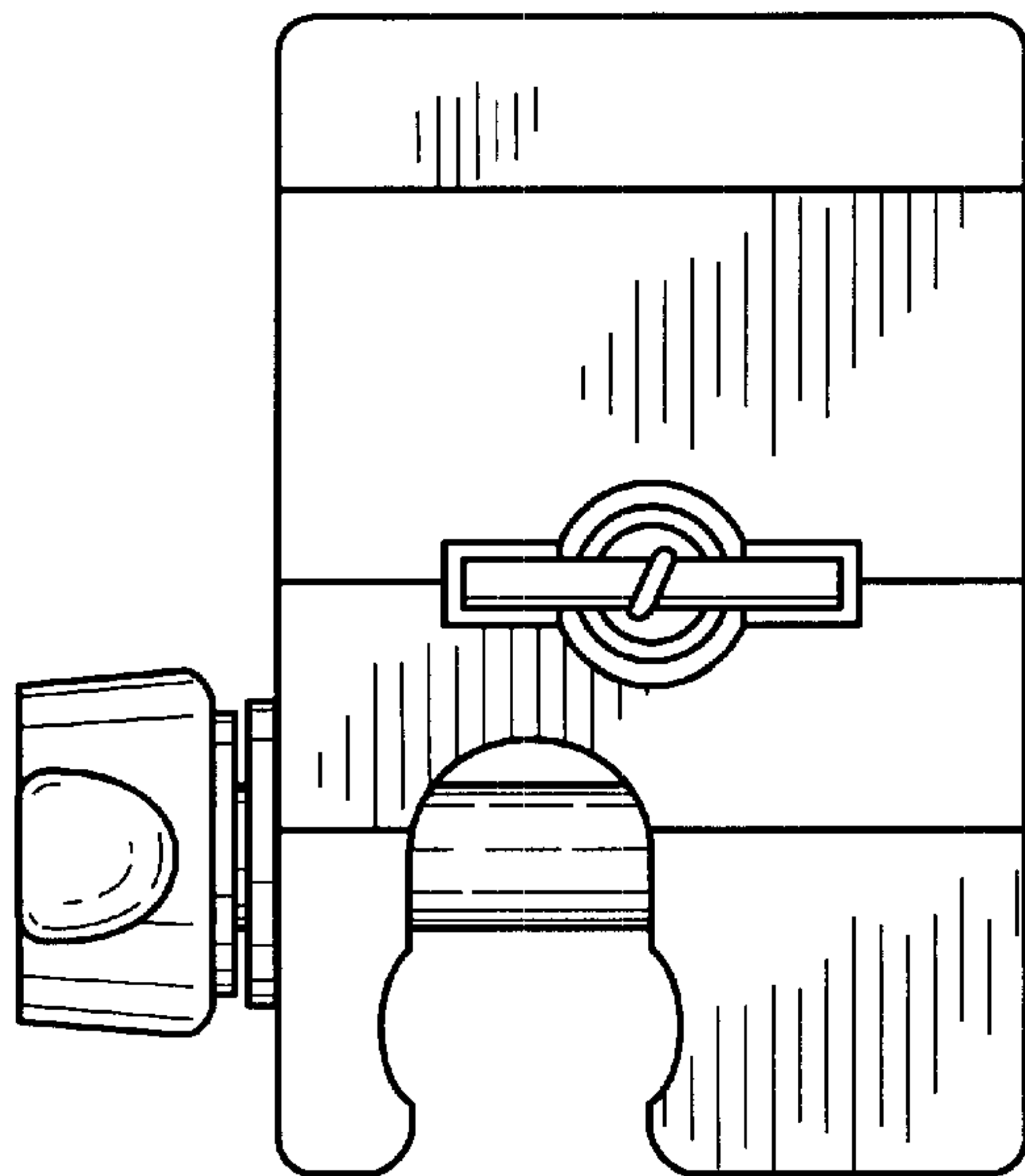


Fig. 7

