



US00D466108S

(12) **United States Design Patent**
Glodava et al.

(10) **Patent No.:** **US D466,108 S**

(45) **Date of Patent:** **** Nov. 26, 2002**

(54) **REMOTE CONTROL**

(75) Inventors: **Derrick A. Glodava**, Arvada, CO (US);
Jerry Greenwald, Lakewood, CO (US)

(73) Assignee: **U.S. Electronics, Inc.**, Littleton, CO (US)

(**) Term: **14 Years**

(21) Appl. No.: **29/143,554**

(22) Filed: **Jun. 15, 2001**

(51) **LOC (7) Cl.** **14-03**

(52) **U.S. Cl.** **D14/218**

(58) **Field of Search** D14/174, 217,
D14/218, 167, 168, 191-193, 124, 299;
D13/168, 162-64; D21/512-517, 566; D10/104,
106; 348/114, 734; 455/352-355, 151.1-151.4

(56) **References Cited**

U.S. PATENT DOCUMENTS

D377,651 S	*	1/1997	Biasotti et al.	D14/218
D383,462 S	*	9/1997	Martz et al.	D14/218
D387,352 S	*	12/1997	Kaneko et al.	D14/218
D396,233 S	*	7/1998	Renk et al.	D14/218
5,973,757 A	*	10/1999	Aubuchon et al.	D14/218
D434,409 S	*	11/2000	Clapper	D14/218

* cited by examiner

Primary Examiner—Louis S. Zarfaz

Assistant Examiner—Deanne Levy

(74) *Attorney, Agent, or Firm*—Steinberg & Raskin, P.C.

(57) **CLAIM**

We claim the ornamental design for a remote control, as shown and described.

DESCRIPTION

FIG. 1 is a perspective view of a remote control according to the claimed design;

FIG. 2 is a top elevational view of the remote control shown in FIG. 1;

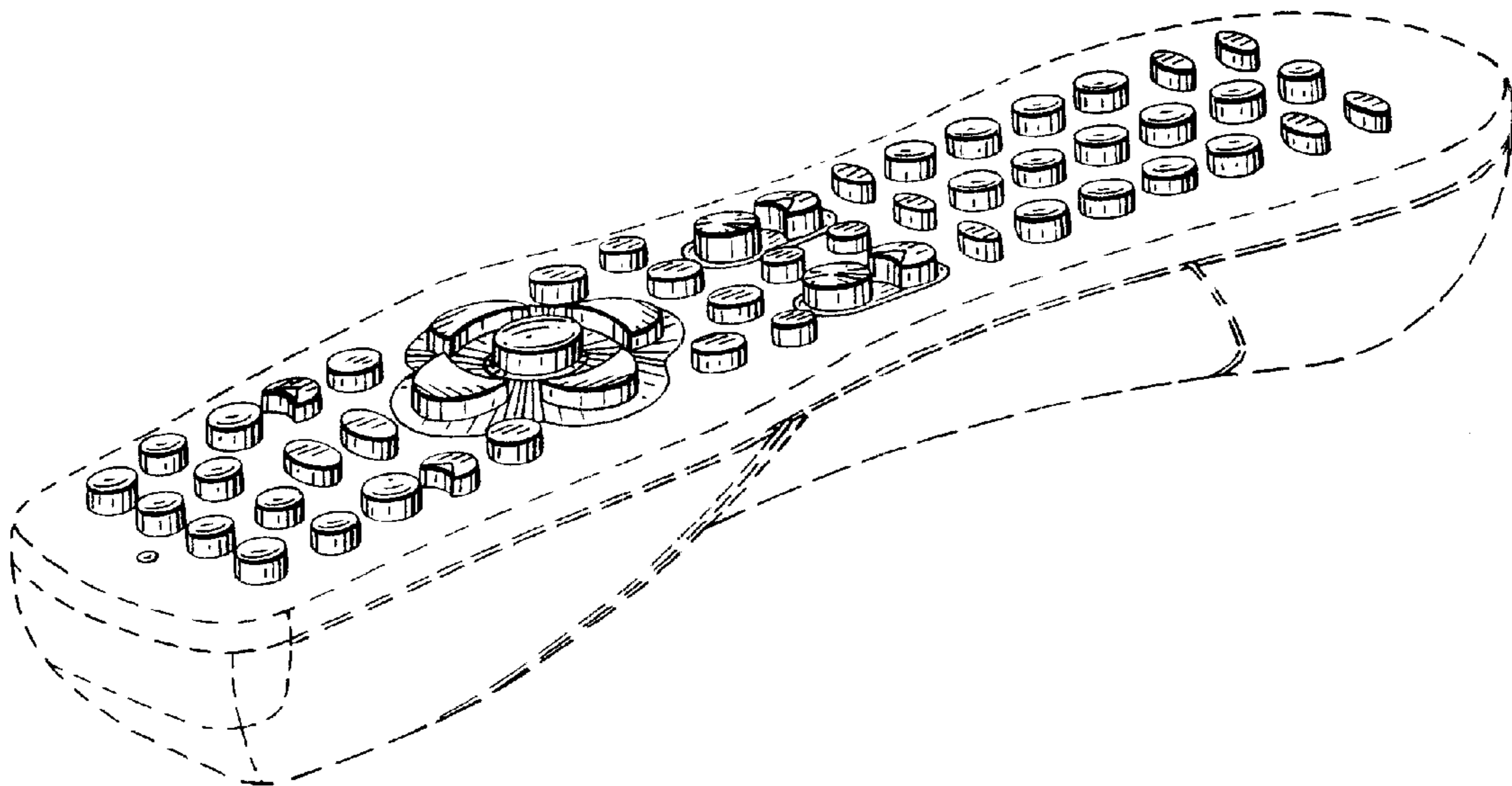
FIG. 3 is a front elevational view of the remote control shown in FIG. 1;

FIG. 4 is a rear elevational view of the remote control shown in FIG. 1; and,

FIG. 5 is a side elevational view of the remote control shown in FIG. 1 (each side of the remote control being a mirror image of the other).

The broken line showing of the body of a remote control is for illustrative purposes only and forms no part of the claimed design.

1 Claim, 3 Drawing Sheets



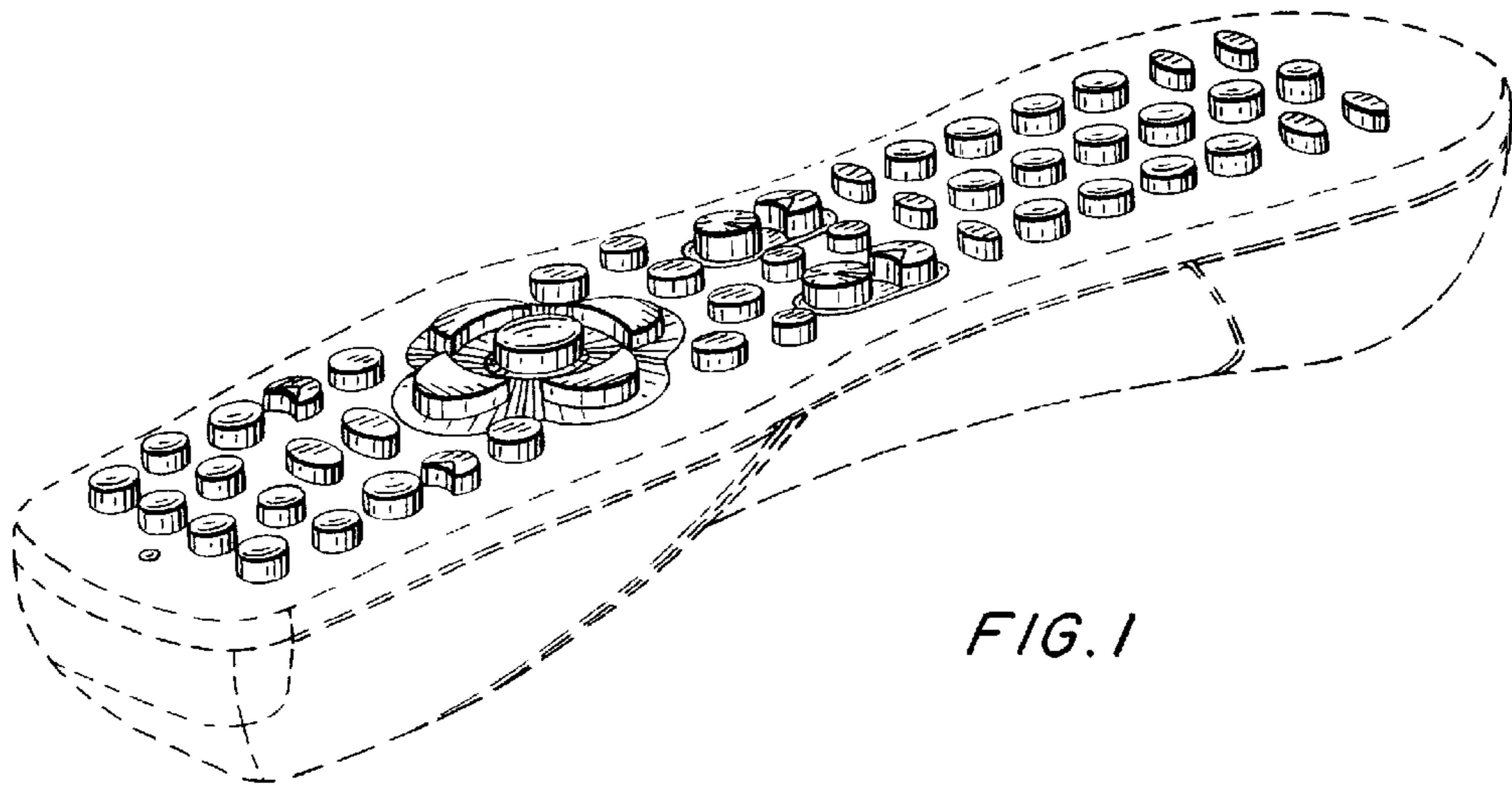


FIG. 1

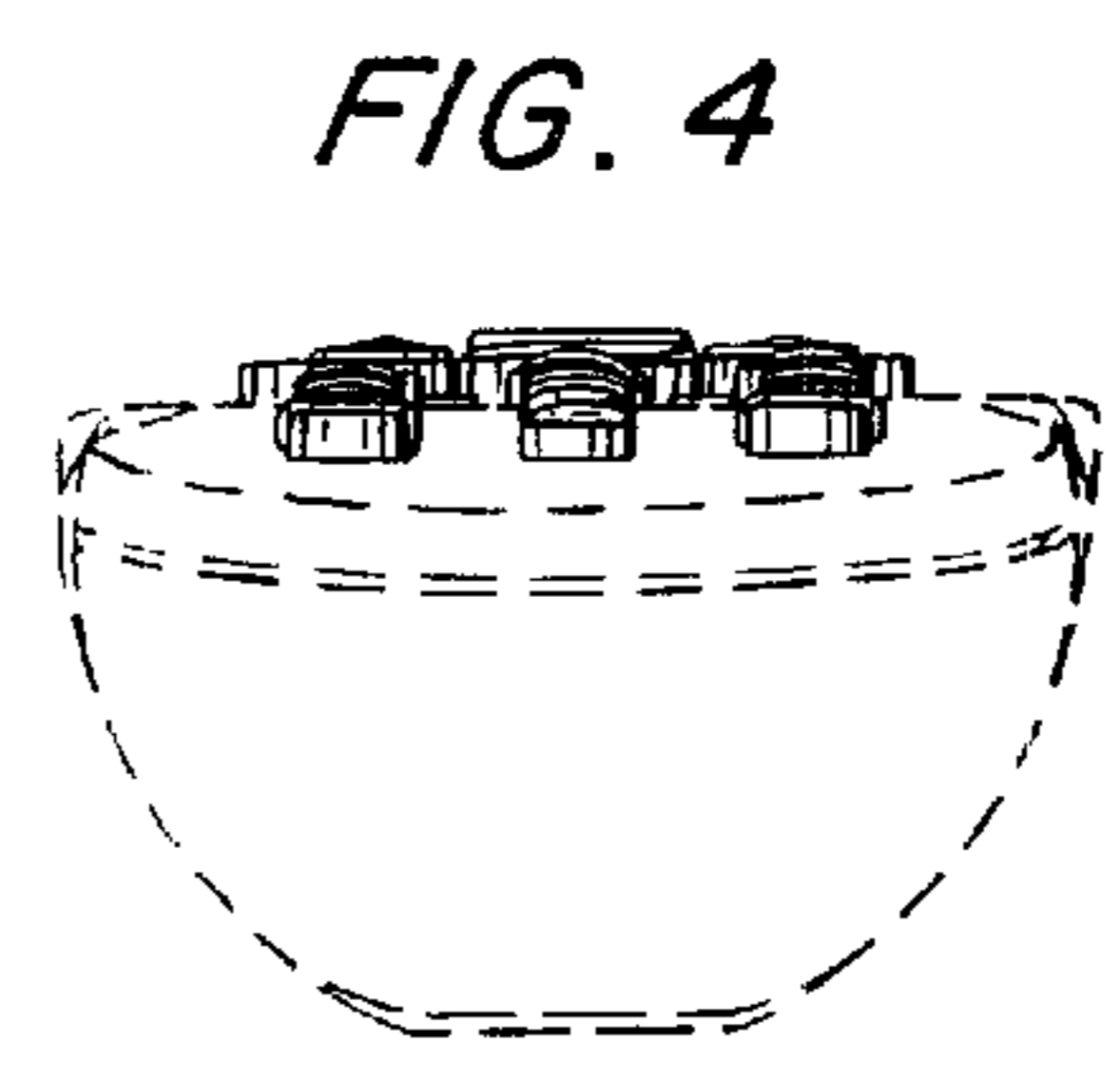
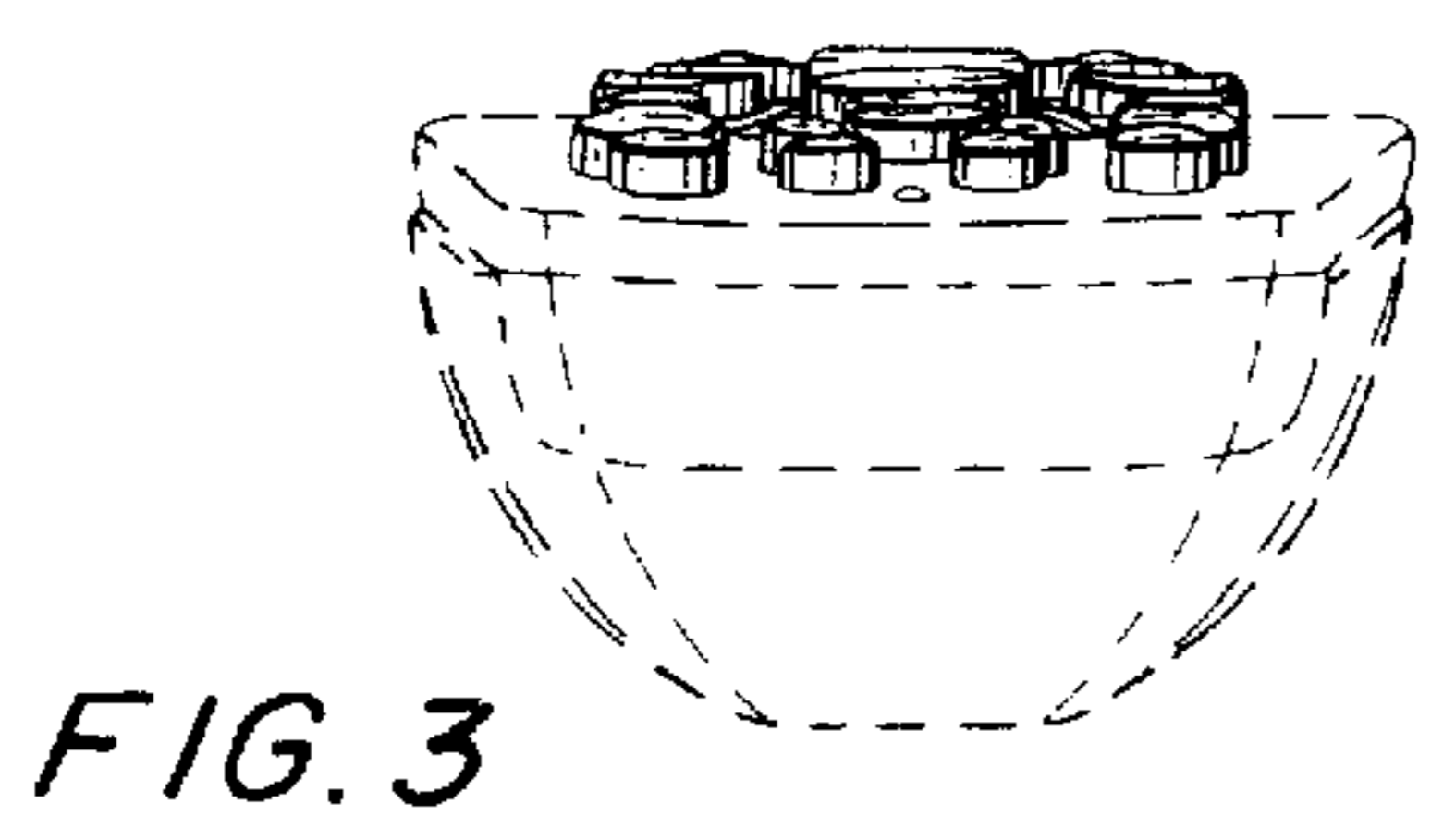
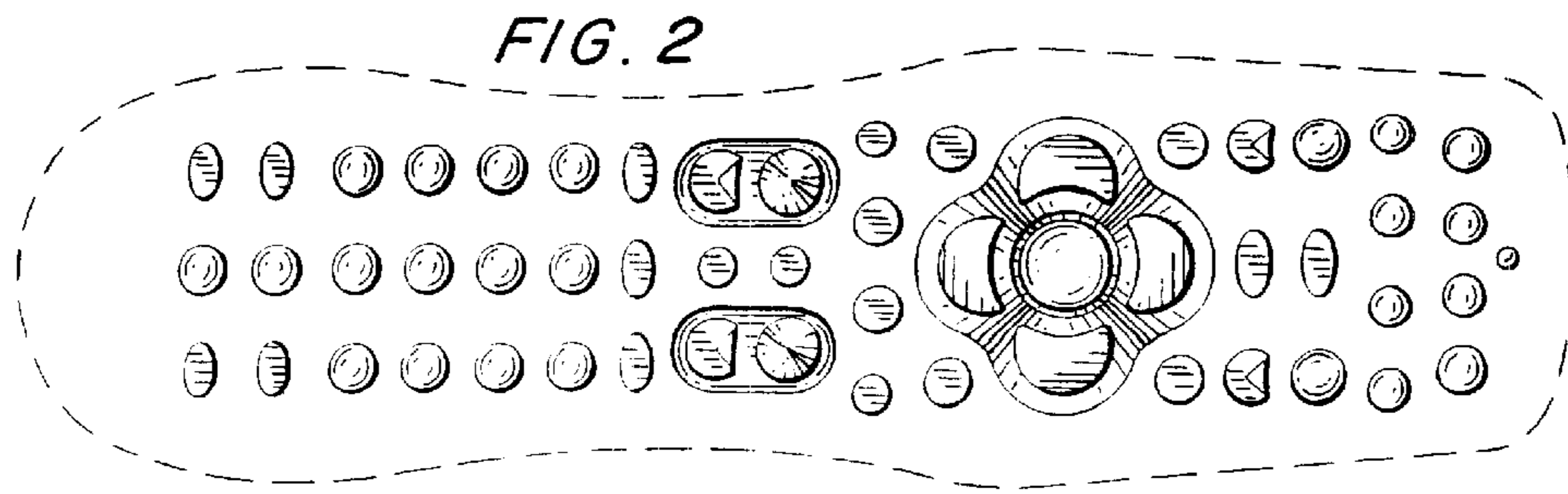


FIG. 5

