



US00D466103S

(12) **United States Design Patent**
Jordan et al.

(10) **Patent No.:** **US D466,103 S**

(45) **Date of Patent:** **** Nov. 26, 2002**

(54) **AUDIO SPEAKER**

(76) Inventors: **Jeff B. Jordan**, 15049 Florida Blvd.,
Baton Rouge, LA (US) 70819; **Erick
Lewko**, 15049 Florida Blvd., Baton
Rouge, LA (US) 70819; **Michael Craig
Romero**, 110 Canefield, Youngstown,
LA (US) 70592

(**) Term: **14 Years**

(21) Appl. No.: **29/152,918**

(22) Filed: **Dec. 28, 2001**

(51) **LOC (7) Cl.** **14-01**

(52) **U.S. Cl.** **D14/207; D14/216**

(58) **Field of Search** D14/204, 207,
D14/209-216; 181/144-145, 147-148,
150, 153, 157, 198-199; 206/0.6, 0.7; 220/560.11,
567.2, 581; 381/300-302, 306, 333, 345,
361-364, 386-388

(56) **References Cited**

U.S. PATENT DOCUMENTS

1,675,083 A * 6/1928 Avery 206/0.7
2,431,675 A * 12/1947 Bour 206/0.7

3,767,591 A * 10/1973 Selleck 206/0.6
3,826,333 A * 7/1974 Buckwalter 181/153
4,756,382 A * 7/1988 Hudson, III 181/153
D393,642 S * 4/1998 Yuyama D14/216

* cited by examiner

Primary Examiner—Nanda Bondade

(74) *Attorney, Agent, or Firm*—Roy, Kiesel, Keegan &
DeNicola

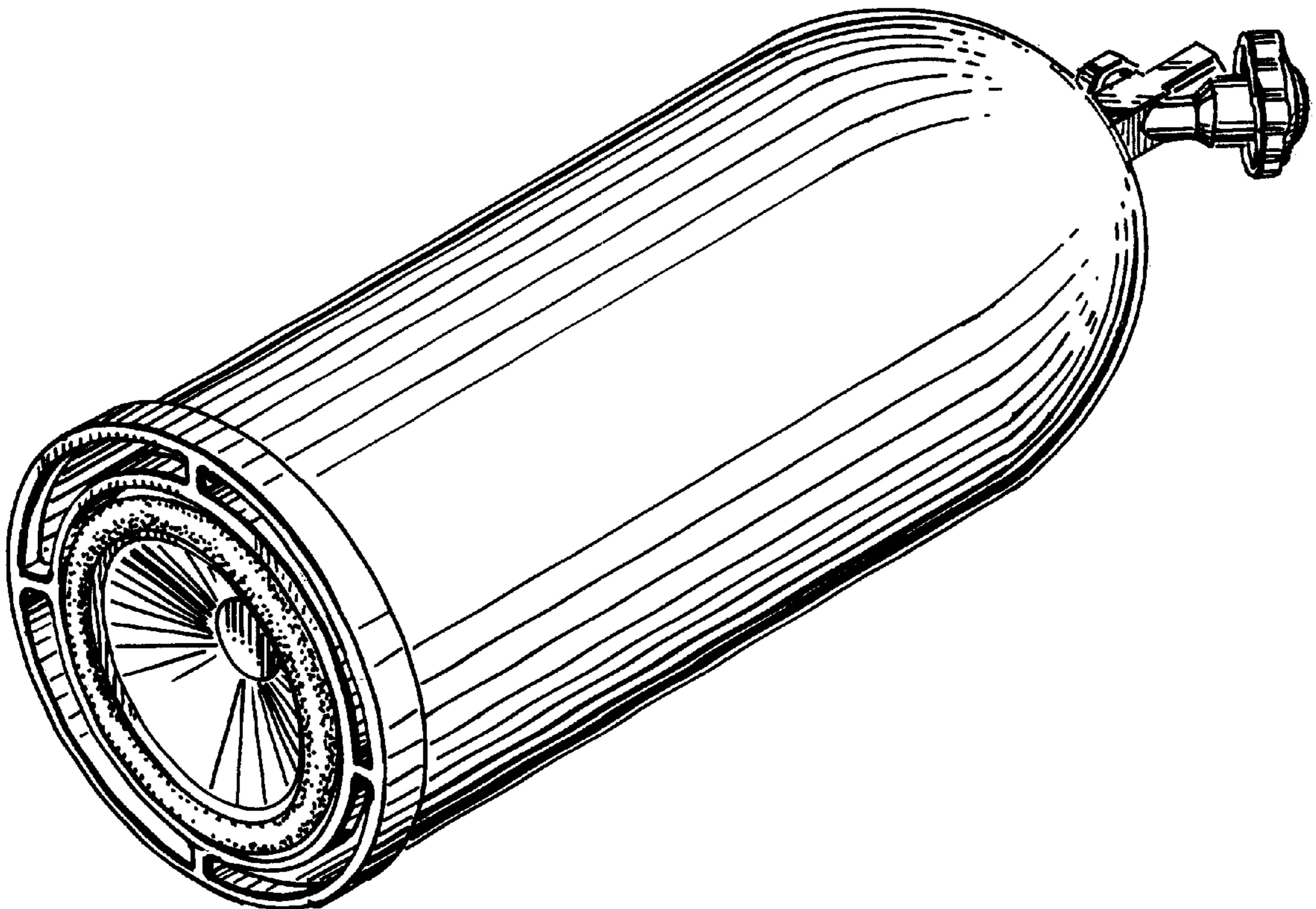
(57) **CLAIM**

The ornamental design for the audio speaker, as shown.

DESCRIPTION

FIG. 1 is a front view of the audio speaker of this invention.
FIG. 2 is a side view of the audio speaker of this invention.
FIG. 3 is a rear view of the audio speaker of this invention.
FIG. 4 is a side view of the opposite side audio speaker of
this invention as illustrated in FIG. 2.
FIG. 5 is a top view of the audio speaker of this invention.
FIG. 6 is a bottom view of the audio speaker of this
invention; and,
FIG. 7 is a perspective view of the audio speaker of this
invention.

1 Claim, 3 Drawing Sheets



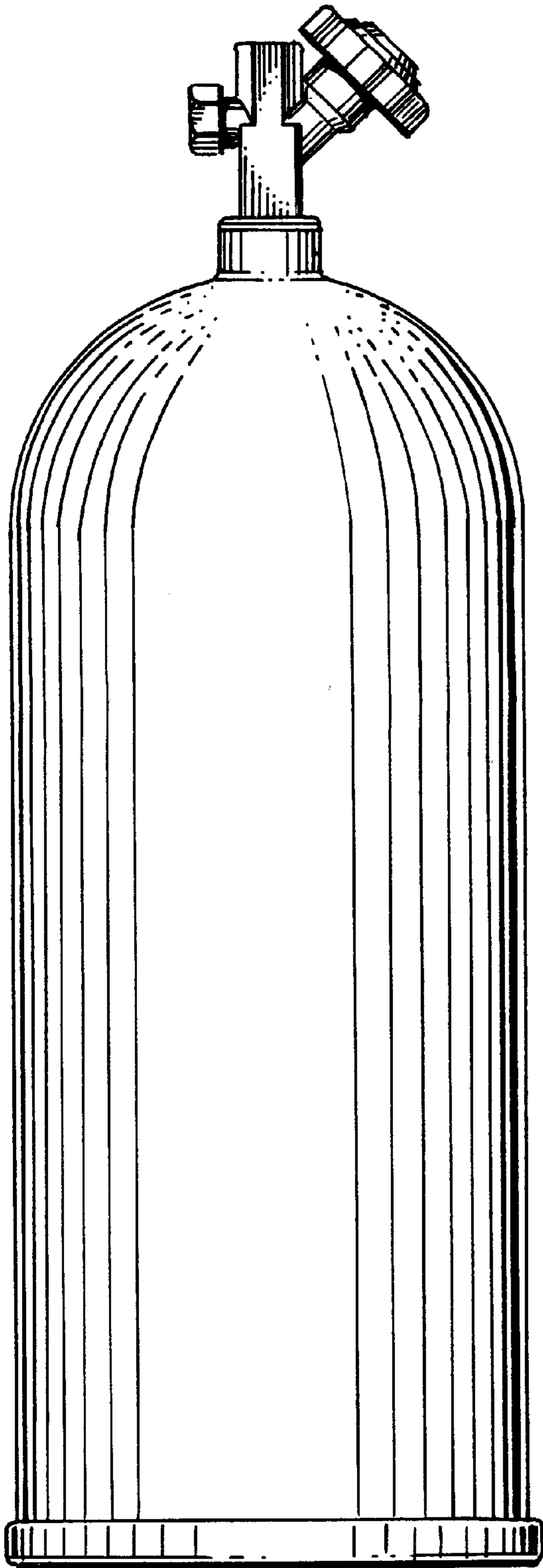


FIG. 1.

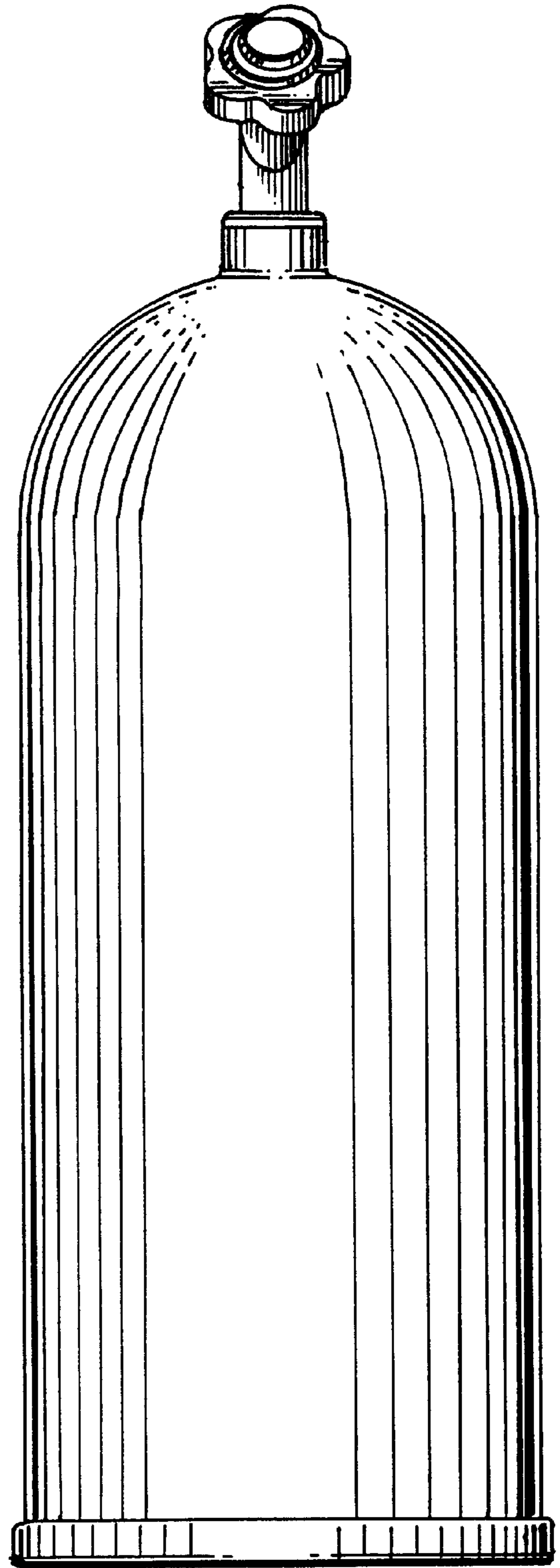


FIG. 2.

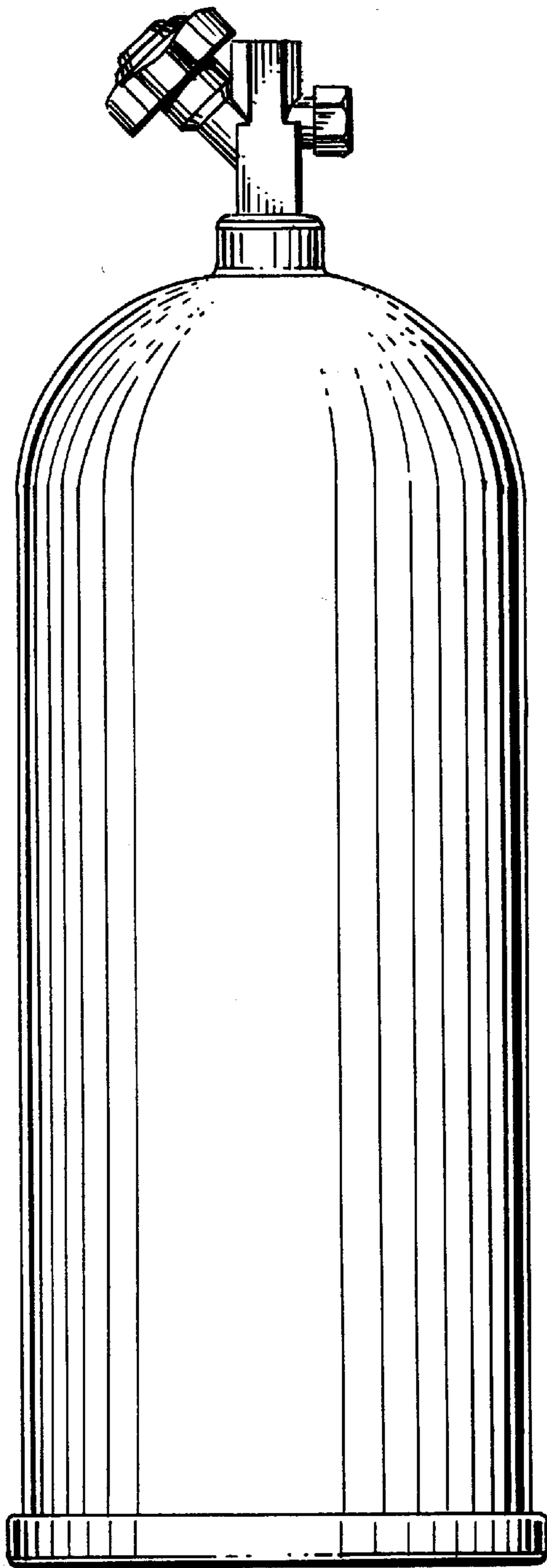


FIG. 3.

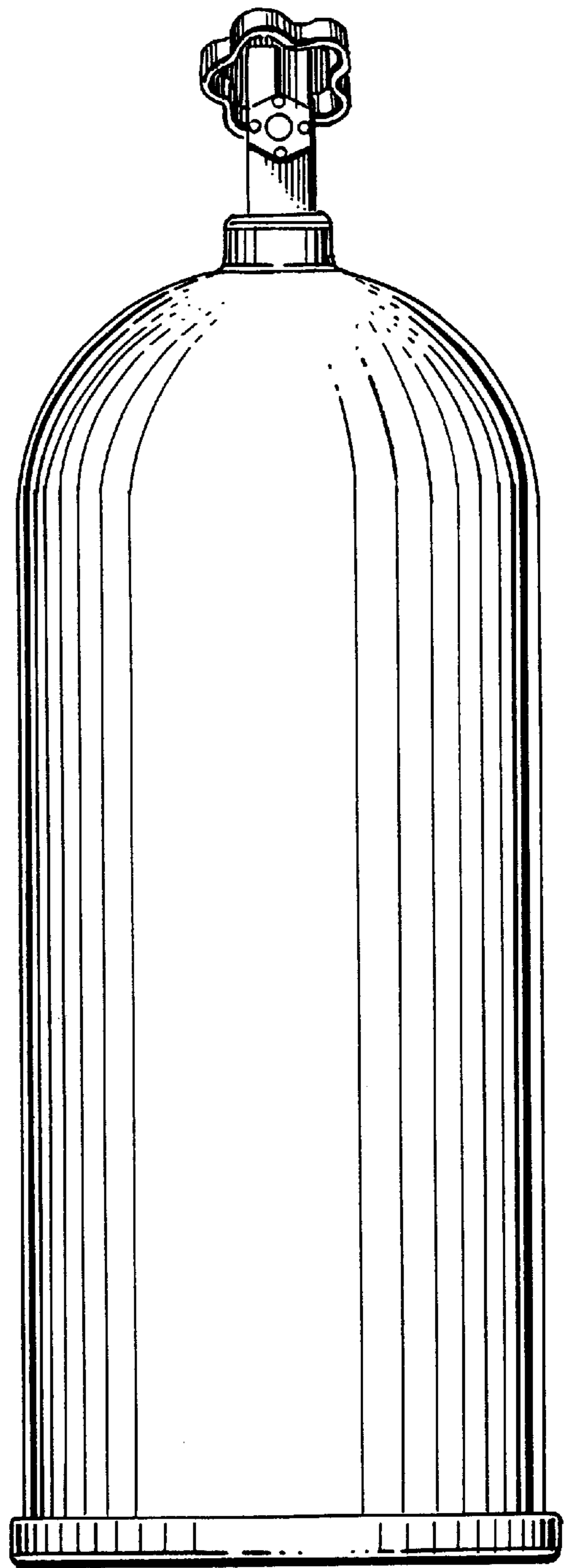


FIG. 4.

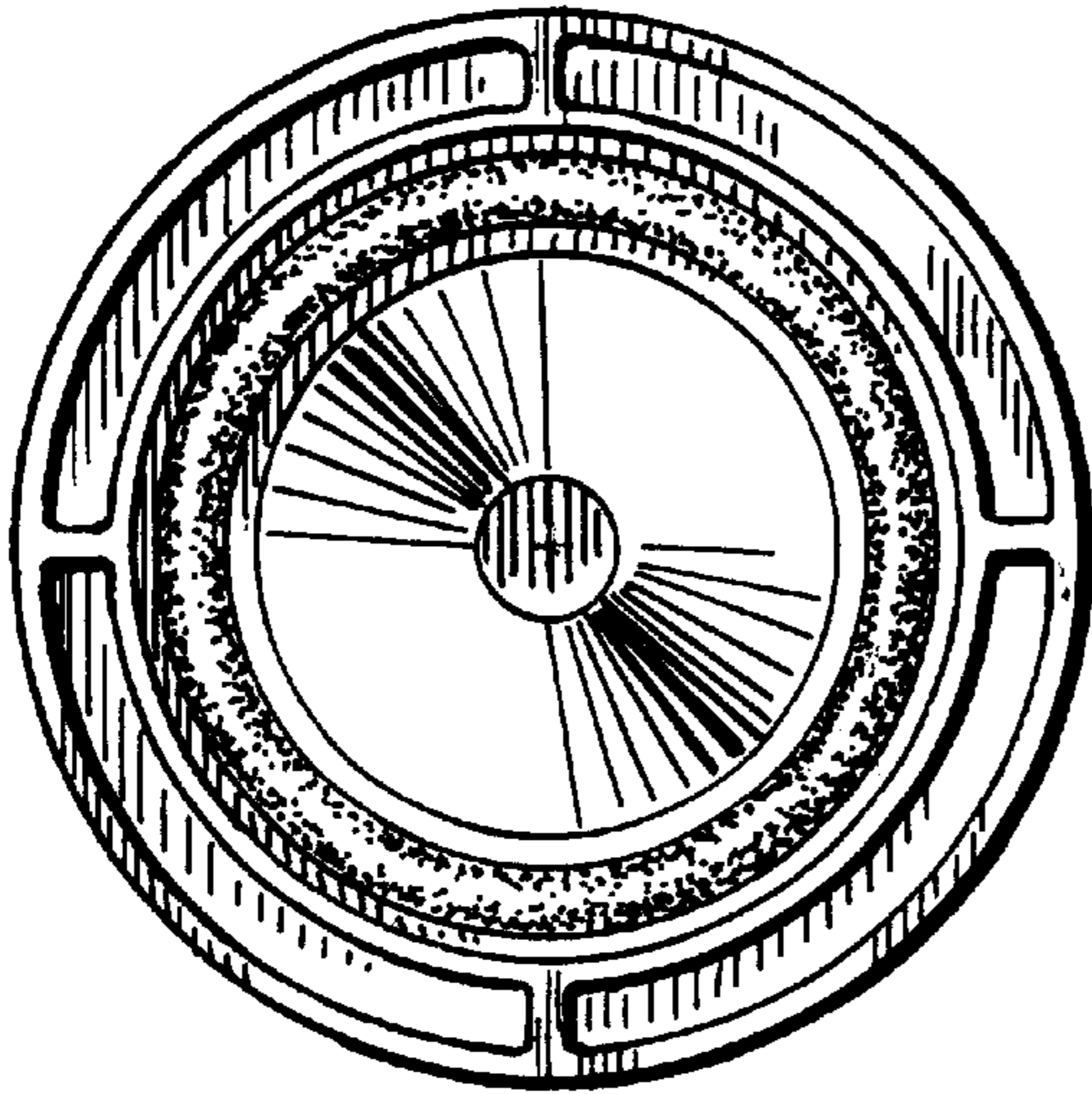


FIG. 5.

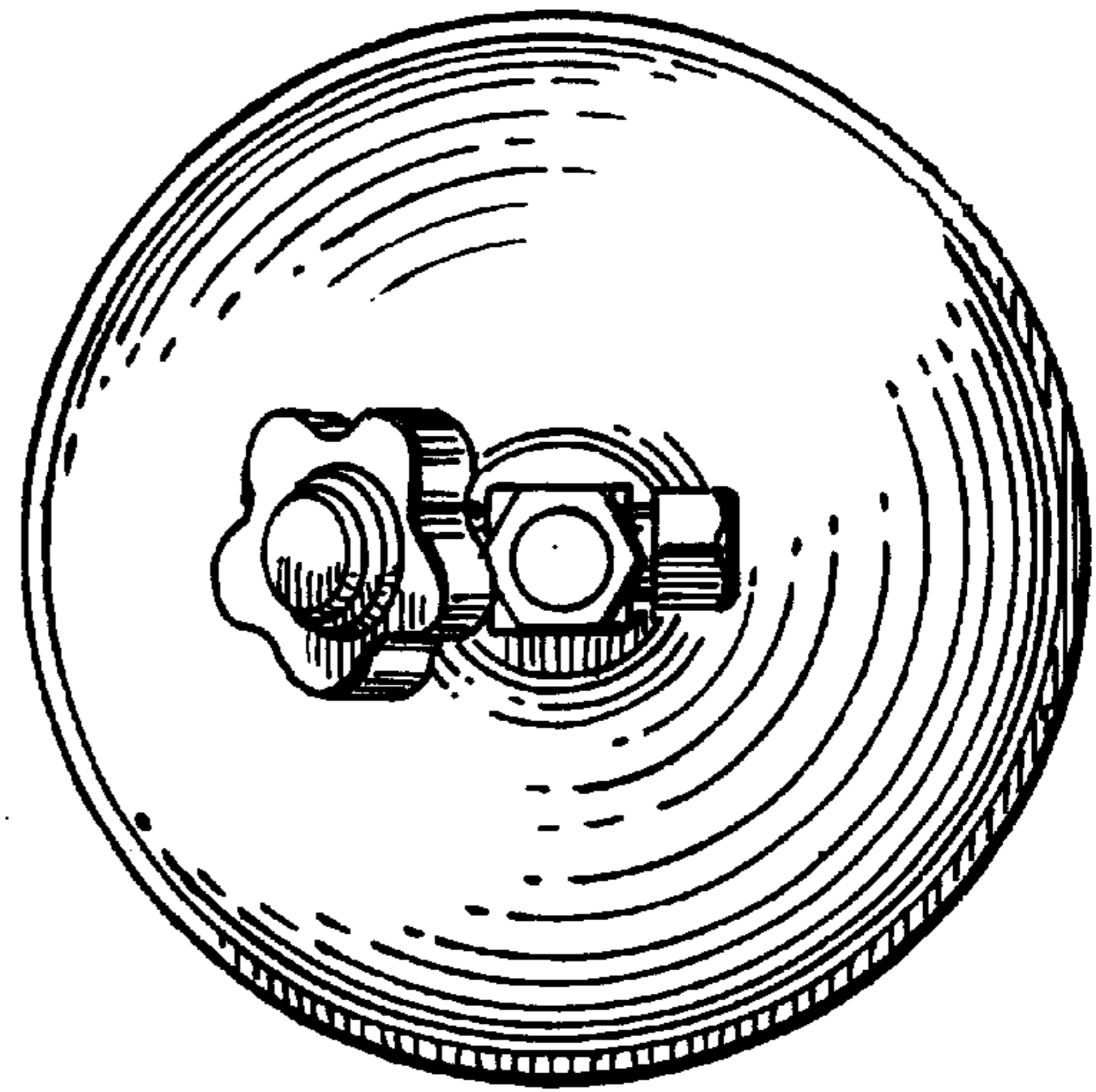


FIG. 6.

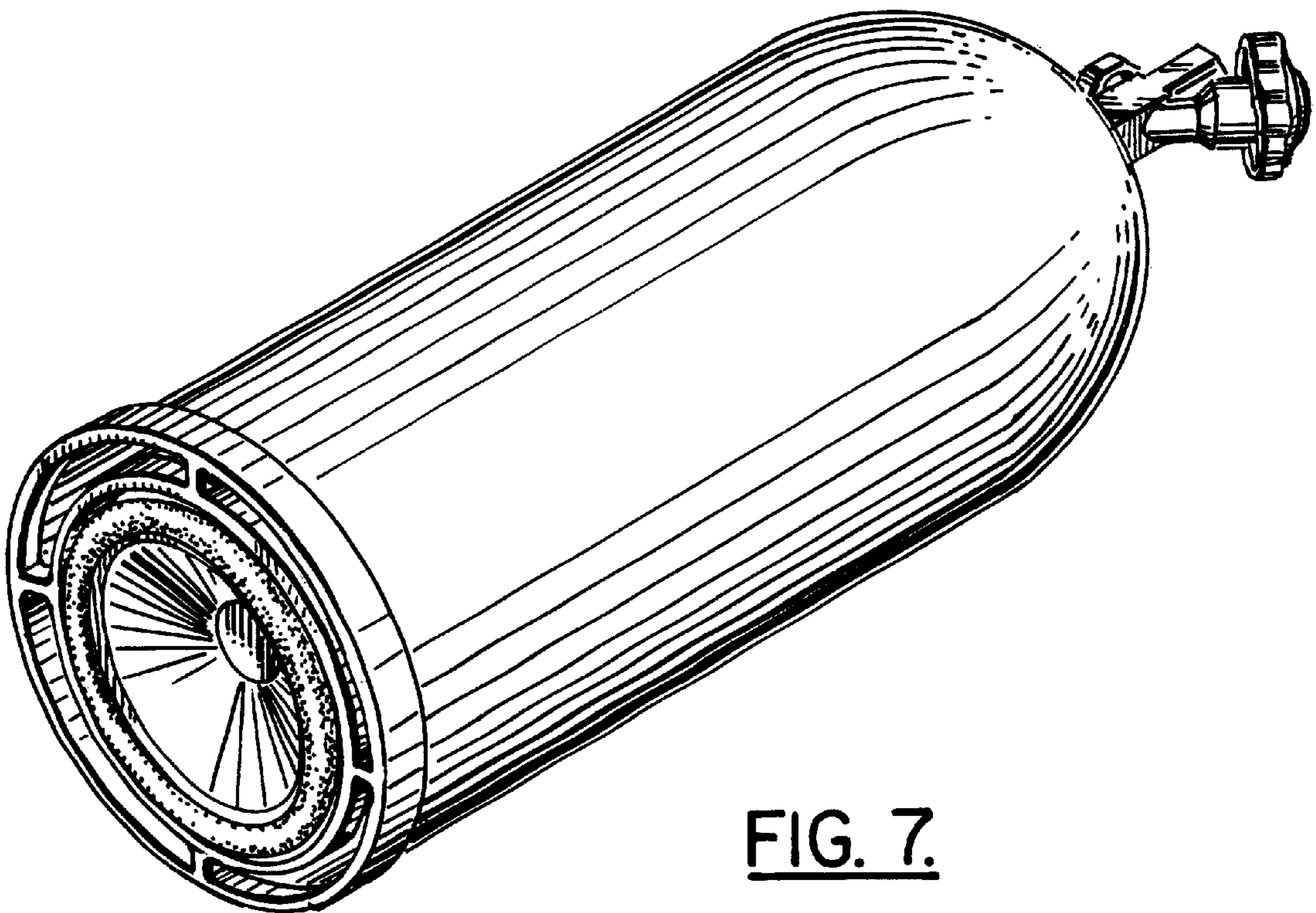


FIG. 7.