



US00D466102S

(12) **United States Design Patent**  
**Takeshi**

(10) **Patent No.:** **US D466,102 S**

(45) **Date of Patent:** **\*\* Nov. 26, 2002**

(54) **CARD TYPE SPEAKER**

D438,530 S \* 3/2001 Sawhney et al. .... D14/214

(75) Inventor: **Futoshi Takeshi**, Kanagawa (JP)

**OTHER PUBLICATIONS**

(73) Assignee: **Matsushita Electric Industrial Co., Ltd.**, Osaka (JP)

Nikkei BP Biz Tech, home page, May 10, 2000.  
Mainichi Interactive, home page, May 10, 2000.  
Dempa Shimbun (newspaper), May 11, 2000.

(\*\*) Term: **14 Years**

\* cited by examiner

(21) Appl. No.: **29/141,511**

*Primary Examiner*—Nanda Bondade

(22) Filed: **May 7, 2001**

(74) *Attorney, Agent, or Firm*—Christensen O'Connor Johnson Kindness PLLC

(51) **LOC (7) Cl.** ..... **14-01**

(52) **U.S. Cl.** ..... **D14/204**

(58) **Field of Search** ..... D14/204, 207–216,  
D14/389, 434–436, 483; 181/144–145,  
147–148, 140, 152, 157, 198–199; 381/300–302,  
307, 359, 361–364, 386; 361/748–753,  
756–757

(57) **CLAIM**

The ornamental design for a card type speaker, as shown and described.

(56) **References Cited**

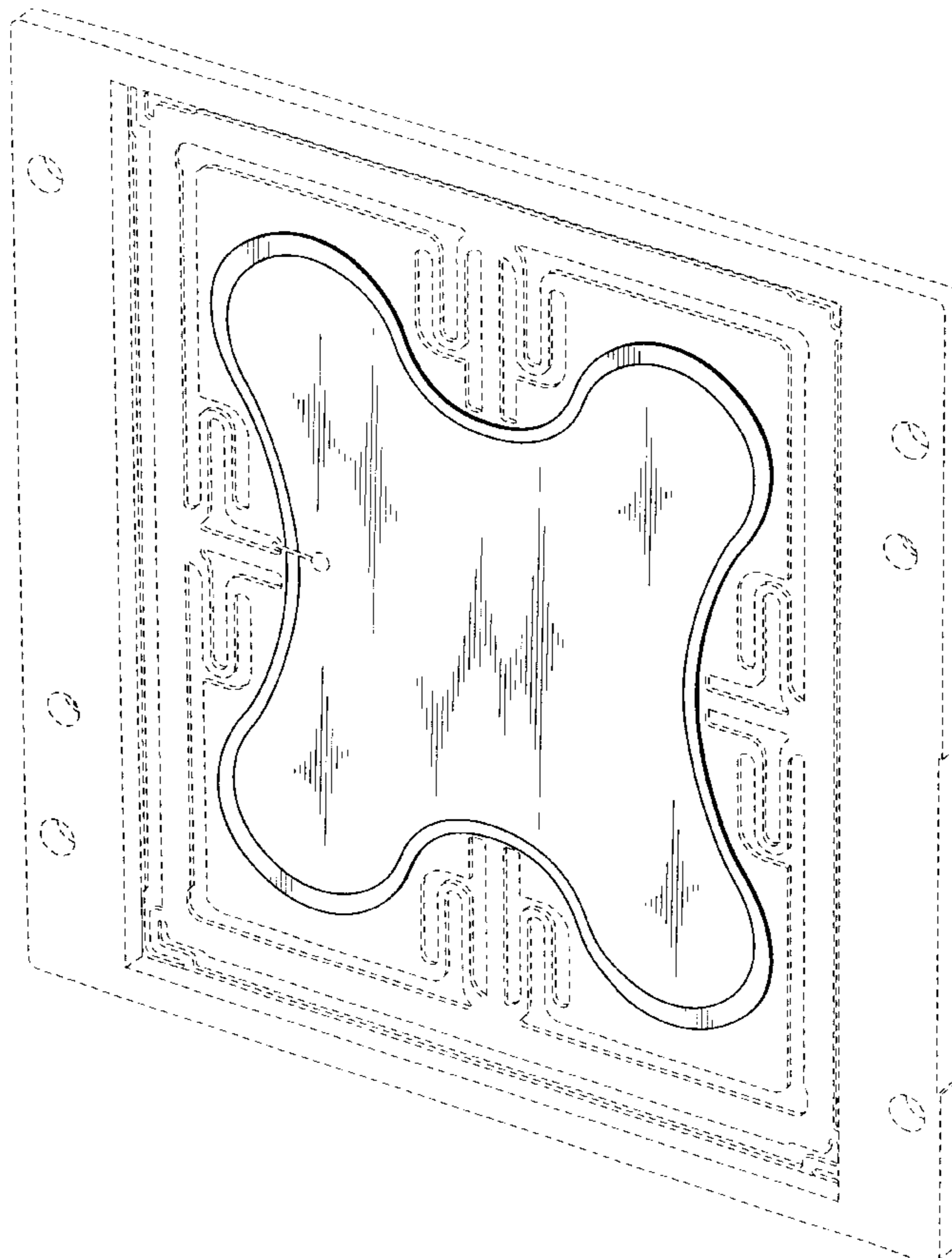
**DESCRIPTION**

**U.S. PATENT DOCUMENTS**

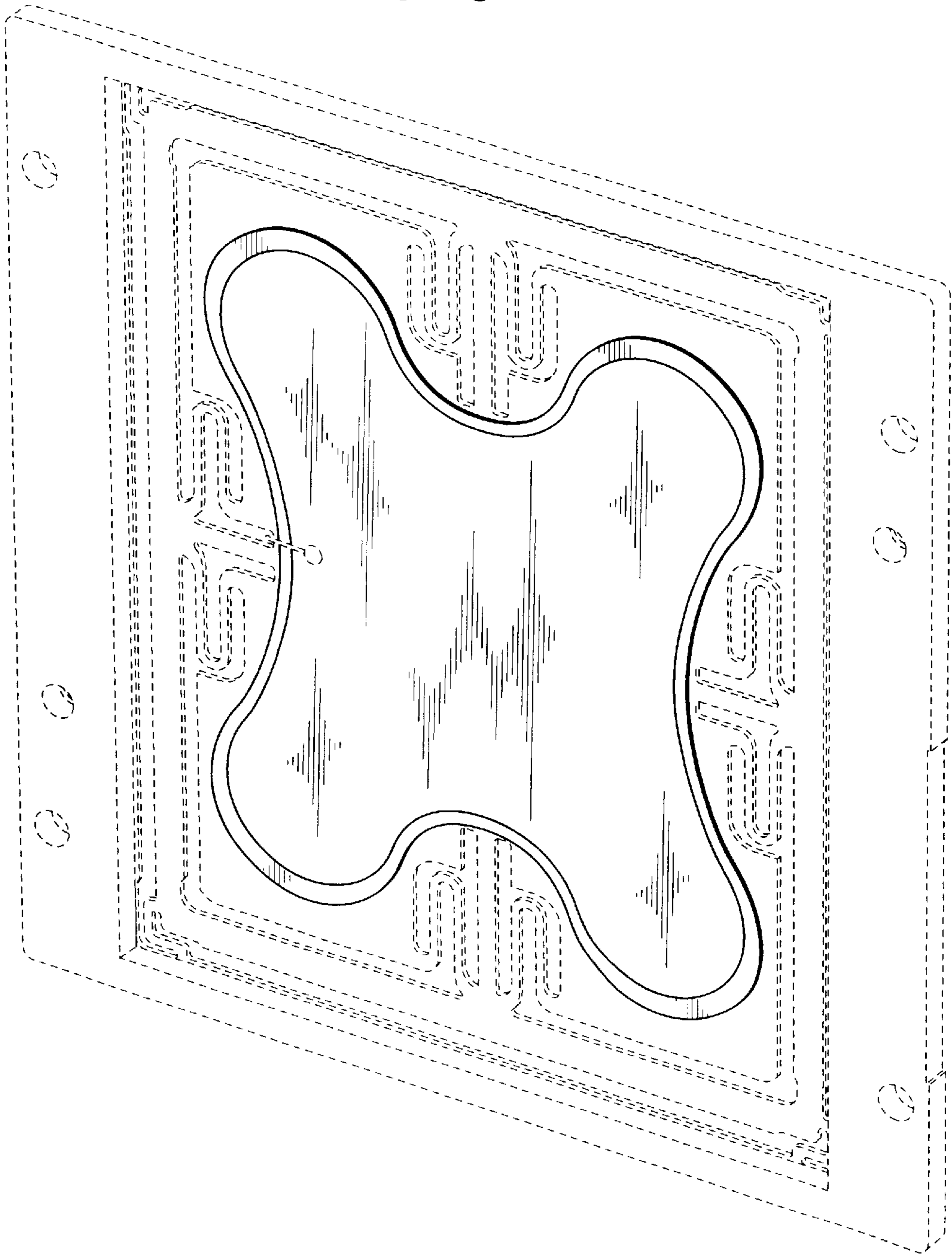
D321,196 S	*	10/1991	Yamamoto	.....	D14/214
D351,829 S	*	10/1994	Maines	.....	D14/483
D364,861 S	*	12/1995	Luong	.....	D14/436
D400,523 S	*	11/1998	Tatenuma	.....	D14/483
D425,897 S	*	5/2000	Cho	.....	D14/214
D430,141 S	*	8/2000	Liu	.....	D14/215

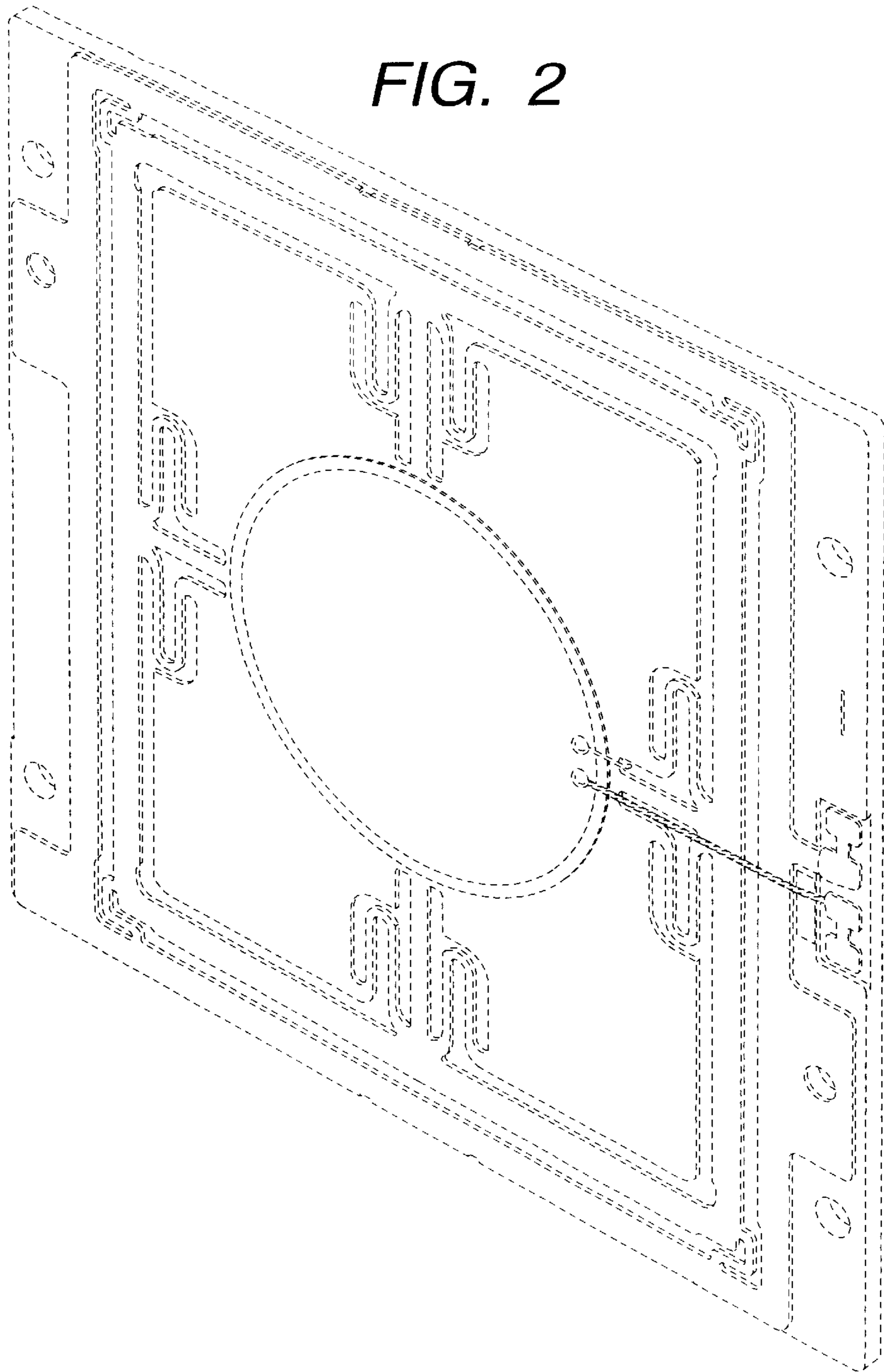
FIG. 1 is a perspective view of the top, front and right side of a card type speaker showing my new design;  
FIG. 2 is a perspective view of the top, rear and left side thereof;  
FIG. 3 is a top plan view thereof; and,  
FIG. 4 is a front view thereof.  
The broken line showing on FIGS. 1–4 is for illustrative purposes only and forms no part of the claimed design.

**1 Claim, 3 Drawing Sheets**

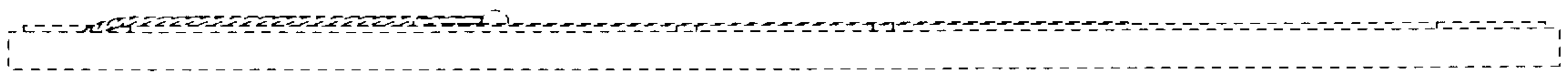


*FIG. 1*





*FIG. 2*



*FIG. 3*

FIG. 4

