



US00D466098S

(12) **United States Design Patent**  
**Du et al.**

(10) **Patent No.:** **US D466,098 S**

(45) **Date of Patent:** **\*\* Nov. 26, 2002**

(54) **DISC PLAYER**

(75) Inventors: **Howard Du**, New York, NY (US);  
**Karl Alverson**, Hoboken, NJ (US)

(73) Assignee: **MultiSen Technology, Inc.**, New York,  
NY (US)

(\*\*) Term: **14 Years**

(21) Appl. No.: **29/131,094**

(22) Filed: **Oct. 13, 2000**

(51) **LOC (7) Cl.** ..... **14-01**

(52) **U.S. Cl.** ..... **D14/156**

(58) **Field of Search** ..... D14/135, 136,  
D14/156, 157, 160, 167, 168; 369/75.1,  
75.2, 77.1, 77.2

5,963,302 A	10/1999	Wittek
5,972,290 A	10/1999	De Sousa
D416,897 S	11/1999	Ishii et al.
6,004,516 A	12/1999	Rasouli et al.
6,025,902 A	2/2000	Wittek
6,041,023 A	3/2000	Lakhansingh
6,044,202 A	3/2000	Junkel
6,069,851 A	5/2000	Fenner
D427,988 S	7/2000	Haney
D430,444 S	9/2000	Allsop et al.
D431,543 S	10/2000	Yuyama

\* cited by examiner

*Primary Examiner*—Nanda Bondade

(74) *Attorney, Agent, or Firm*—David M. O'Neill

(57) **CLAIM**

The ornamental design for a disc player, as shown and described.

(56) **References Cited**

**U.S. PATENT DOCUMENTS**

4,603,030 A	7/1986	McCarthy	
4,629,604 A	12/1986	Spector	
D313,018 S	12/1990	Funabashi	
5,023,020 A	6/1991	Machida et al.	
5,071,621 A	12/1991	Tokuhiro et al.	
5,175,791 A	12/1992	Muderlak et al.	
D338,204 S	8/1993	Takao	
5,314,669 A	5/1994	Hamilton	
D349,496 S	* 8/1994	Sato	D14/156
5,460,787 A	10/1995	Colon	
5,480,591 A	1/1996	Lagneaux et al.	
5,484,472 A	1/1996	Weinberg	
5,590,769 A	1/1997	Lin	
5,805,768 A	9/1998	Schwartz et al.	
D399,202 S	10/1998	Kanatani	
D405,082 S	2/1999	Shibata	
5,887,118 A	3/1999	Huffman et al.	
D408,408 S	* 4/1999	Ito et al.	D14/156
D413,887 S	9/1999	Renk	

**DESCRIPTION**

FIG. 1 is a top view of a disc player showing our new design; FIG. 2 is a top view thereof, with the disc cover extended about half-way; FIG. 3 is a top view thereof, with the disc cover nearly completely retracted; FIG. 4 is a side view of FIG. 1; FIG. 5 is a front view thereof, with the disc cover fully retracted; FIG. 6 is a front perspective view, with the disc cover nearly completely retracted; FIG. 7 is another front perspective view thereof; FIG. 8 is a side perspective view of FIG. 1; and, FIG. 9 is a bottom view thereof.

The broken line showing of the disc in FIGS. 2-3 and 7 is for illustrative purposes only and forms no part of the claimed design.

**1 Claim, 9 Drawing Sheets**

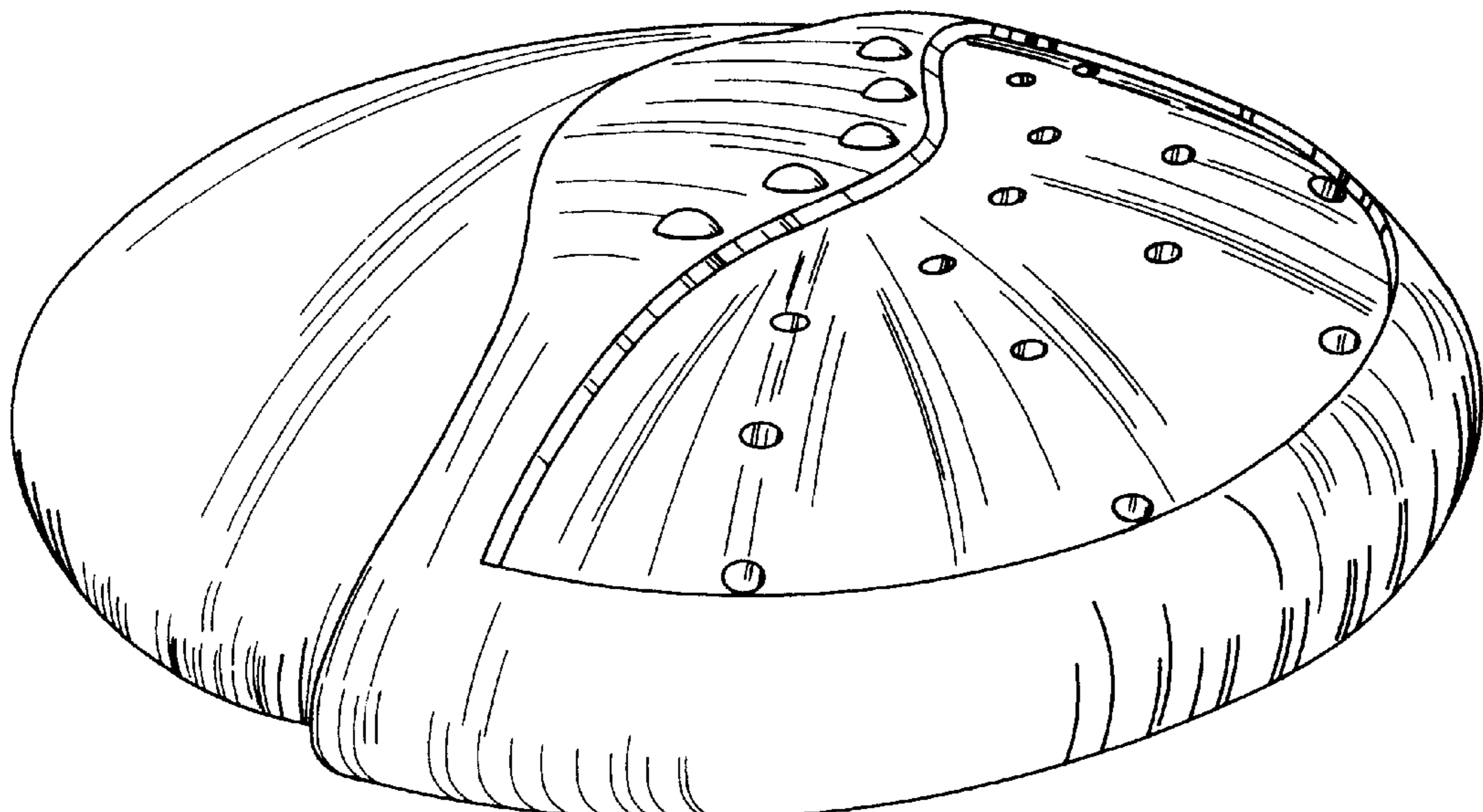


FIG. 1

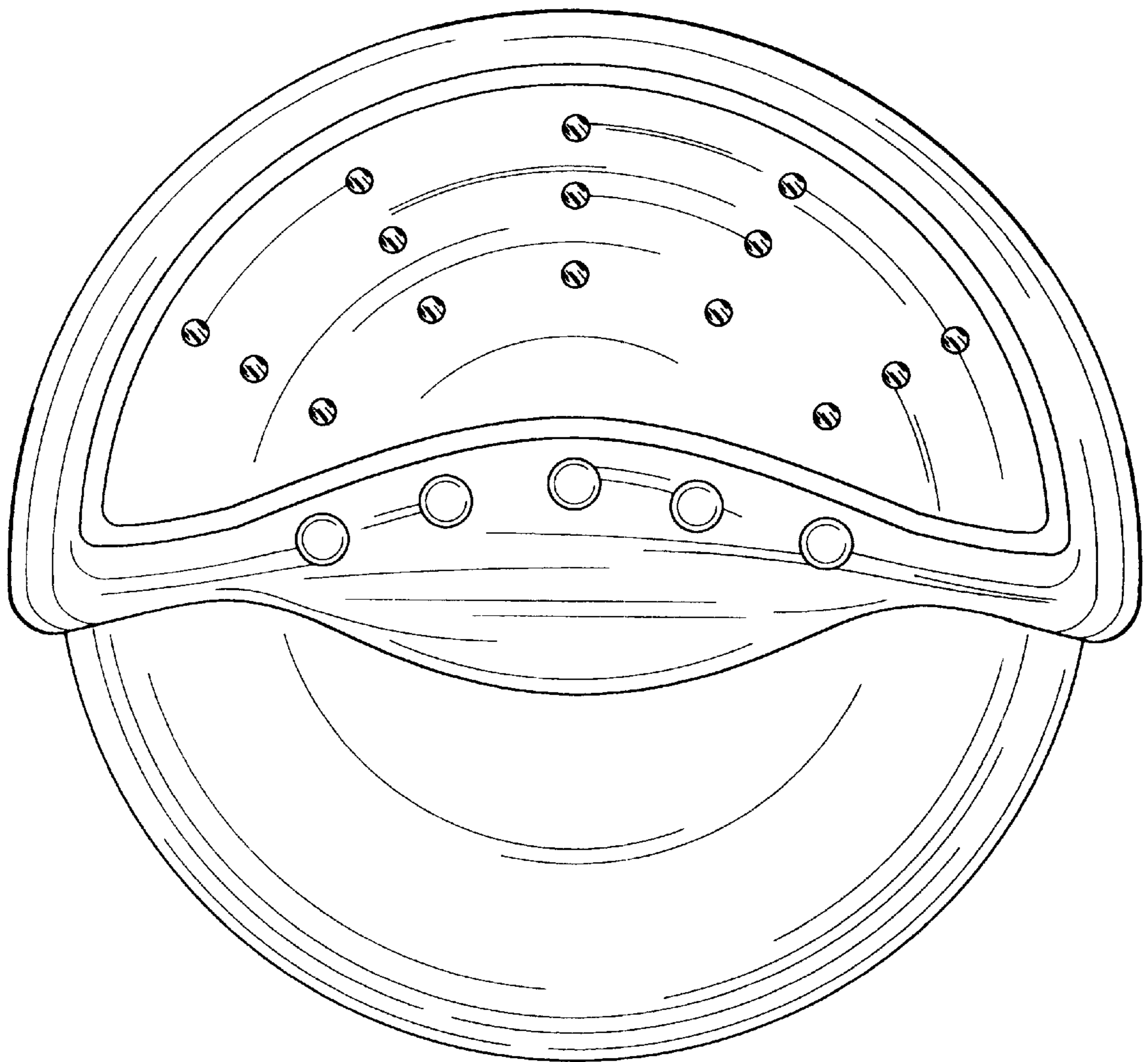


FIG. 2

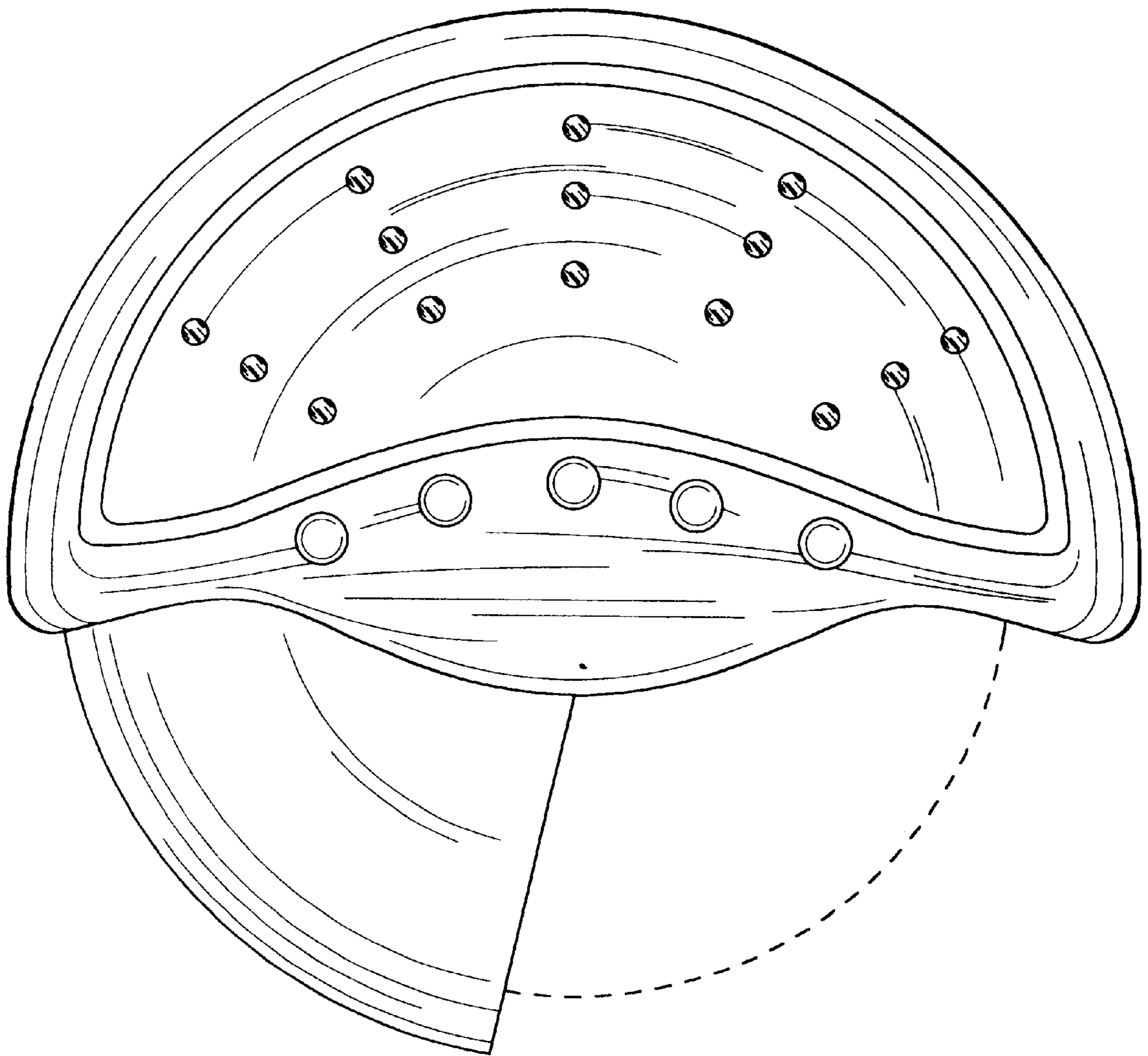


FIG. 3

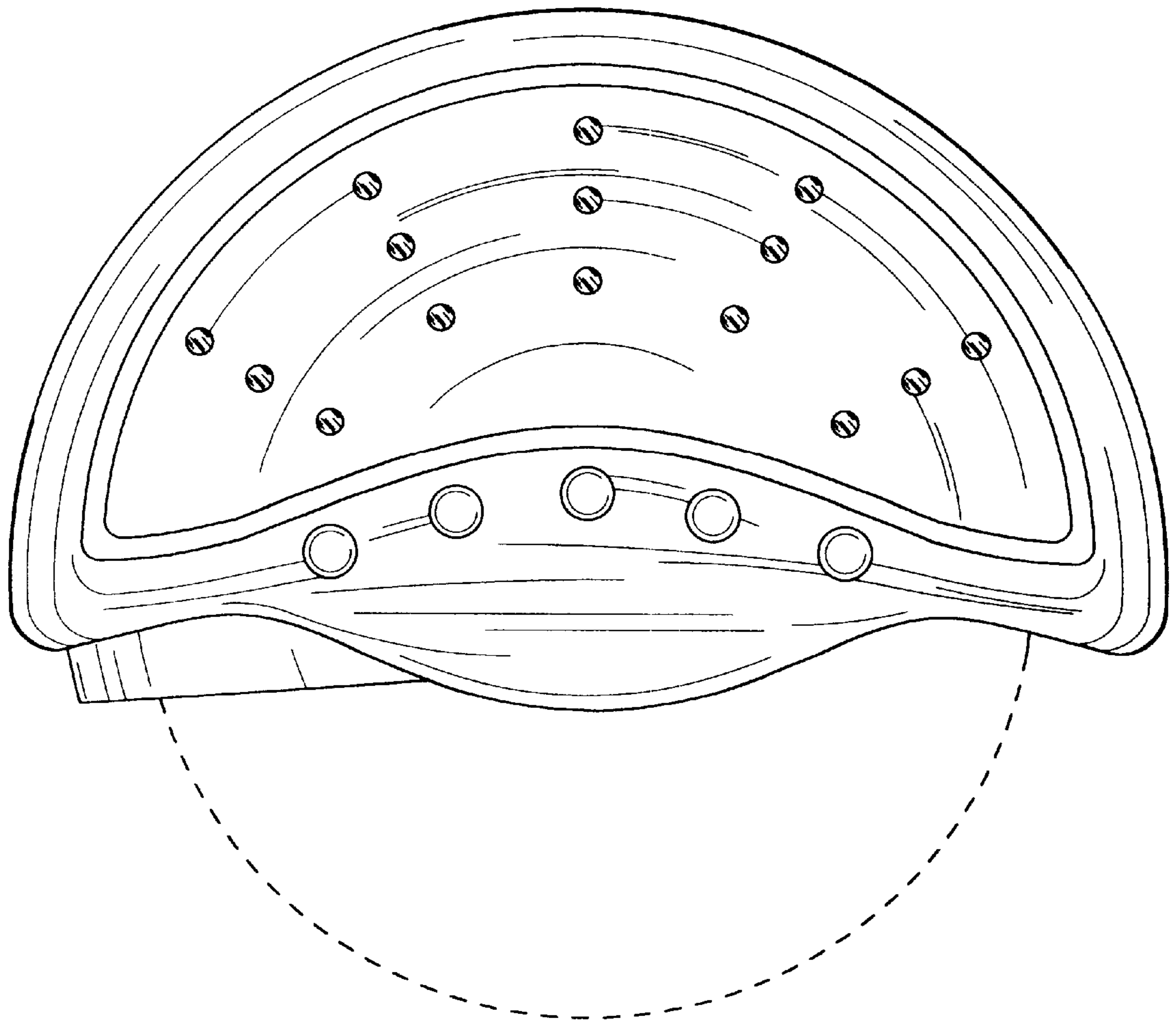


FIG. 4

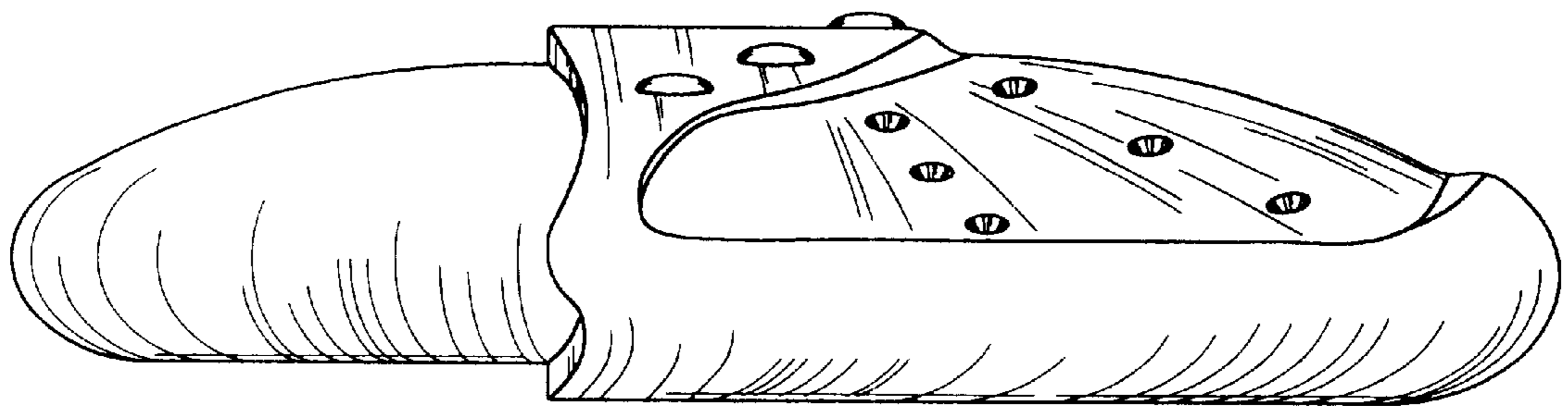


FIG. 5

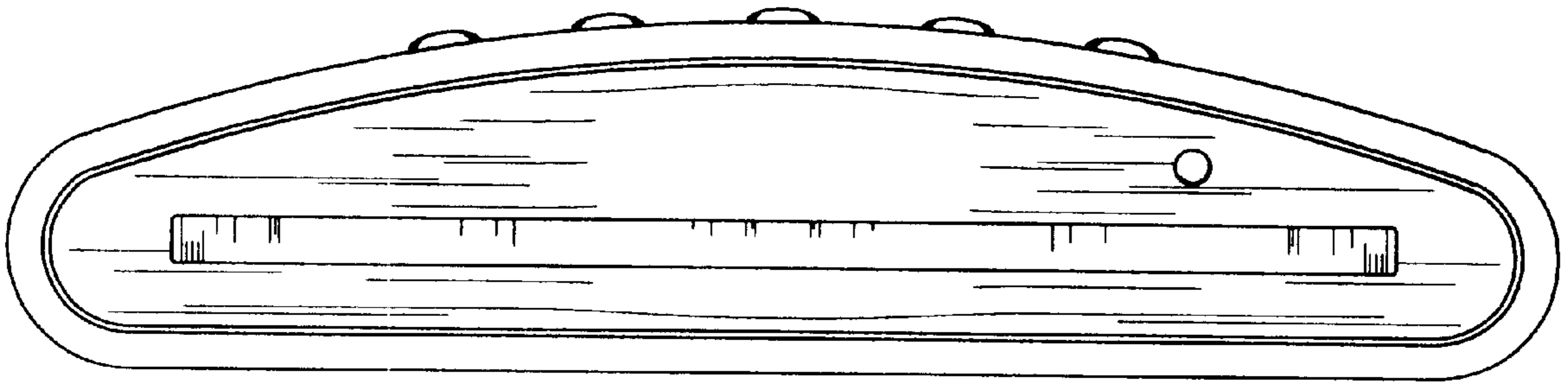


FIG. 6

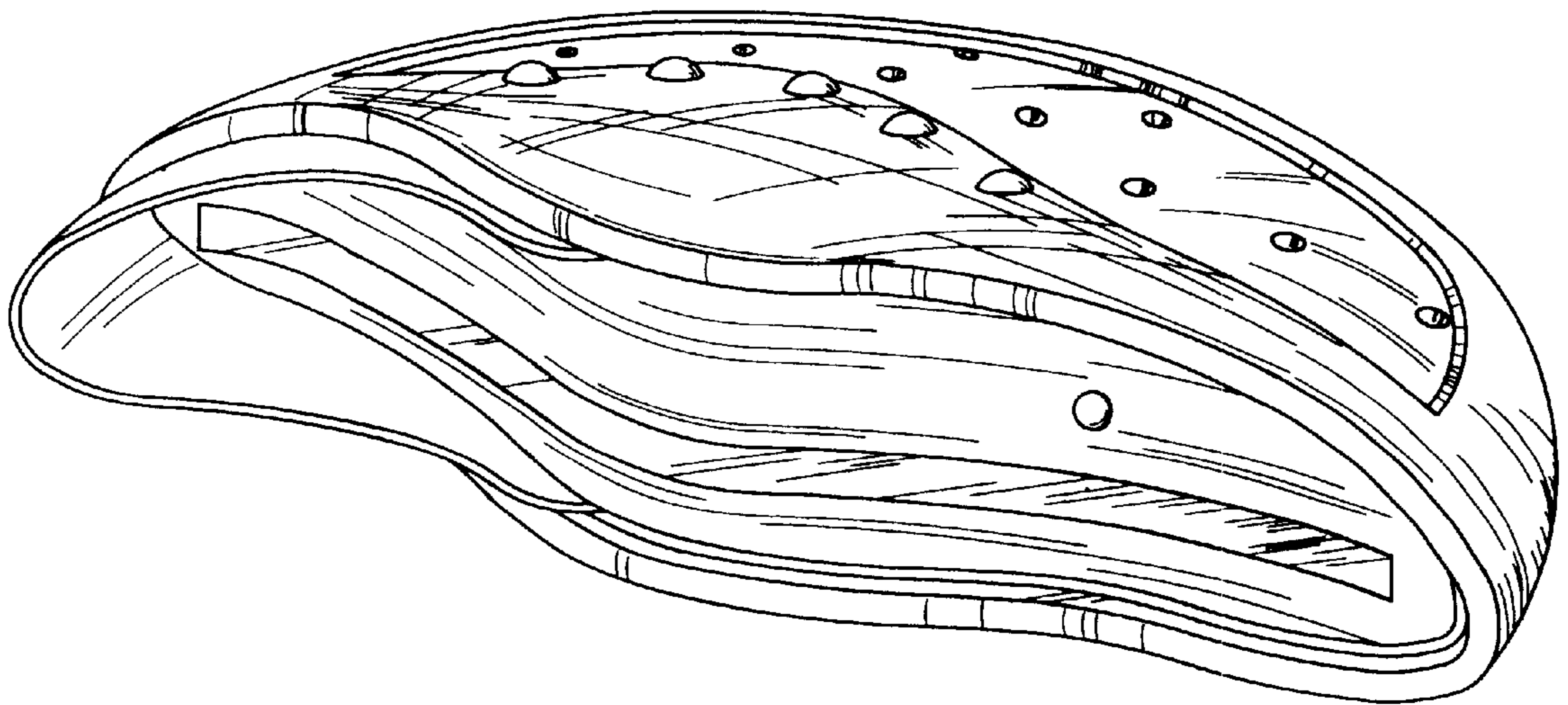


FIG. 7

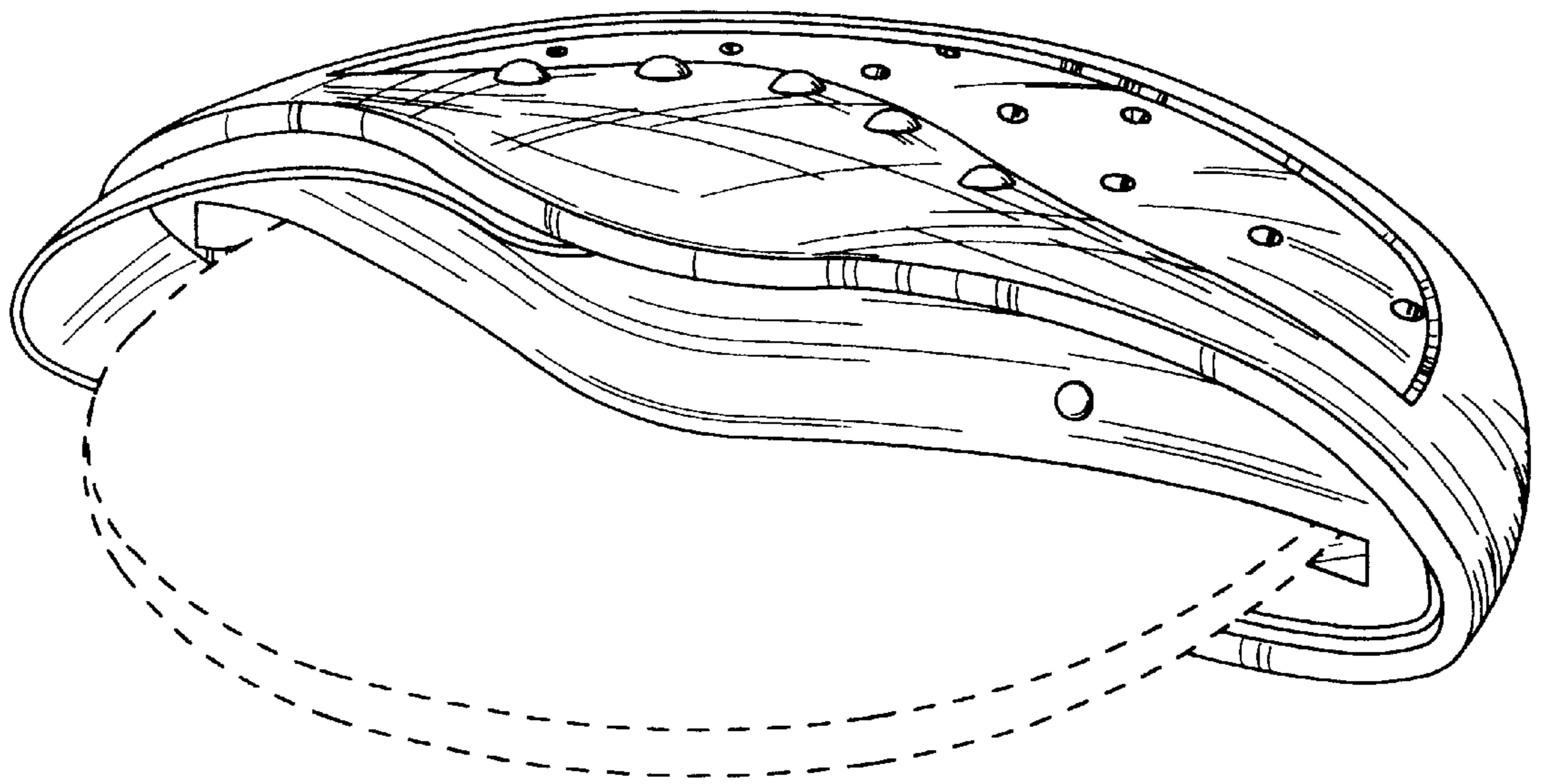




FIG. 8

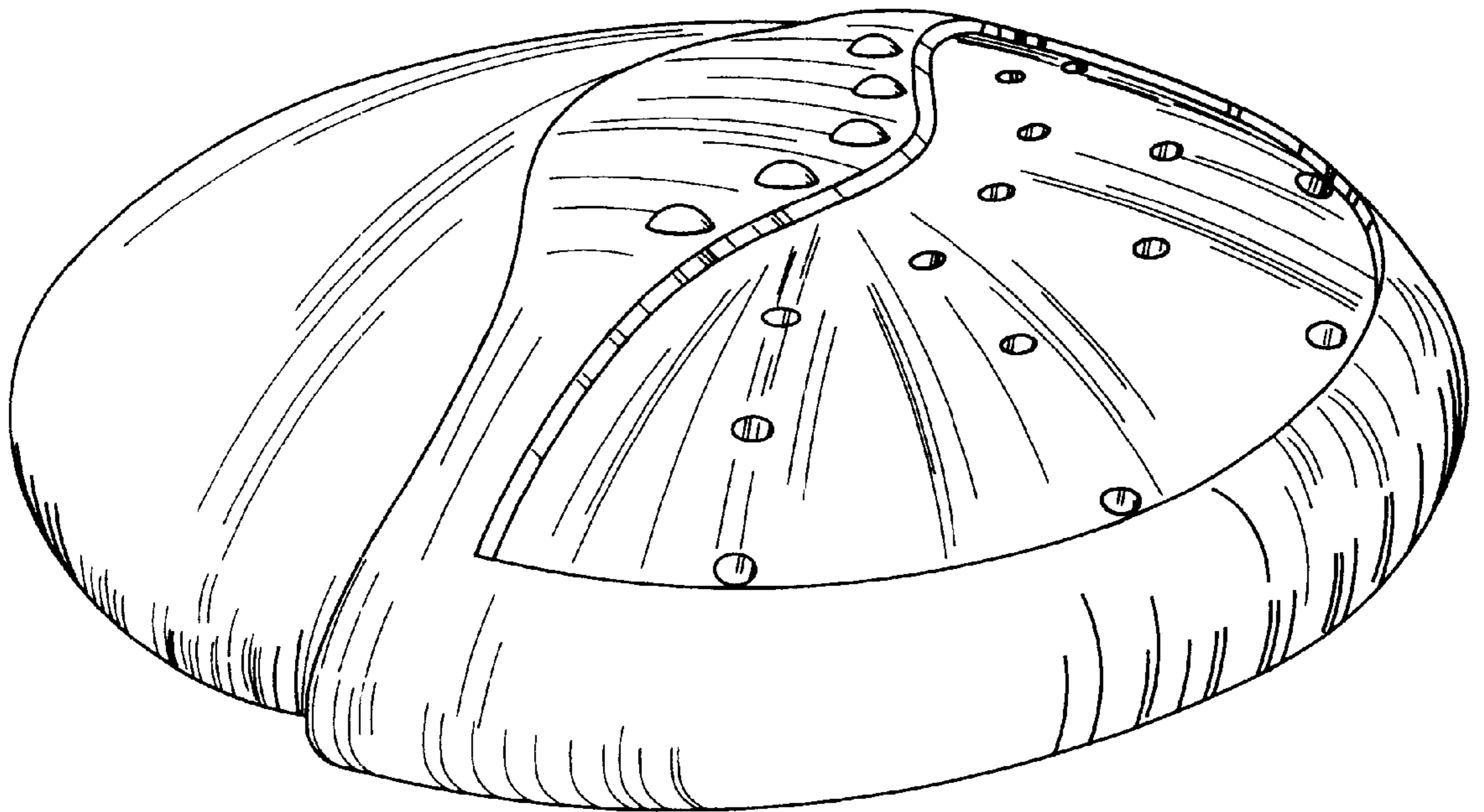


FIG. 9

