



US00D466097S

(12) **United States Design Patent**
Geert

(10) **Patent No.:** **US D466,097 S**

(45) **Date of Patent:** **** Nov. 26, 2002**

(54) **TELEPHONE**

(75) Inventor: **Anders Geert, Arhus C (DK)**

(73) Assignee: **Bang & Olufsen A/S, Struer (DK)**

(**) Term: **14 Years**

(21) Appl. No.: **29/125,892**

(22) Filed: **Jun. 30, 2000**

(30) **Foreign Application Priority Data**

Jan. 25, 2000 (DK) MA 2000 00055

(51) **LOC (7) Cl.** **14-03**

(52) **U.S. Cl.** **D14/151**

(58) **Field of Search** D14/137, 329,
D14/138, 330, 148, 147, 149-151, 140-142,
240, 241, 130; 379/433-436, 419, 420,
428, 440

(56) **References Cited**

U.S. PATENT DOCUMENTS

D305,537 S	*	1/1990	Gilmore et al.	D14/101
D307,428 S	*	4/1990	Pfeifer et al.	D14/151
D307,903 S	*	5/1990	Davey	D14/149
D320,392 S	*	10/1991	Wetzell	D14/151
D325,381 S	*	4/1992	Dennis et al.	D14/151
D327,060 S	*	6/1992	Wachob et al.	D14/138
D348,062 S	*	6/1994	Iseli et al.	D14/149
D354,954 S	*	1/1995	Naito et al.	D14/130

D359,491 S	*	6/1995	Iseli	D14/151
D365,560 S	*	12/1995	Buchin	D14/151
D369,163 S	*	4/1996	Leung et al.	D14/150
D393,464 S	*	4/1998	Groenendijk	D14/151
D418,488 S	*	1/2000	Ng et al.	D14/101
D427,985 S	*	7/2000	Takayama et al.	D14/151
D431,031 S	*	9/2000	Garcia Gutierrez	D14/151
D434,399 S	*	11/2000	Lanet	D14/130
D439,234 S	*	3/2001	Narrillos Hortiguela ...	D14/151

OTHER PUBLICATIONS

Spring 200 Hello Direct, p. 42, Panasonic telephone at top center.*

* cited by examiner

Primary Examiner—Jeffrey Asch

(74) *Attorney, Agent, or Firm*—Darby & Darby

(57) **CLAIM**

The ornamental design for a telephone, as shown.

DESCRIPTION

FIG. 1 is a perspective view of a telephone in accordance with my inventive design;
FIG. 2 is a front view thereof;
FIG. 3 is a rear view thereof;
FIG. 4 is right-side view thereof;
FIG. 5 is left-side view thereof;
FIG. 6 is a top view thereof; and,
FIG. 7 is a bottom view thereof.

1 Claim, 4 Drawing Sheets

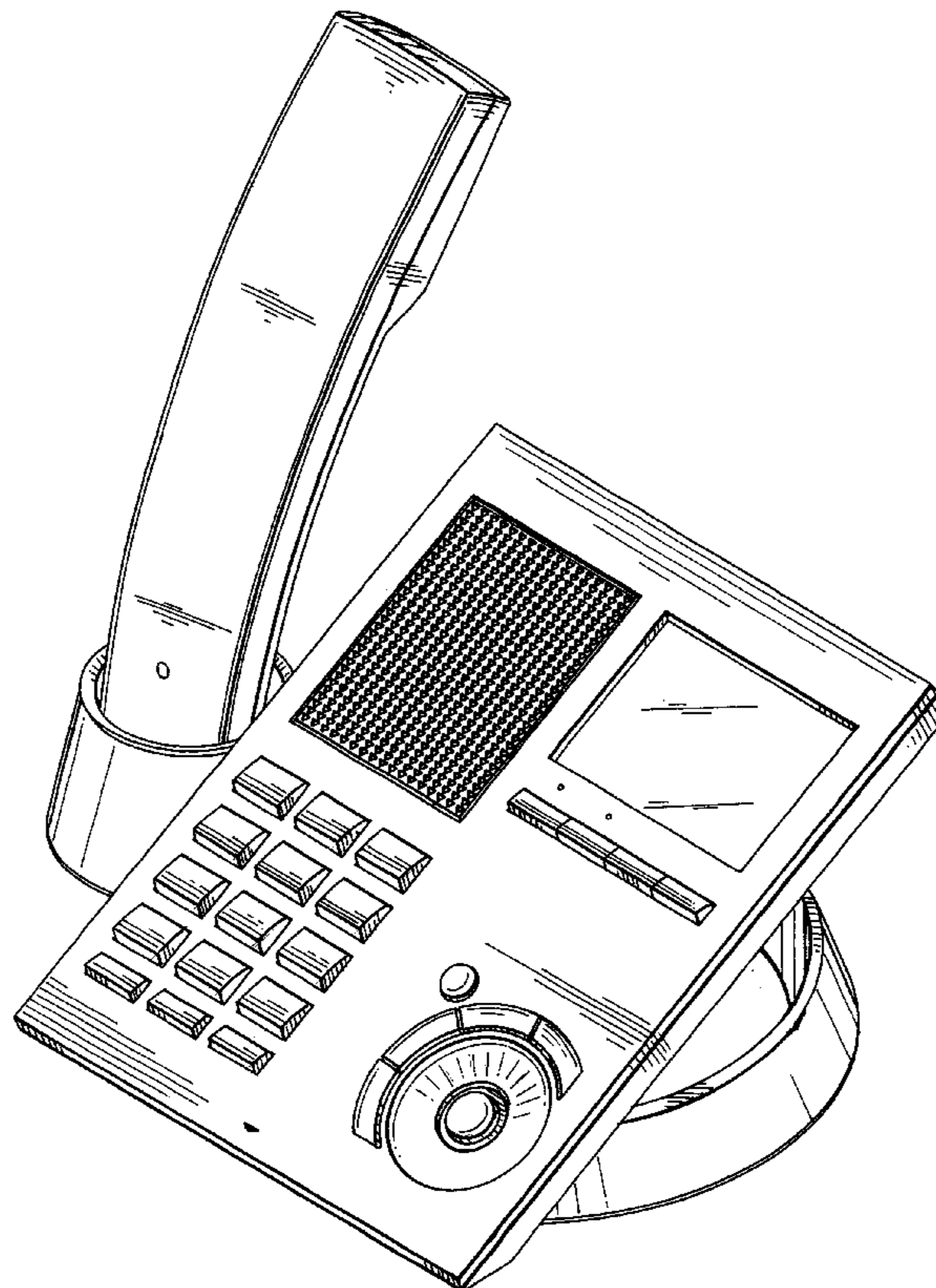


FIG. 1



FIG. 2

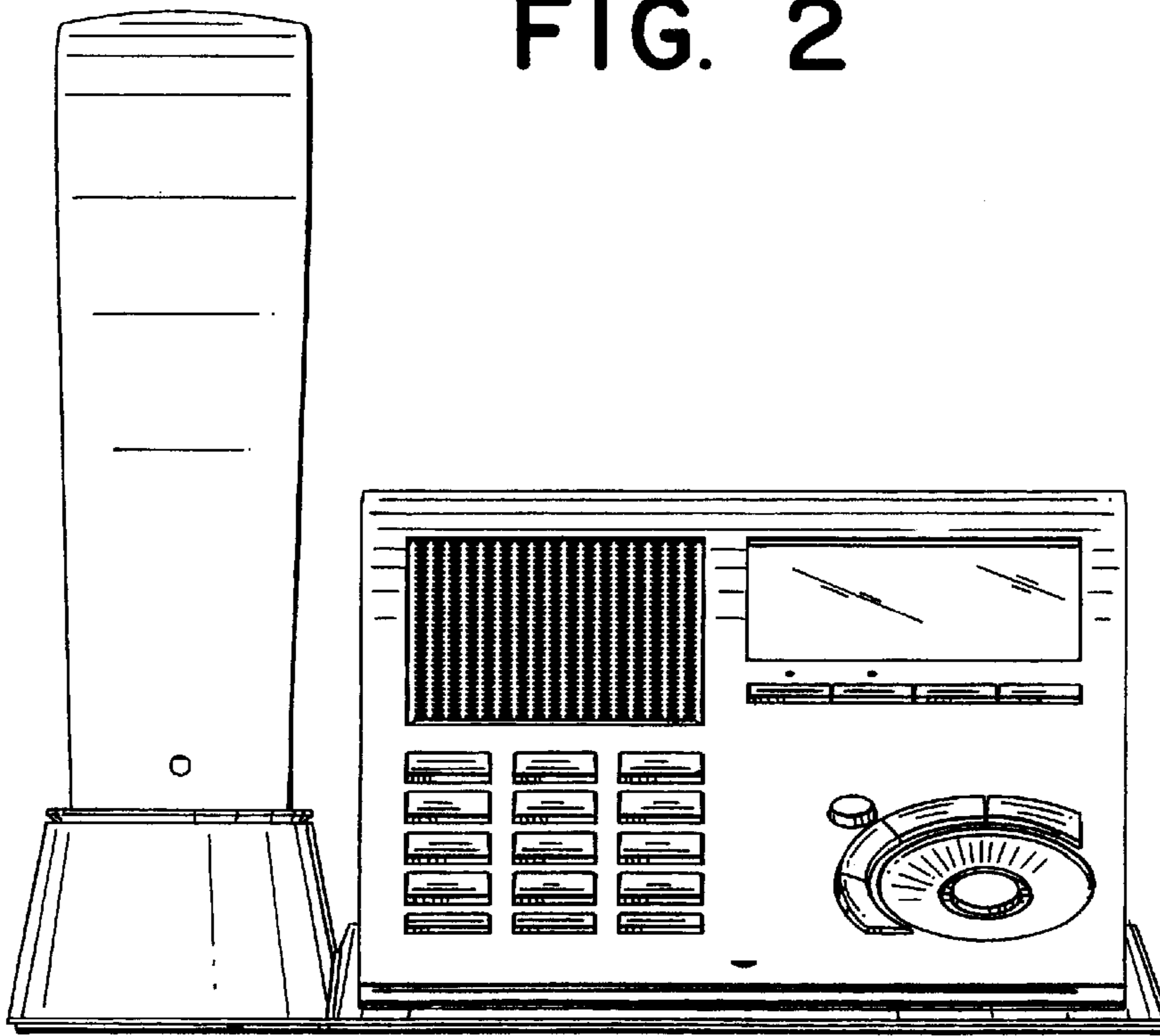


FIG. 3

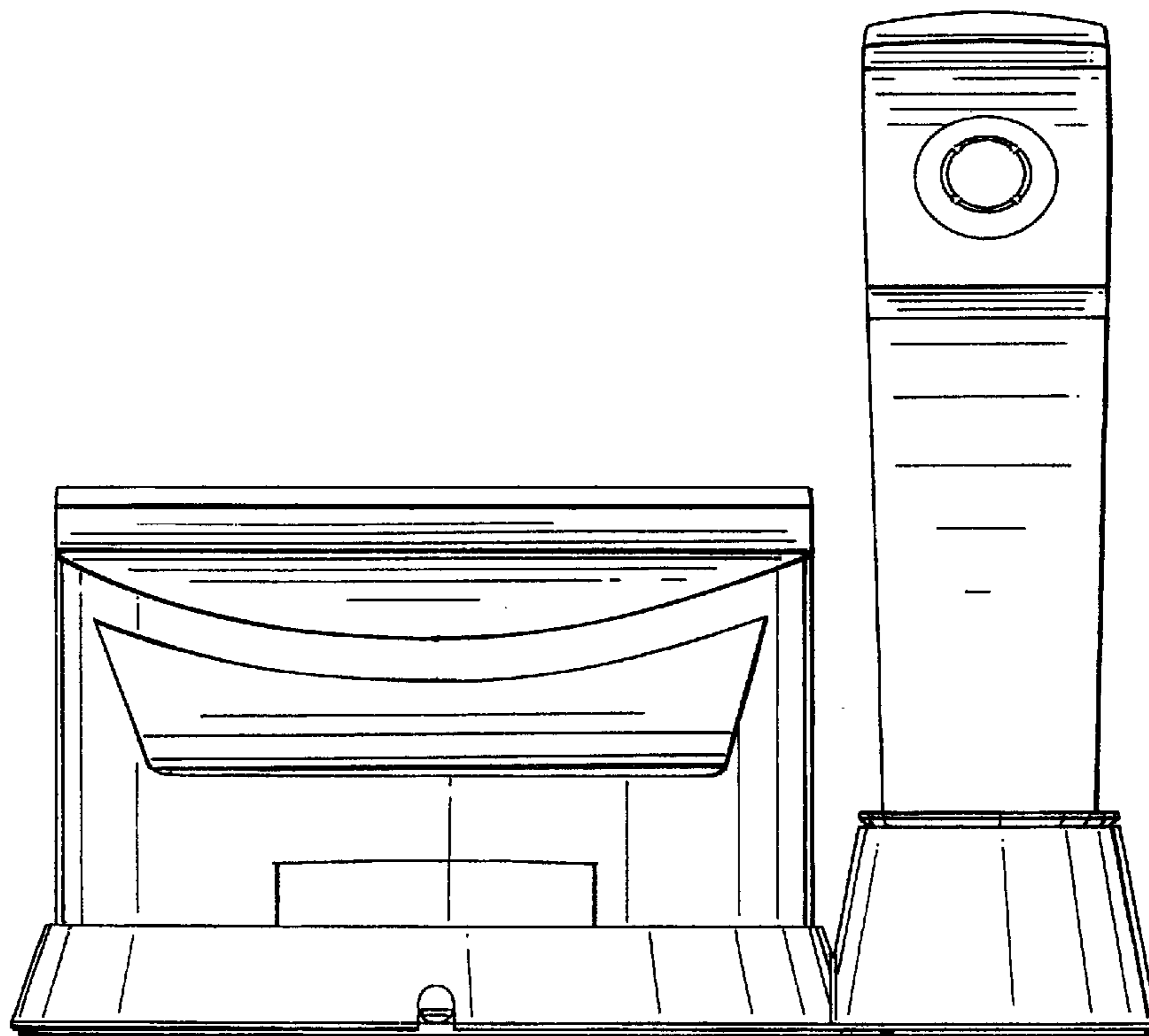


FIG. 4

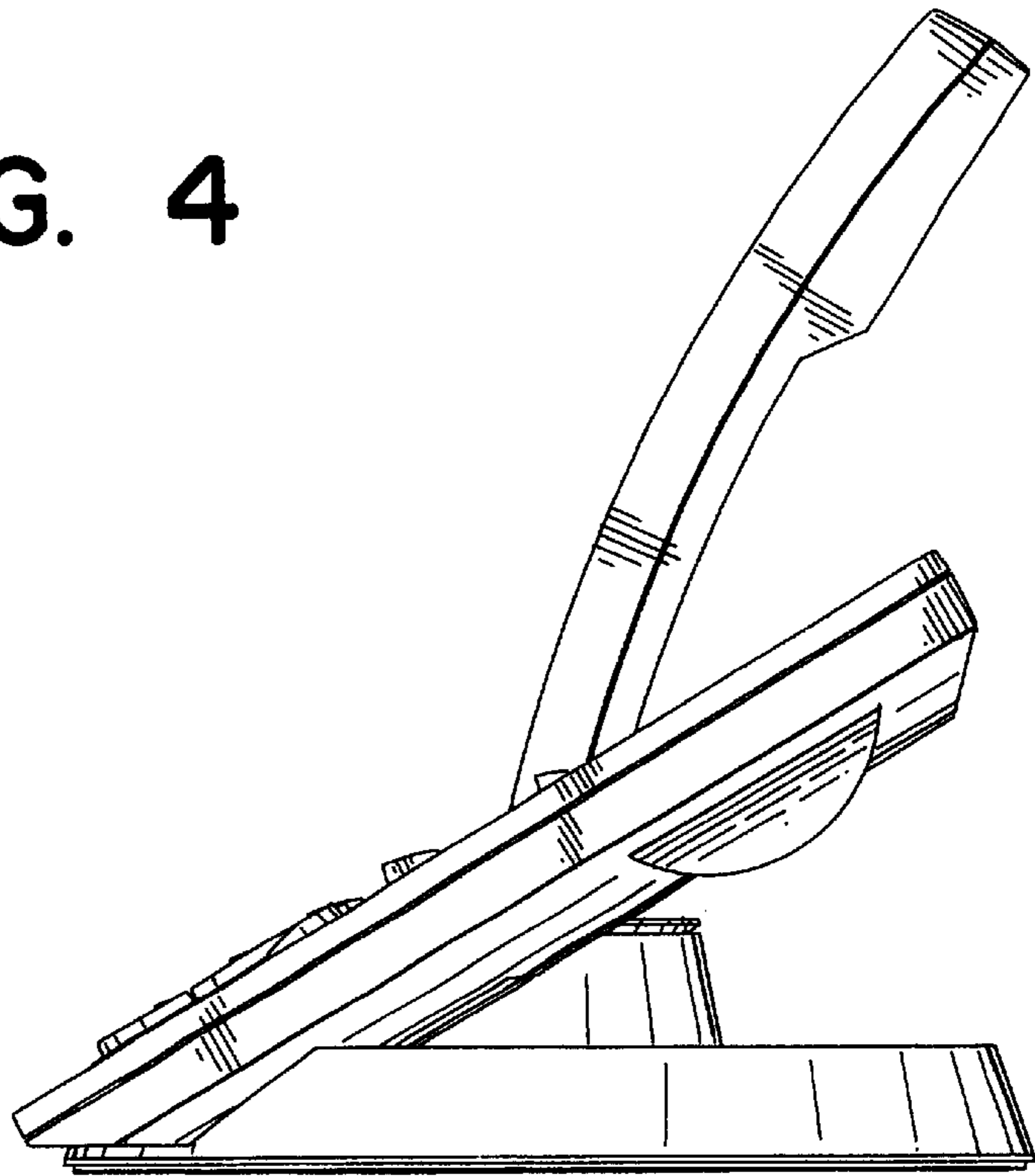


FIG. 5

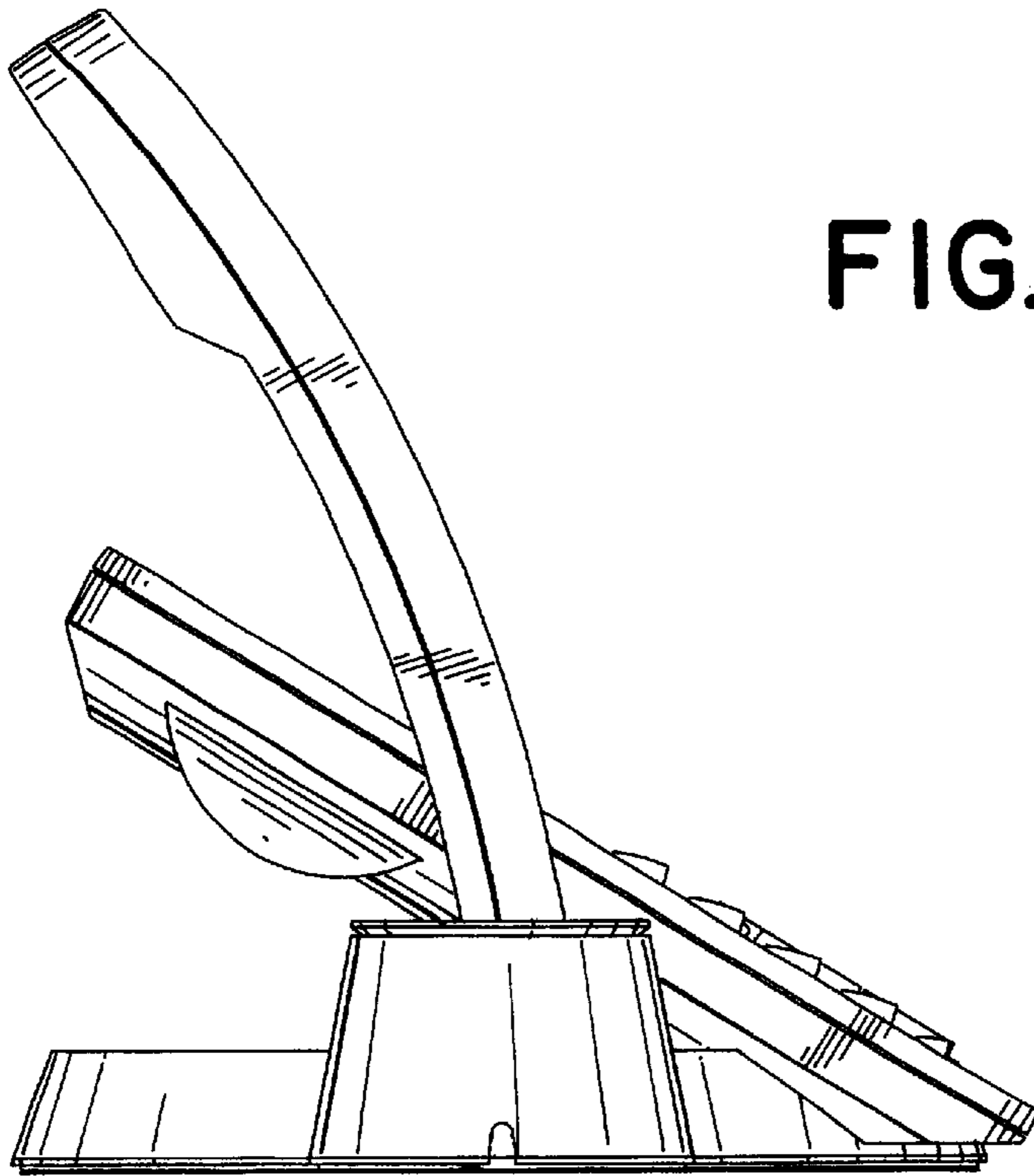


FIG. 6

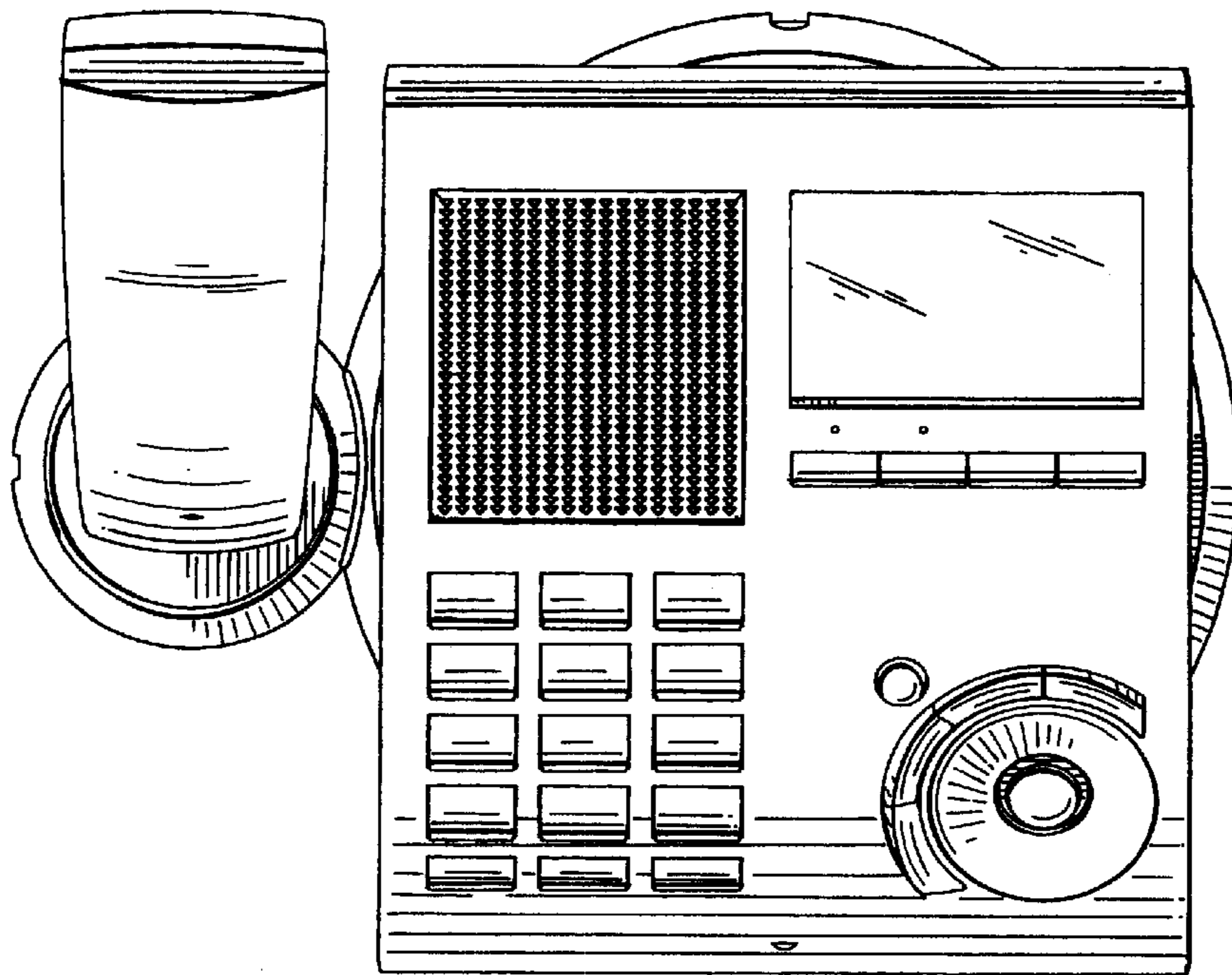


FIG. 7

