



US00D466089S

(12) **United States Design Patent**
Suen

(10) **Patent No.:** **US D466,089 S**

(45) **Date of Patent:** **** Nov. 26, 2002**

(54) **ACCESS CONTROL DEVICE**

5,894,277 A * 4/1999 Keskin et al. 340/5.21
D435,522 S * 12/2000 Ohlwine et al. D13/162

(75) Inventor: **Siu Wah Suen**, Causeway Bay (CN)

* cited by examiner

(73) Assignee: **Integrated Corporation**, Hong Kong (HK)

Primary Examiner—Jennifer Rivard

(74) *Attorney, Agent, or Firm*—Alix, Yale & Ristas, LLP

(**) Term: **14 Years**

(57) **CLAIM**

(21) Appl. No.: **29/134,631**

The ornamental design for an access control device, as shown and described.

(22) Filed: **Dec. 26, 2000**

DESCRIPTION

(30) **Foreign Application Priority Data**

Jun. 29, 2000 (HK) 0010851

(51) **LOC (7) Cl.** **13-03**

(52) **U.S. Cl.** **D13/162; D14/383**

(58) **Field of Search** D8/330, 331, 344;
D14/383–387; 70/278.1, 278.4, 284, 285,
271, 277; 292/DIG. 37; 340/5.21, 5.54,
5.65, 5.73, 5.81, 5.85; D13/162

FIG. 1 is a front perspective view of the access control device showing my new design;

FIG. 2 is a front view of the access control device of FIG. 1;

FIG. 3 is a left side view of the access control device of FIG. 1;

FIG. 4 is a top plan view of the access control device of FIG. 1;

FIG. 5 is a right side view of the access control device of FIG. 1;

FIG. 6 is a rear view of the access control device of FIG. 1;

and,
FIG. 7 is a bottom plan view of the access control device of FIG. 1.

(56) **References Cited**

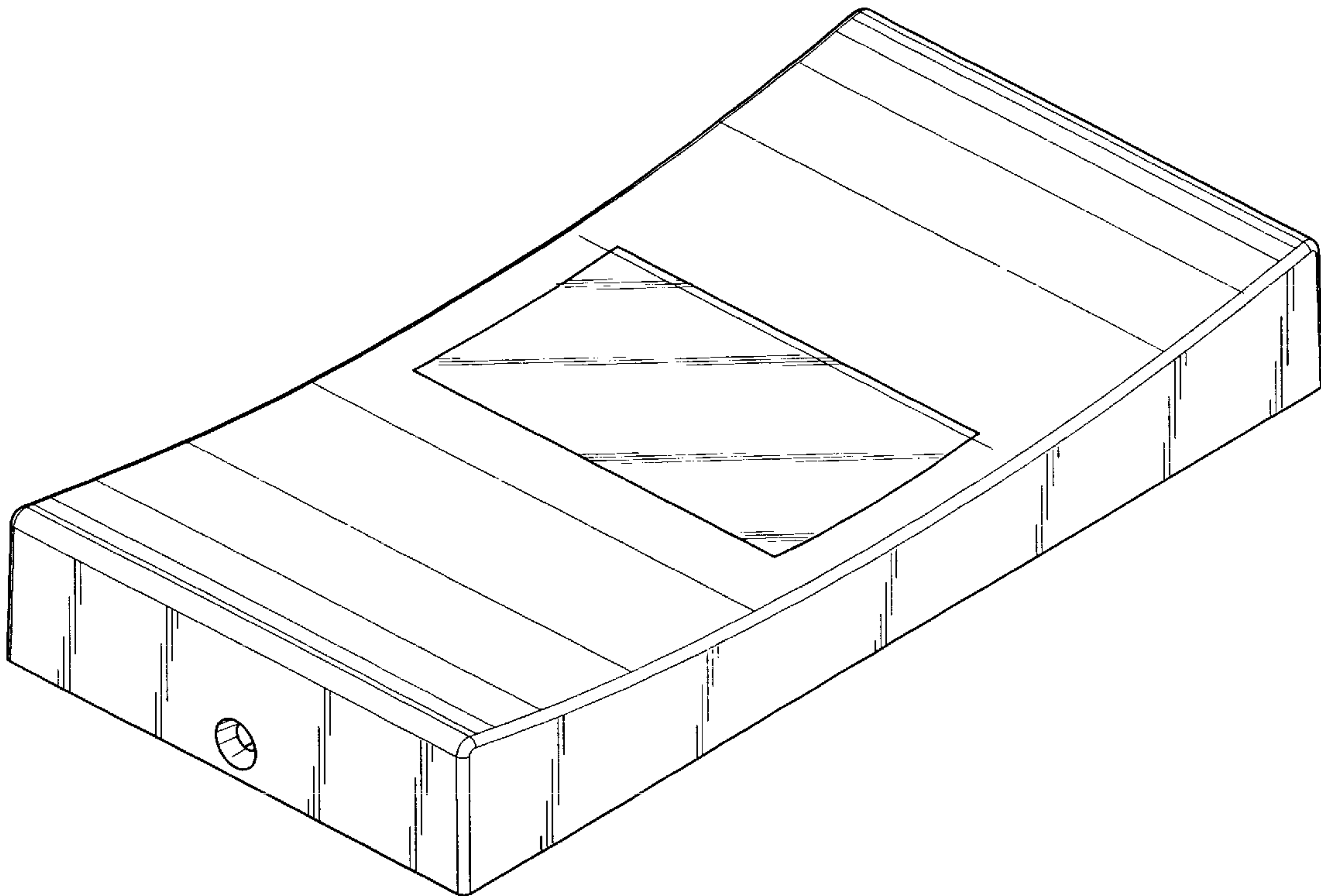
U.S. PATENT DOCUMENTS

D290,442 S * 6/1987 Floyd et al. D8/330

D302,936 S * 8/1989 Turner D8/343

D303,251 S * 9/1989 Morishita et al. D14/384

1 Claim, 3 Drawing Sheets



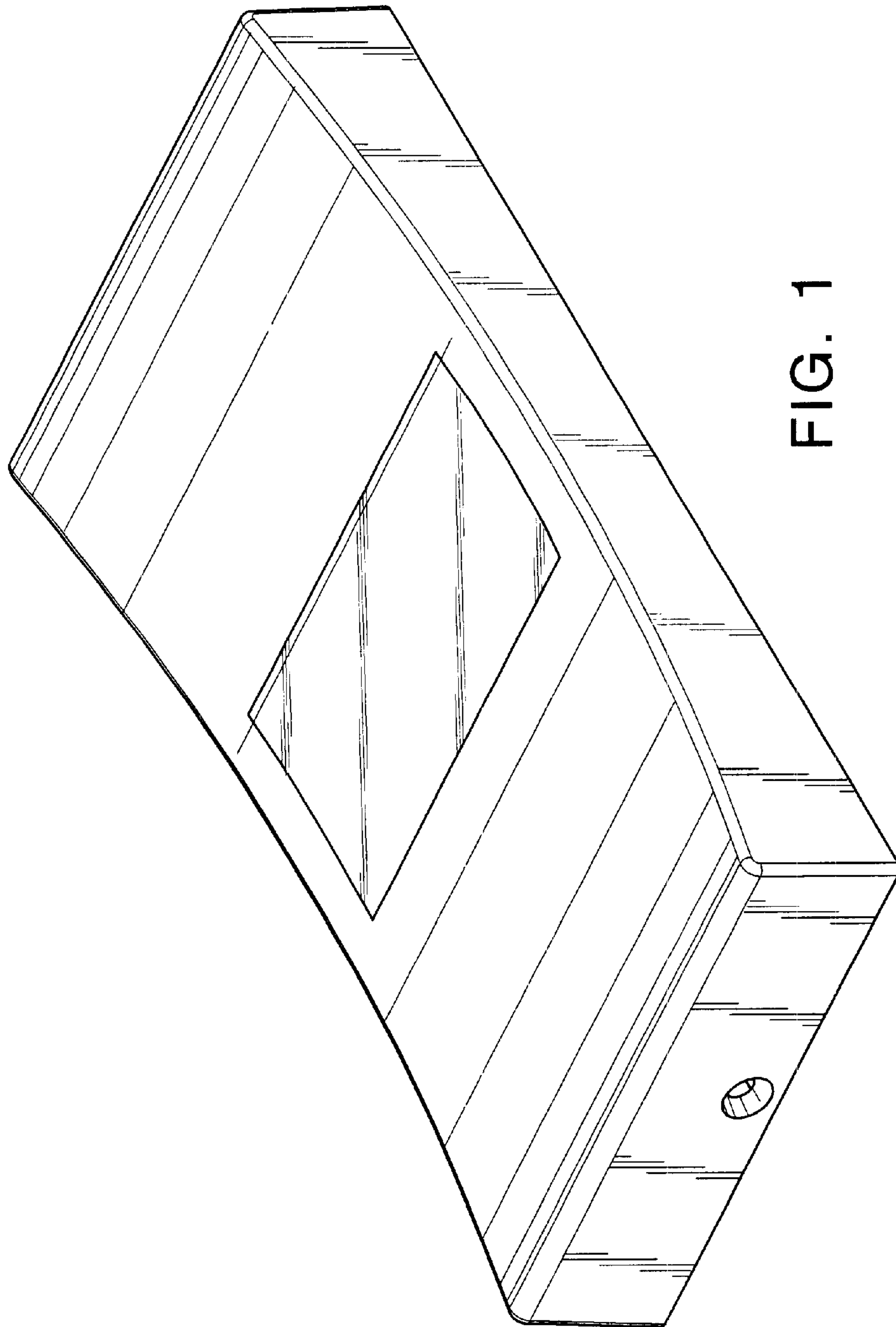


FIG. 1

FIG. 4

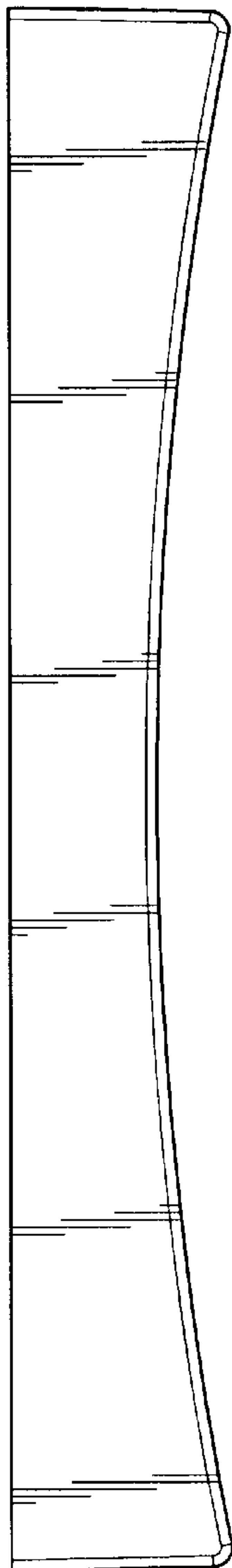
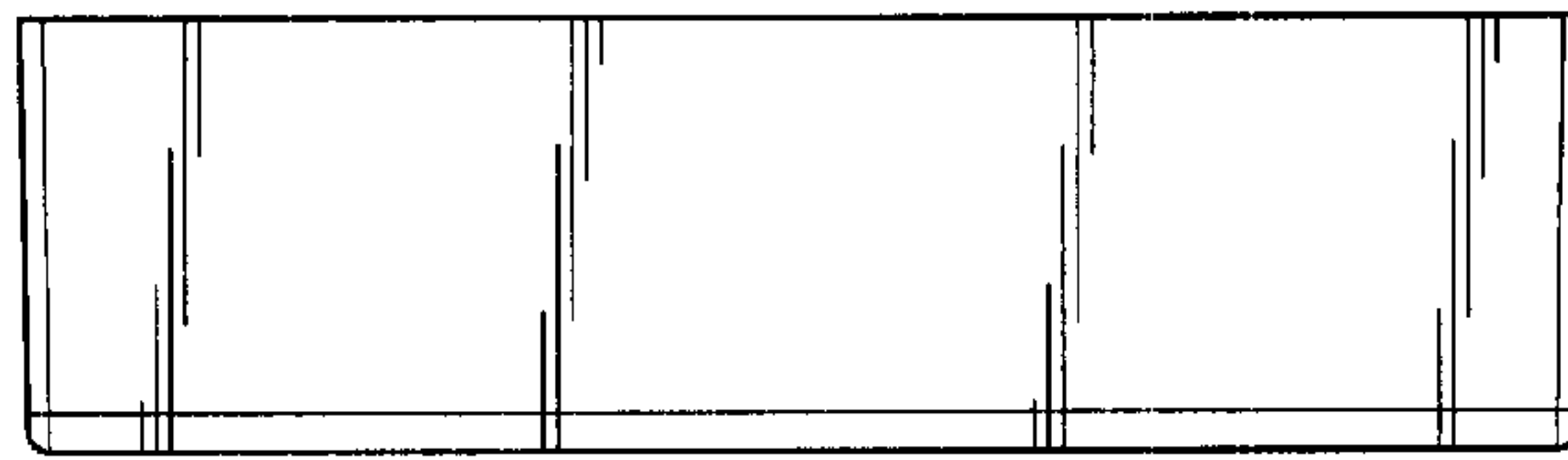


FIG. 3

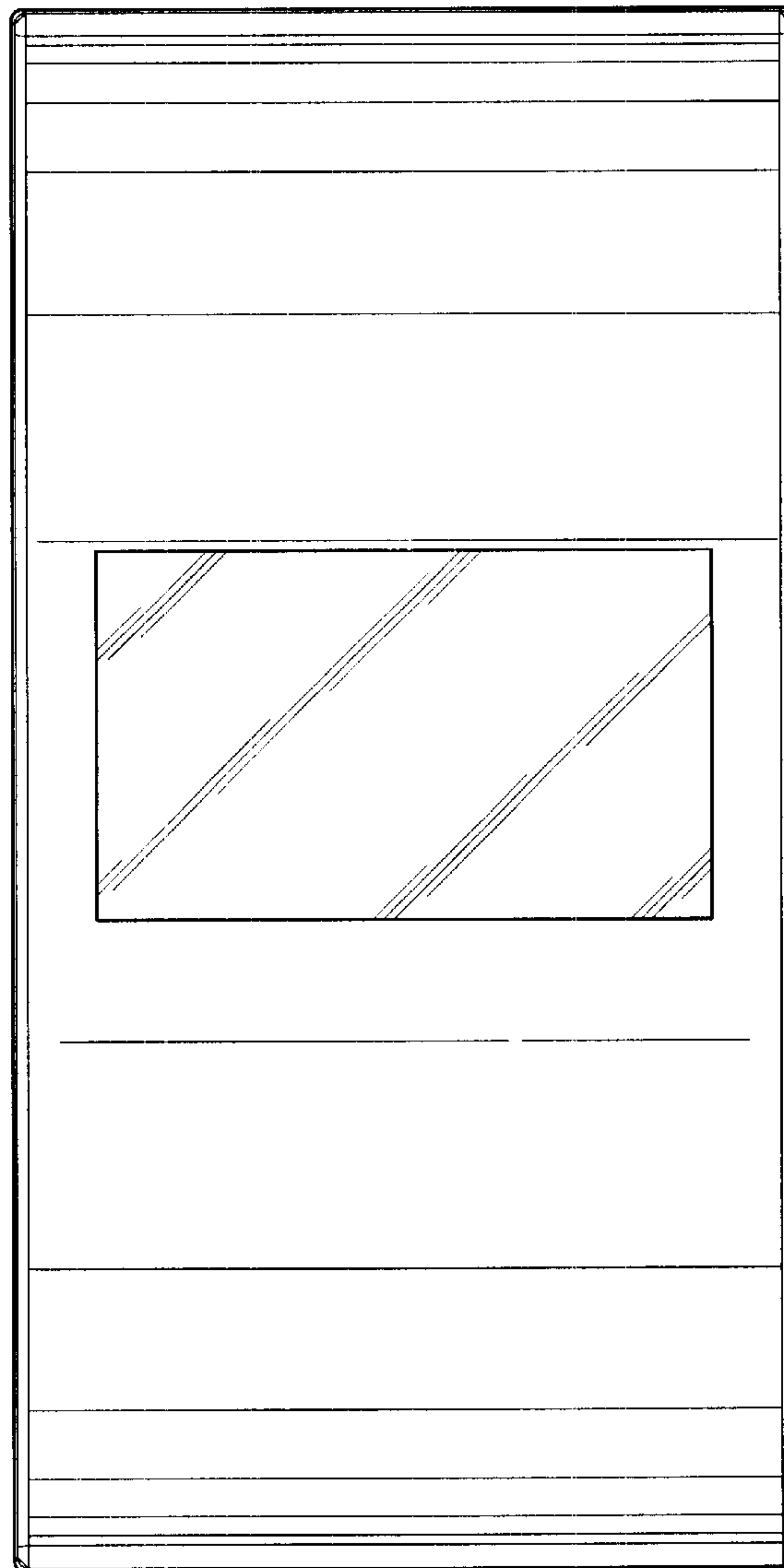


FIG. 2

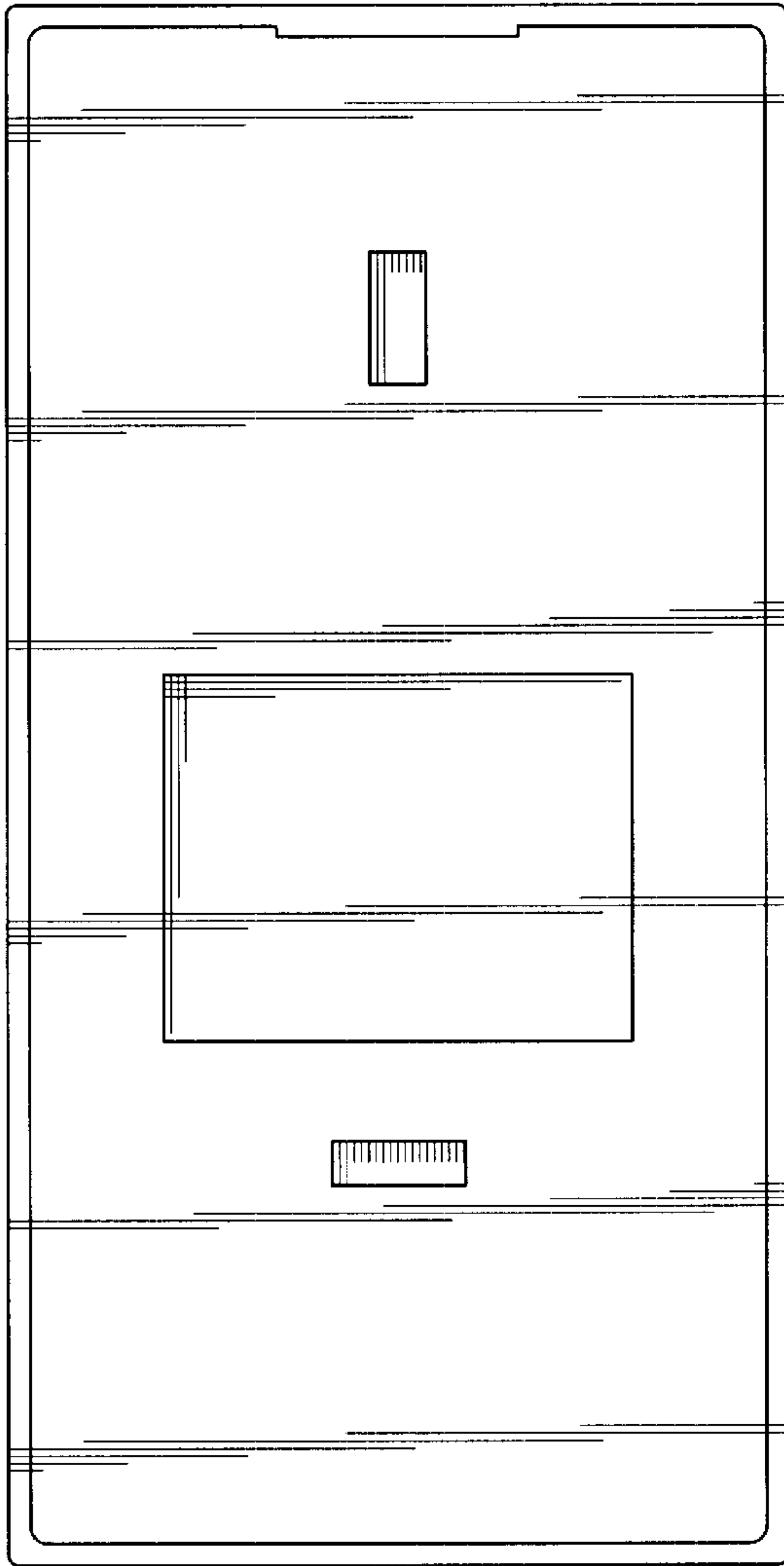


FIG. 6

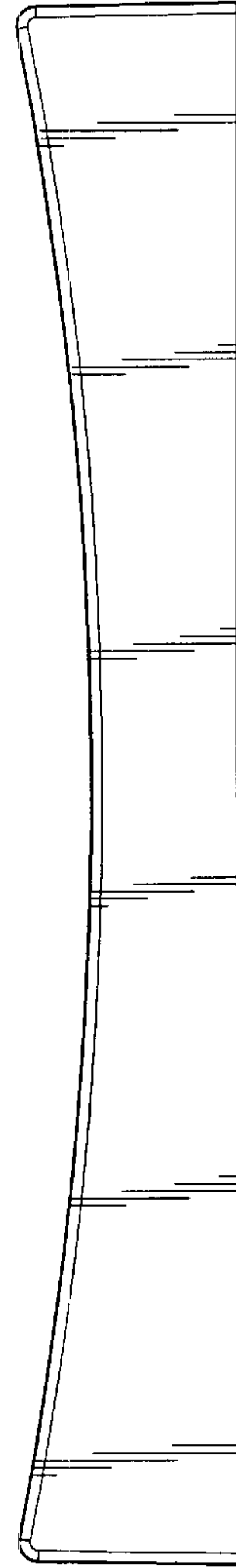


FIG. 5

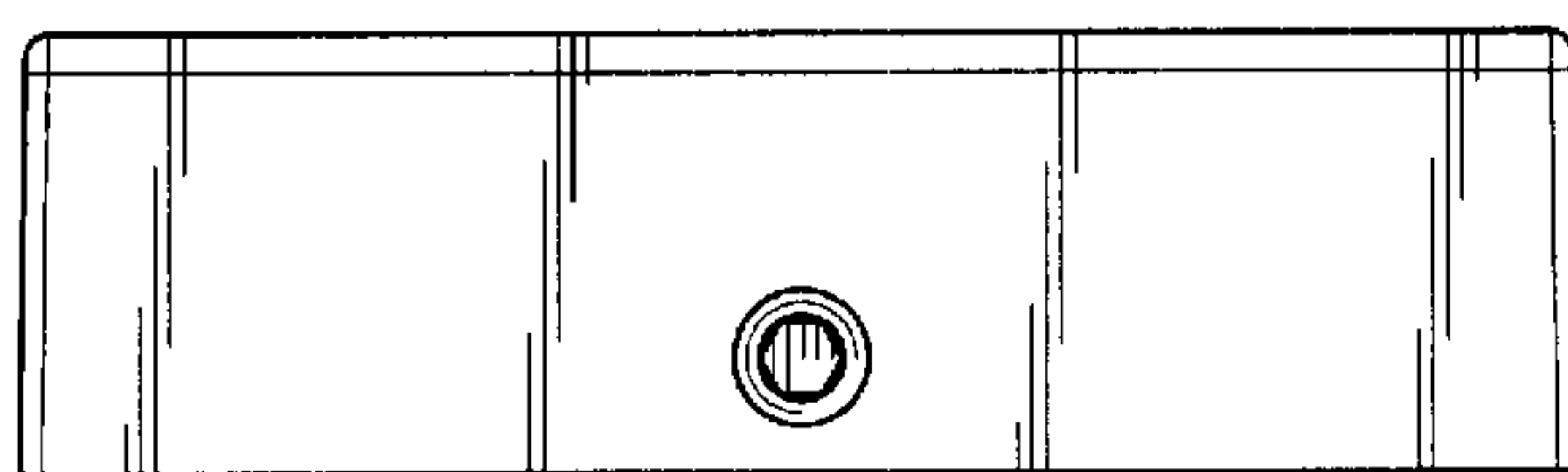


FIG. 7