



US00D466088S

(12) **United States Design Patent**
Saben

(10) **Patent No.:** **US D466,088 S**

(45) **Date of Patent:** **** Nov. 26, 2002**

(54) **ELECTRIC CORD CONNECTOR**

D456,361 S * 4/2002 Troxell D13/154

(76) Inventor: **Barrett E Saben**, P.O. Box 2388
Martha's Vineyard, Vineyard Haven,
MA (US) 02568

* cited by examiner

Primary Examiner—Robert M. Spear

(**) Term: **14 Years**

(57) **CLAIM**

The ornamental design for an electric cord connector, as shown and described.

(21) Appl. No.: **29/155,724**

(22) Filed: **Feb. 15, 2002**

DESCRIPTION

(51) **LOC (7) Cl.** **13-03**

FIG. 1 is a front elevational view of an electric cord connector of the present invention, the rear view being a mirror image thereof;

(52) **U.S. Cl.** **D13/154**

FIG. 2 is a left side elevational view of the electric cord connector of FIG. 1, the right view being a mirror image thereof;

(58) **Field of Search** D8/356; D13/149,
D13/152-156, 184, 199; 24/129 R, 130;
439/368-371, 650-654

FIG. 3 is a top plan view of the electric cord connector of FIG. 1;

(56) **References Cited**

U.S. PATENT DOCUMENTS

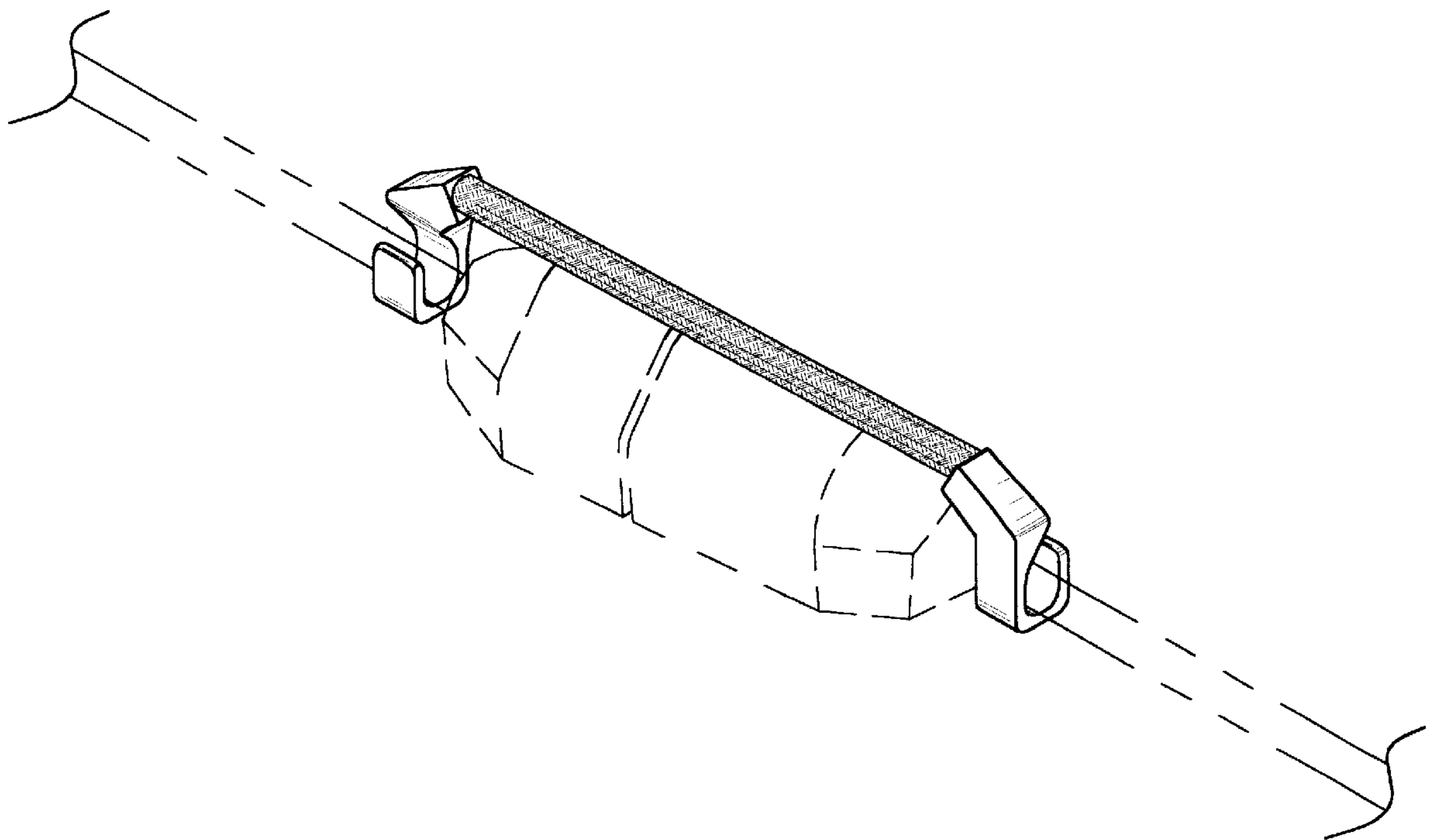
- 2,533,341 A * 12/1950 Alfano 24/129 R
- 3,344,393 A 9/1967 Hendee
- 3,609,638 A 9/1971 Darrey
- 3,999,828 A 12/1976 Howell
- 4,221,449 A 9/1980 Shugart
- 4,832,618 A 5/1989 Gunderson
- D340,695 S 10/1993 Merriman et al.
- D369,959 S * 5/1996 Marsh et al. D8/394

FIG. 4 is a bottom plan view of the electric cord connector of FIG. 1; and,

FIG. 5 is a top, front, right side perspective view of the electric cord connector of FIG. 1.

The broken lines showing 2 electrical cords in FIG. 5 are for illustrative purposes only and form no part of the claimed design.

1 Claim, 2 Drawing Sheets



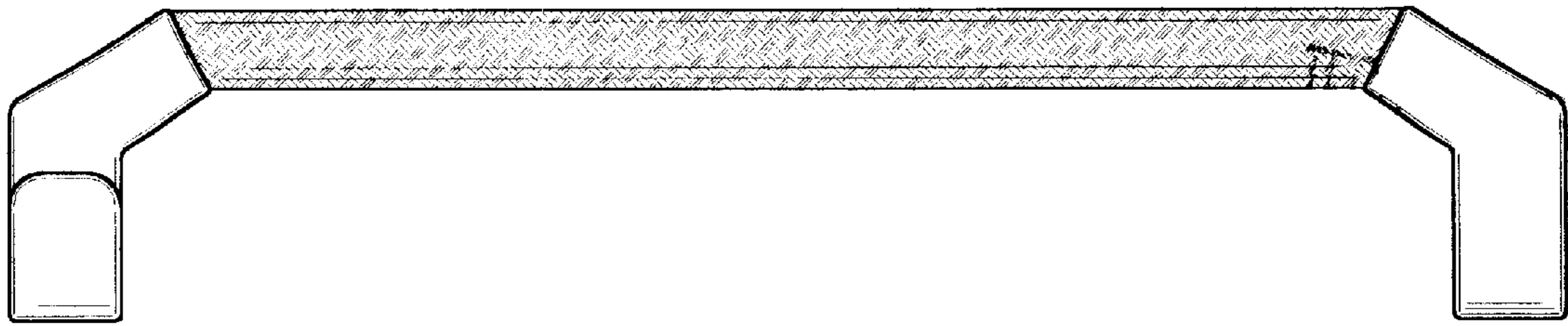


FIG. 1

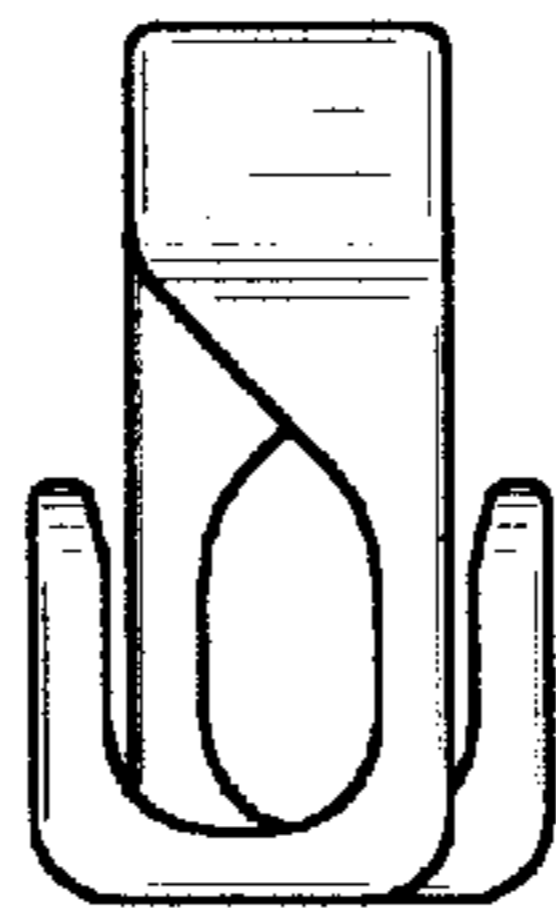


FIG. 2

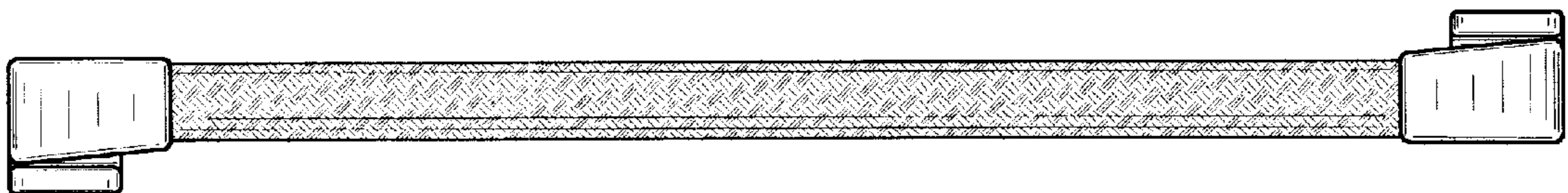


FIG. 3

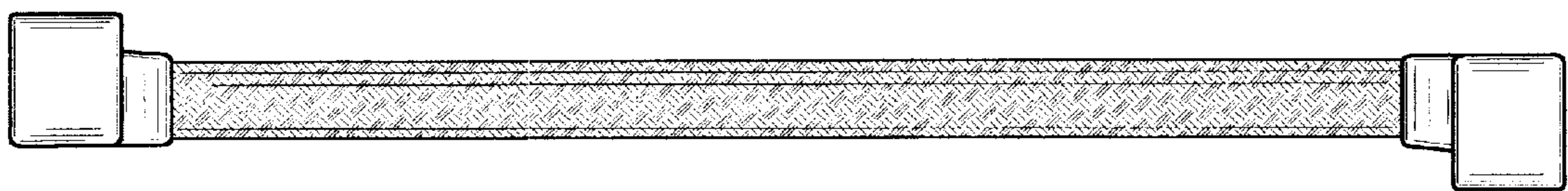


FIG. 4

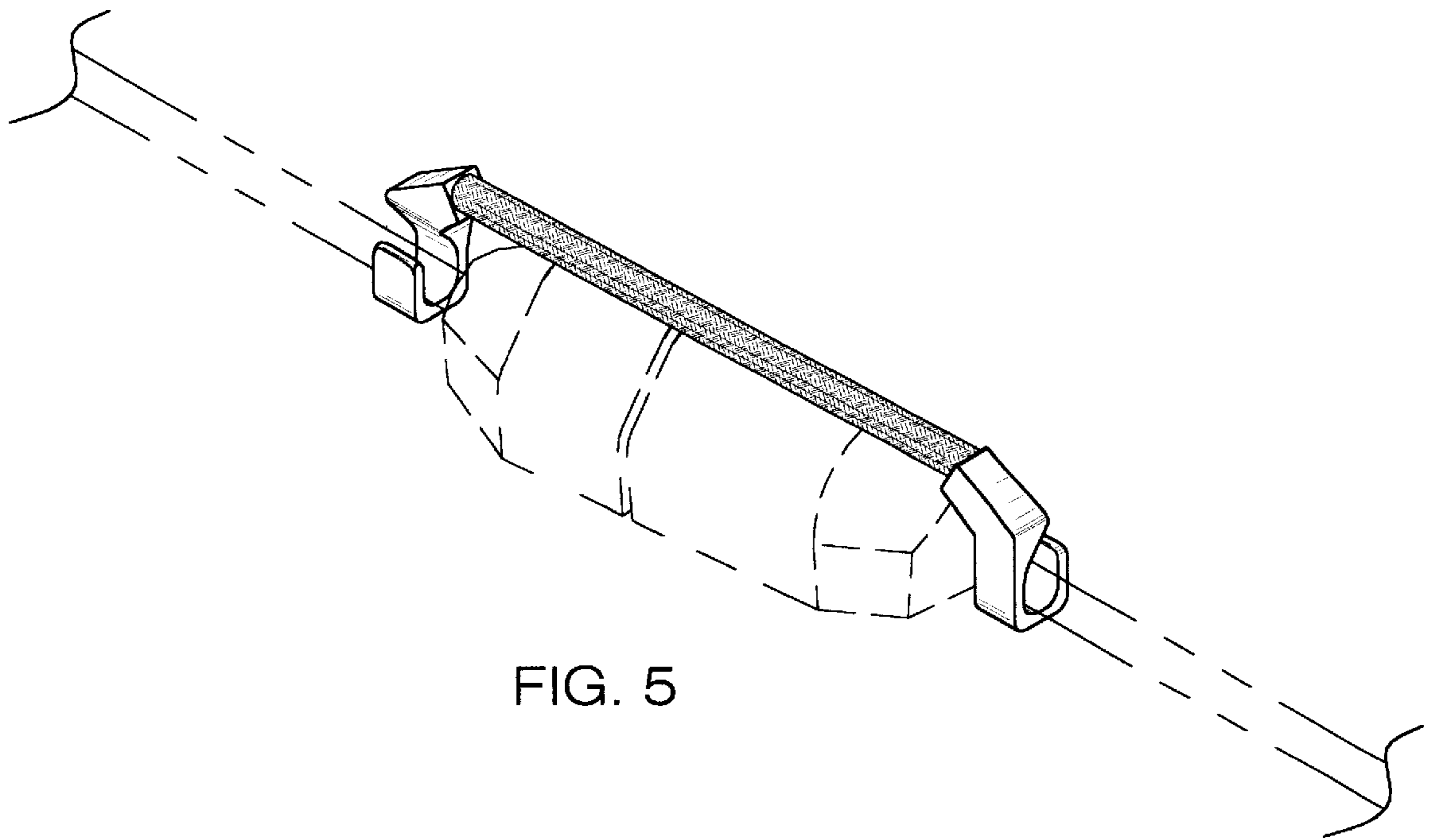


FIG. 5