



US00D466086S

(12) **United States Design Patent**
Metcalf

(10) **Patent No.:** **US D466,086 S**

(45) **Date of Patent:** **** Nov. 26, 2002**

(54) **ELECTRICAL AND DATA SERVICES
MODULE**

(75) **Inventor:** **Keith Metcalf, Jasper, IN (US)**

(73) **Assignee:** **Kimball International, Inc., Jasper, IN
(US)**

(**) **Term:** **14 Years**

(21) **Appl. No.:** **29/143,275**

(22) **Filed:** **Jun. 11, 2001**

(51) **LOC (7) Cl. 13-03**

(52) **U.S. Cl. D13/152**

(58) **Field of Search** D8/350, 351, 352,
D8/353; D13/139.4, 139.5, 152, 153, 154,
156, 158, 173, 184; 174/48, 50, 53, 54,
58, 65 R, 66, 67; 220/3.2, 3.3, 3.6, 3.8,
33.92, 4.02; 361/643; 439/367, 535, 536,
653

(56) **References Cited**

U.S. PATENT DOCUMENTS

D78,966 S	7/1929	Conner	
D122,497 S	9/1940	McCarthy	
2,427,349 A *	9/1947	Boynton	439/536
2,907,813 A	10/1959	Hudson	174/48
3,756,447 A	9/1973	Hadfield	220/3.3
4,496,790 A *	1/1985	Spencer	174/48
4,984,982 A *	1/1991	Brownlie et al.	439/536
D325,723 S	4/1992	Gary et al.	D13/137
5,195,288 A	3/1993	Penczak	52/220.1
D354,671 S *	1/1995	Penczak	D8/353

D389,459 S *	1/1998	Byrne	D13/139.5
D405,416 S *	2/1999	Byrne	D13/139.4
D411,734 S *	6/1999	Hsiang	D8/353
5,998,732 A *	12/1999	Caneney et al.	174/48
6,042,426 A	3/2000	Byrne	439/654
6,200,159 B1 *	3/2001	Chou	439/535

OTHER PUBLICATIONS

Byrne Power & Communication Sphere, Byrne Electrical Specialists, Inc., D051998A, Jun. 2, 1999, 3 pgs.
ECA The New Exception 1 (one) Clamp on Voice/Data/Power Product, Electri-Cable Assemblies, Inc., 2 pgs.

* cited by examiner

Primary Examiner—Robert M. Spear

(74) *Attorney, Agent, or Firm*—Baker & Daniels

(57) **CLAIM**

The ornamental design for an electrical and data services module, as shown and described.

DESCRIPTION

FIG. 1 is a perspective view of an electrical and data services module showing my new design, with the open cover and receptacles, which form no part of the claimed design, shown in dashed lines;

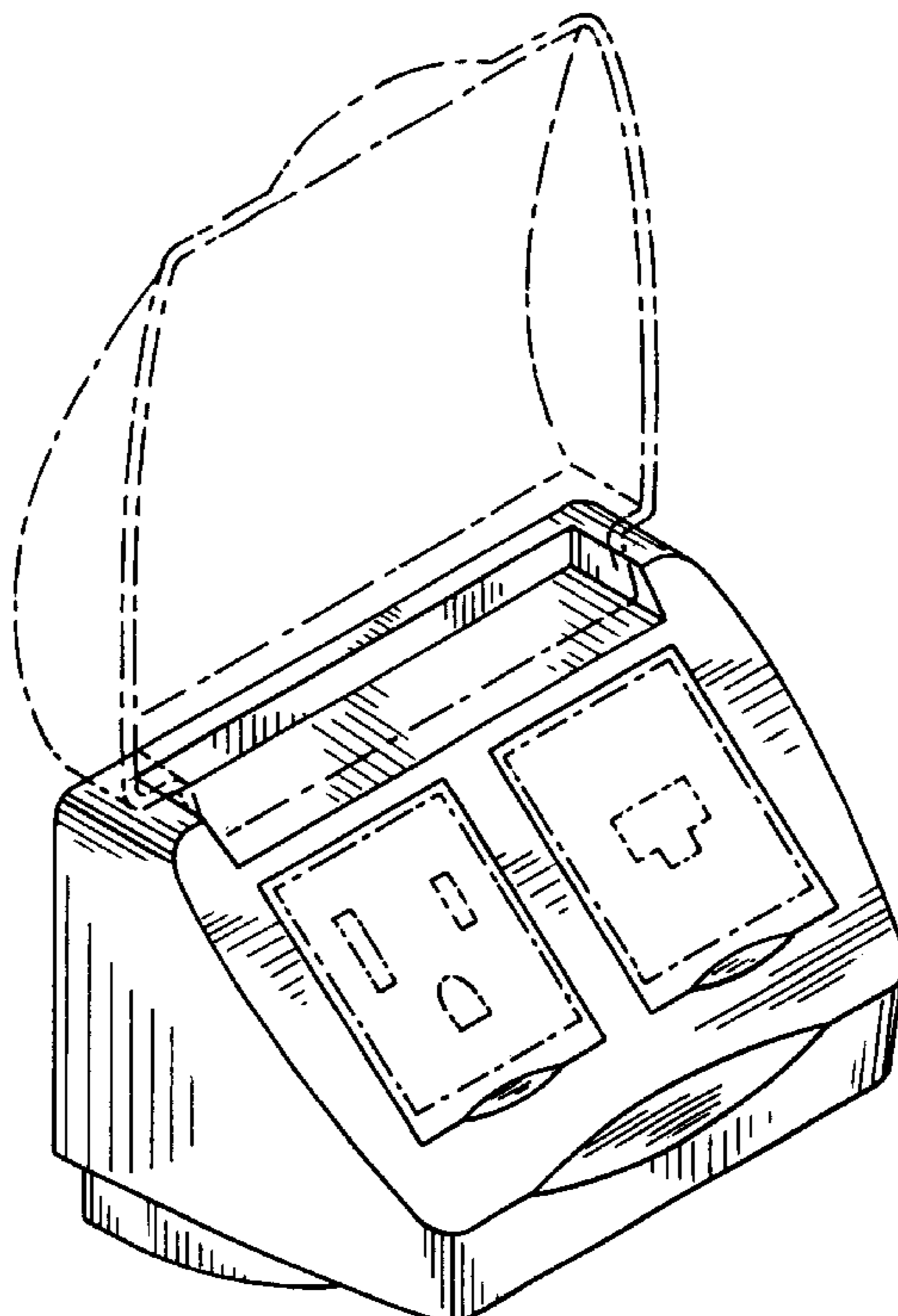
FIG. 2 is a front view thereof;

FIG. 3 is a top view thereof;

FIG. 4 is a side view thereof, the opposite side being a mirror image thereof; and,

FIG. 5 is a back view thereof.

1 Claim, 3 Drawing Sheets



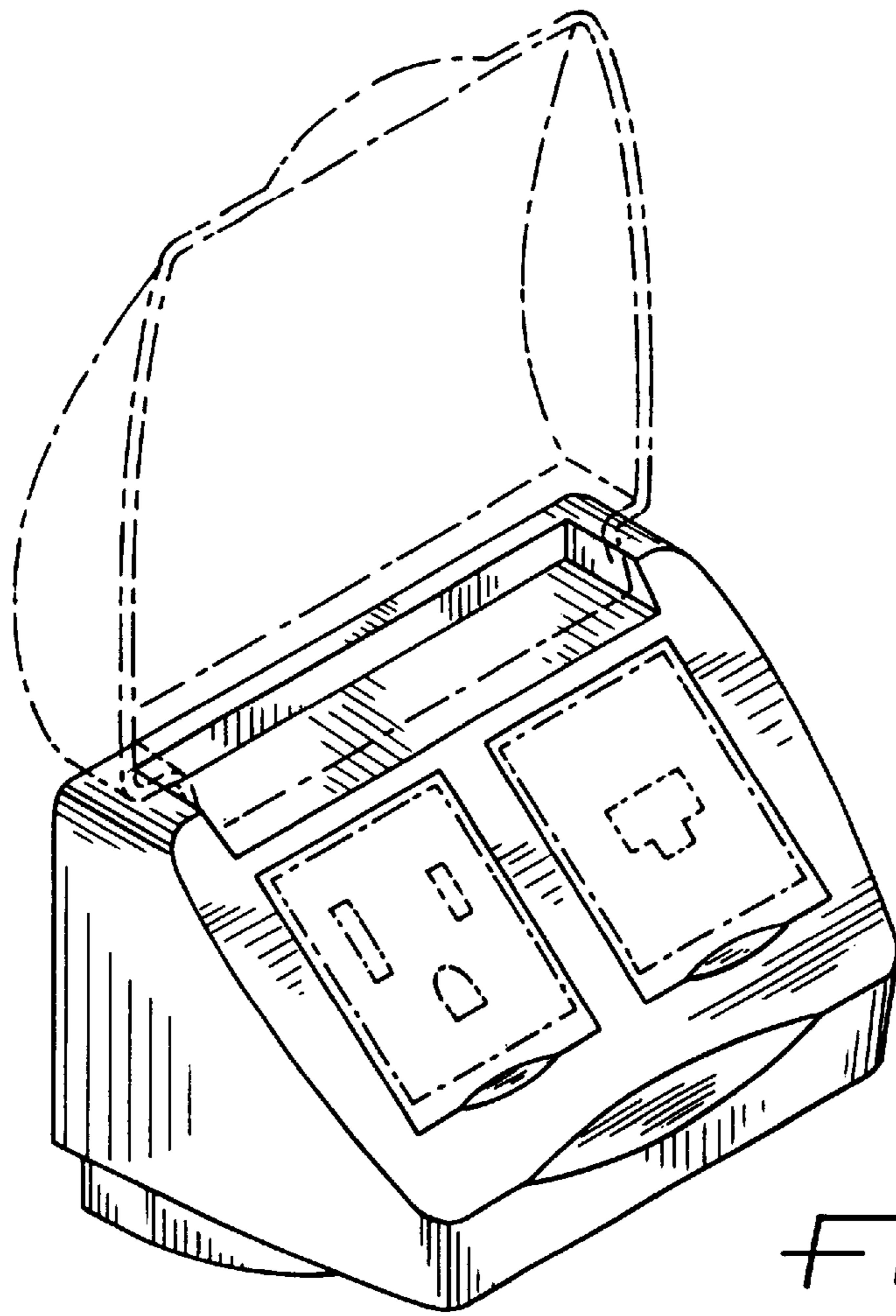


FIG. 1

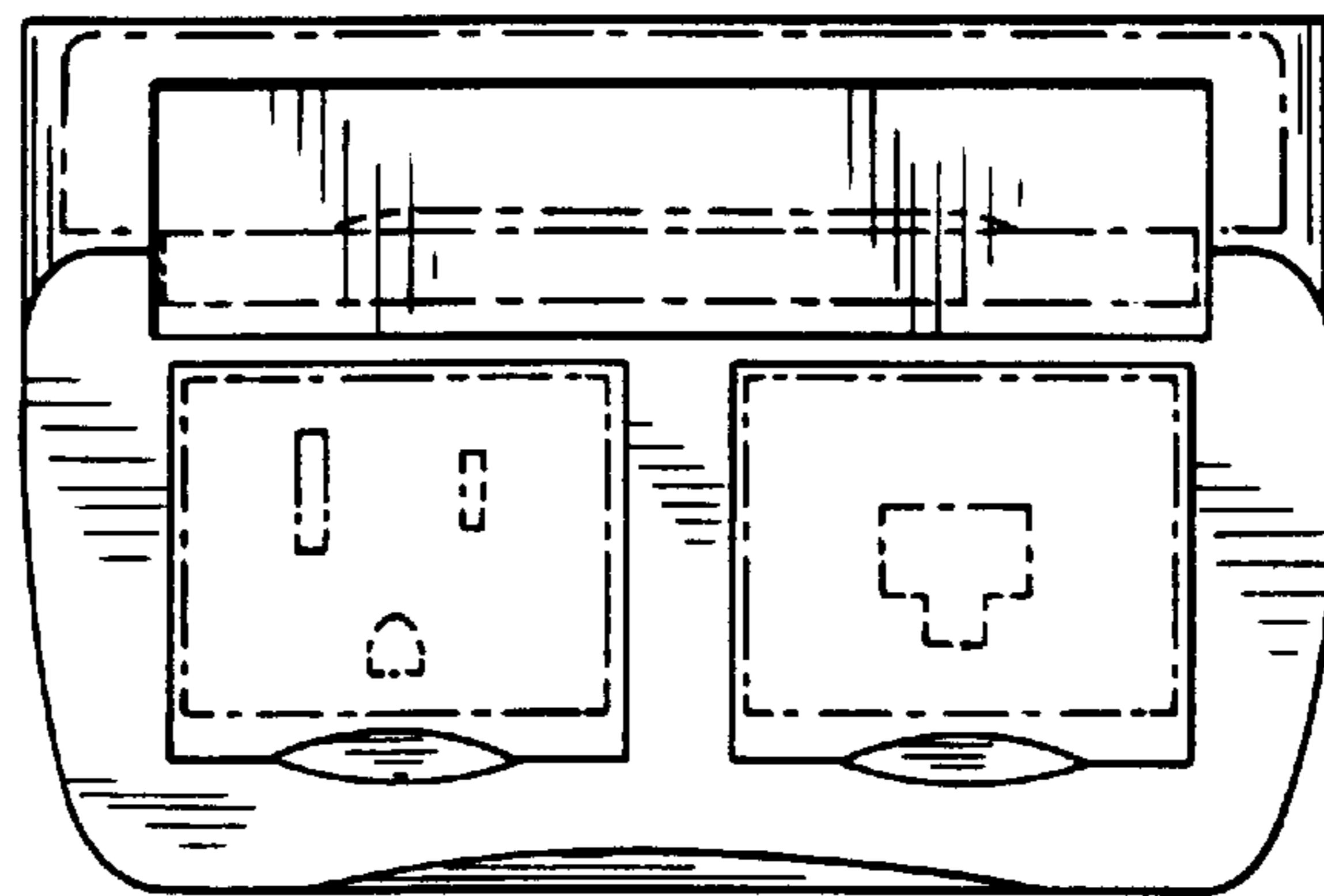


FIG. 3

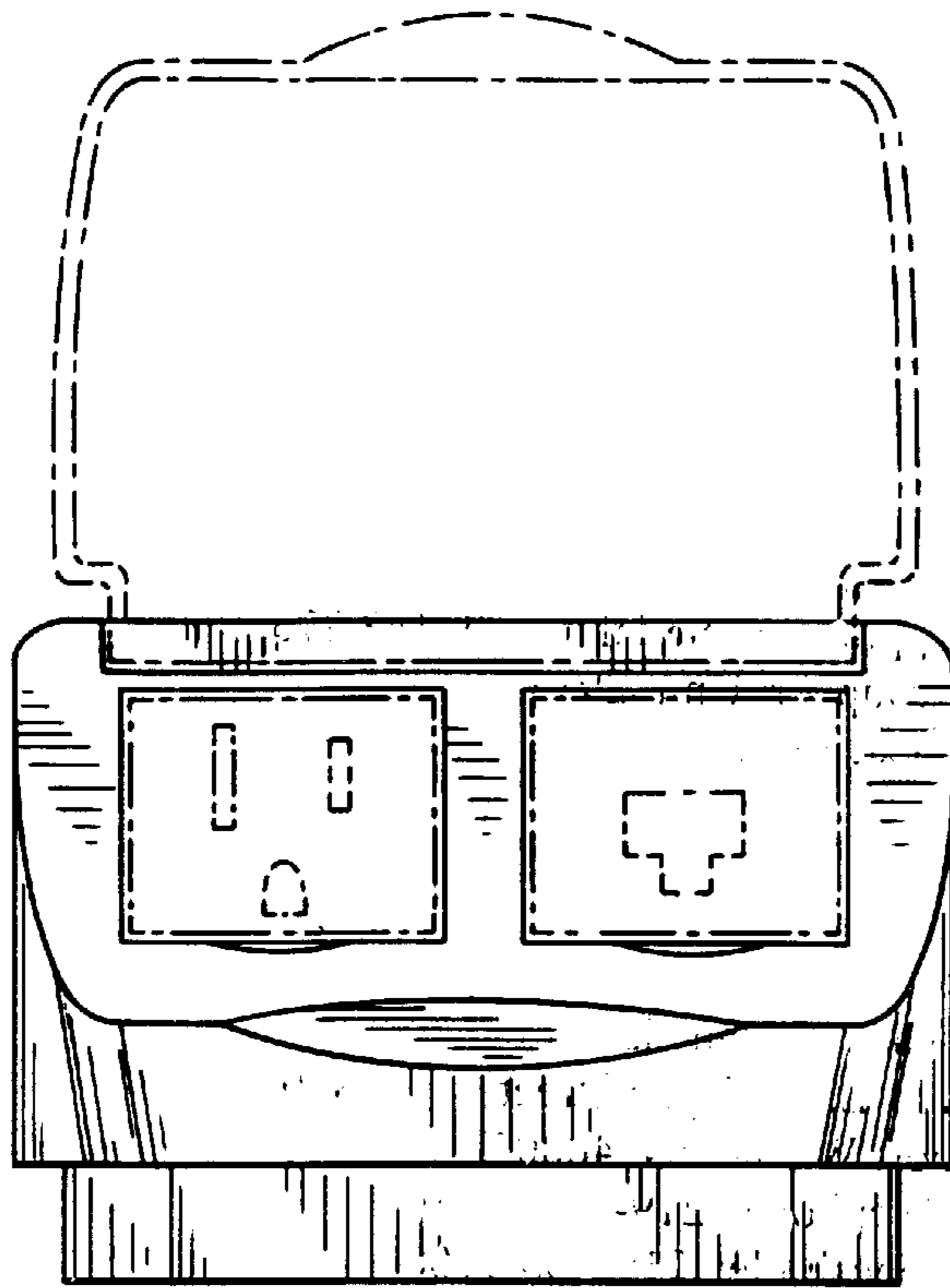


FIG. 2

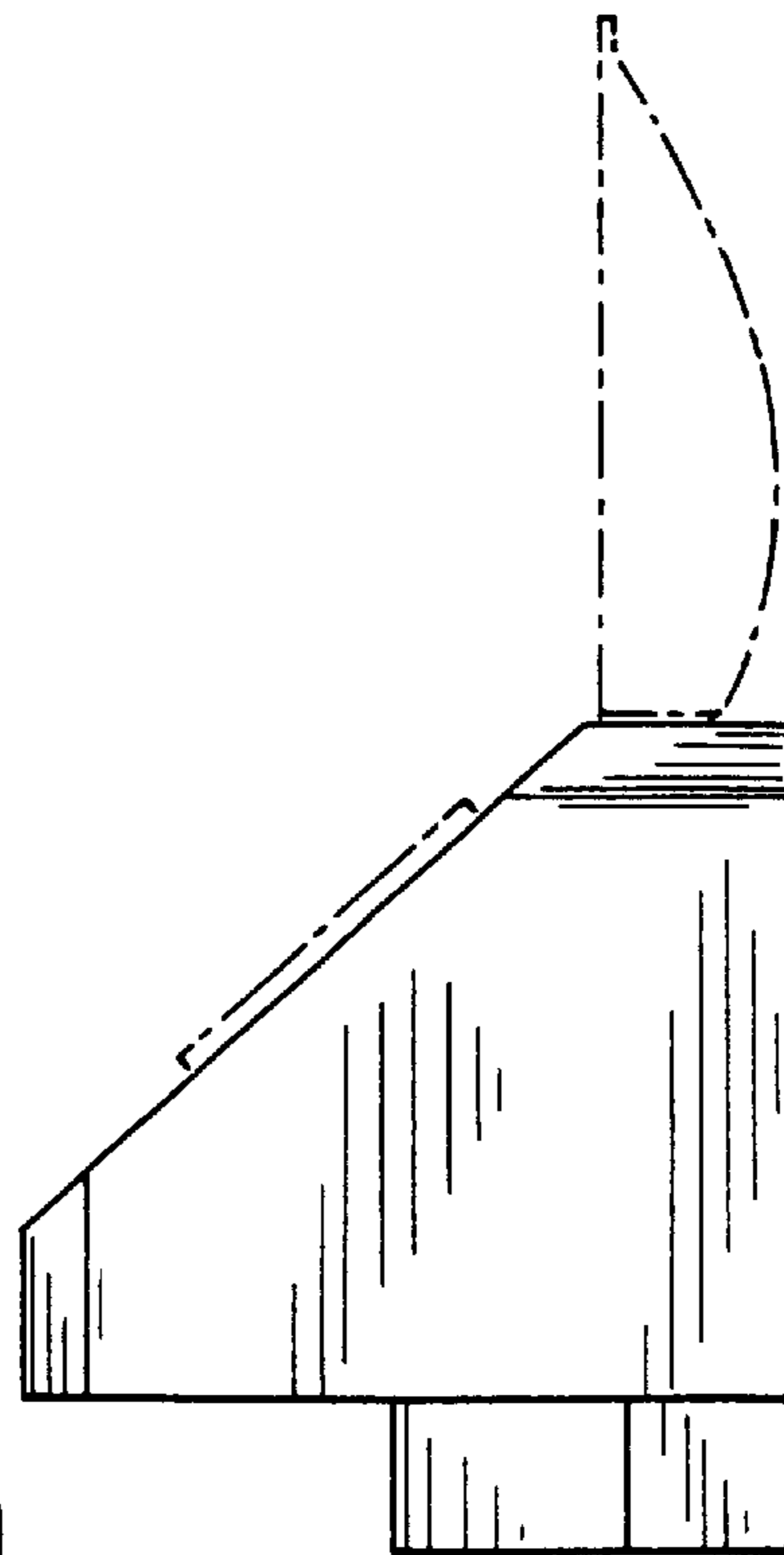


FIG. 4

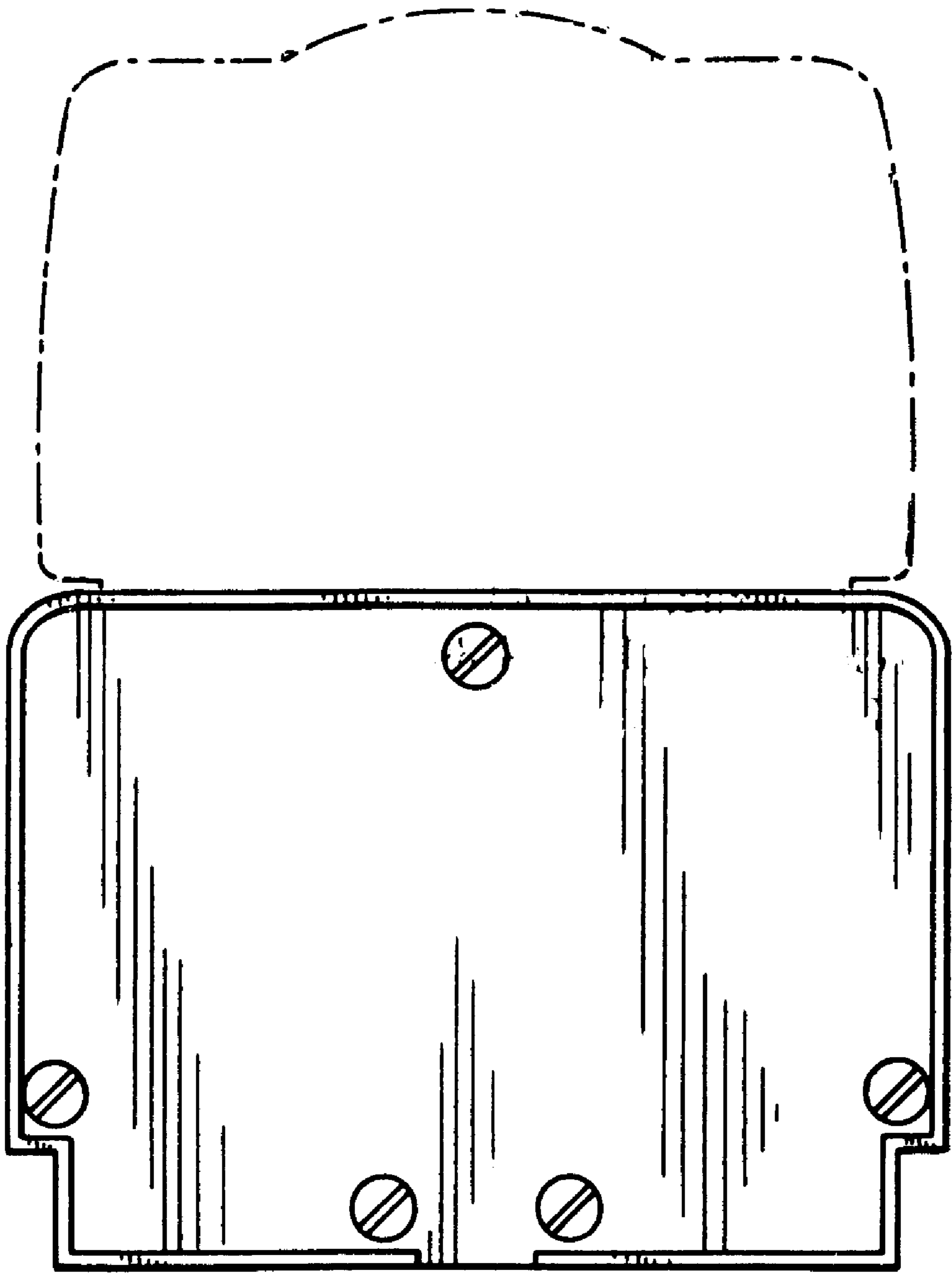


FIG. 5