



US00D466084S

(12) **United States Design Patent**
Zhang et al.

(10) **Patent No.:** **US D466,084 S**

(45) **Date of Patent:** **** Nov. 26, 2002**

(54) **ELECTRICAL CONNECTOR**

(75) Inventors: **Guo Zeng Zhang**, Kunsan (CN);
Guang Xing Shi, Kunsan (CN)

(73) Assignee: **Hon Hai Precision Ind. Co., Ltd.**,
Taipei Hsien (TW)

(**) Term: **14 Years**

(21) Appl. No.: **29/153,042**

(22) Filed: **Dec. 29, 2001**

(51) **LOC (7) Cl.** **13-03**

(52) **U.S. Cl.** **D13/147**

(58) **Field of Search** D13/146, 147;
439/108, 607, 609, 540.1, 541.5

(56) **References Cited**

U.S. PATENT DOCUMENTS

D345,343 S	*	3/1994	Nakamura	D13/147
D418,817 S	*	1/2000	Wu	D13/147
D425,867 S	*	5/2000	Lok	D13/147

6,077,127 A	*	6/2000	Wu	439/717
6,132,254 A	*	10/2000	Wu	439/607
D443,251 S	*	6/2001	Wang et al.	D13/147
6,319,061 B1	*	11/2001	Chen et al.	439/607
6,346,009 B1	*	2/2002	Lin	439/607

* cited by examiner

Primary Examiner—Joel Sincavage

(74) *Attorney, Agent, or Firm*—Wei Te Chung

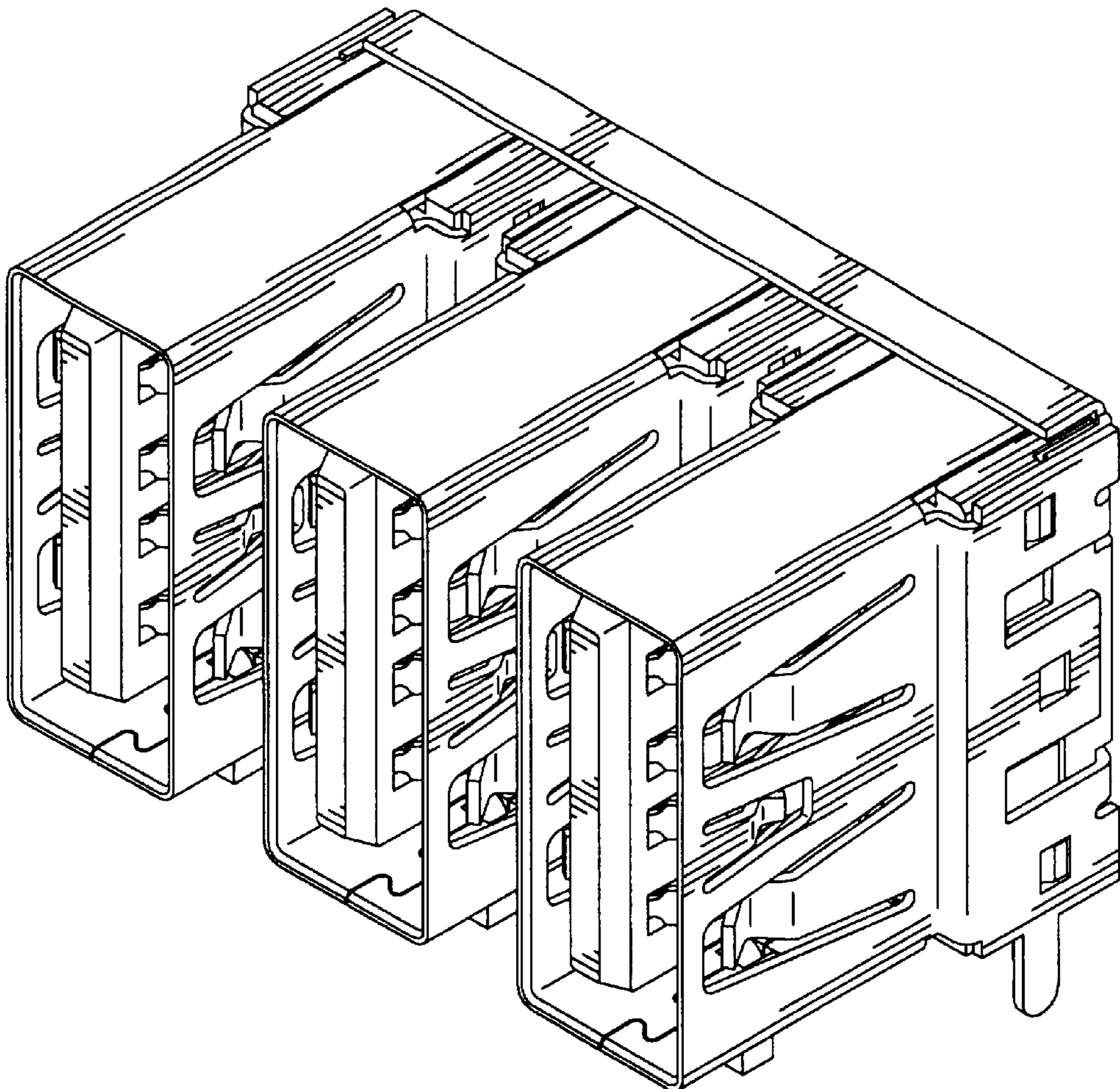
(57) **CLAIM**

The ornamental design for an electrical connector, as shown.

DESCRIPTION

FIG. 1 is a front, top and right side perspective view of an electrical connector showing our new design; FIG. 2 is a front elevational view thereof; FIG. 3 is a rear elevational view thereof; FIG. 4 is a left side elevational view thereof; FIG. 5 is a right side elevational view thereof; FIG. 6 is a top plan view thereof; and, FIG. 7 is a bottom plan view thereof.

1 Claim, 4 Drawing Sheets



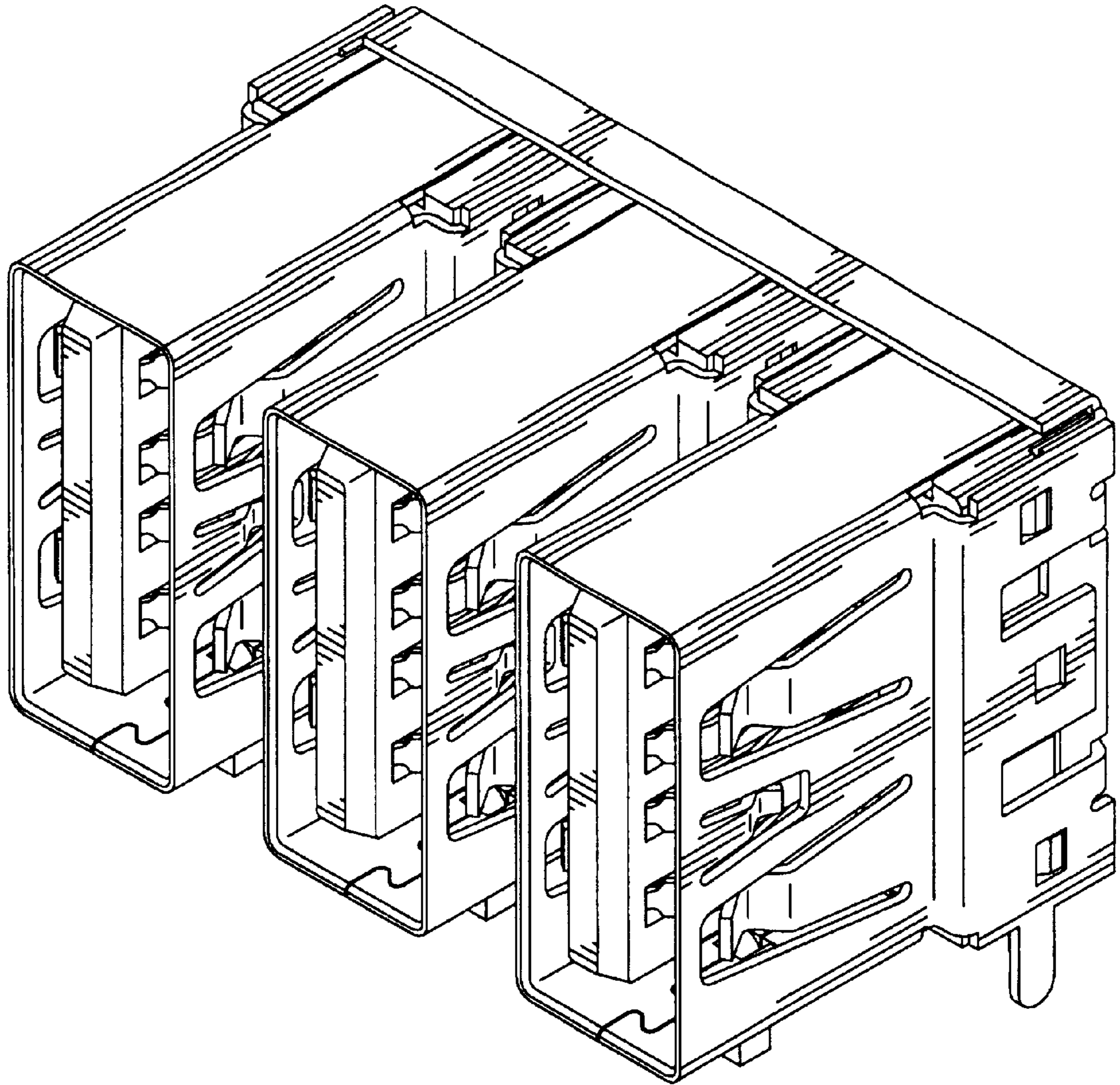


FIG. 1

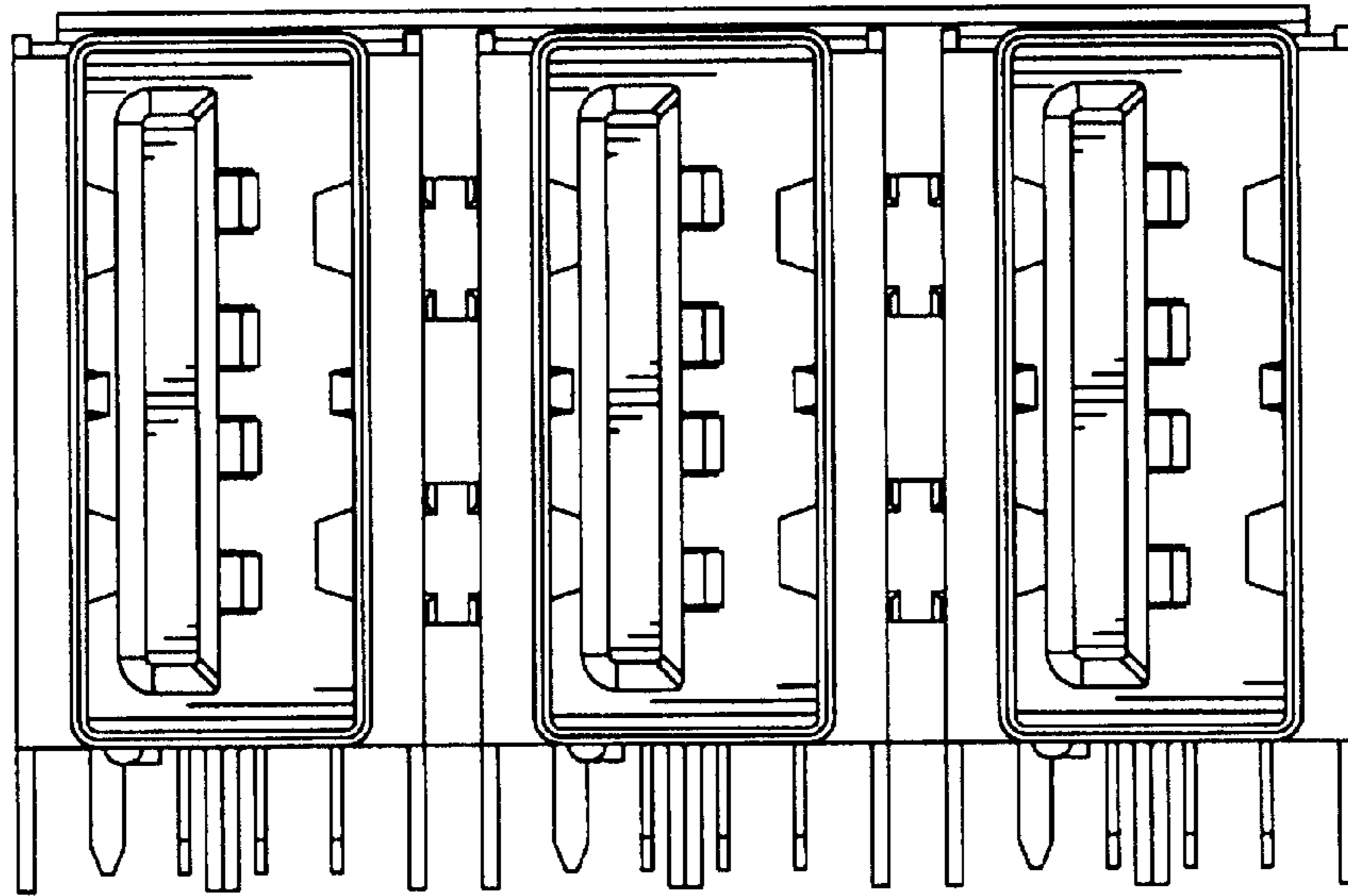


FIG. 2

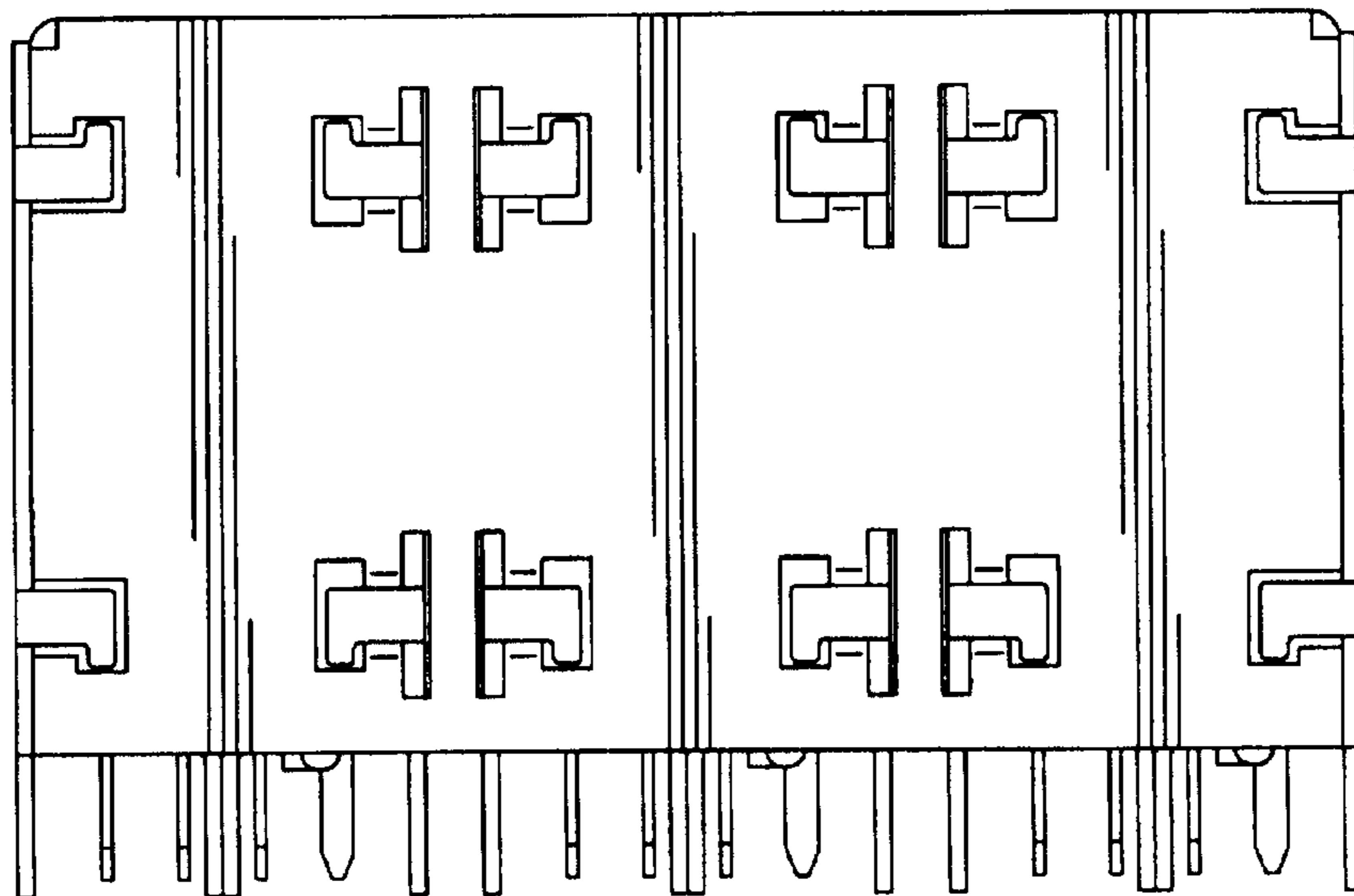


FIG. 3

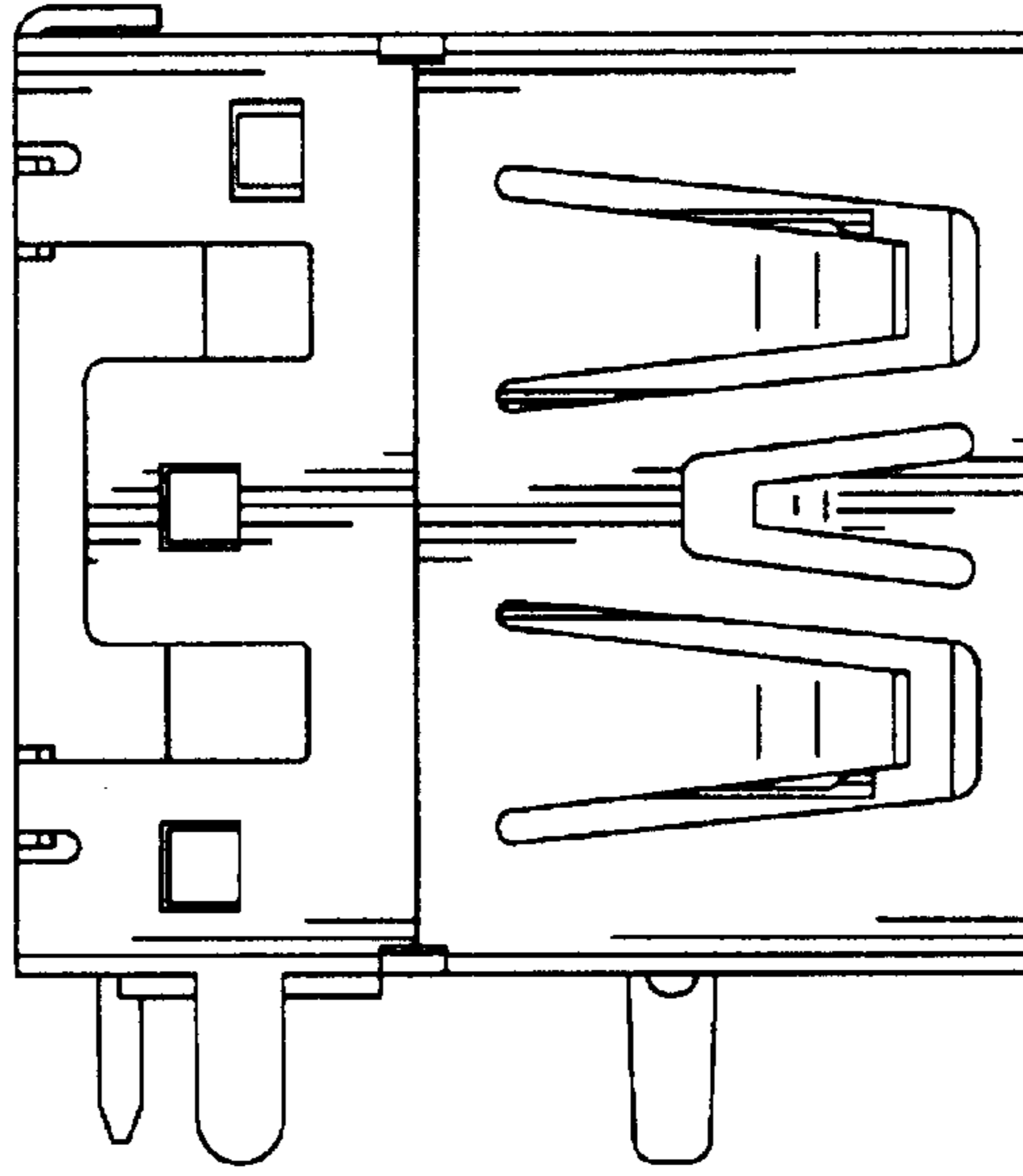


FIG. 4

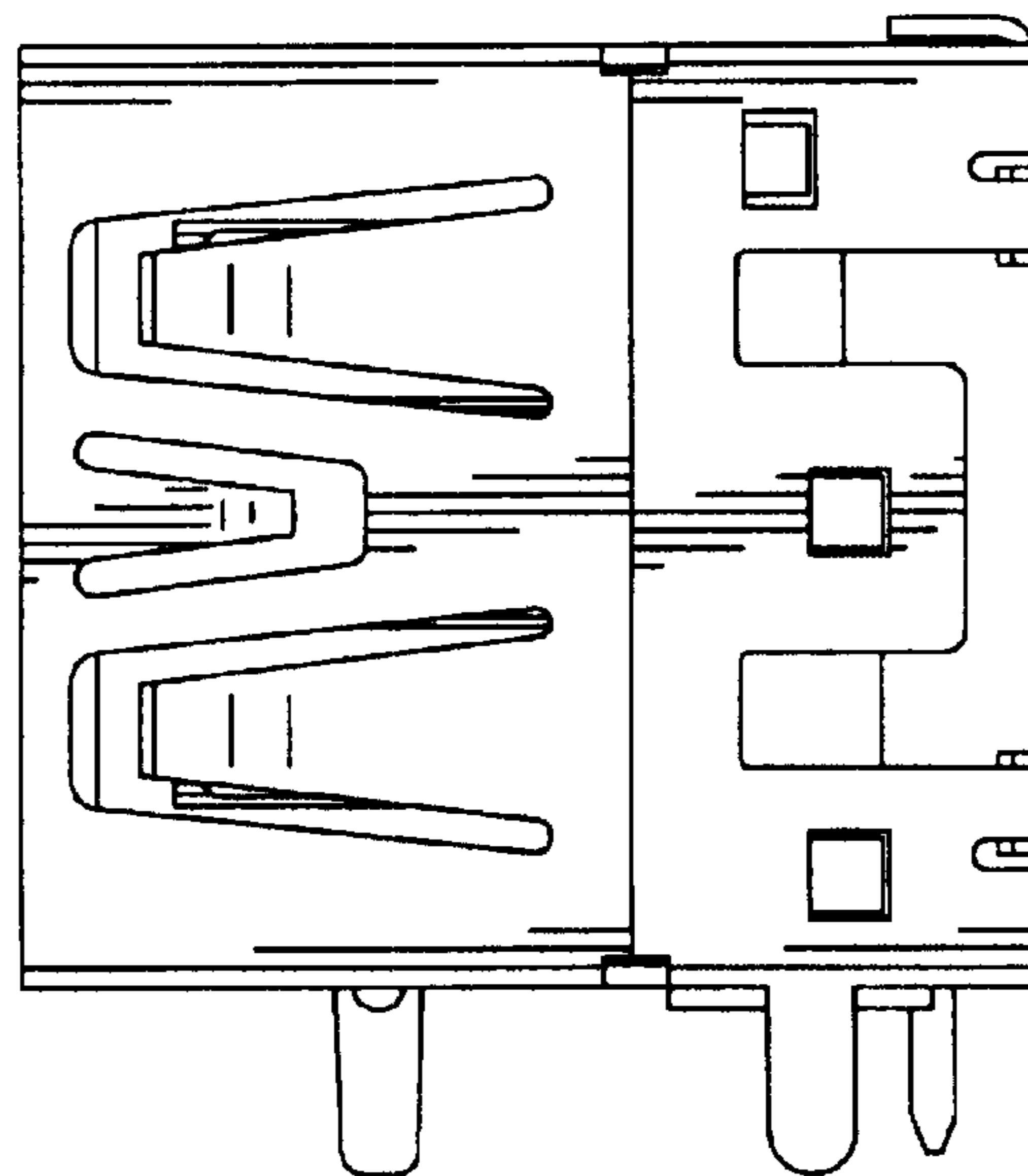


FIG. 5

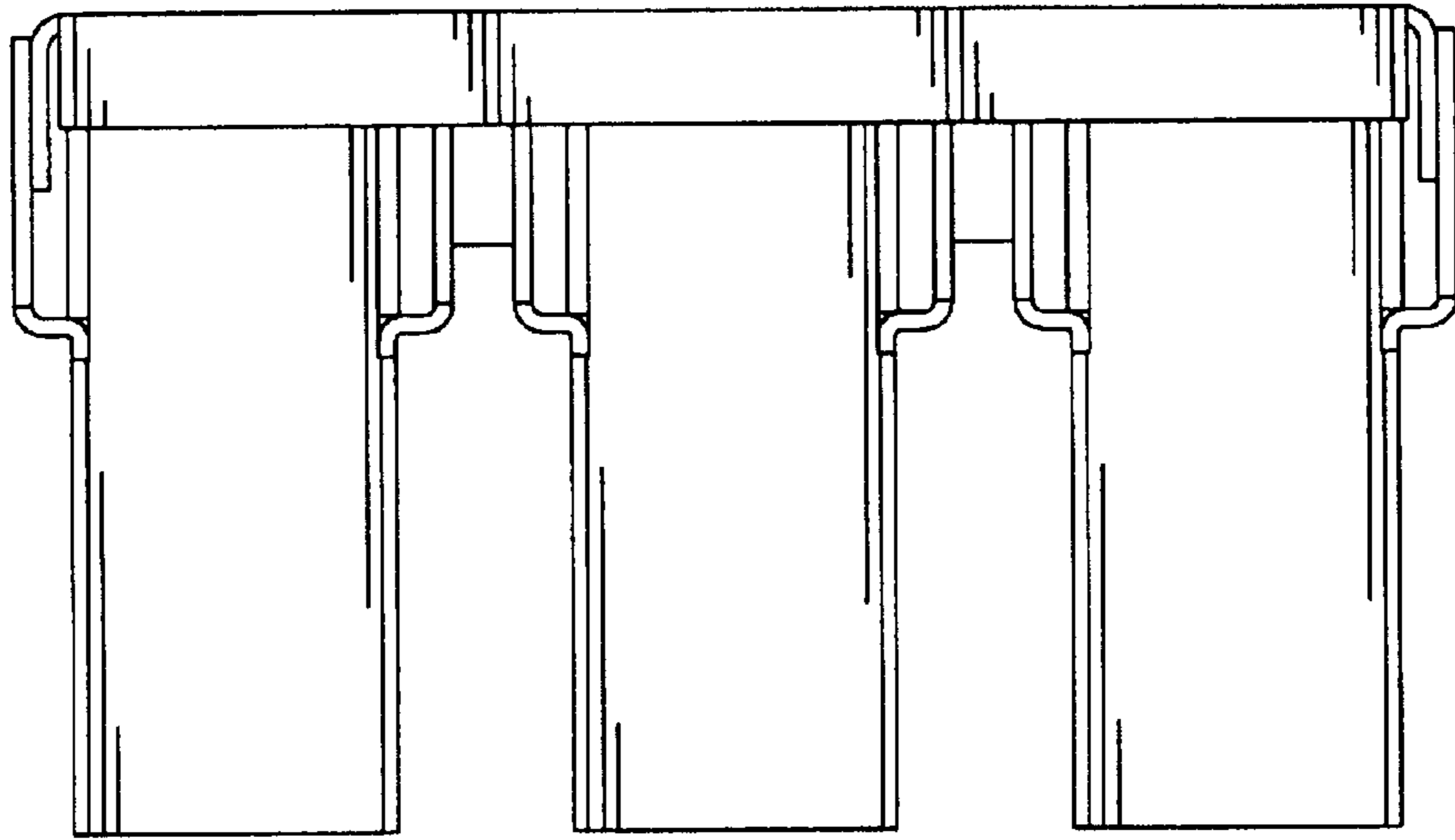


FIG. 6

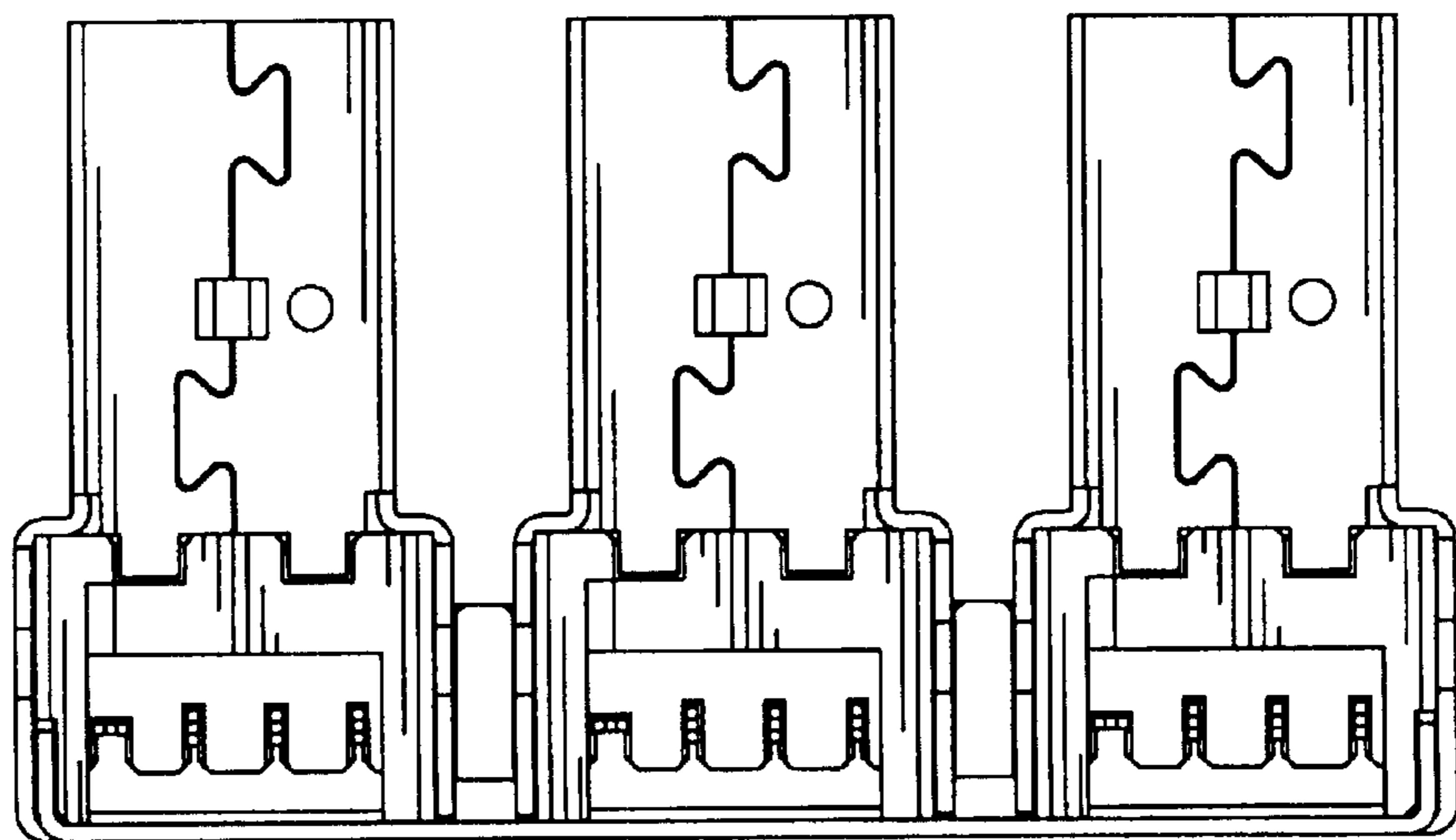


FIG. 7