



US00D466083S

(12) **United States Design Patent**  
**Zhang et al.**

(10) **Patent No.:** **US D466,083 S**

(45) **Date of Patent:** **\*\* Nov. 26, 2002**

(54) **ELECTRICAL CONNECTOR**

(75) Inventors: **Guo Zeng Zhang**, Kunsan (TW);  
**GuangXing Shi**, Kunsan (CN)

(73) Assignee: **Hon Hai Precision Ind. Co., Ltd.**,  
Taipei Hsien (TW)

(\*\*) Term: **14 Years**

(21) Appl. No.: **29/151,889**

(22) Filed: **Dec. 10, 2001**

(51) **LOC (7) Cl.** ..... **13-03**

(52) **U.S. Cl.** ..... **D13/147**

(58) **Field of Search** ..... D13/146, 147;  
439/607, 609, 939

(56) **References Cited**

**U.S. PATENT DOCUMENTS**

D260,511 S	*	9/1981	Avramovich	.....	D13/146
4,650,270 A	*	3/1987	Tajima et al.	.....	439/607
D311,724 S	*	10/1990	Huang	.....	D13/146
5,007,862 A	*	4/1991	Defibaugh et al.	.....	439/607
D430,109 S	*	8/2000	Arai	.....	D13/147

D433,664 S	*	11/2000	Arai	.....	D13/146
D436,925 S	*	1/2001	Arai	.....	D13/147
D440,943 S	*	4/2001	Arai	.....	D13/147
D441,344 S	*	5/2001	Arai	.....	D13/147
D441,345 S	*	5/2001	Arai	.....	D13/147
D448,349 S	*	9/2001	Arai	.....	D13/147

\* cited by examiner

*Primary Examiner*—Joel Sincavage

(74) *Attorney, Agent, or Firm*—Wei Te Chung

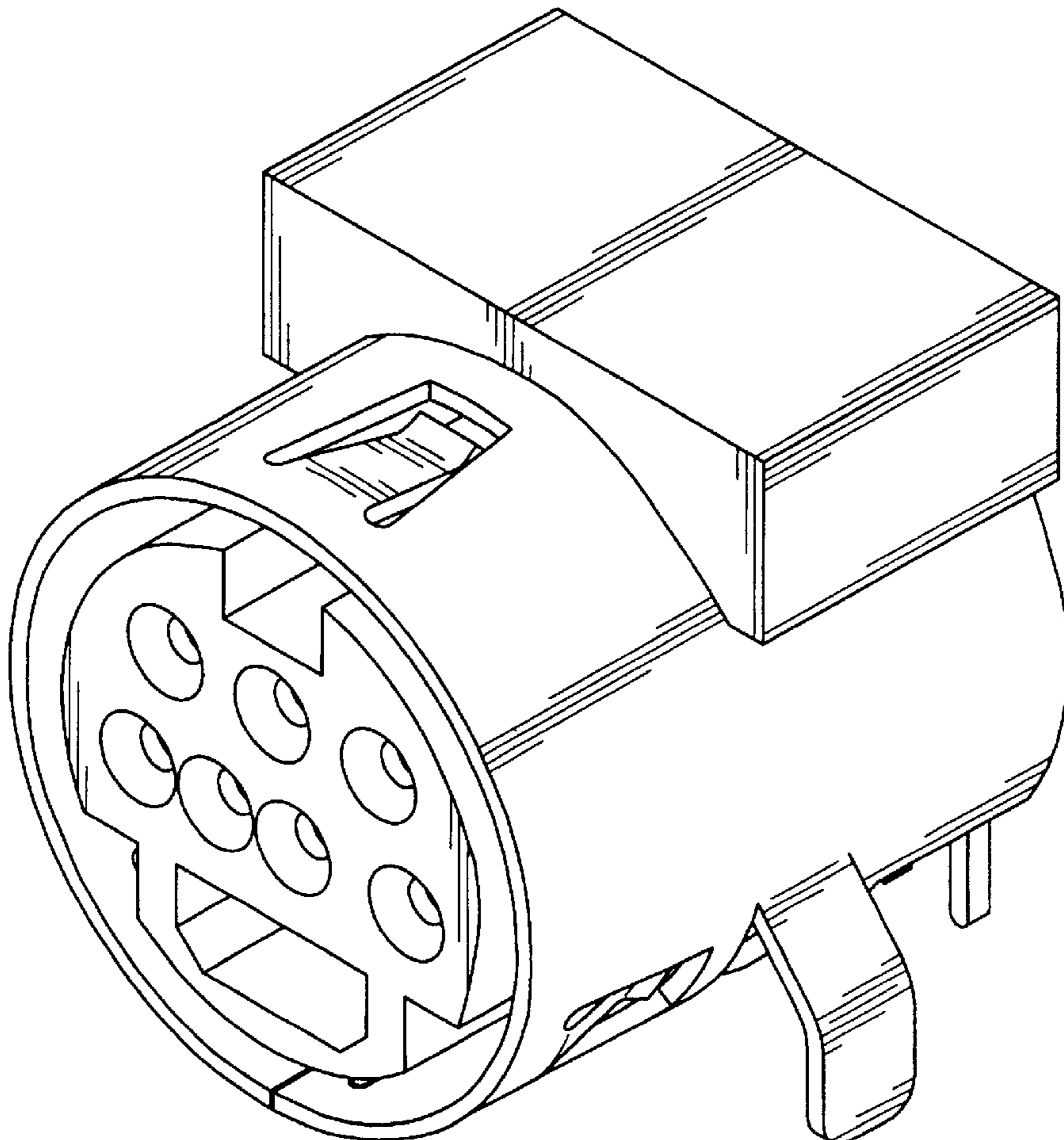
(57) **CLAIM**

The ornamental design for an electrical connector, as shown.

**DESCRIPTION**

FIG. 1 is a front, top and right side perspective view of an electrical connector showing our new design; FIG. 2 is a front elevational view thereof; FIG. 3 is a rear elevational view thereof; FIG. 4 is a left side elevational view thereof; FIG. 5 is a right side elevational view thereof; FIG. 6 is a top plan view thereof; and, FIG. 7 is a bottom plan view thereof.

**1 Claim, 7 Drawing Sheets**



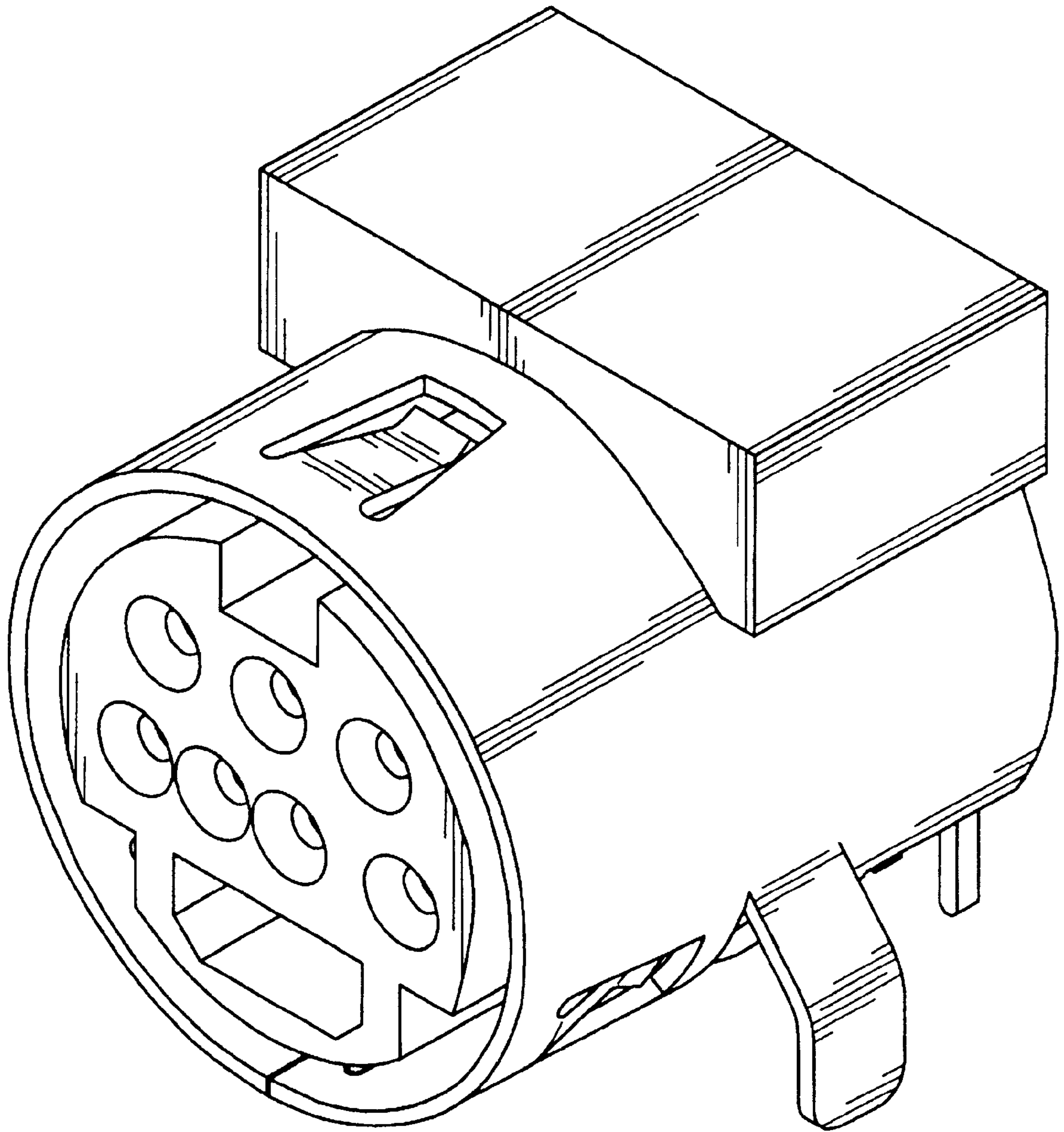


FIG. 1

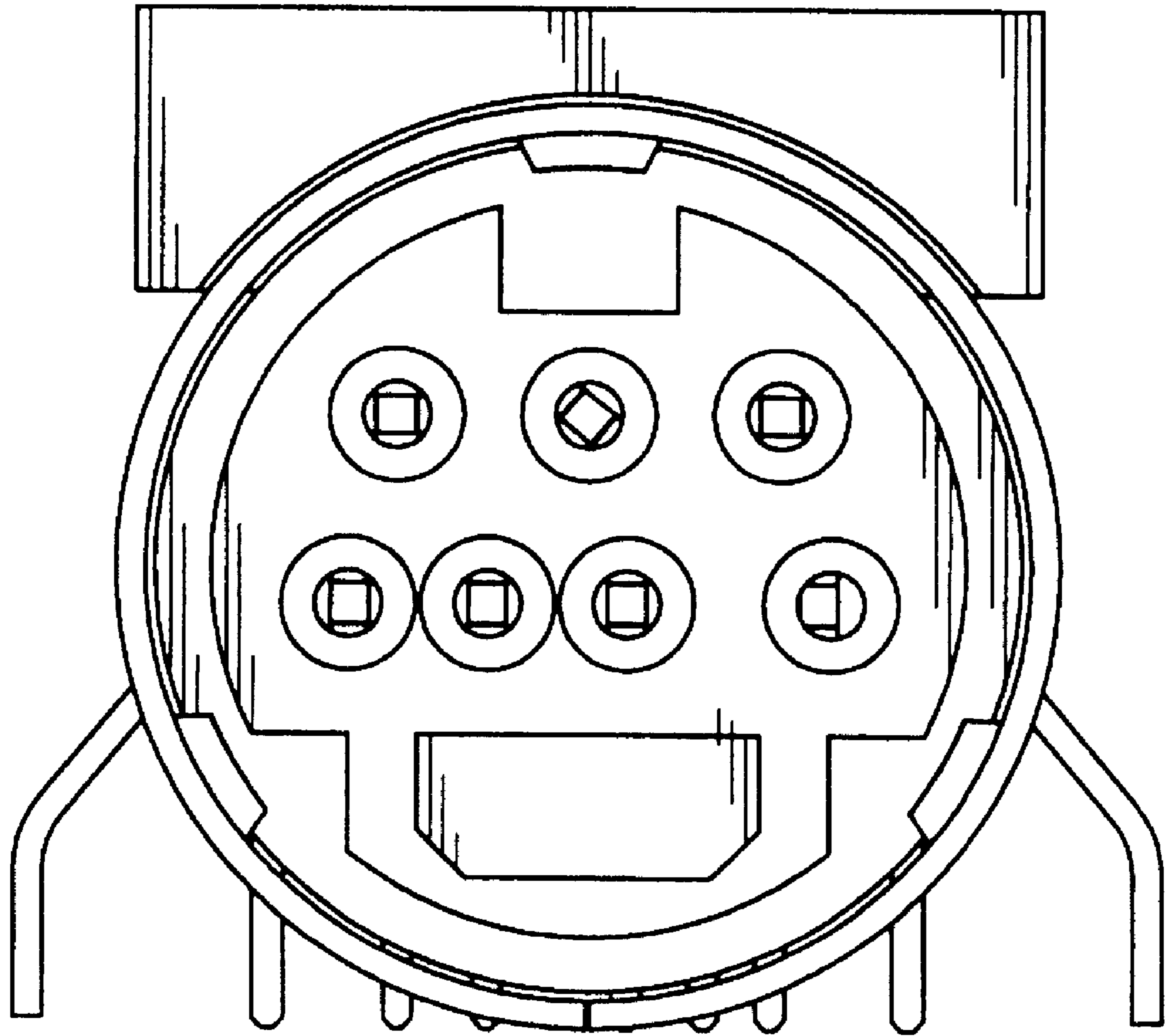


FIG. 2

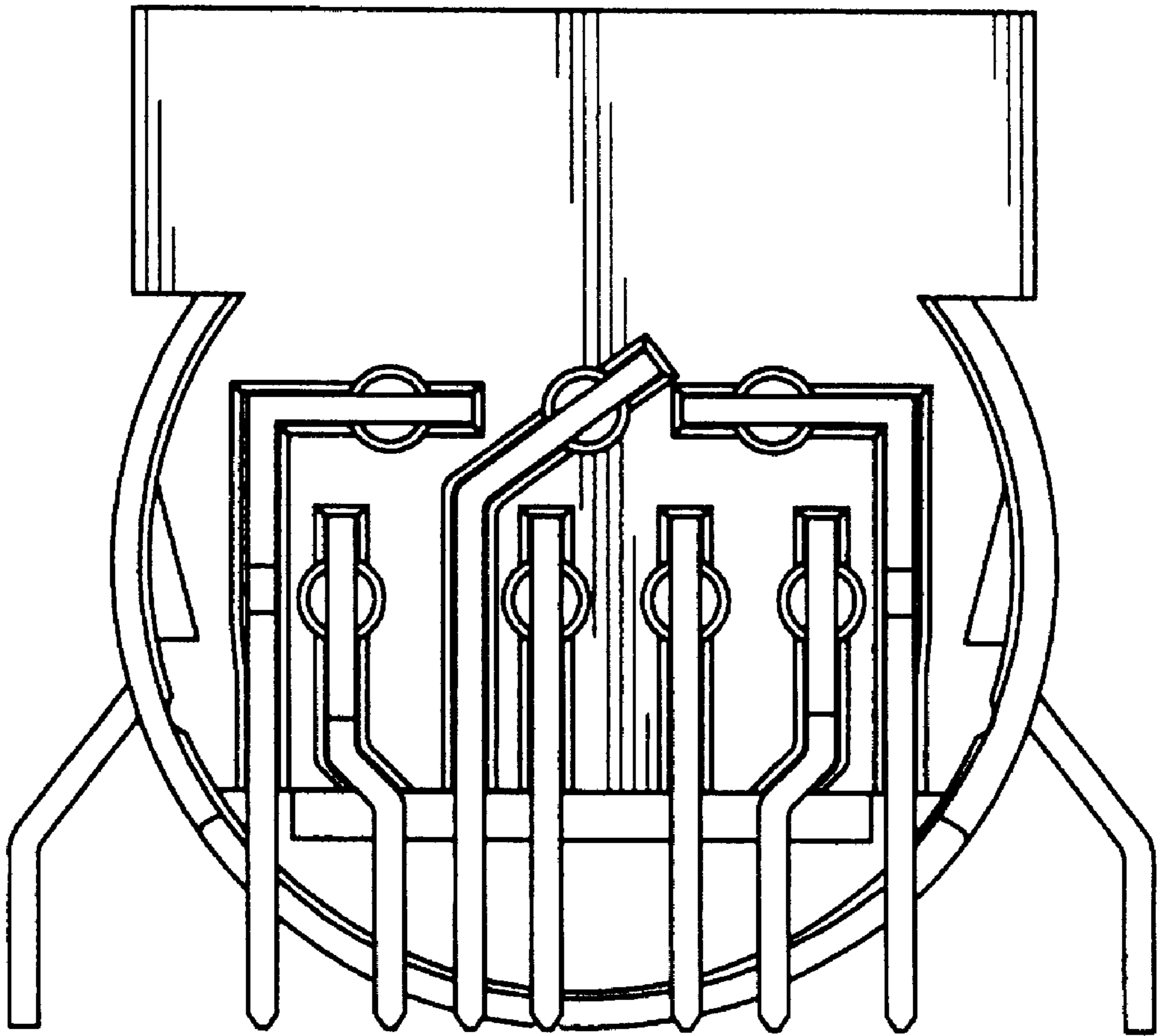


FIG. 3

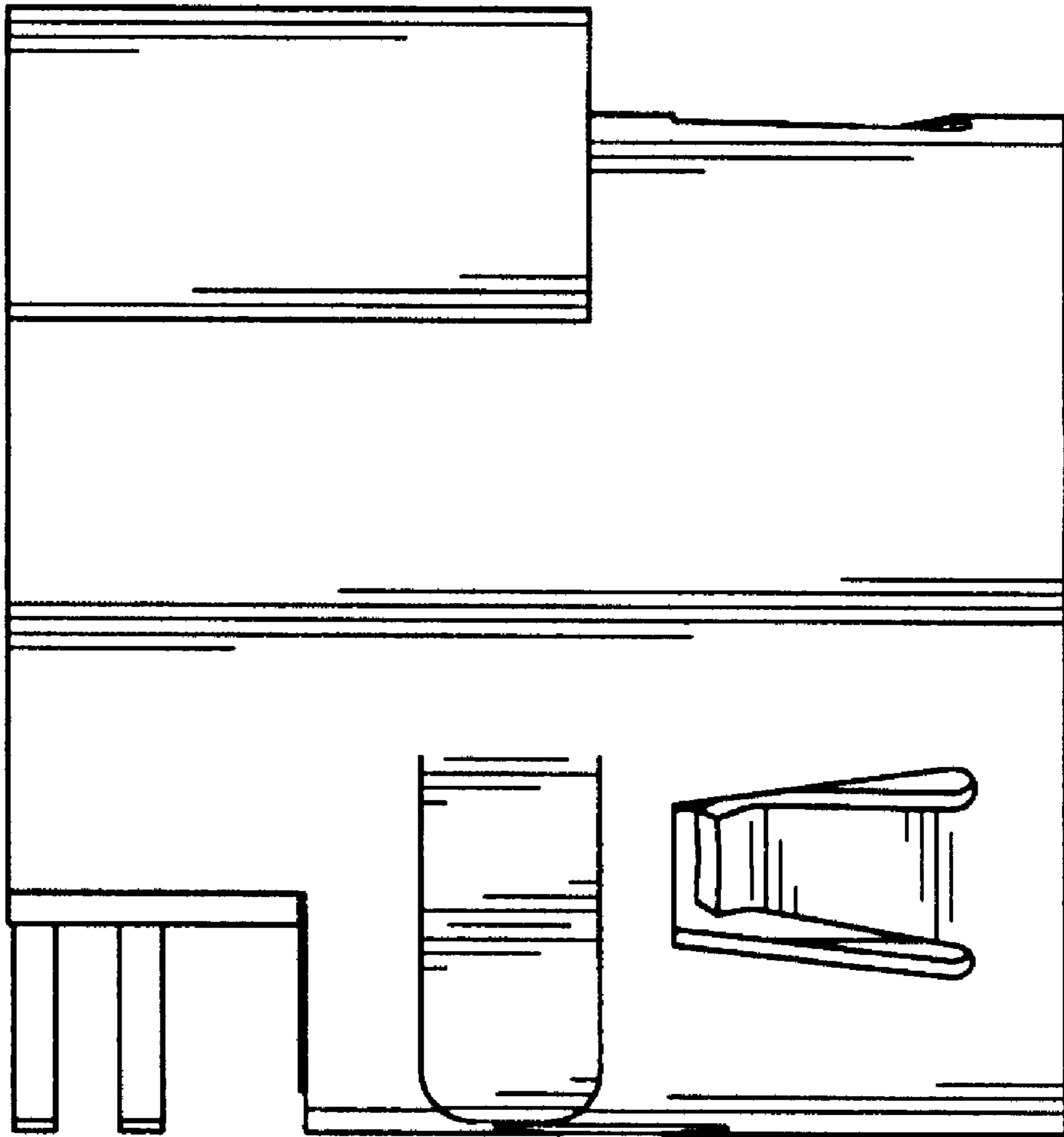


FIG. 4

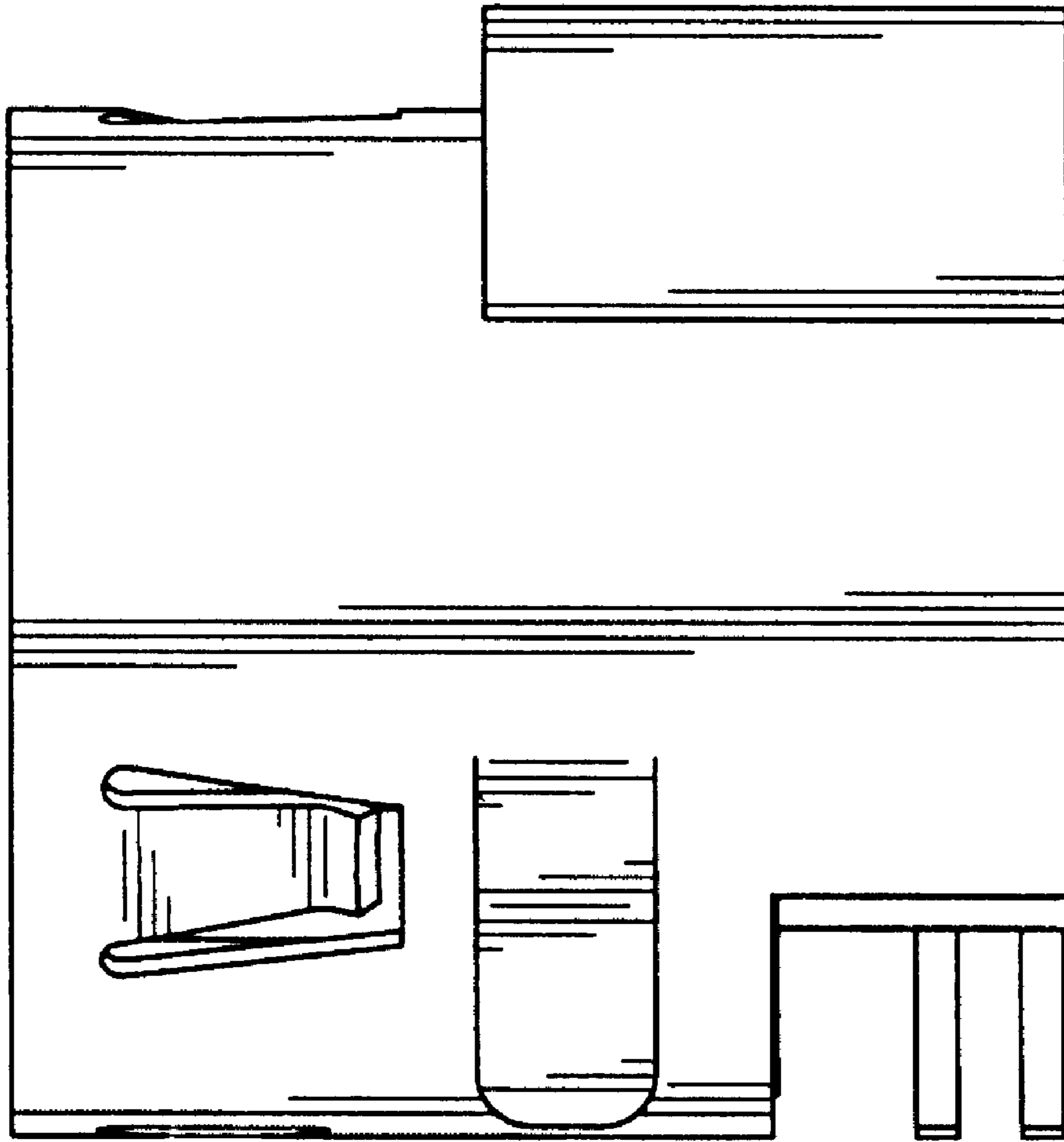


FIG. 5

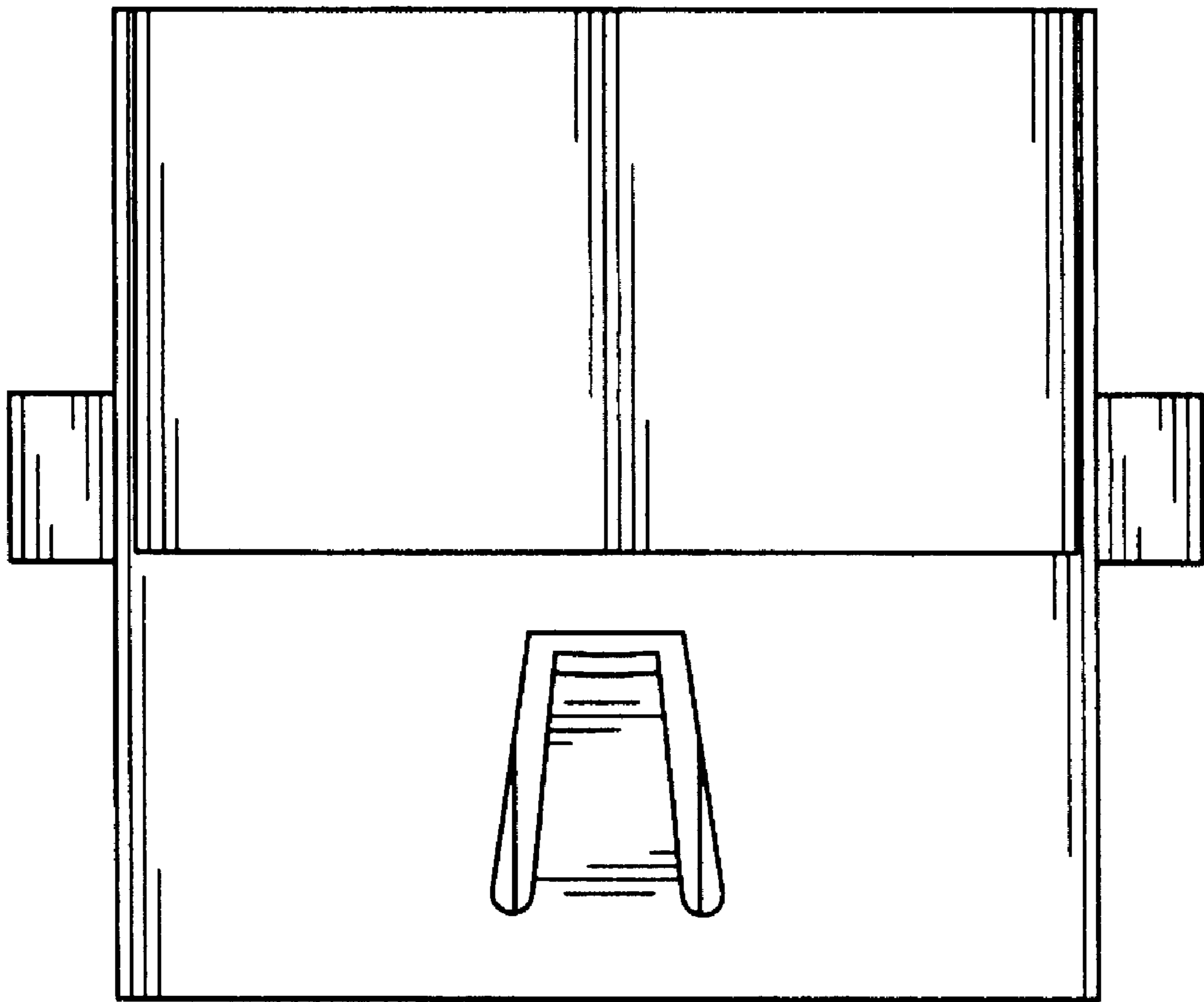


FIG. 6

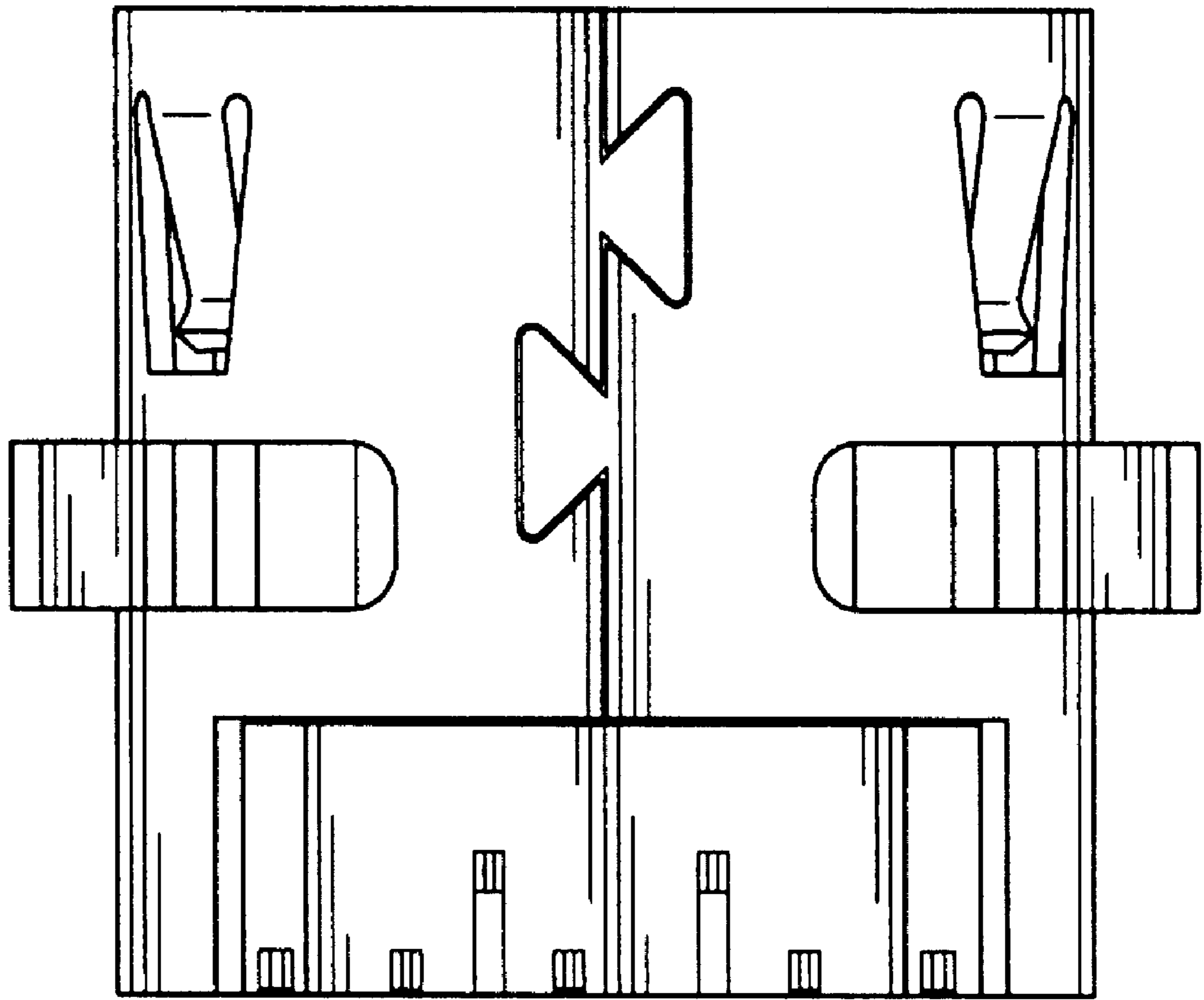


FIG. 7