



US00D466082S

(12) **United States Design Patent**  
**Hu et al.**

(10) **Patent No.:** **US D466,082 S**

(45) **Date of Patent:** **\*\* Nov. 26, 2002**

(54) **ELECTRICAL CONNECTOR**

(75) Inventors: **JinKui Hu**, Kunsan (CN); **ZiQiang Zhu**, Kunsan (CN)

(73) Assignee: **Hon Hai Precision Ind. Co., Ltd.**,  
Taipei Hsien (TW)

(\*\*) Term: **14 Years**

(21) Appl. No.: **29/151,387**

(22) Filed: **Dec. 4, 2001**

(51) **LOC (7) Cl.** ..... **13-03**

(52) **U.S. Cl.** ..... **D13/147**

(58) **Field of Search** ..... D13/146, 147;  
439/108, 607, 609

(56) **References Cited**

**U.S. PATENT DOCUMENTS**

D391,551 S	*	3/1998	Ono	.....	D13/147
D427,567 S	*	7/2000	Nishio et al.	.....	D13/147
D433,666 S	*	11/2000	Yang	.....	D13/147
6,299,487 B1	*	10/2001	Lopata et al.	.....	439/607 X
D450,302 S	*	11/2001	Shimojyo	.....	D13/147

6,315,608 B1	*	11/2001	Lopata et al.	.....	439/607
D452,848 S	*	1/2002	Shimojyo	.....	D13/147
6,347,961 B2	*	2/2002	Zhu et al.	.....	439/607
6,368,154 B1	*	4/2002	Hirata et al.	.....	439/609
6,379,184 B1	*	4/2002	Bassler et al.	.....	439/607
2001/0049227 A1	*	12/2001	Zhu et al.	.....	439/607

\* cited by examiner

*Primary Examiner*—Joel Sincavage

(74) *Attorney, Agent, or Firm*—Wei Te Chung

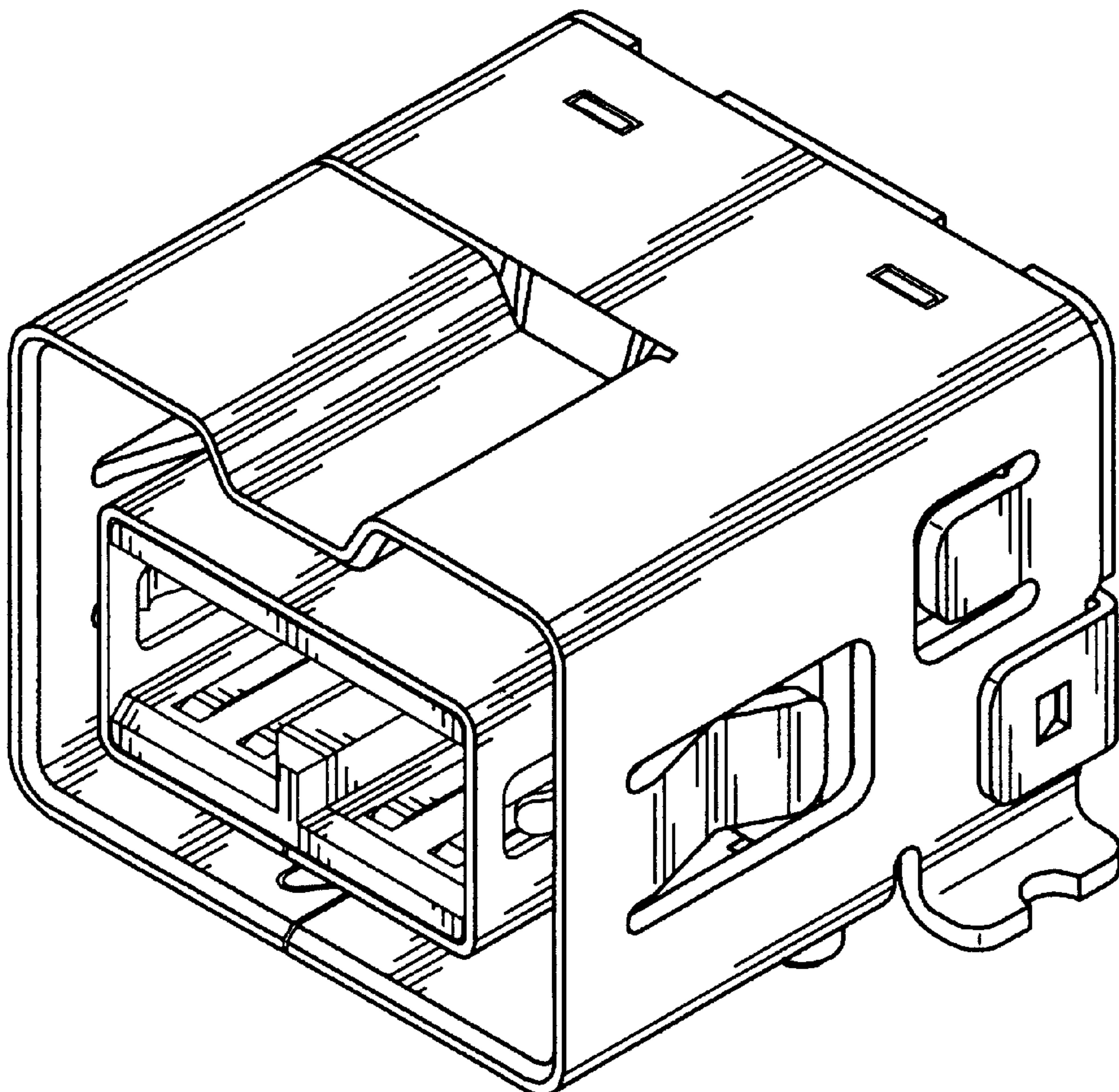
(57) **CLAIM**

The ornamental design for an electrical connector, as shown.

**DESCRIPTION**

FIG. 1 is a front, top and right side perspective view of an electrical connector showing our new design; FIG. 2 is a front elevational view thereof; FIG. 3 is a rear elevational view thereof; FIG. 4 is a left side elevational view thereof; FIG. 5 is a right side elevational view thereof; FIG. 6 is a top plan view thereof; and, FIG. 7 is a bottom plan view thereof.

**1 Claim, 7 Drawing Sheets**



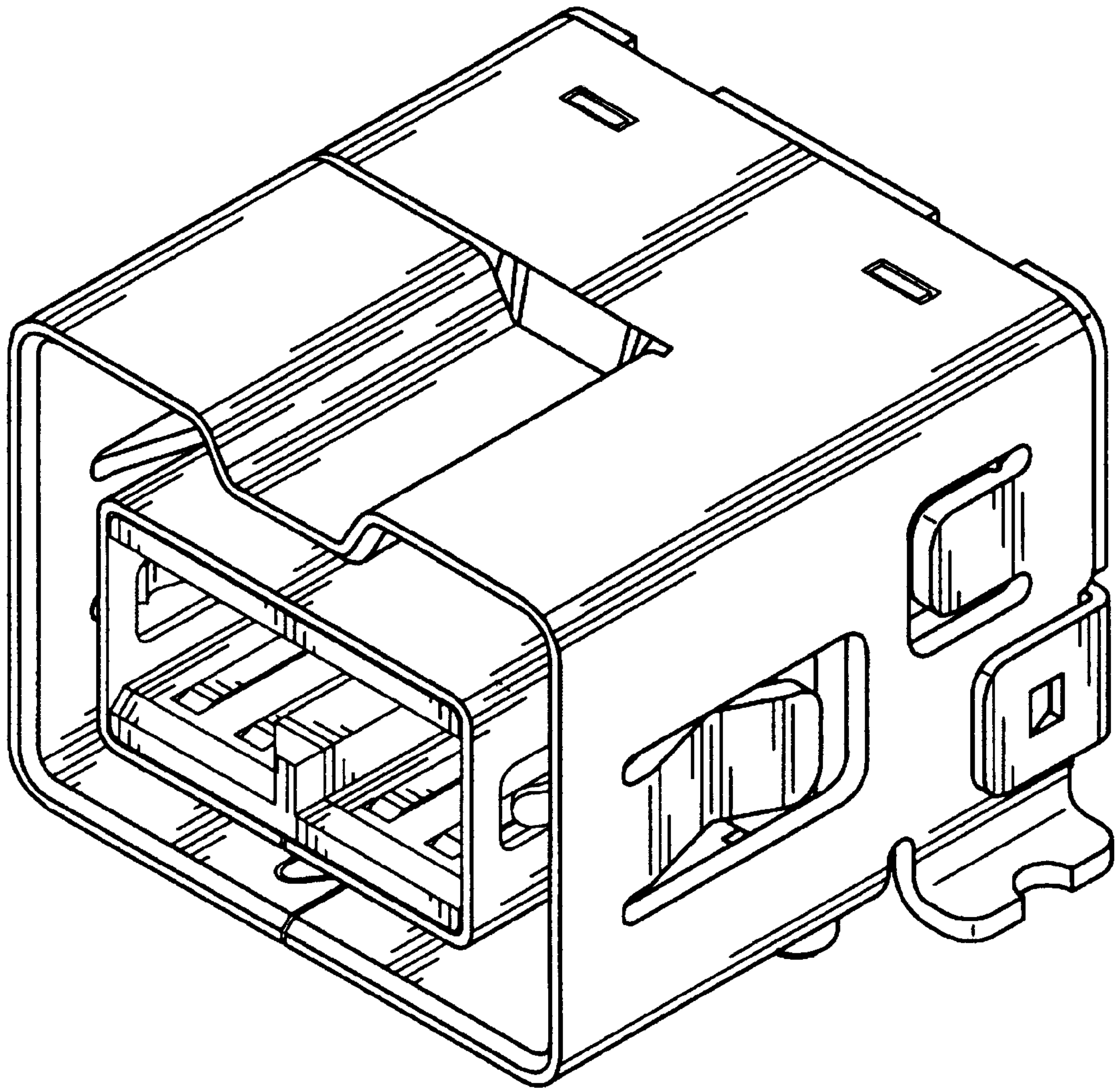


FIG. 1

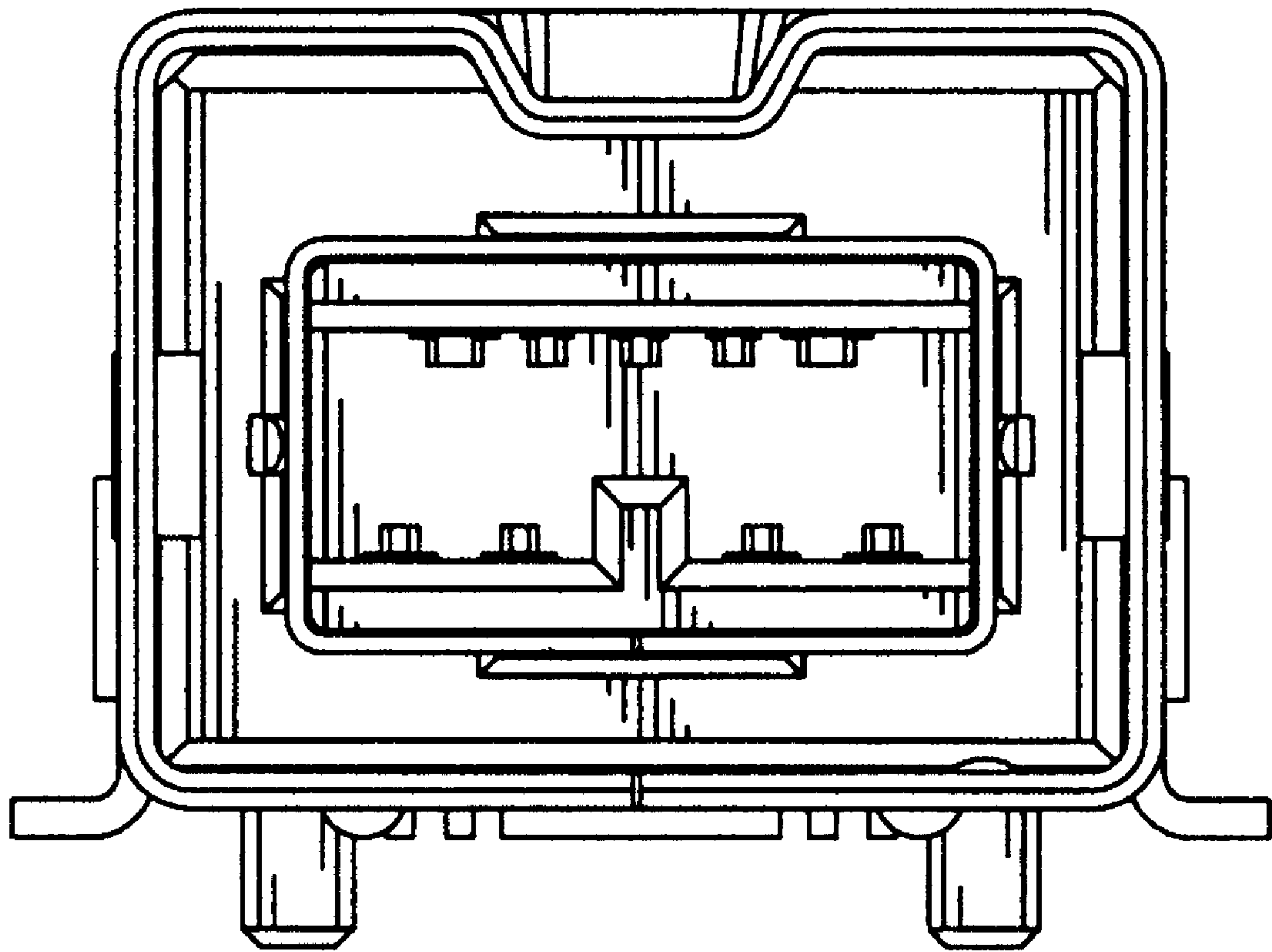


FIG. 2

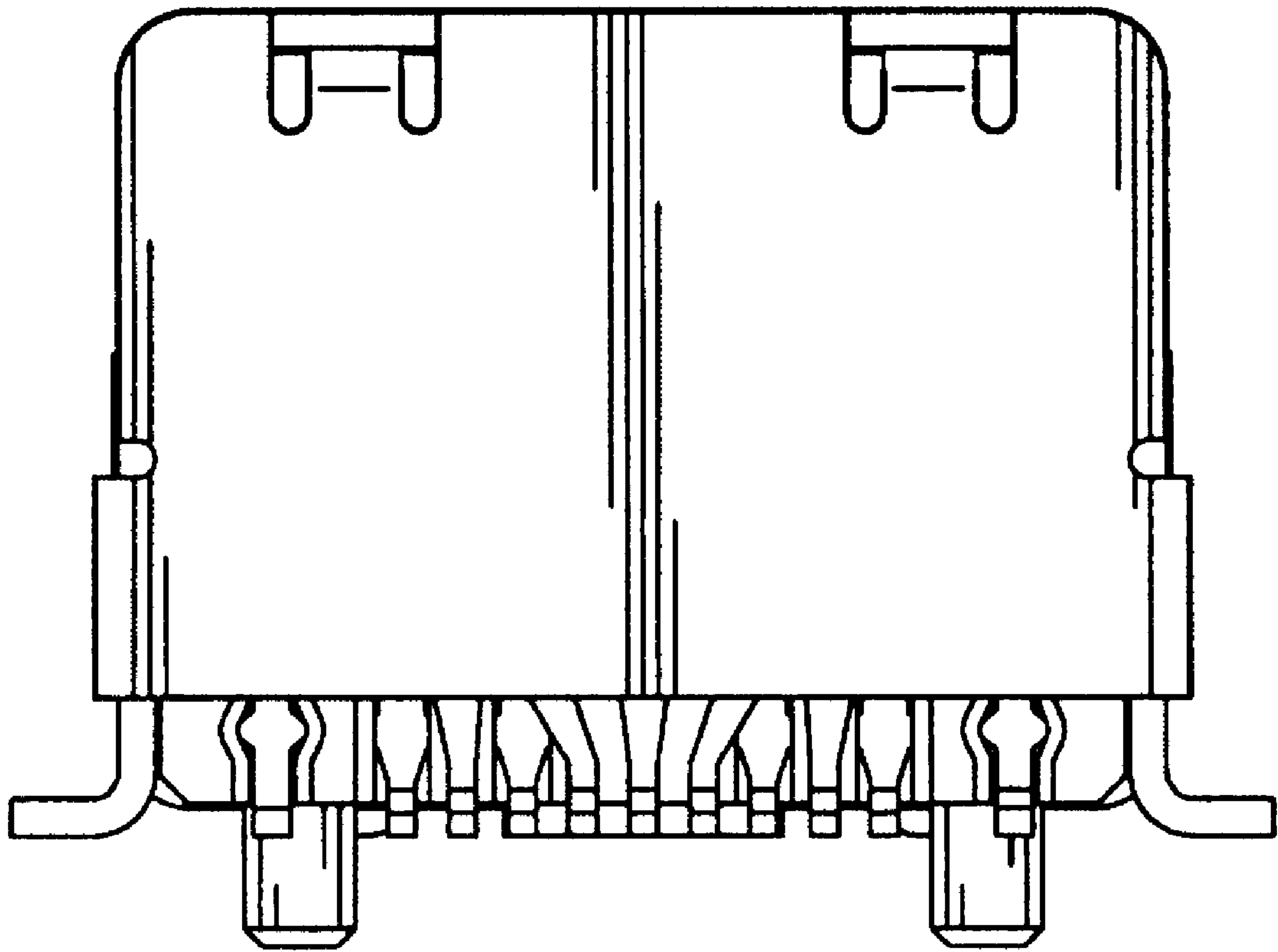


FIG. 3

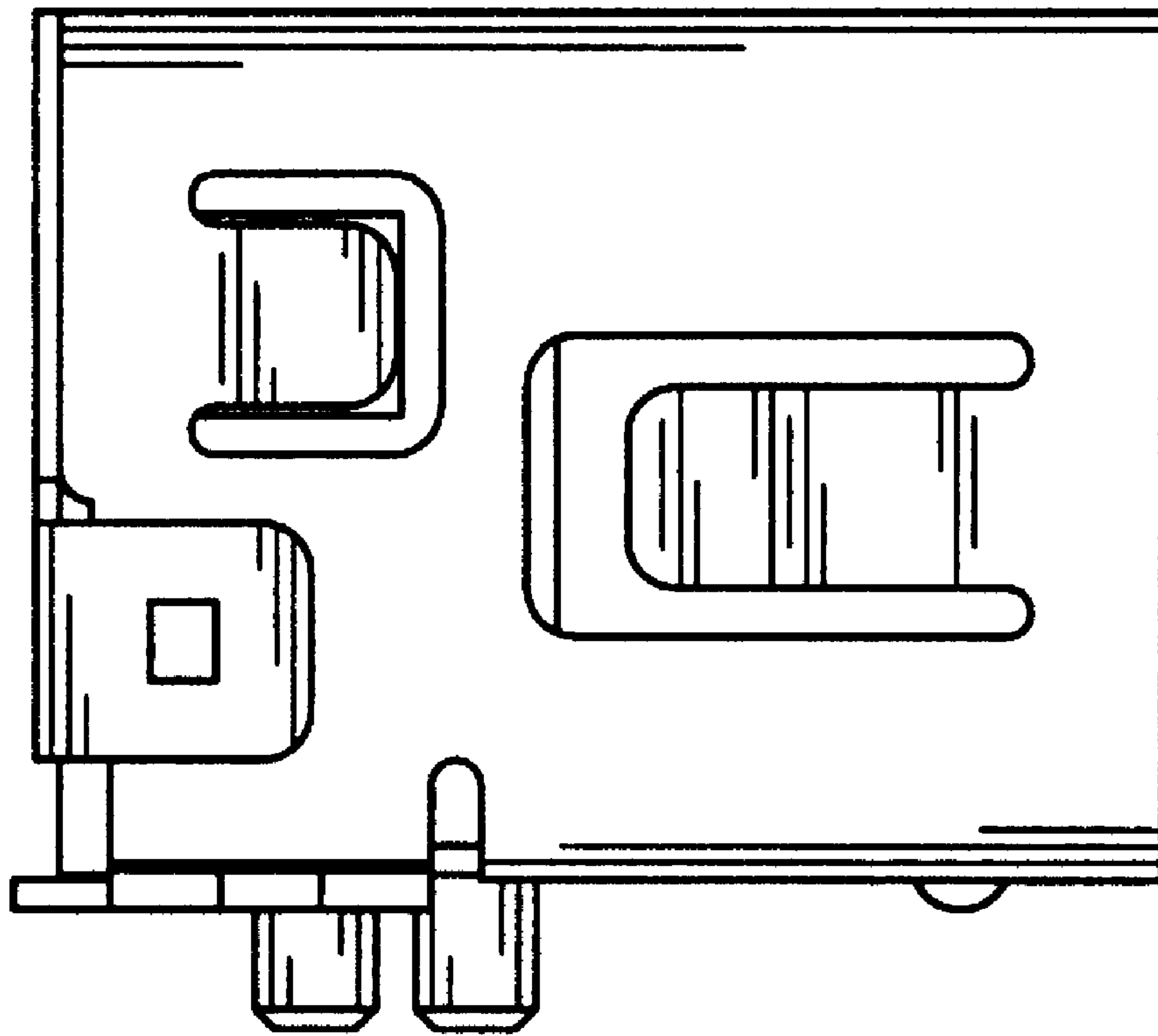


FIG. 4

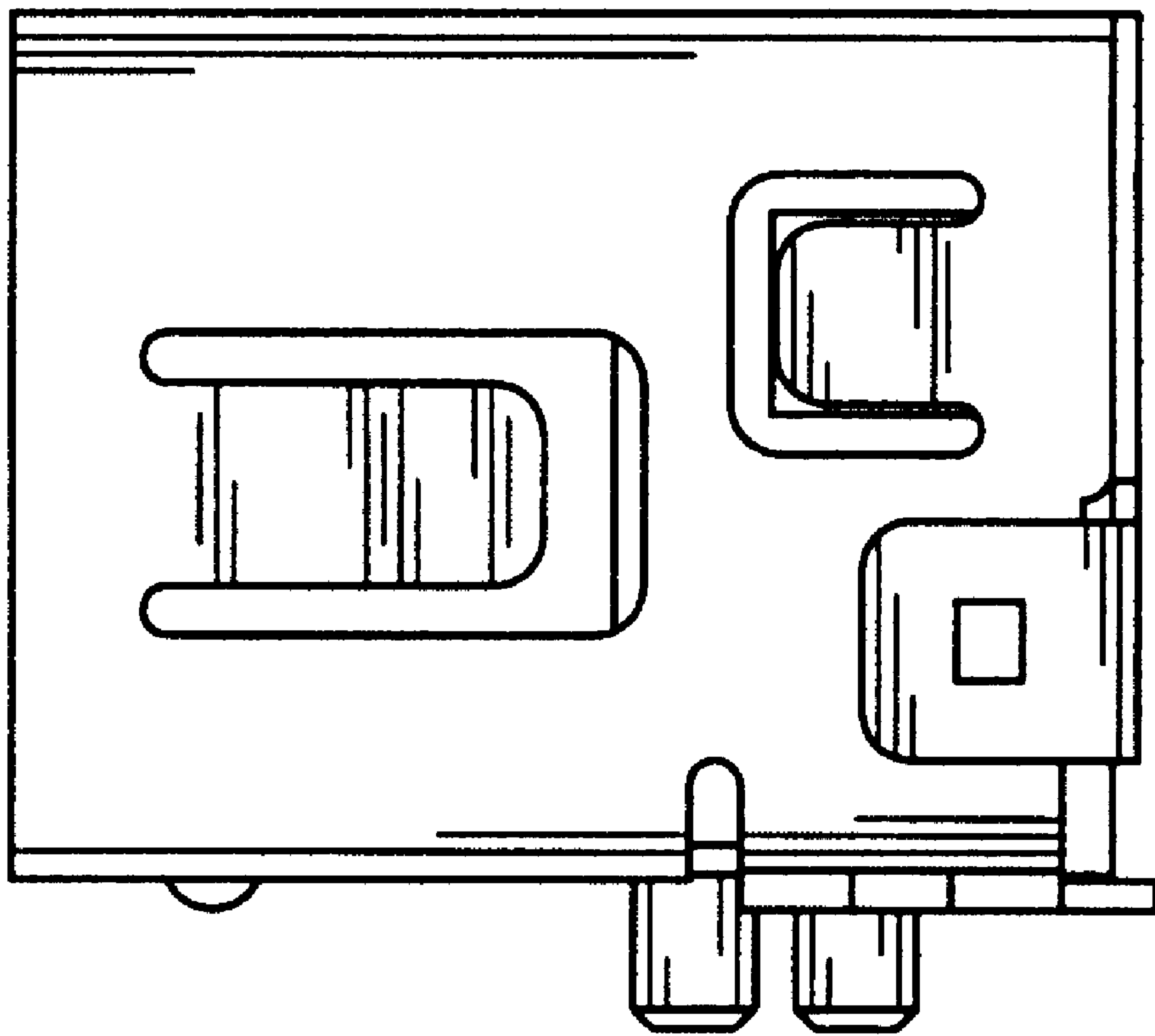


FIG. 5



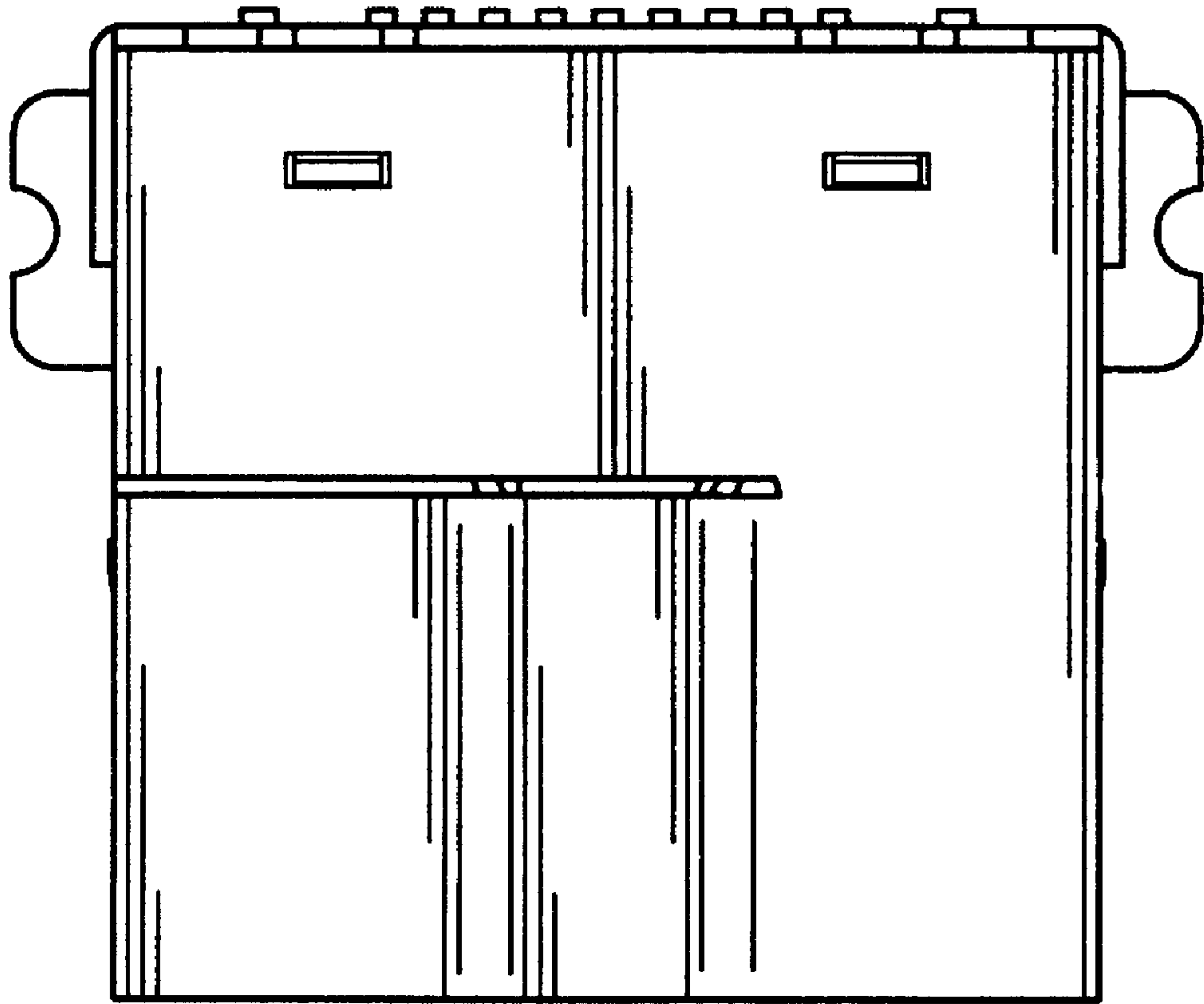


FIG. 6

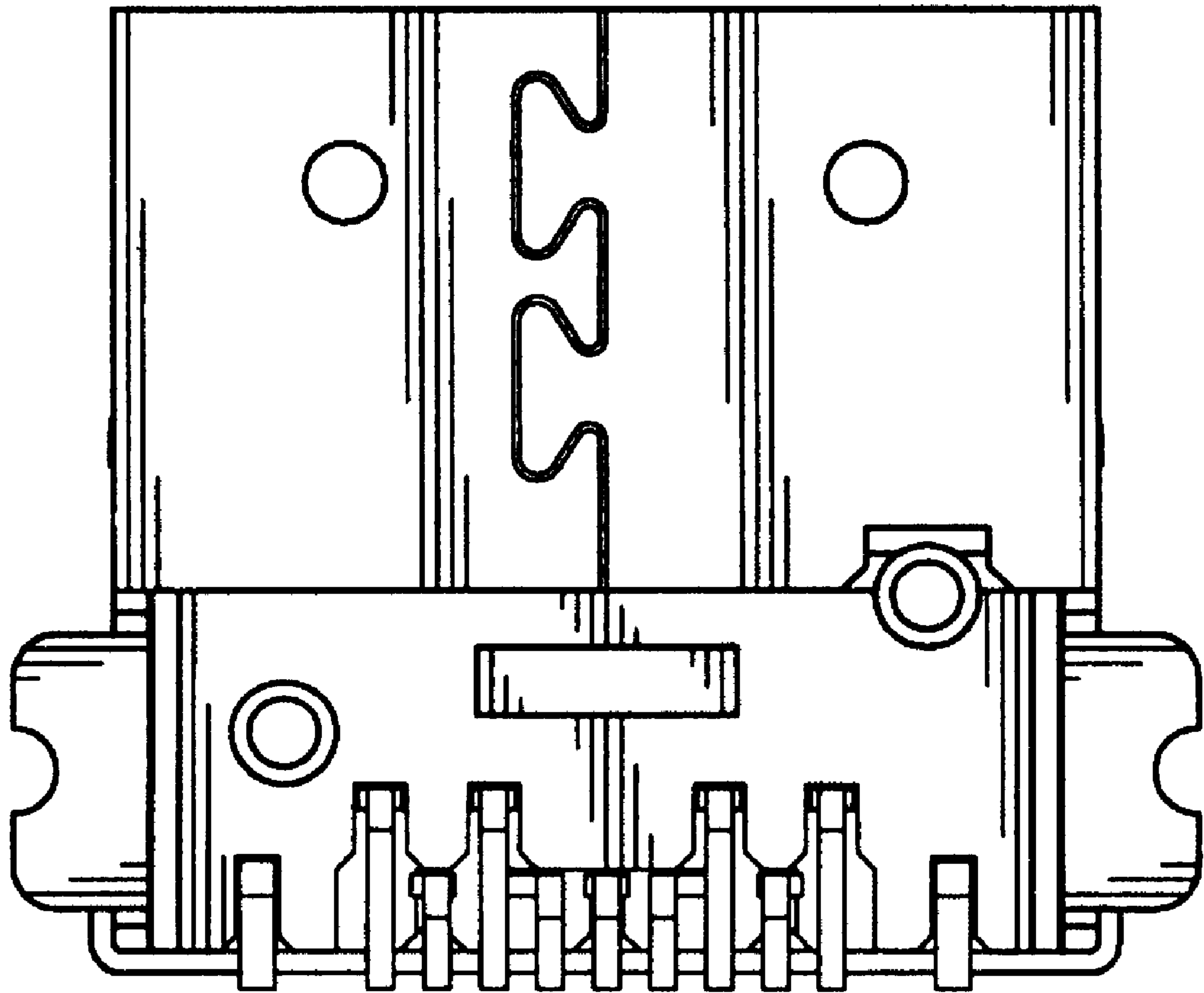


FIG. 7