



US00D466081S

(12) **United States Design Patent**  
**Zhu et al.**

(10) **Patent No.:** **US D466,081 S**

(45) **Date of Patent:** **\*\* Nov. 26, 2002**

(54) **ELECTRICAL CONNECTOR**

(75) Inventors: **ZiQiang Zhu**, Kunsan (CN); **Lun Song Hu**, Kunsan (CN)

(73) Assignee: **Hon Hai Precision Ind. Co., Ltd.**,  
Taipei Hsien (TW)

(\*\*) Term: **14 Years**

(21) Appl. No.: **29/150,772**

(22) Filed: **Nov. 28, 2001**

(51) **LOC (7) Cl.** ..... **13-03**

(52) **U.S. Cl.** ..... **D13/147**

(58) **Field of Search** ..... D13/146, 147;  
439/108, 607, 609

(56) **References Cited**

**U.S. PATENT DOCUMENTS**

D345,343 S	*	3/1994	Nakamura	.....	D13/147
5,725,386 A	*	3/1998	Davis et al.	.....	439/607 X
D410,227 S	*	5/1999	Wu et al.	.....	D13/147
D410,434 S	*	6/1999	Wu	.....	D13/147
5,975,954 A	*	11/1999	Wu et al.	.....	439/607

6,109,935 A	*	8/2000	Yang	.....	439/80
6,135,790 A	*	10/2000	Huang et al.	.....	439/607 X
D433,667 S	*	11/2000	Li et al.	.....	D13/147
6,186,830 B1	*	2/2001	Lin et al.	.....	439/607
D447,466 S	*	9/2001	Chen et al.	.....	D13/147
6,364,708 B1	*	4/2002	Chen et al.	.....	439/607

\* cited by examiner

*Primary Examiner*—Joel Sincavage

(74) *Attorney, Agent, or Firm*—Wei Te Chung

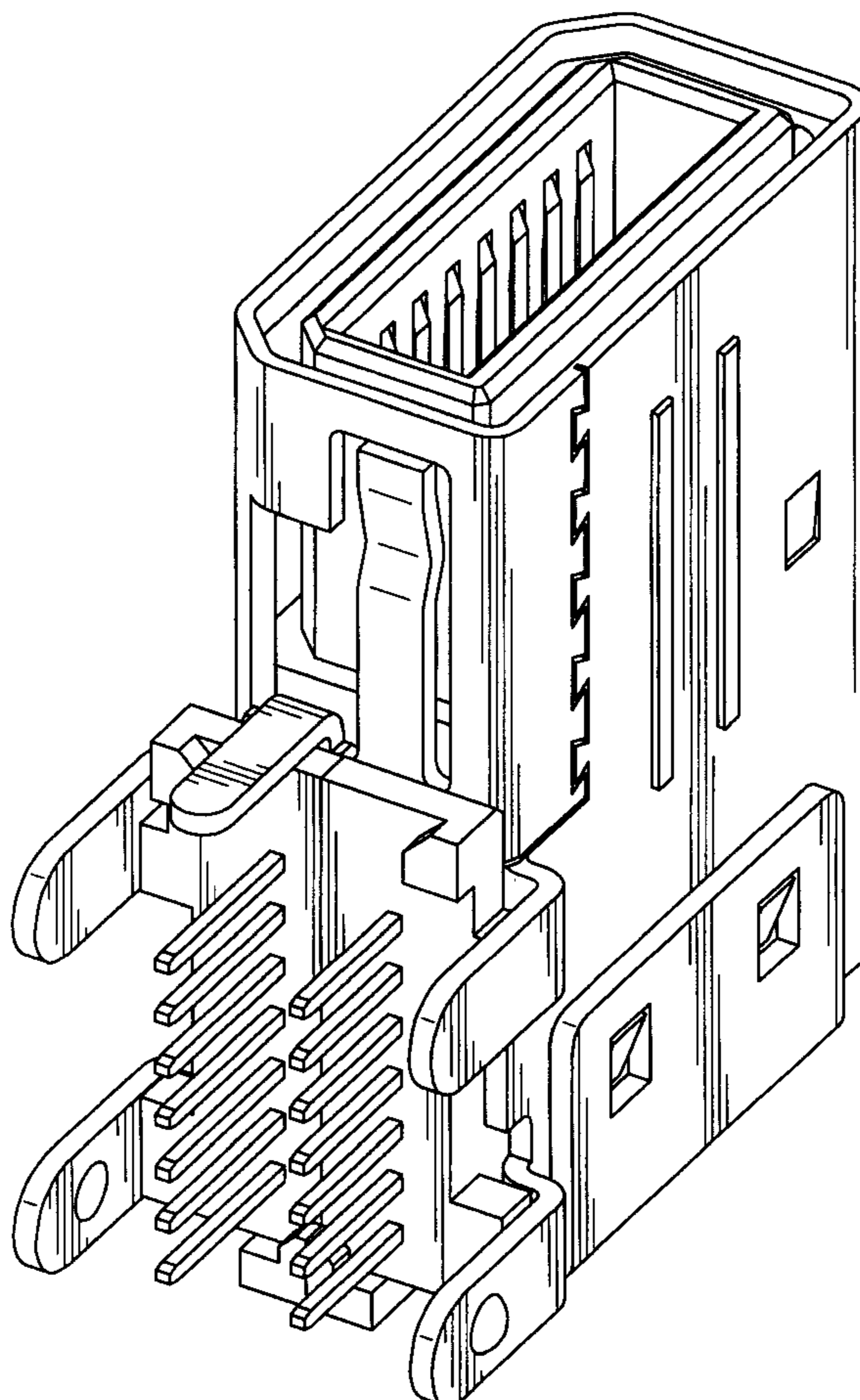
(57) **CLAIM**

The ornamental design for an electrical connector, as shown.

**DESCRIPTION**

FIG. 1 is a front, bottom and right side perspective view of an electrical connector showing our new design; FIG. 2 is a front elevational view thereof; FIG. 3 is a rear elevational view thereof; FIG. 4 is a left side elevational view thereof; FIG. 5 is a right side elevational view thereof; FIG. 6 is a top plan view thereof; and, FIG. 7 is a bottom plan view thereof.

**1 Claim, 7 Drawing Sheets**



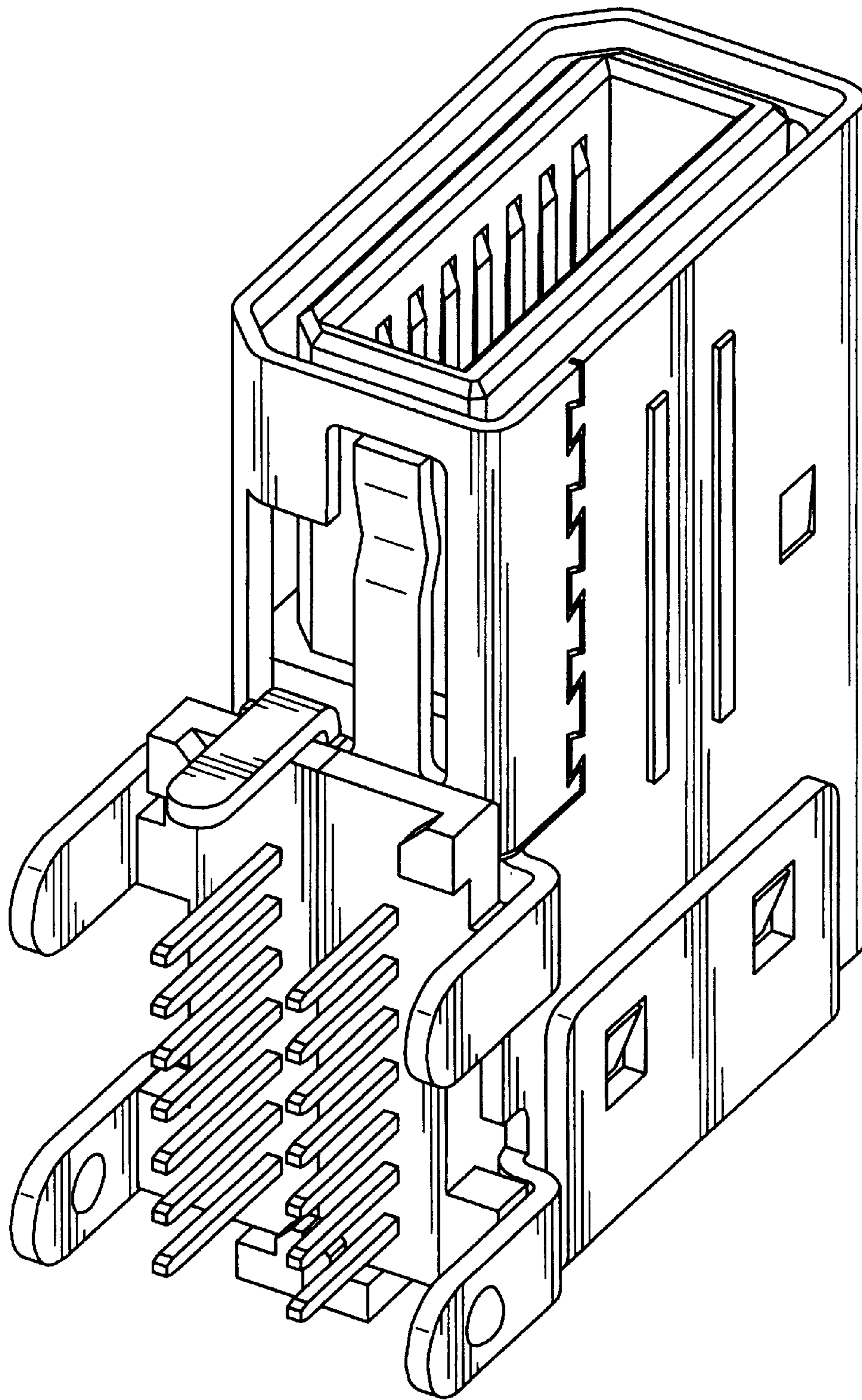


FIG. 1

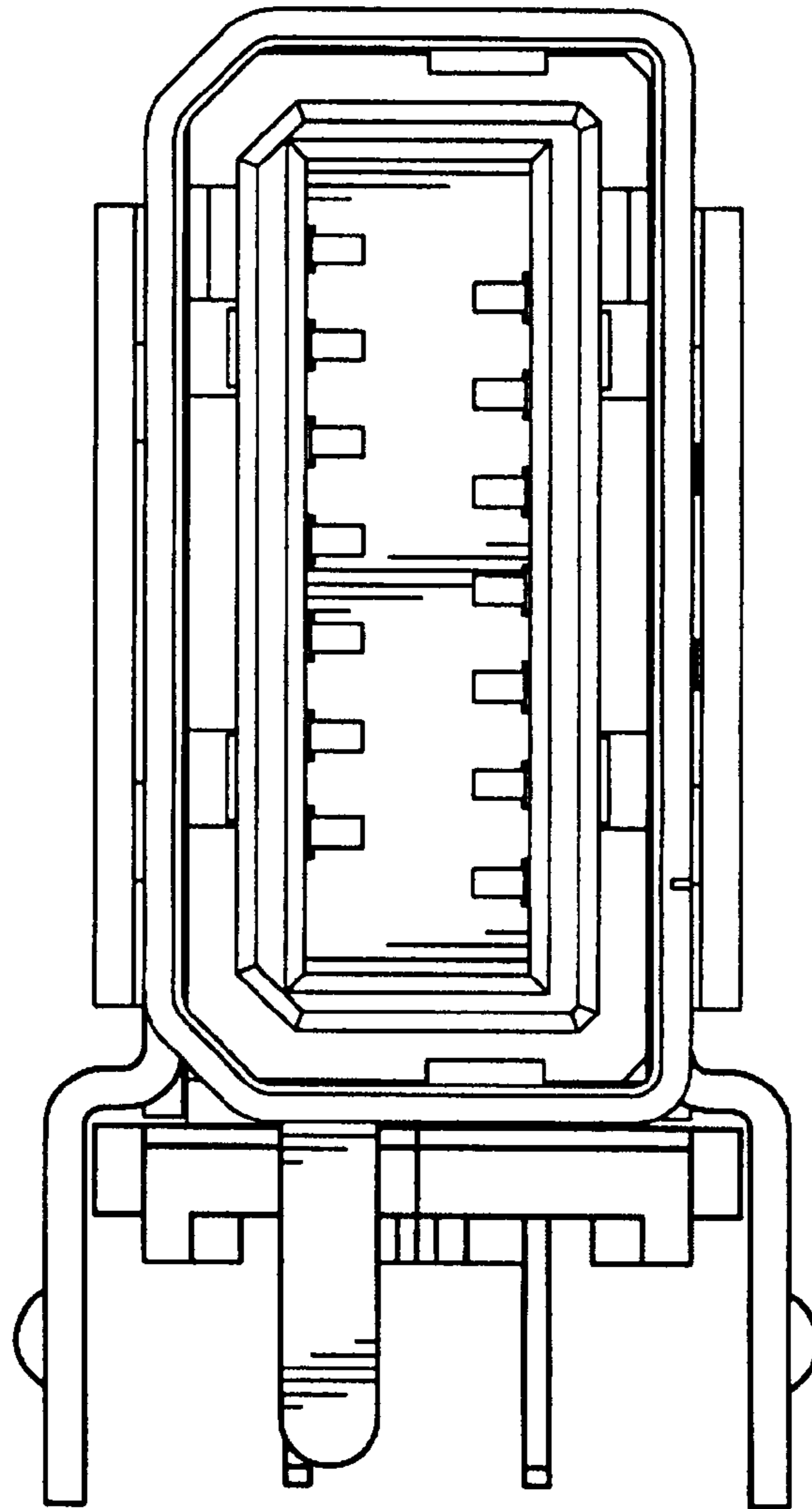


FIG. 2

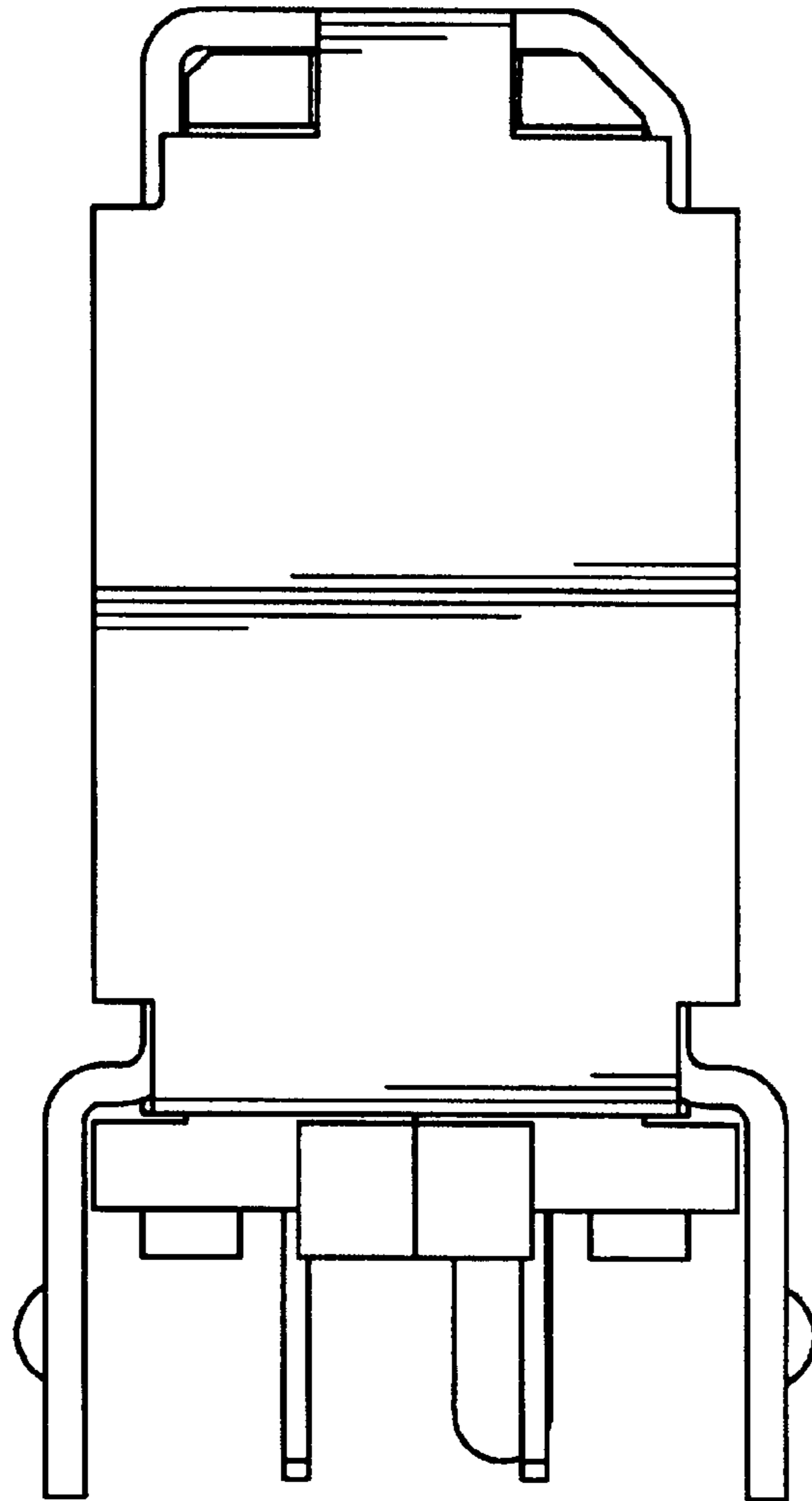


FIG. 3

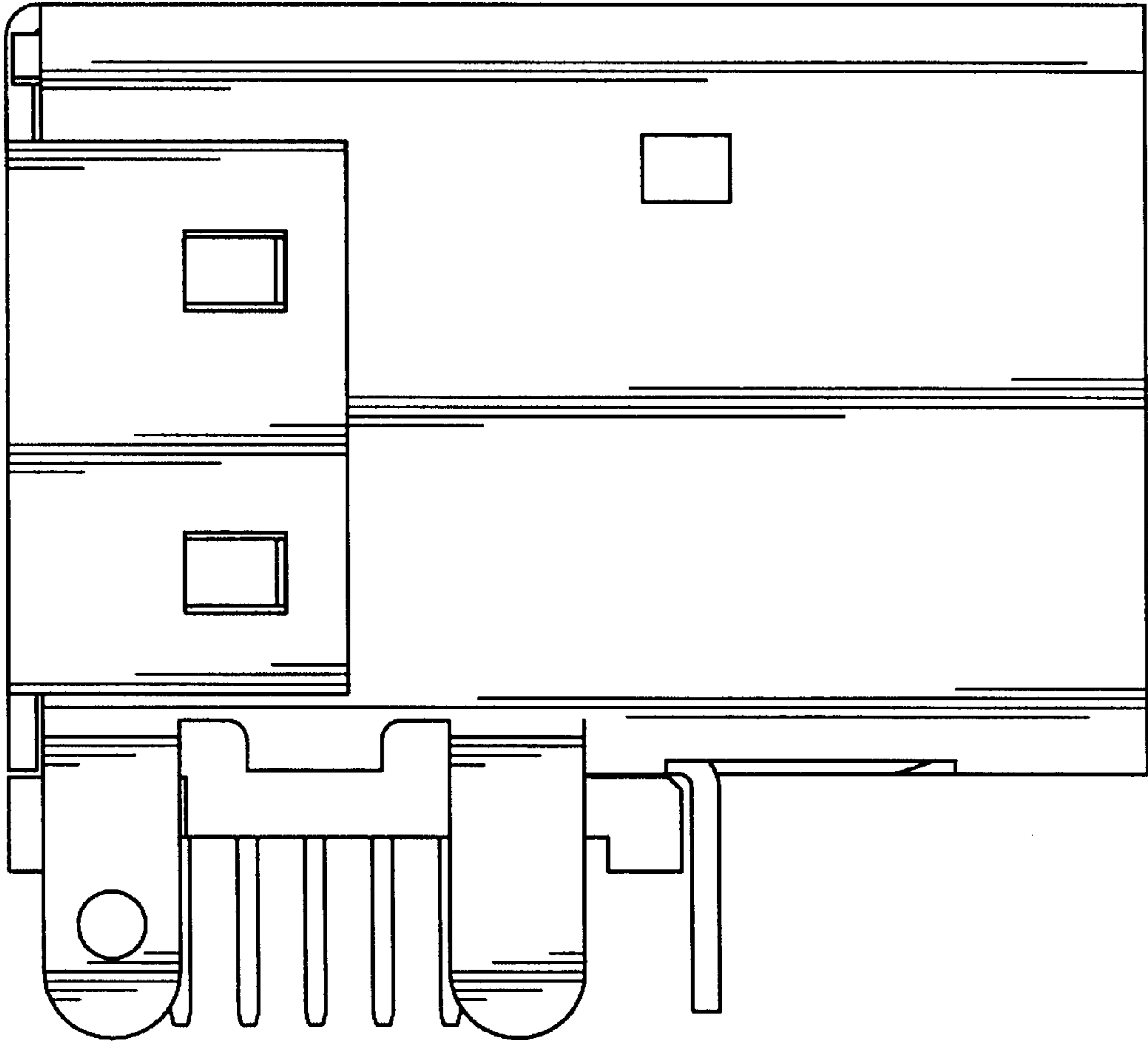


FIG. 4

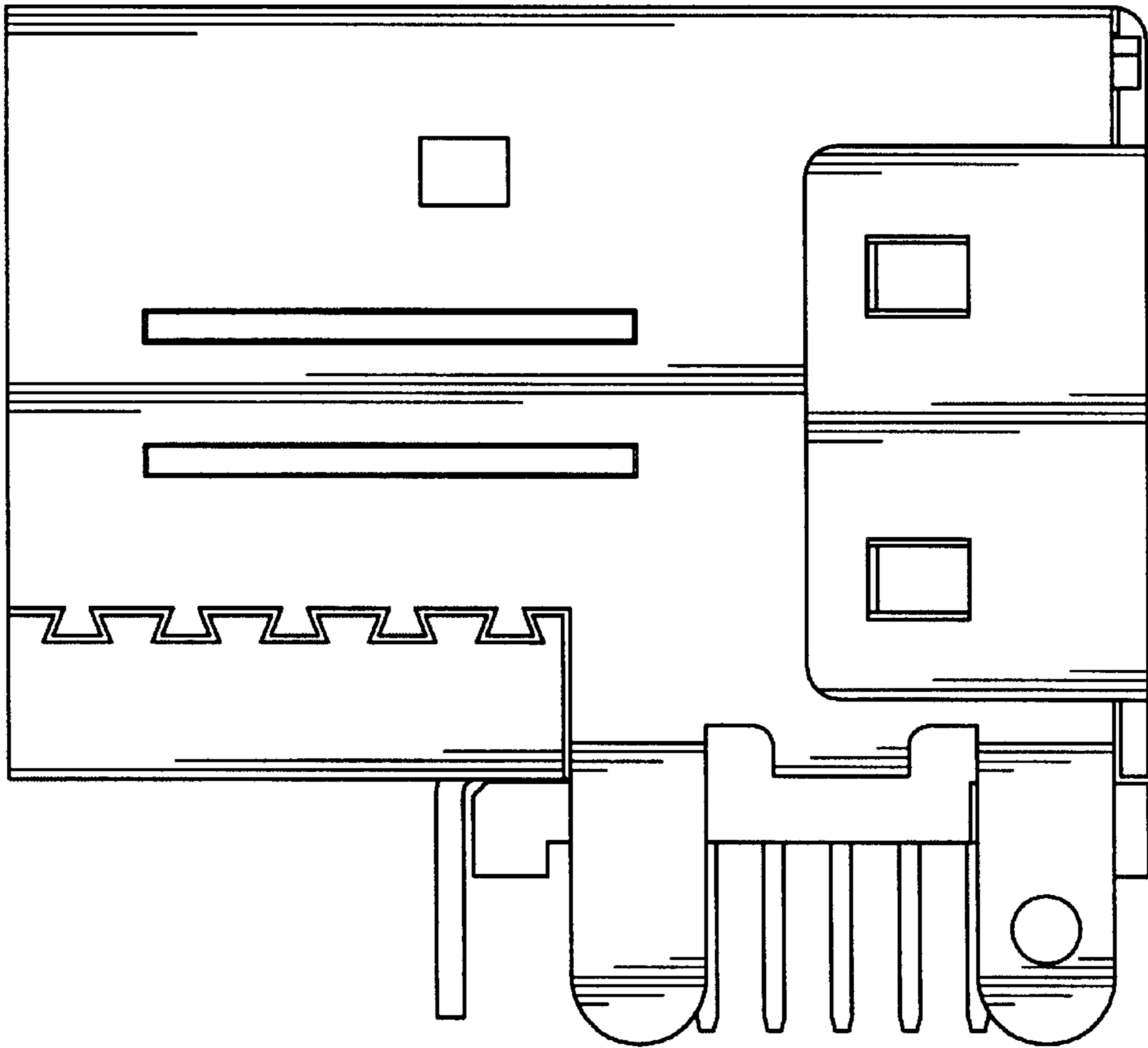


FIG. 5

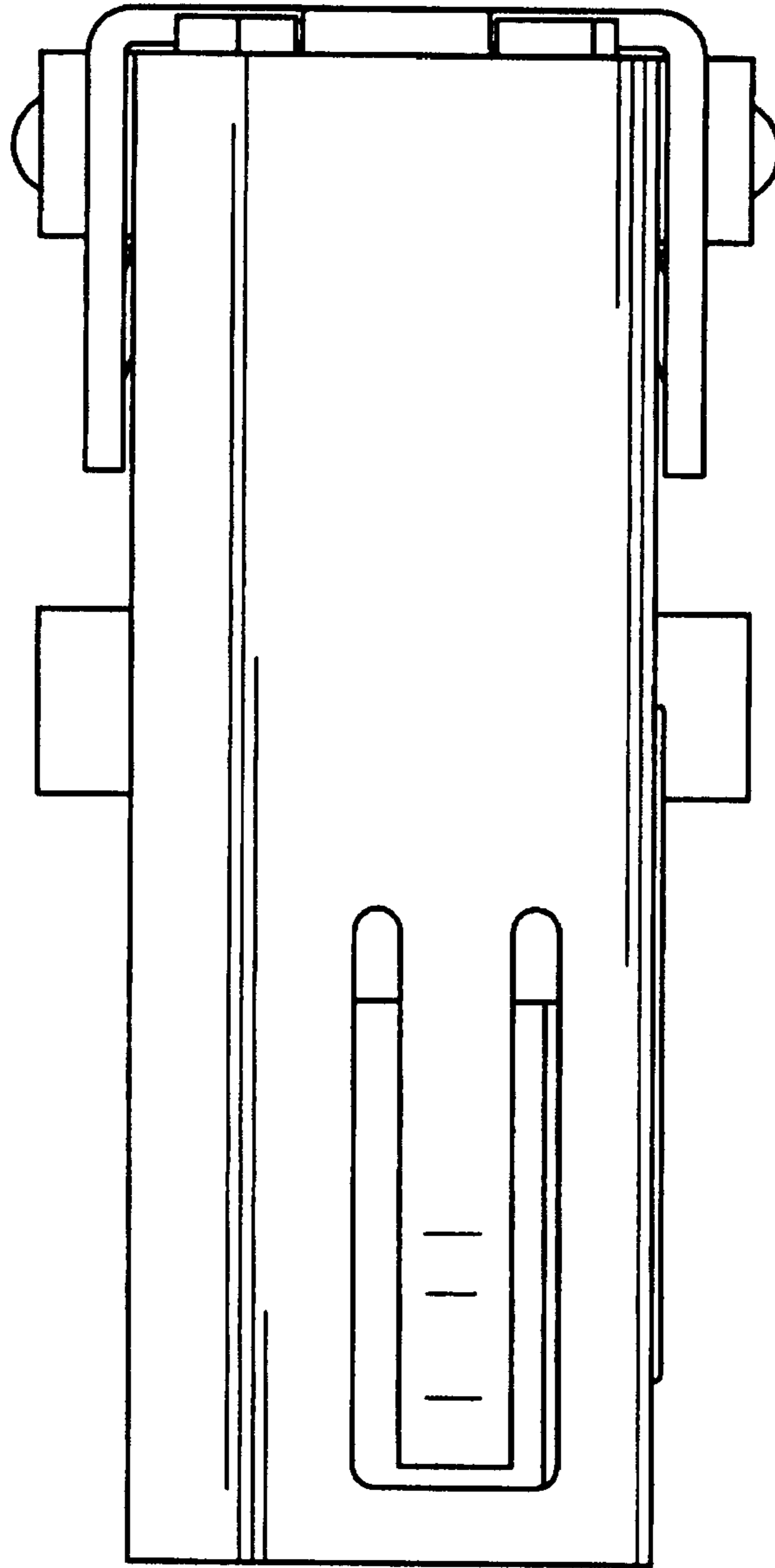


FIG. 6

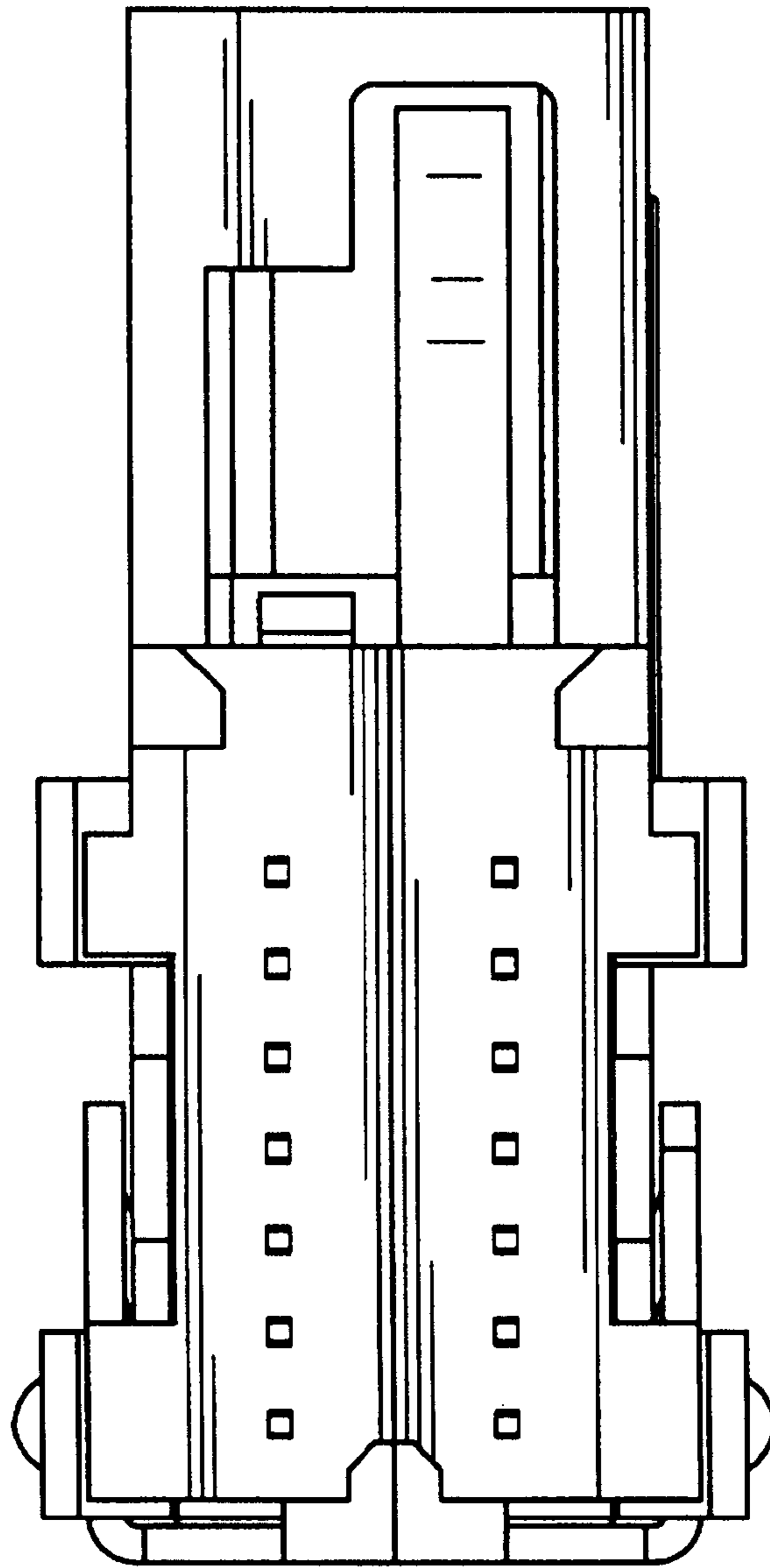


FIG. 7