



US00D466080S

(12) **United States Design Patent**
Ko

(10) **Patent No.:** **US D466,080 S**

(45) **Date of Patent:** **** Nov. 26, 2002**

(54) **LOW PROFILE COAXIAL CABLE CONNECTOR**

(75) **Inventor:** **David Tso-Chin Ko**, Thousand Oaks, CA (US)

(73) **Assignee:** **Hon Hai Precision Ind. Co., Ltd.**, Taipei Hsien (TW)

(**) **Term:** **14 Years**

(21) **Appl. No.:** **29/148,794**

(22) **Filed:** **Sep. 26, 2001**

(51) **LOC (7) Cl.** **13-03**

(52) **U.S. Cl.** **D13/147**

(58) **Field of Search** D13/147; 439/497, 439/607, 609, 660, 682

(56) **References Cited**

U.S. PATENT DOCUMENTS

- D410,897 S * 6/1999 Huang D13/147
- D454,114 S * 3/2002 Hayashi et al. D13/147
- D455,403 S * 4/2002 Yoneyama et al. D13/147

- D455,717 S * 4/2002 Hayashi et al. D13/147
- D456,777 S * 5/2002 Igarashi D13/147
- D456,778 S * 5/2002 Igarashi D13/147
- D456,779 S * 5/2002 Igarashi D13/147
- D456,780 S * 5/2002 Igarashi D13/147

* cited by examiner

Primary Examiner—Joel Sincavage

(74) *Attorney, Agent, or Firm*—Wei Te Chung

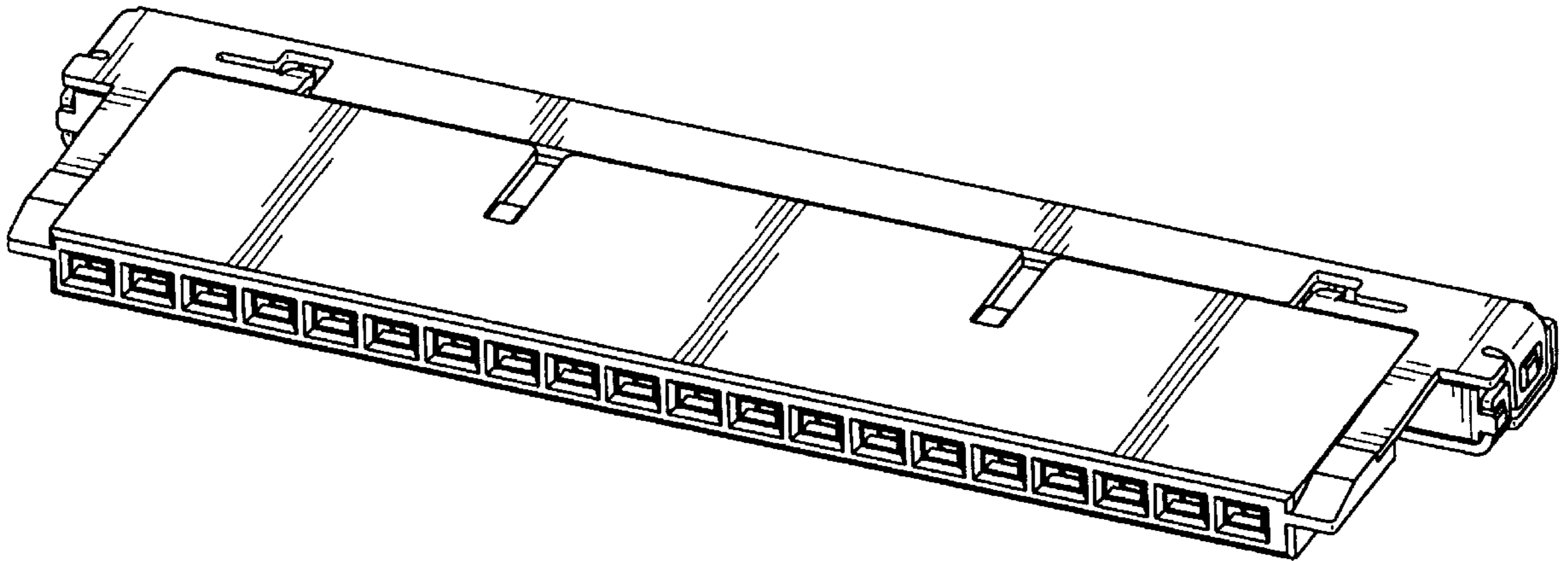
(57) **CLAIM**

The ornamental design for a low profile coaxial cable connector, as shown.

DESCRIPTION

FIG. 1 is a front, top and right side perspective view of a low profile coaxial cable connector showing my new design; FIG. 2 is a front elevational view thereof; FIG. 3 is a rear elevational view thereof; FIG. 4 is a left side elevational view thereof; FIG. 5 is a right side elevational view thereof; FIG. 6 is a top plan view thereof; and, FIG. 7 is a bottom plan view thereof.

1 Claim, 5 Drawing Sheets



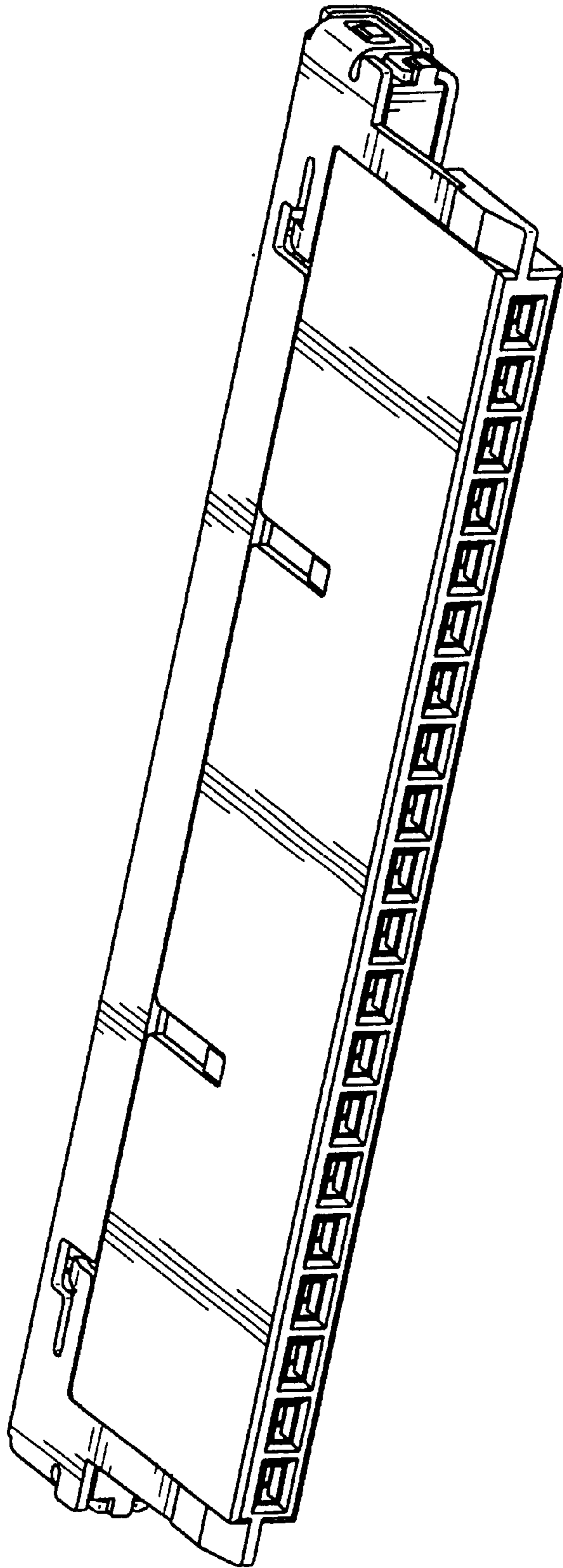


FIG. 1



FIG. 2

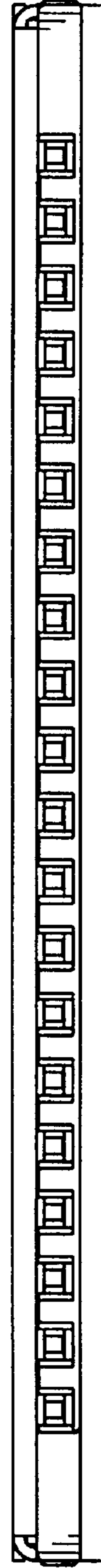


FIG. 3

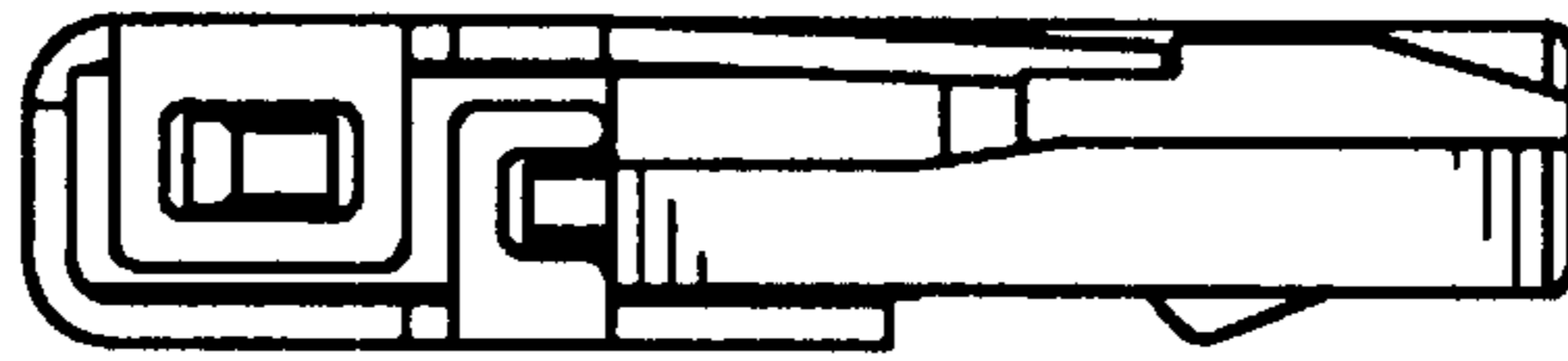


FIG. 4

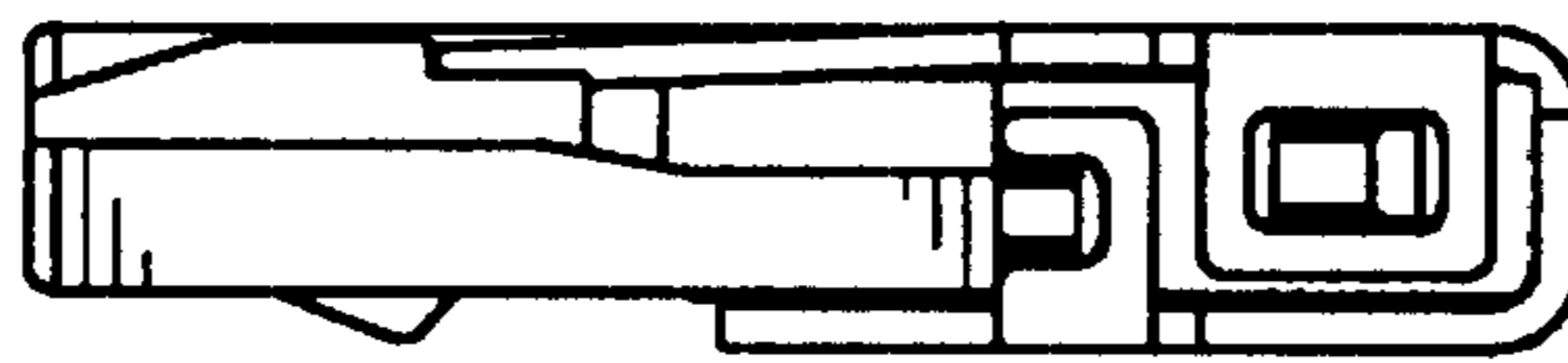


FIG. 5

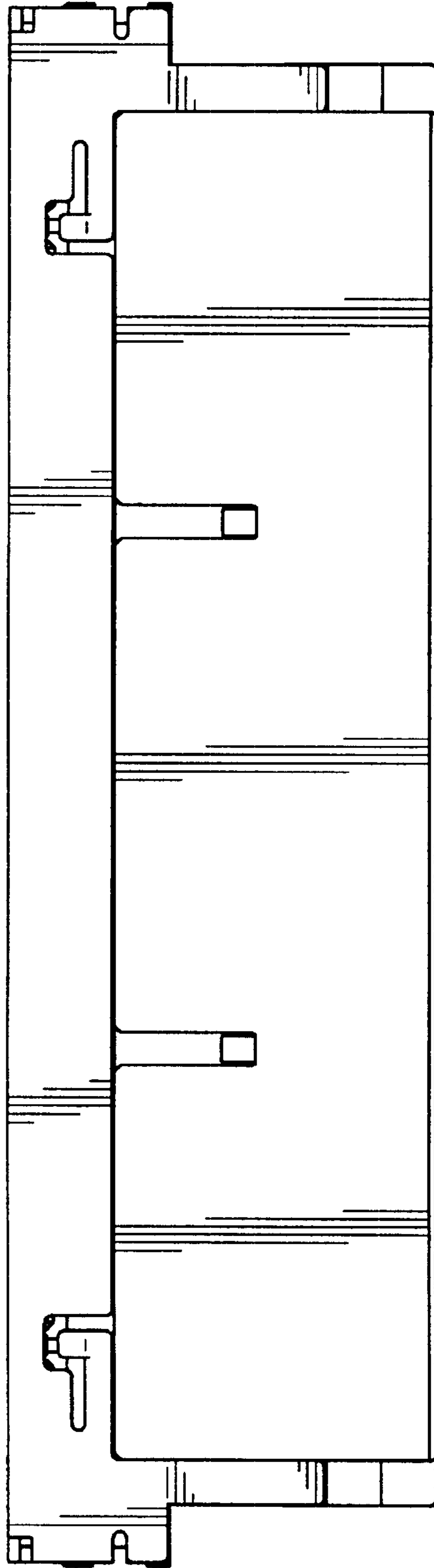


FIG. 6

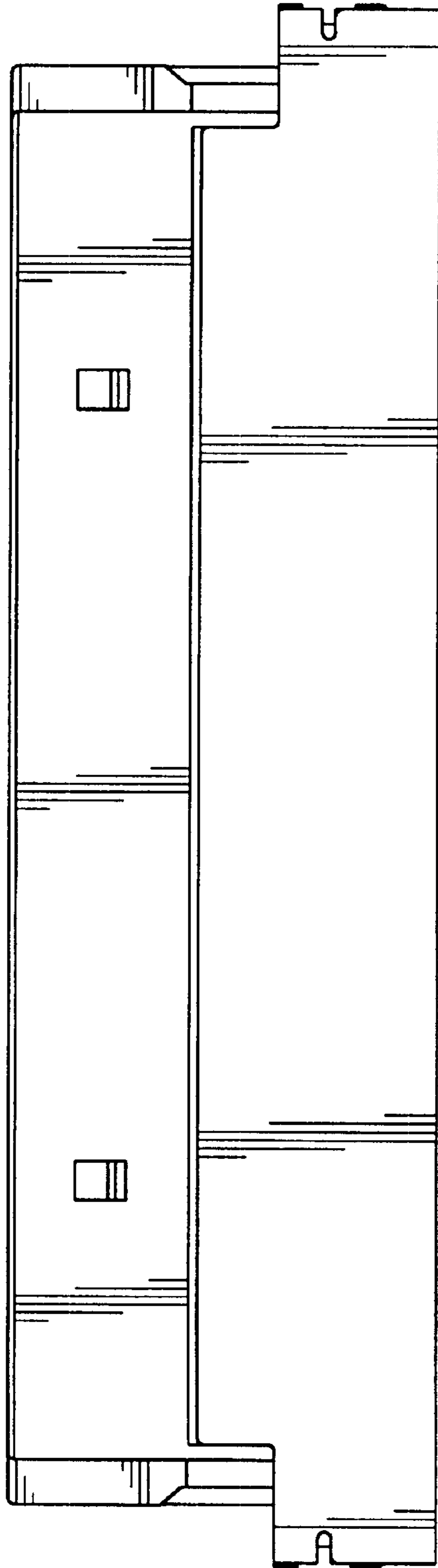


FIG. 7